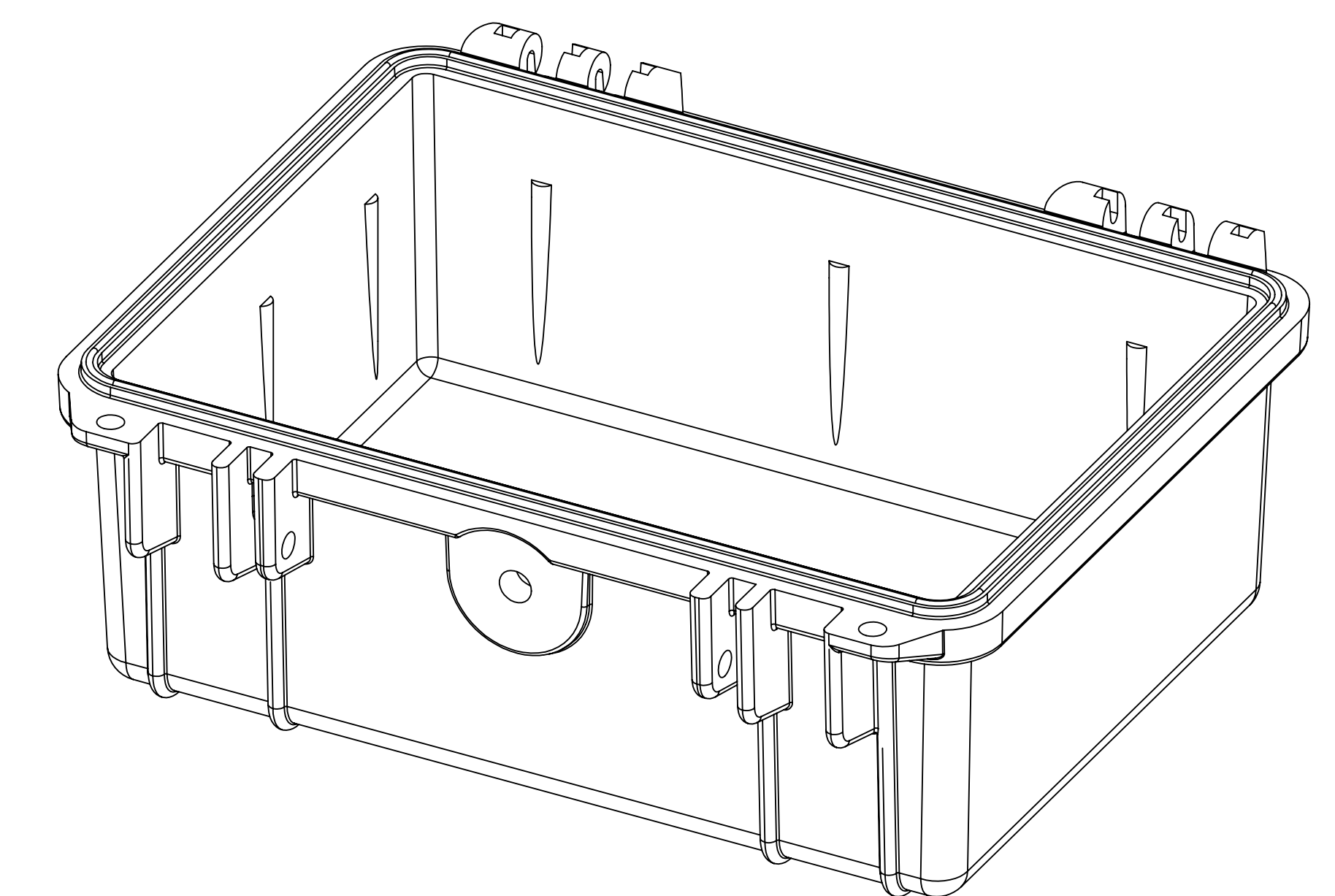
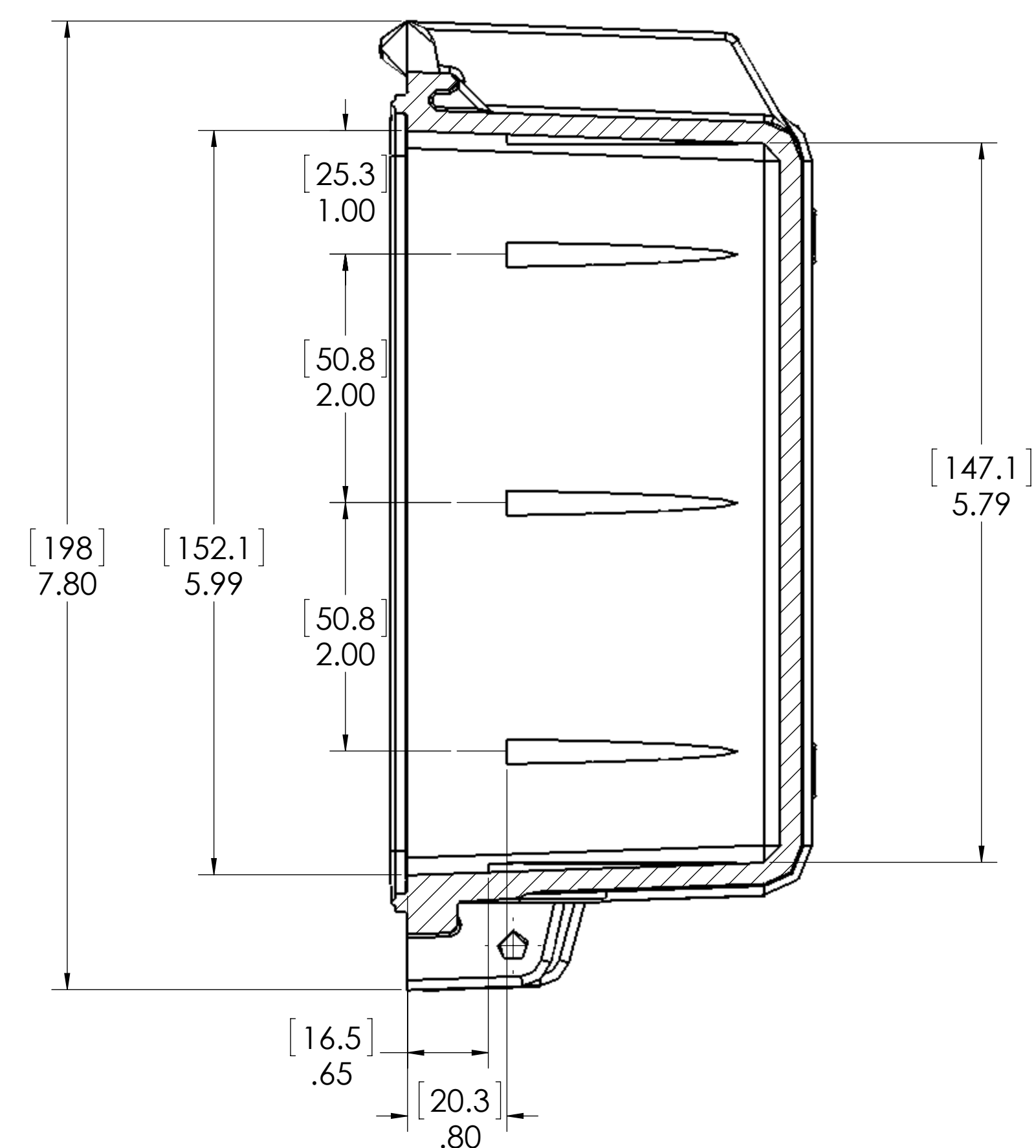
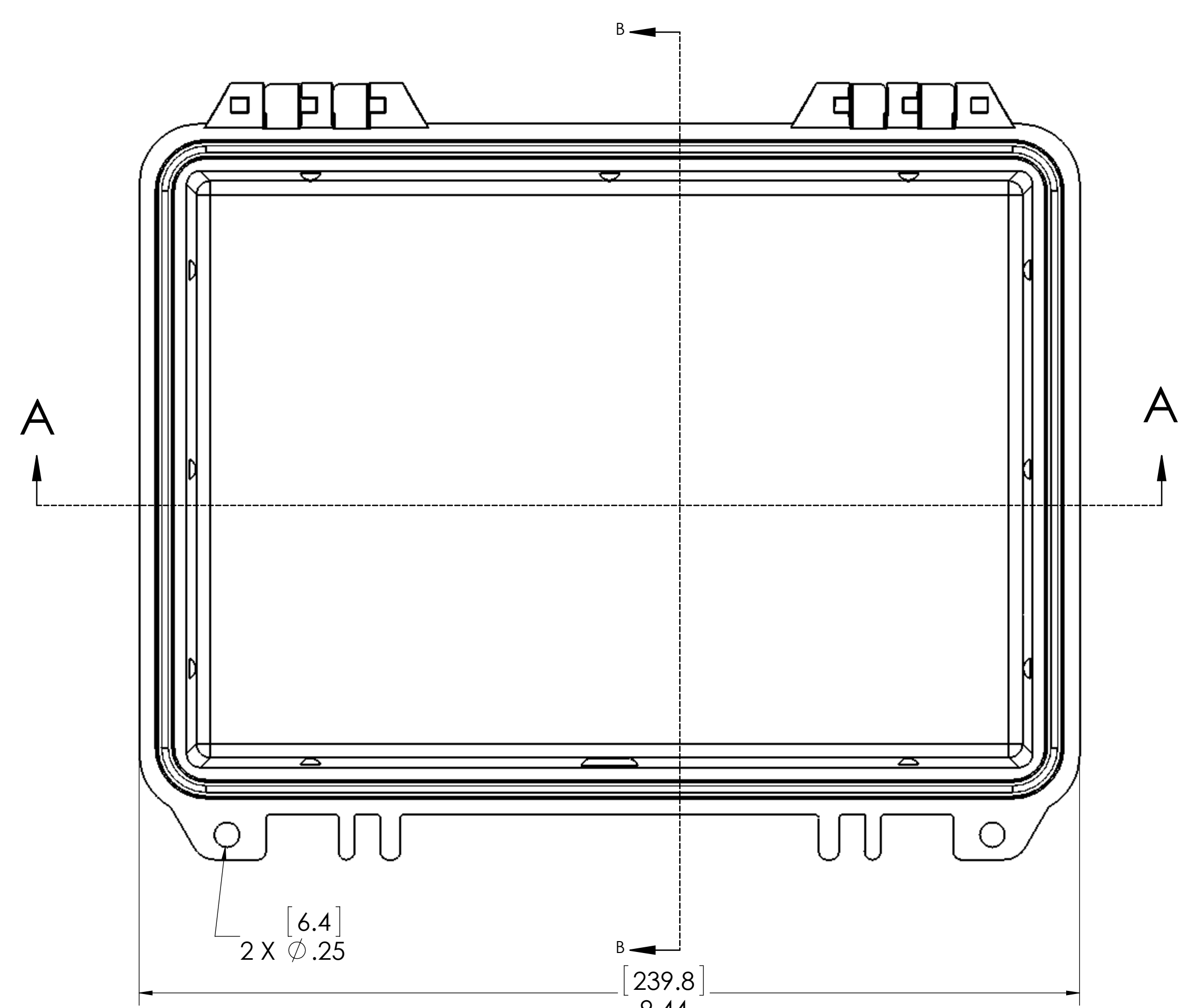
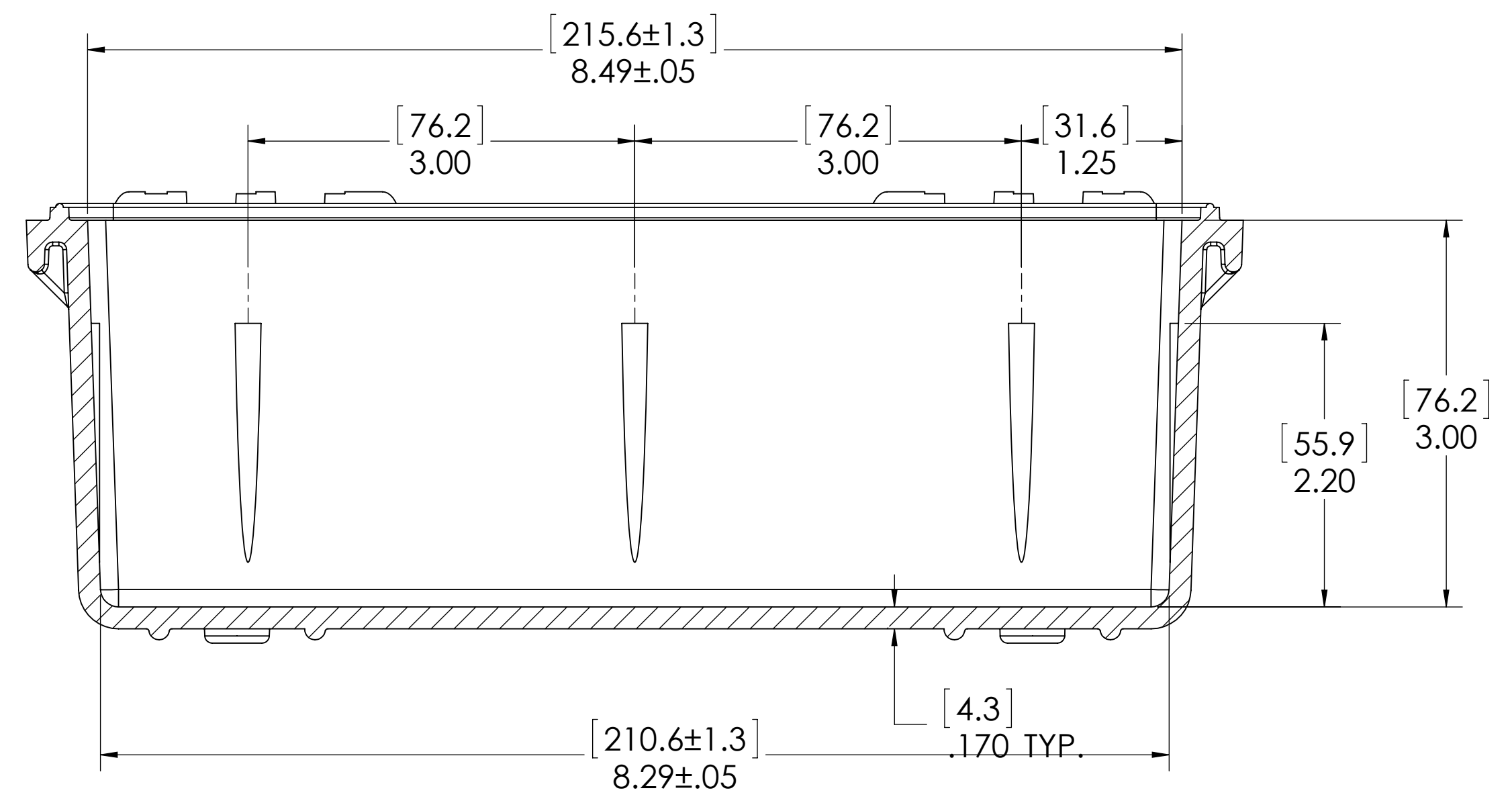


REVISIONS			
REV.	DESCRIPTION	DATE	APPROVED
A	DRAWING RELEASE	11/14/15	MH




SECTION B-B



SECTION A-A

TOLERANCE BLOCK			
INCHES	.XX	<10.00	±.03
		>10.00	±.003 PER INCH
	.XXX		±.005
ANGLES	∠°		±.25°

 <p>PELICAN You break it, we replace it... forever.</p>	APPROVALS: [] DATE: [] DESIGN: XX XXXX CHECKED: [] APPROVED: []	PELICAN PRODUCTS INC. 23215 EARLY AVE., TORRANCE, CA 90505 (310) 326-4700 TITLE: 1150 BASE
	SIZE: D SCALE: 1:1 DRAWING NO.: 1151-932B-CLR REV: A	DO NOT SCALE DRAWING SHEET 1 OF 1