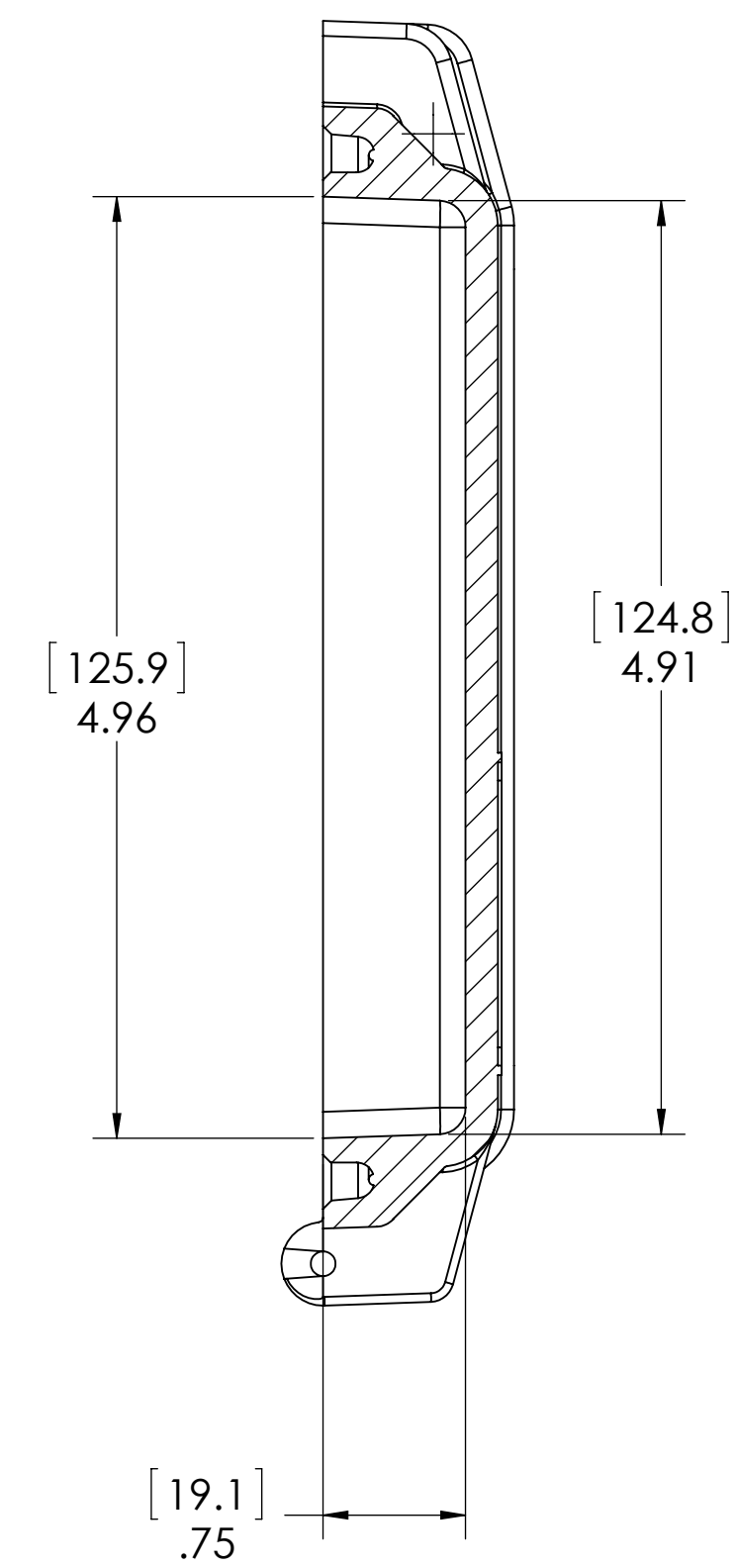
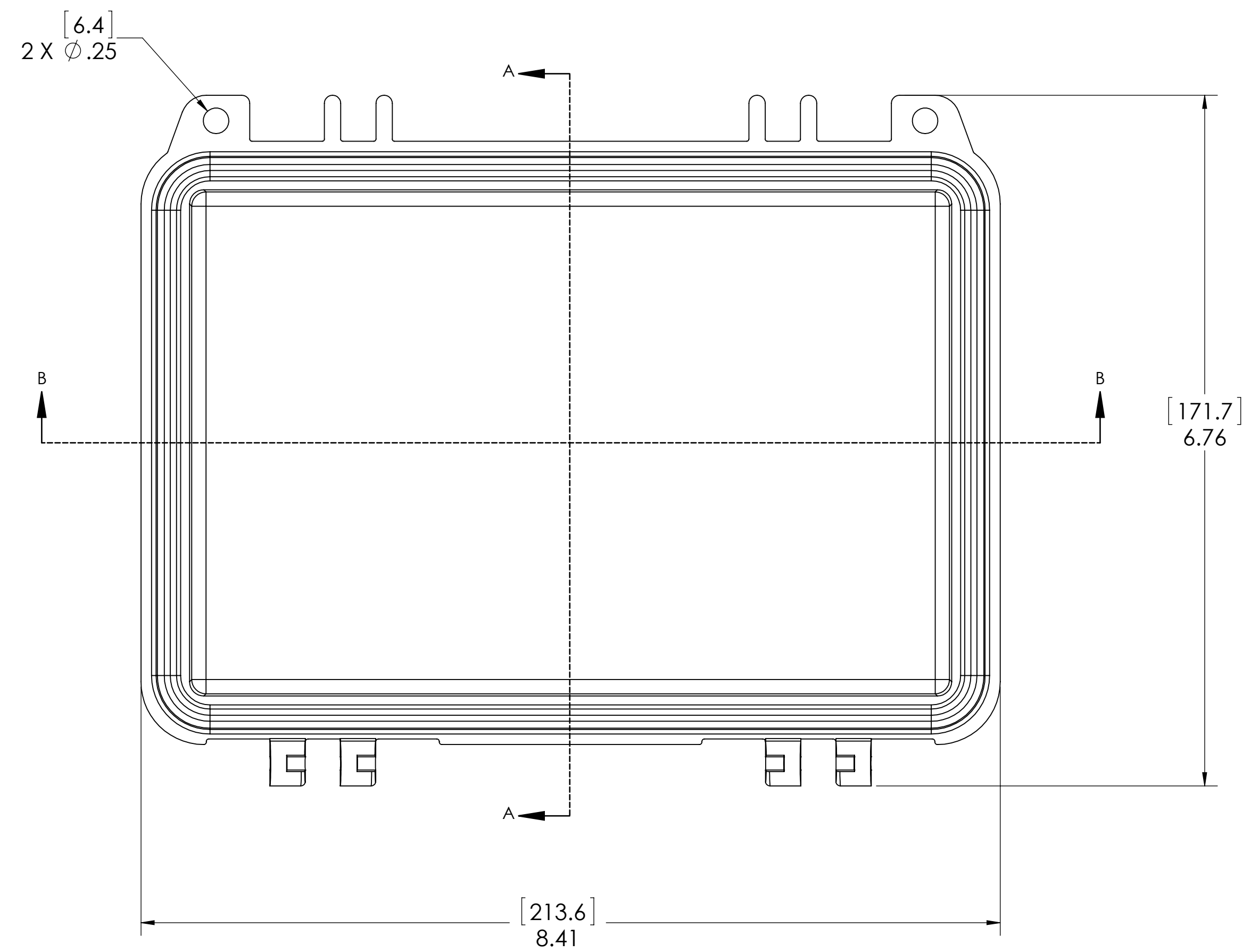
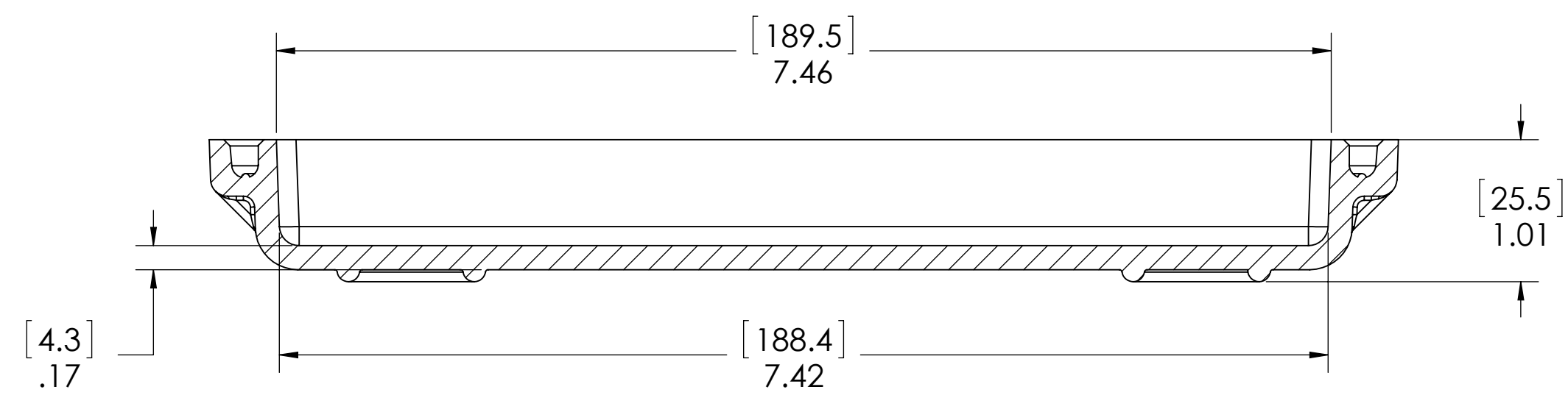
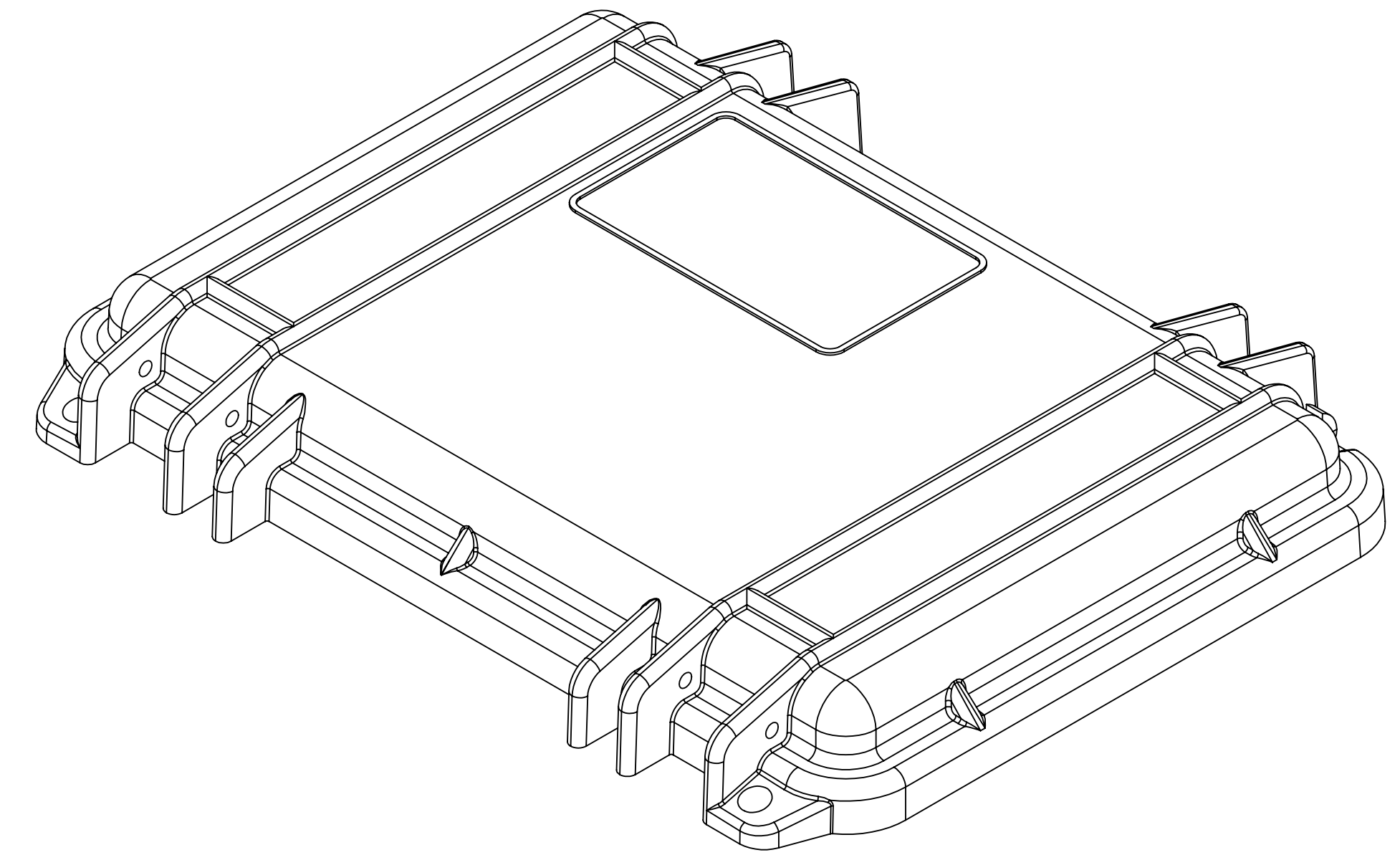


REVISIONS			
REV.	DESCRIPTION	DATE	APPROVED
A	DRAWING RELEASE	11/14/15	MH



SECTION A-A



SECTION B-B

TOLERANCE BLOCK			
INCHES	.XX	<10.00	±.03
		>10.00	±.003 PER INCH
	.XXX		±.005
ANGLES	∠°		±.25°



This Drawing contains information proprietary to Pelican Products Inc. any reproduction disclosure or use of this drawing requires written permission of Pelican Products Inc.

DESIGN	XX	XXXX	APPROVALS	DATE	<b>PELICAN PRODUCTS INC.</b> 23215 EARLY AVE., TORRANCE, CA 90505 (310) 326-4700	
CHECKED					TITLE 1120 TOP	
APPROVED					SIZE	D
			SCALE	1:1	DRAWING NO.	1121-932T-CLR
			REV	A	DO NOT SCALE DRAWING	
					SHEET	1 OF 1