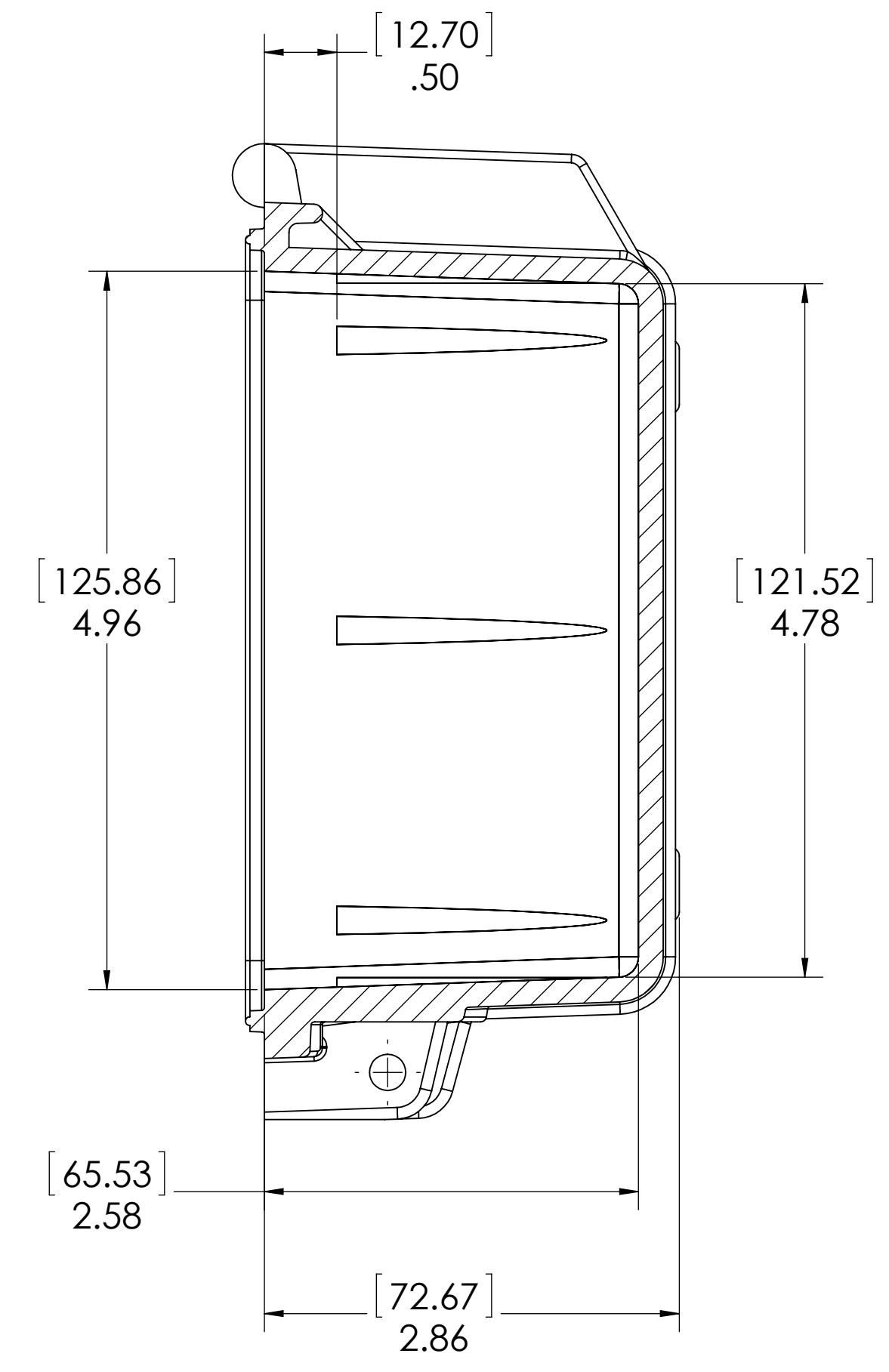
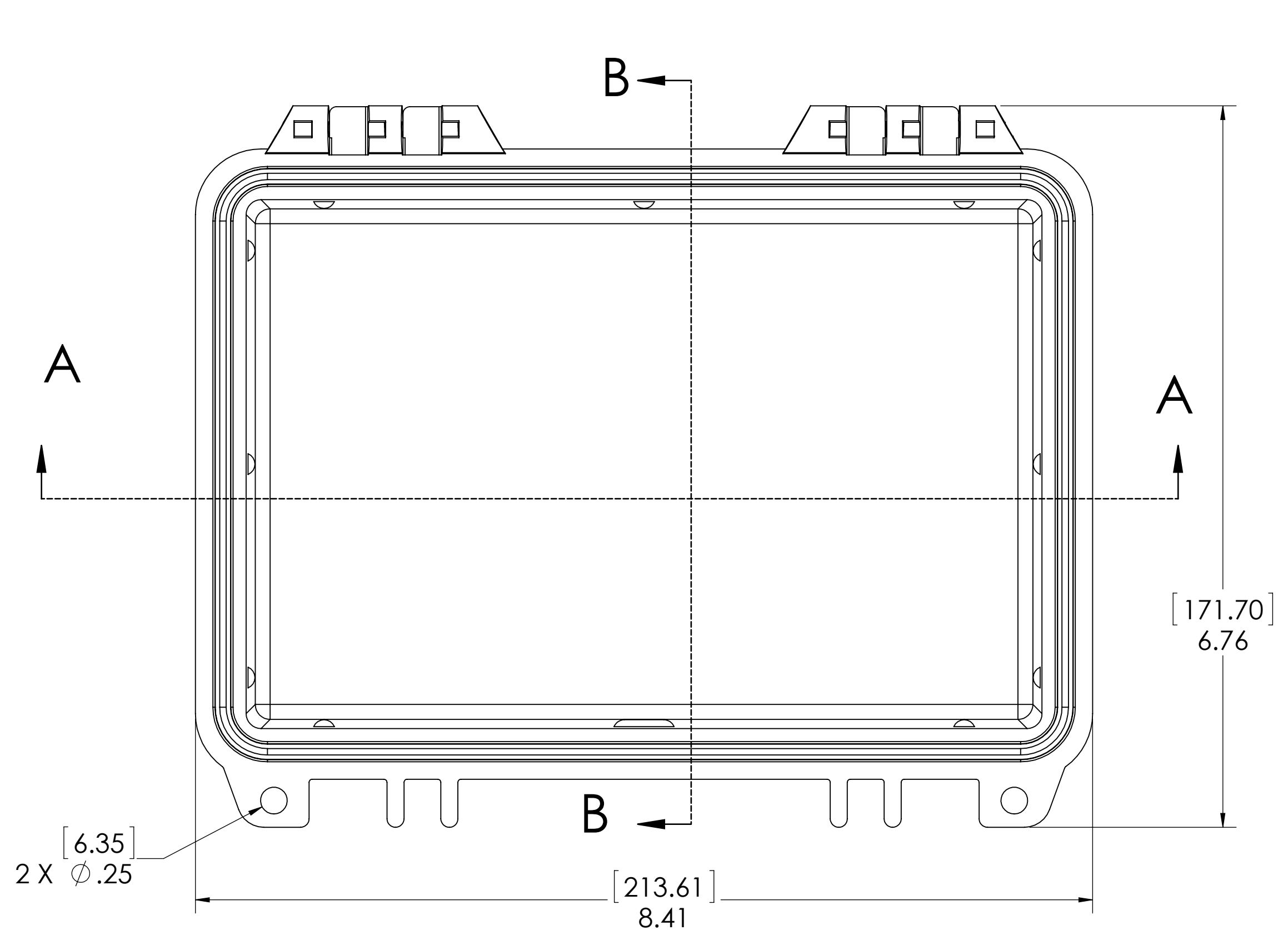
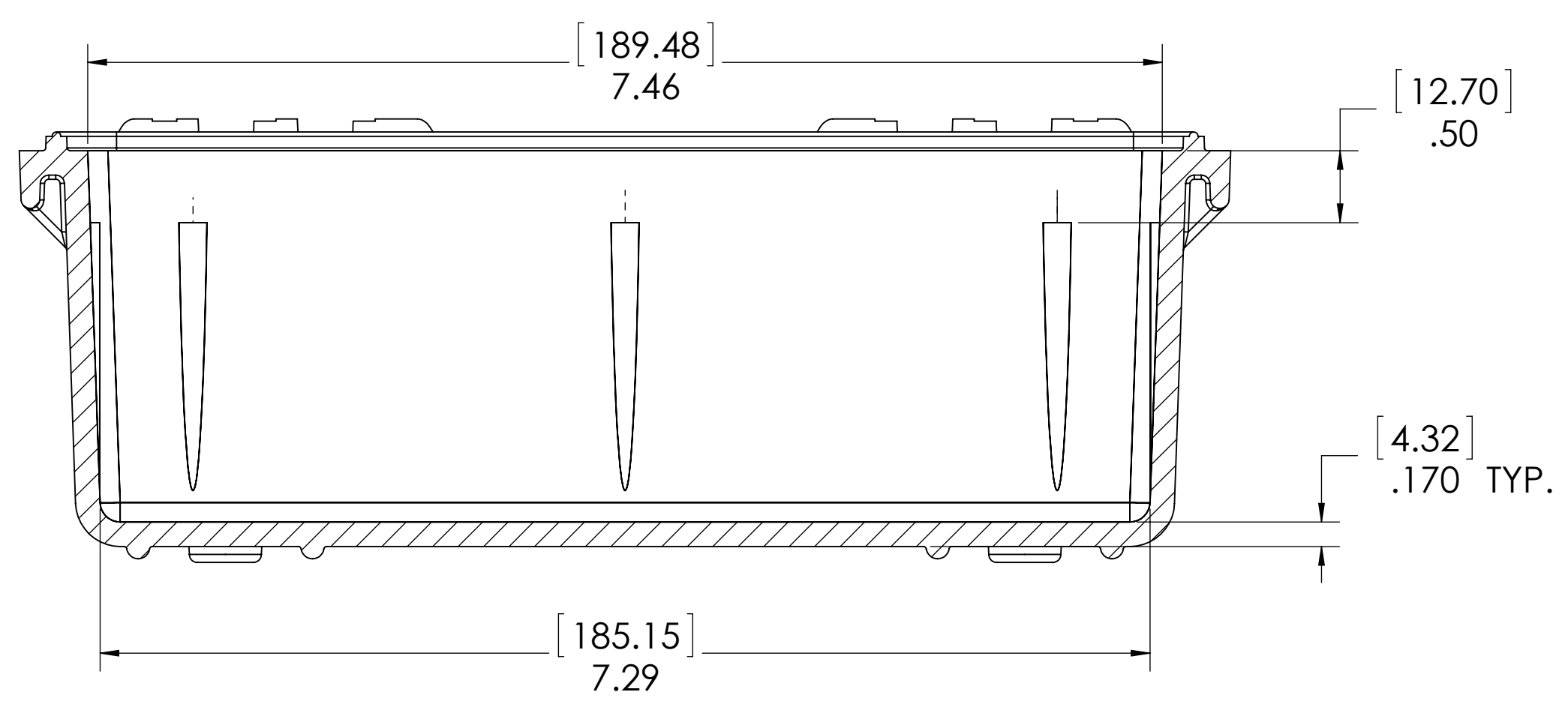
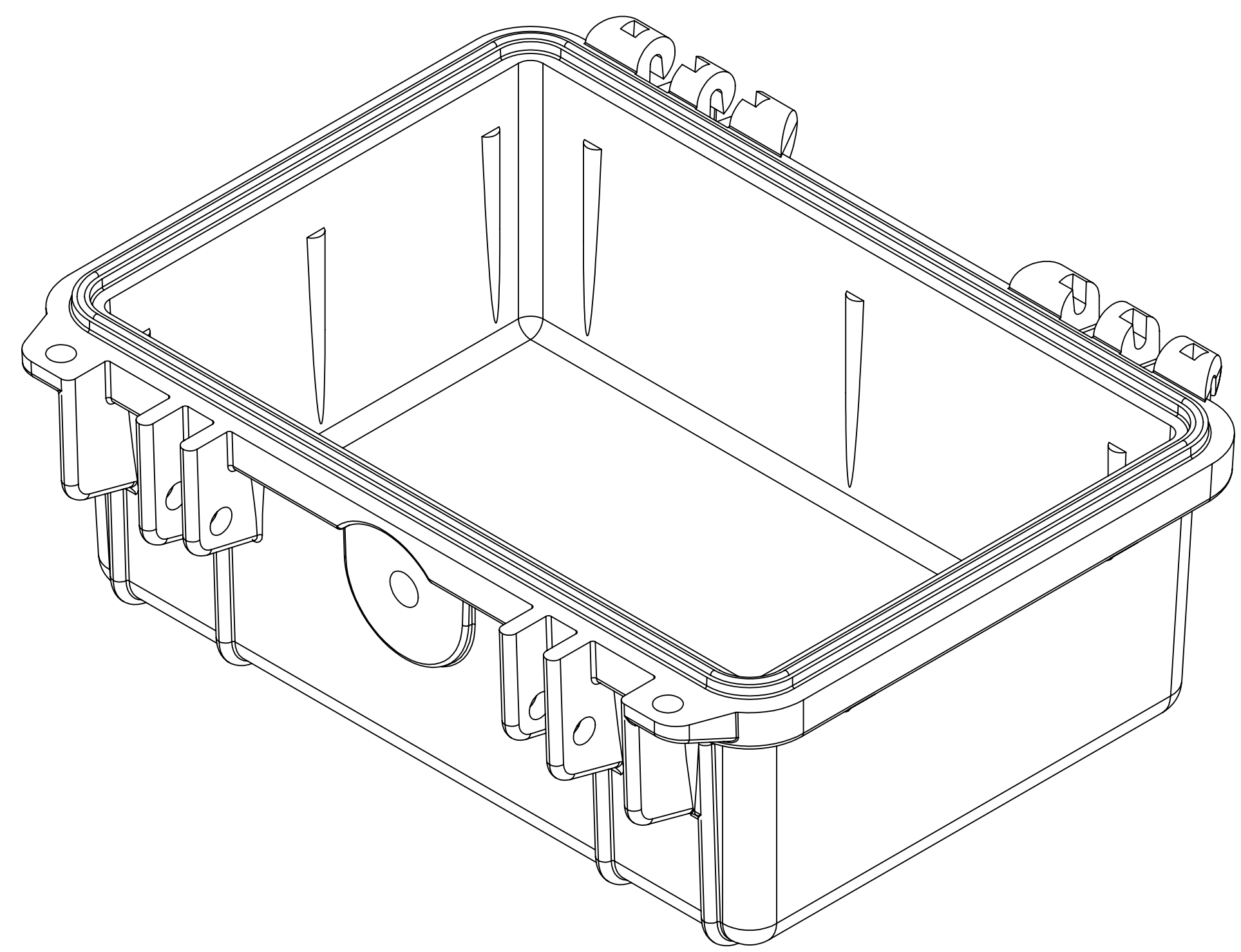


REVISIONS			
REV.	DESCRIPTION	DATE	APPROVED
A	DRAWING RELEASE	11/14/15	MH



SECTION B-B



SECTION A-A

TOLERANCE BLOCK			
INCHES	.XX	<10.00	±.03
		>10.00	±.003 PER INCH
	.XXX		±.005
ANGLES	∠°		±.25°



DESIGN	XX	XXXX	APPROVALS	DATE	PELICAN PRODUCTS INC. 23215 EARLY AVE., TORRANCE, CA 90505 (310) 326-4700	
CHECKED					TITLE 1120 BOTTOM	
APPROVED					SIZE	D
			SCALE	1:1	DRAWING NO.	1121-932B-CLR
					REV	A
DO NOT SCALE DRAWING						SHEET 1 OF 1

This Drawing contains information proprietary to Pelican Products Inc. any reproduction disclosure or use of this drawing requires written permission of Pelican Products Inc.