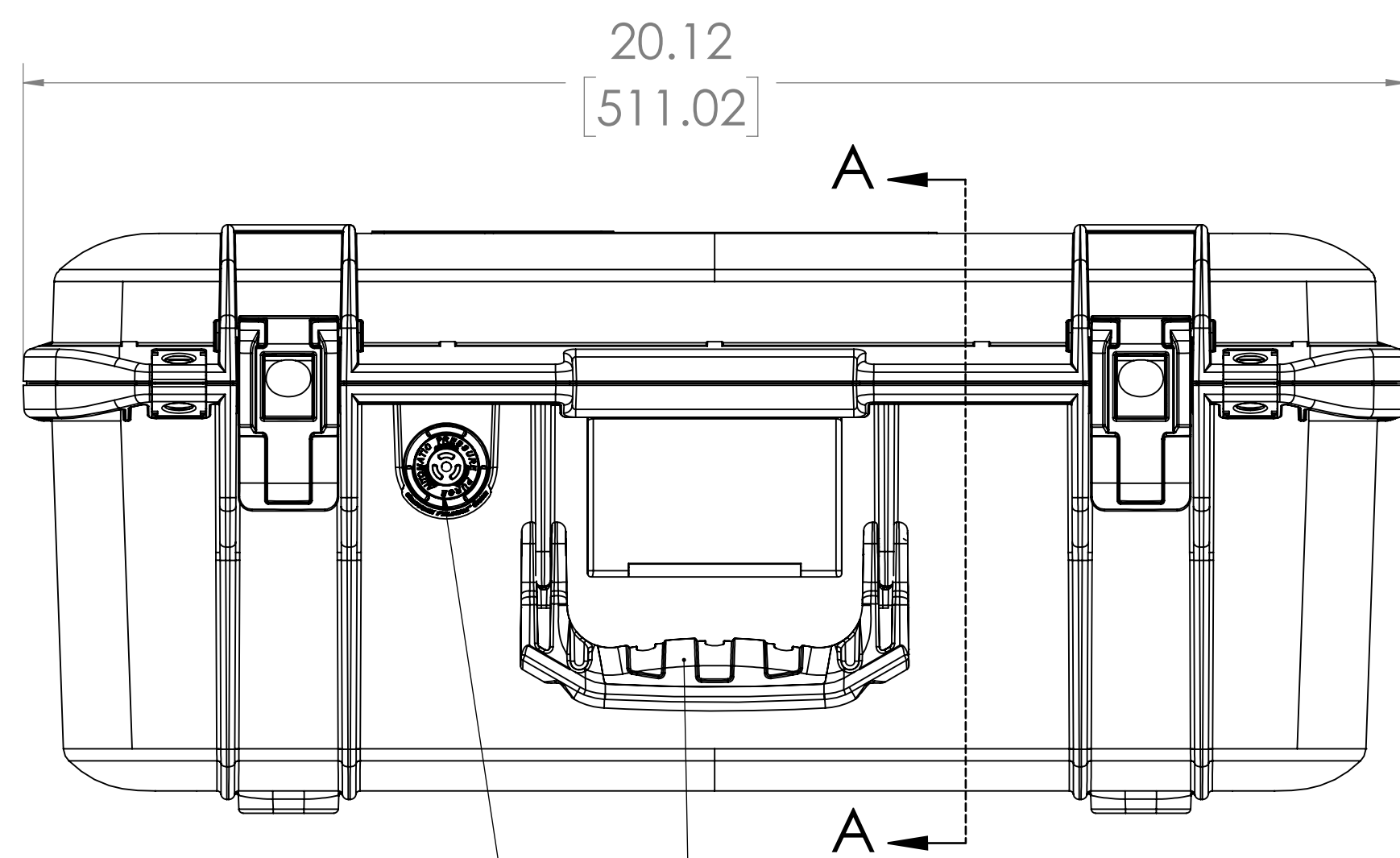
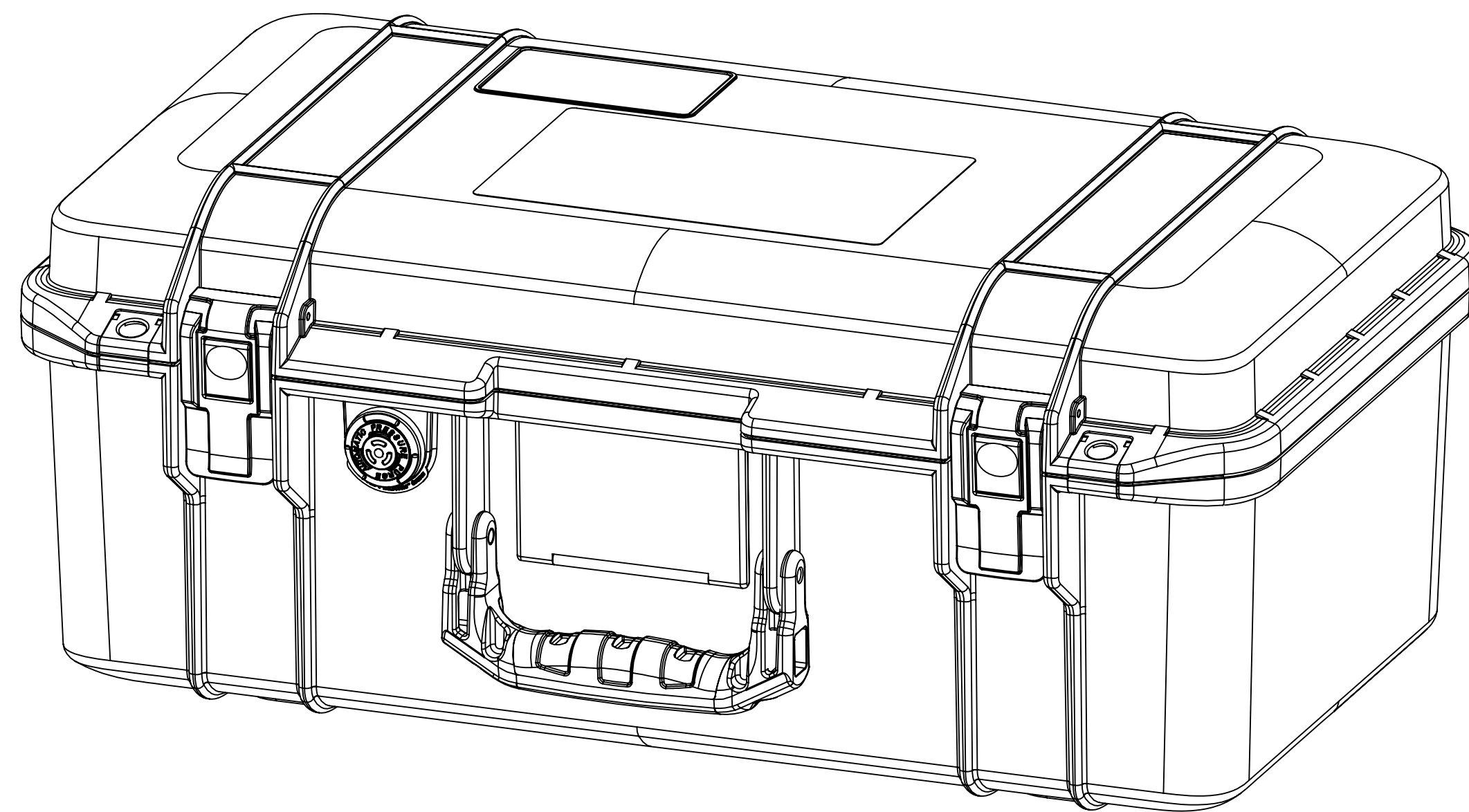


LOCK PROTECTOR
FITS 3/8" HASP LENGTH

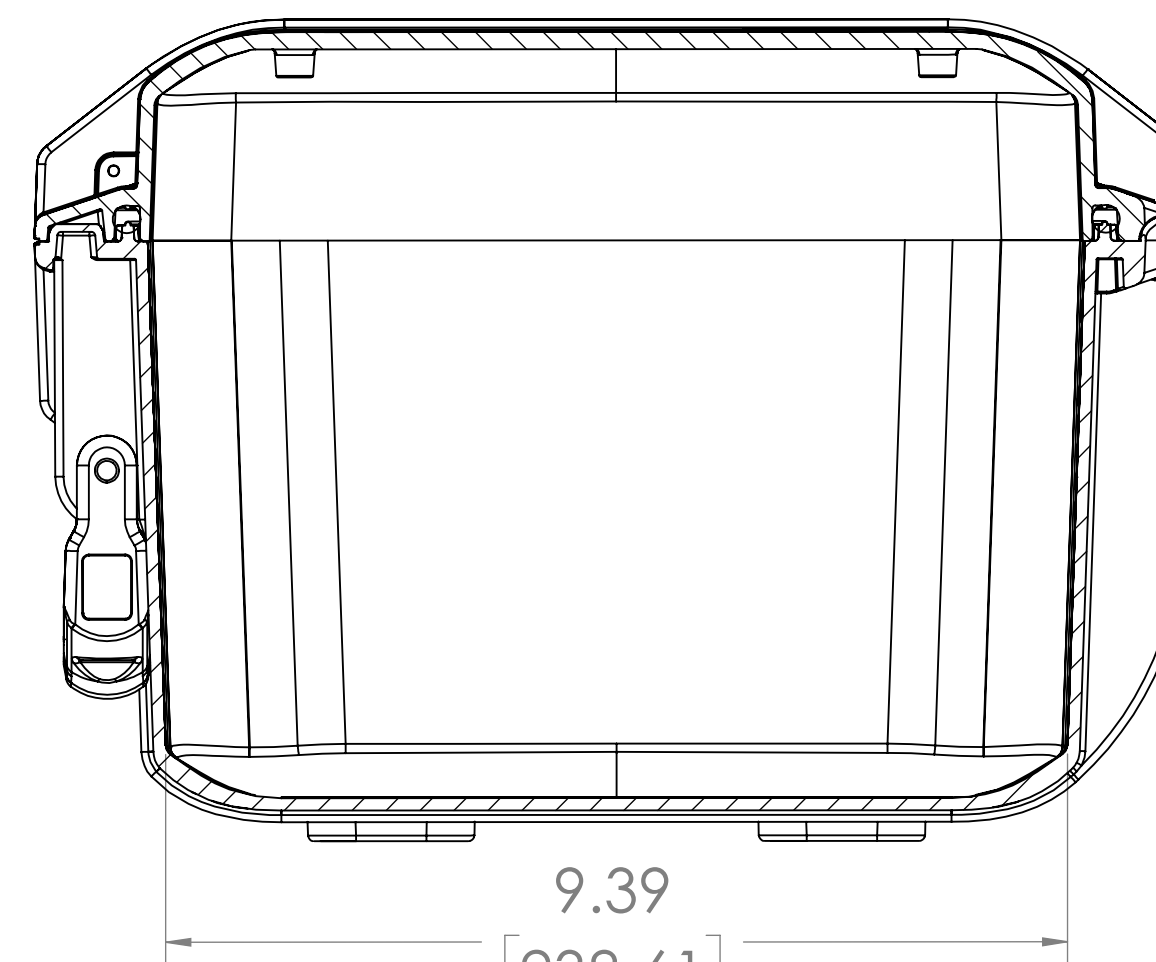
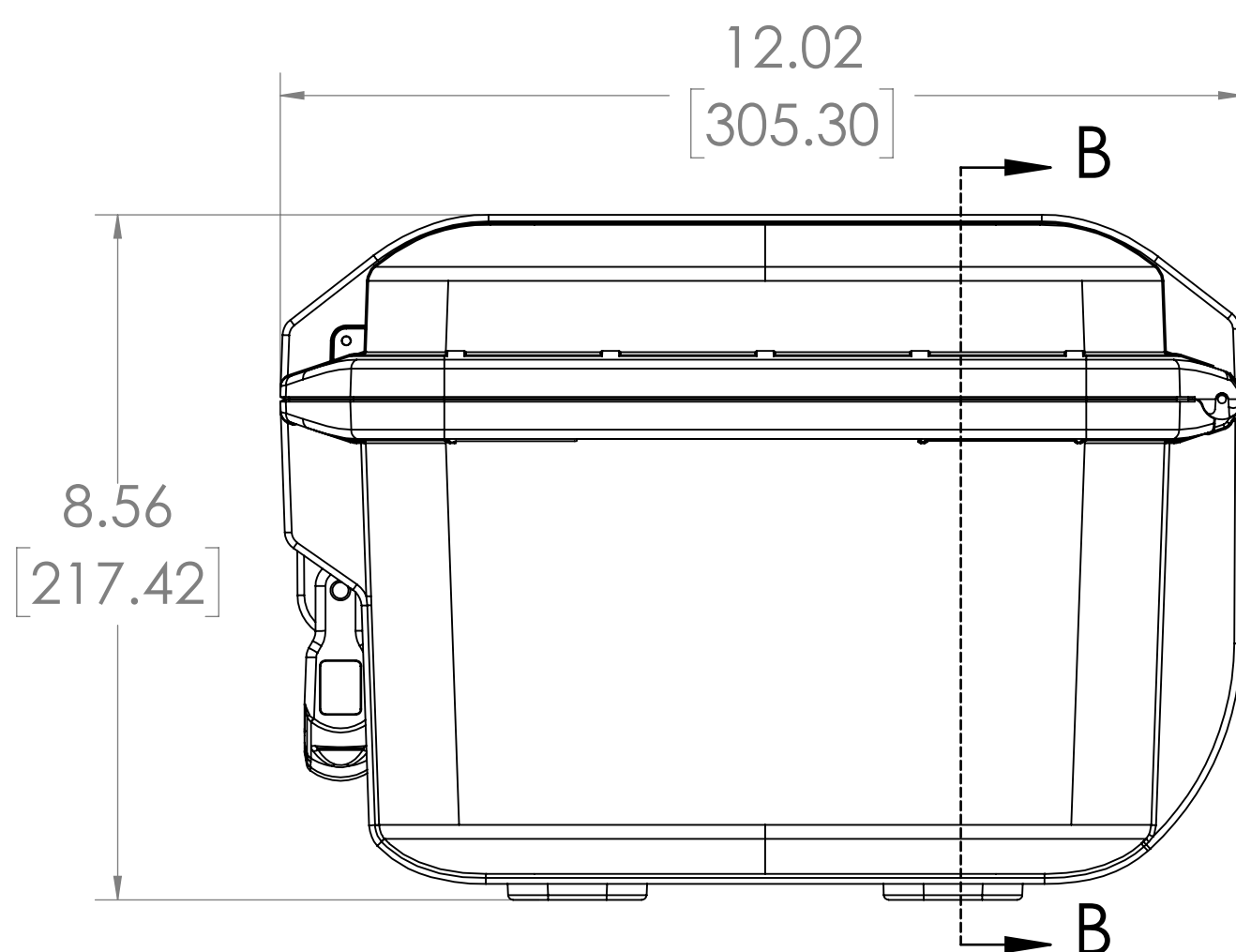
MINIMUM HASP LENGTH

SECTION C-C
SCALE 2:1

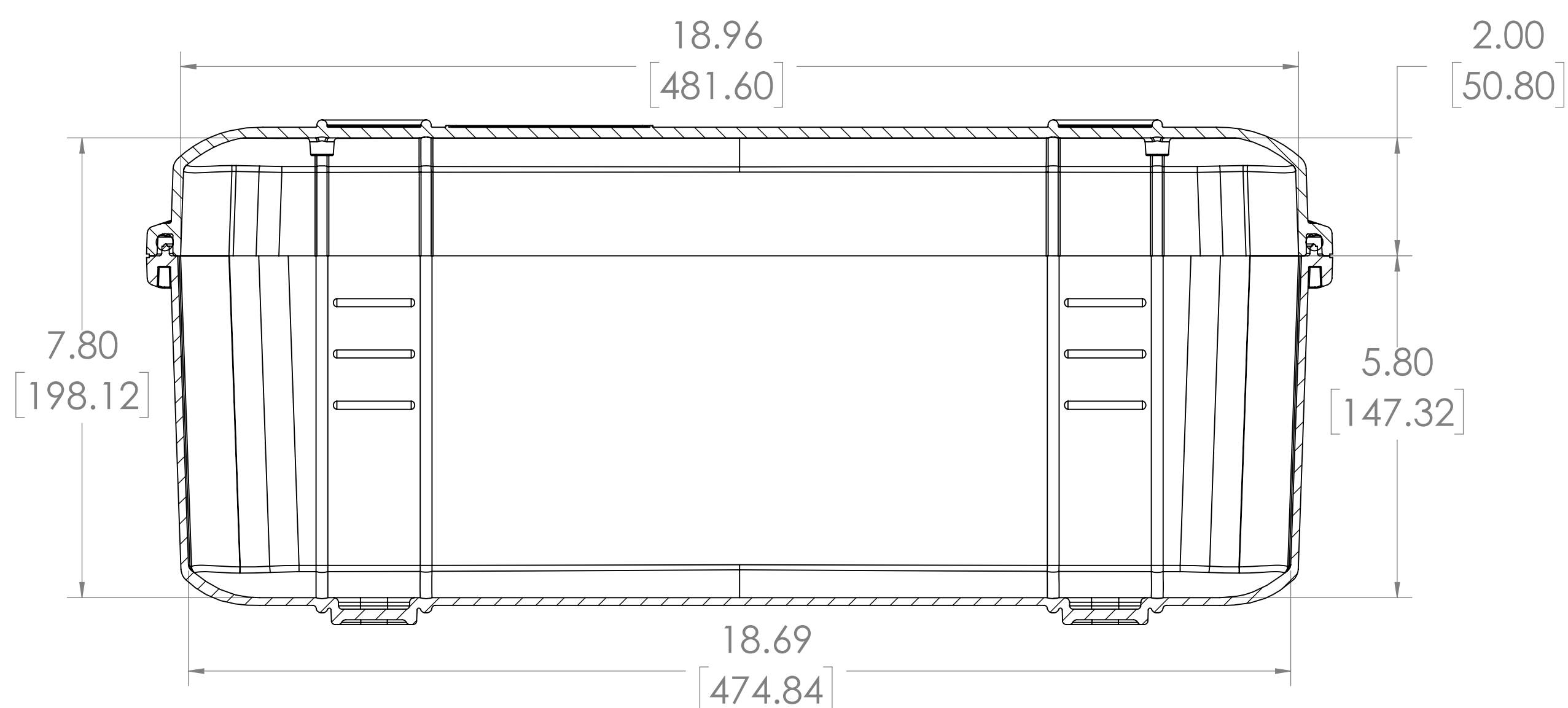


AUTOMATIC PRESSURE
EQUALIZATION VALVE

SOFT TOUCH
OVERMOLDED HANDSLE



SECTION A-A



SECTION B-B

NOTES:

1. DIMENSIONS ARE FOR REFERENCE ONLY; TYPICAL INDUSTRY-STANDARD TOLERANCES APPLY
2. DIMENSIONS ARE IN: INCHES [mm]
3. REFER TO PELICAN.COM FOR CURRENT INFORMATION ON COLORS, CONFIGURATIONS, AND ACCESSORIES.



DATE 2.26.19 23215 EARLY AVE., TORRANCE, CA 90505 (310) 326-4700

1506 AIR CASE
CUSTOMER DRAWING

This Drawing contains information proprietary to Pelican Products Inc. Any reproduction, disclosure or use of this drawing requires written permission of Pelican Products Inc.