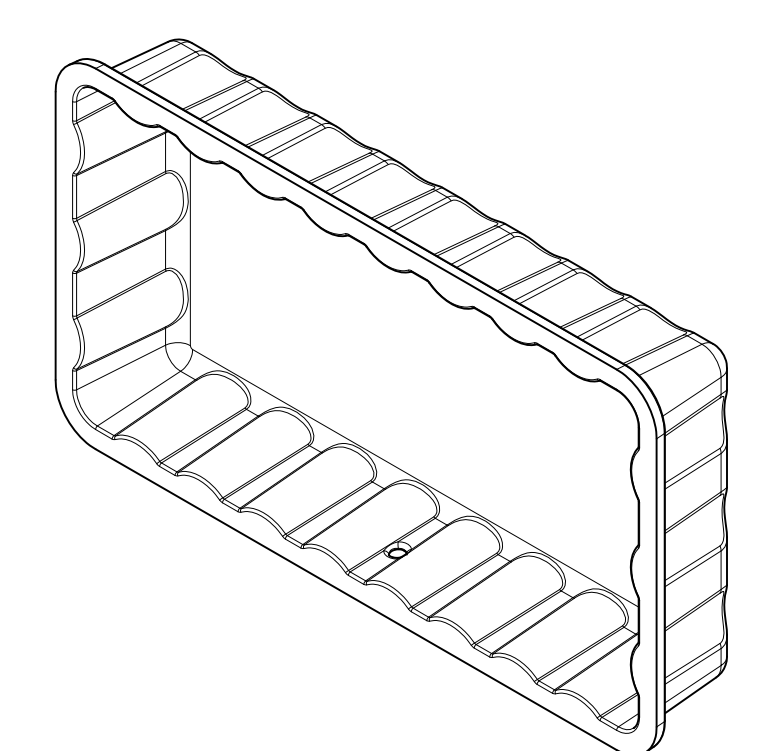
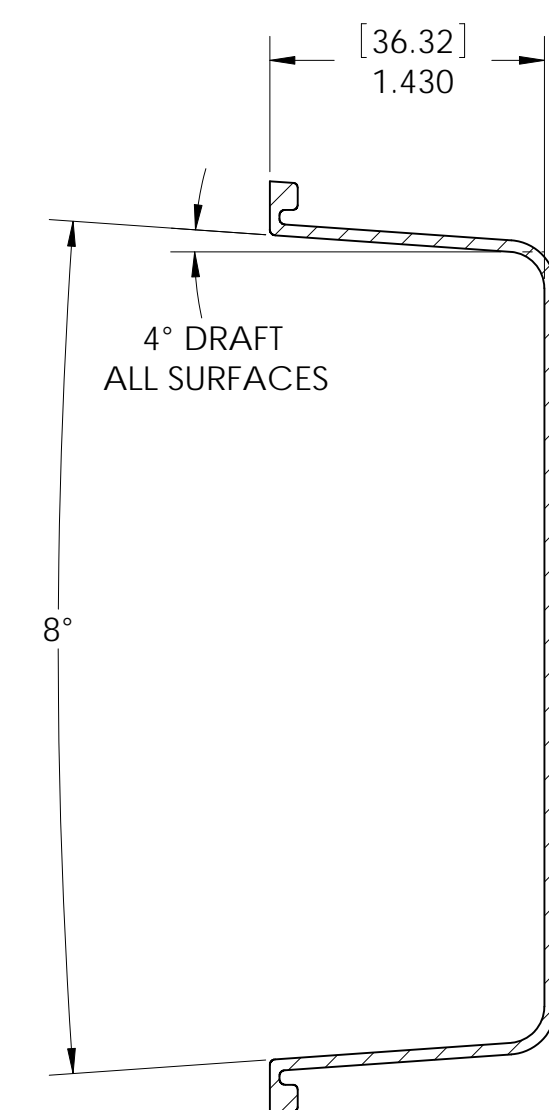
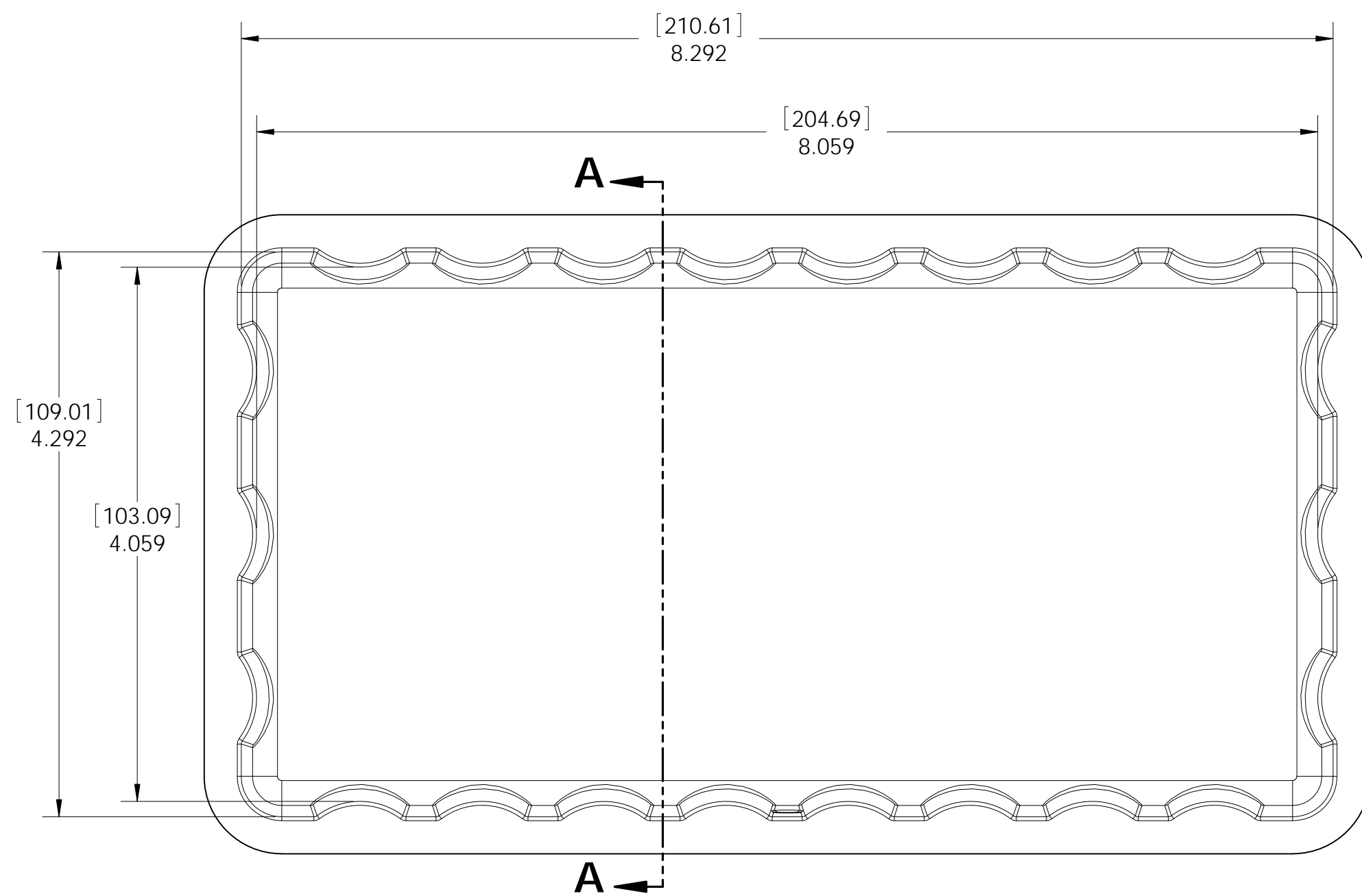


REVISIONS					
REV.	DESCRIPTION	ECO	DATE	DRAFTER	APPROVED
PR	RELEASE OEM DRAWING		10/27/08	E.L.	B.T.



SECTION A-A

2. LINER GEOMETRY ONLY. (LINER IS INSERTED IN CASE BOTTOM).
1. ALL DIMENSIONS ARE TO INTERNAL GEOMETRY OF CASE LINER ONLY.
- NOTES: UNLESS OTHERWISE SPECIFIED

<p>PELICANTM You break it, we replace it... forever.</p>	UNSPECIFIED TOLERANCES	APPROVALS DATE	PELICAN PRODUCTS INC. 23215 EARLY AVE., TORRANCE, CA 90505 (310) 326-4700		
		DESIGN E.L. 10/27/08	TITLE 1060 BOTTOM INTERIOR GEOMETRY		
		CHECKED B.T. 10/27/08			
		APPROVED			
This Drawing contains information proprietary to Pelican Products Inc. any reproduction disclosure or use of this drawing requires written permission of Pelican Products Inc.		SIZE C	SCALE 1:1	DRAWING NO. 1060_OEM_BTM	REV PR
DO NOT SCALE DRAWING			SHEET 1 OF 1		

1060_OEM_BTM

PR

A