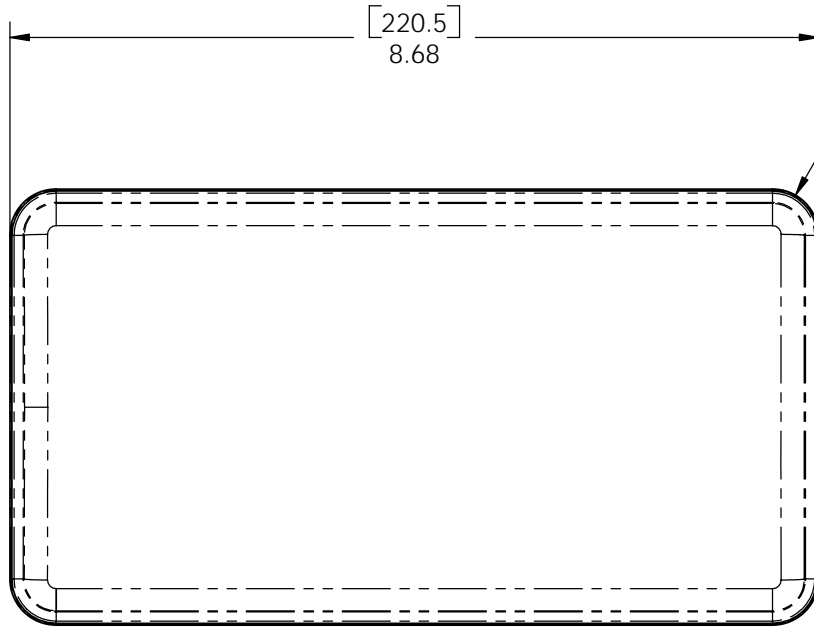
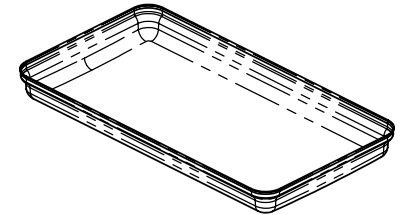
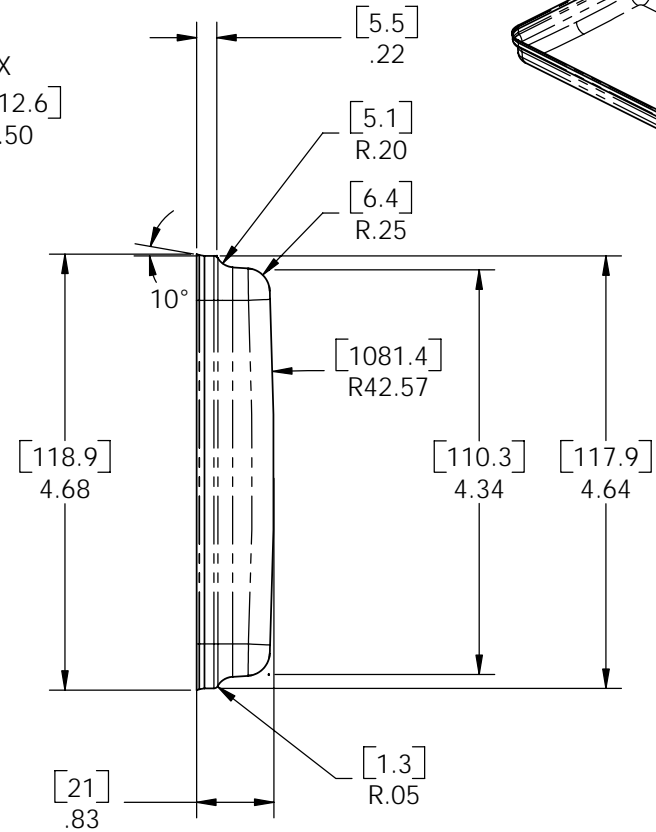


1060

REVISIONS				
REV.	DESCRIPTION	DATE	DRFTR	APPRVD



4X  
[12.6]  
R.50



ISO VIEW

1. ALL DIMENSIONS ARE TO INTERNAL GEOMETRY OF CASE.  
NOTES: UNLESS OTHERWISE SPECIFIED.



UNSPECIFIED TOLERANCES	DESIGN	APPROVALS	DATE	<b>PELICAN PRODUCTS INC.</b> 23215 EARLY AVE., TORRANCE, CA 90505 (310) 326-4700		
	CHECKED					
	APPROVED				TITLE 1060 CUBE CASE, TOP INTERNAL GEOMETRY	
This Drawing contains information proprietary to Pelican Products Inc. any reproduction disclosure or use of this drawing requires written permission of Pelican Products Inc.	SIZE	SCALE	DRAWING NO.	REV		
	B	1:1	1060	PR		
DO NOT SCALE DRAWING				SHEET	1	OF 1