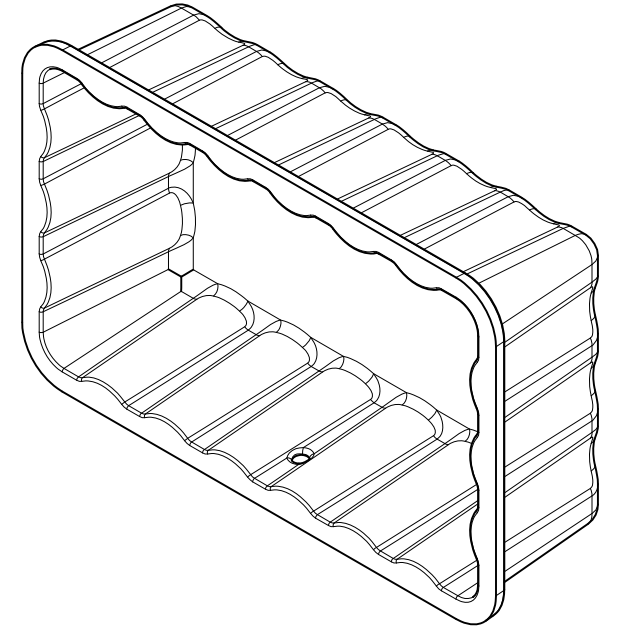
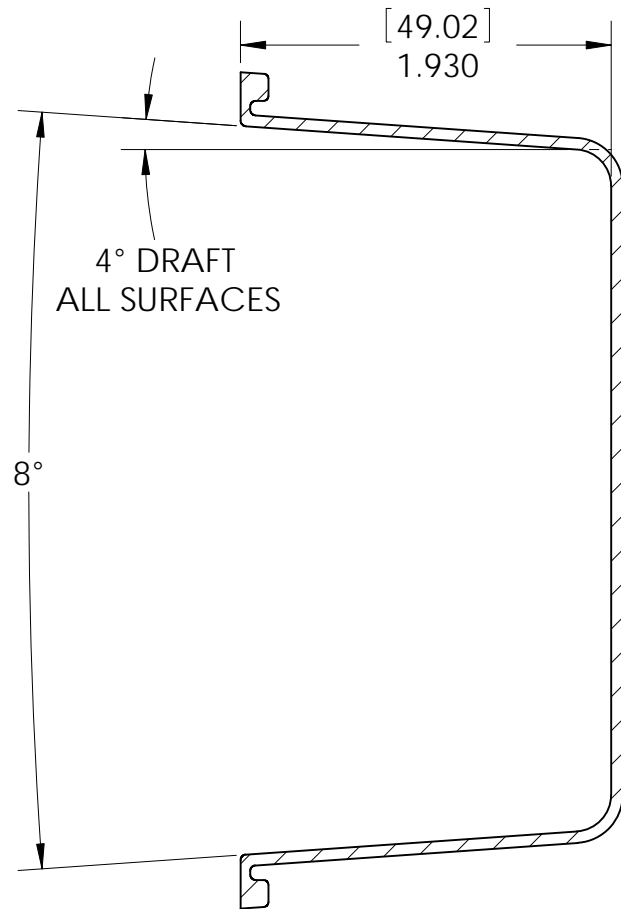
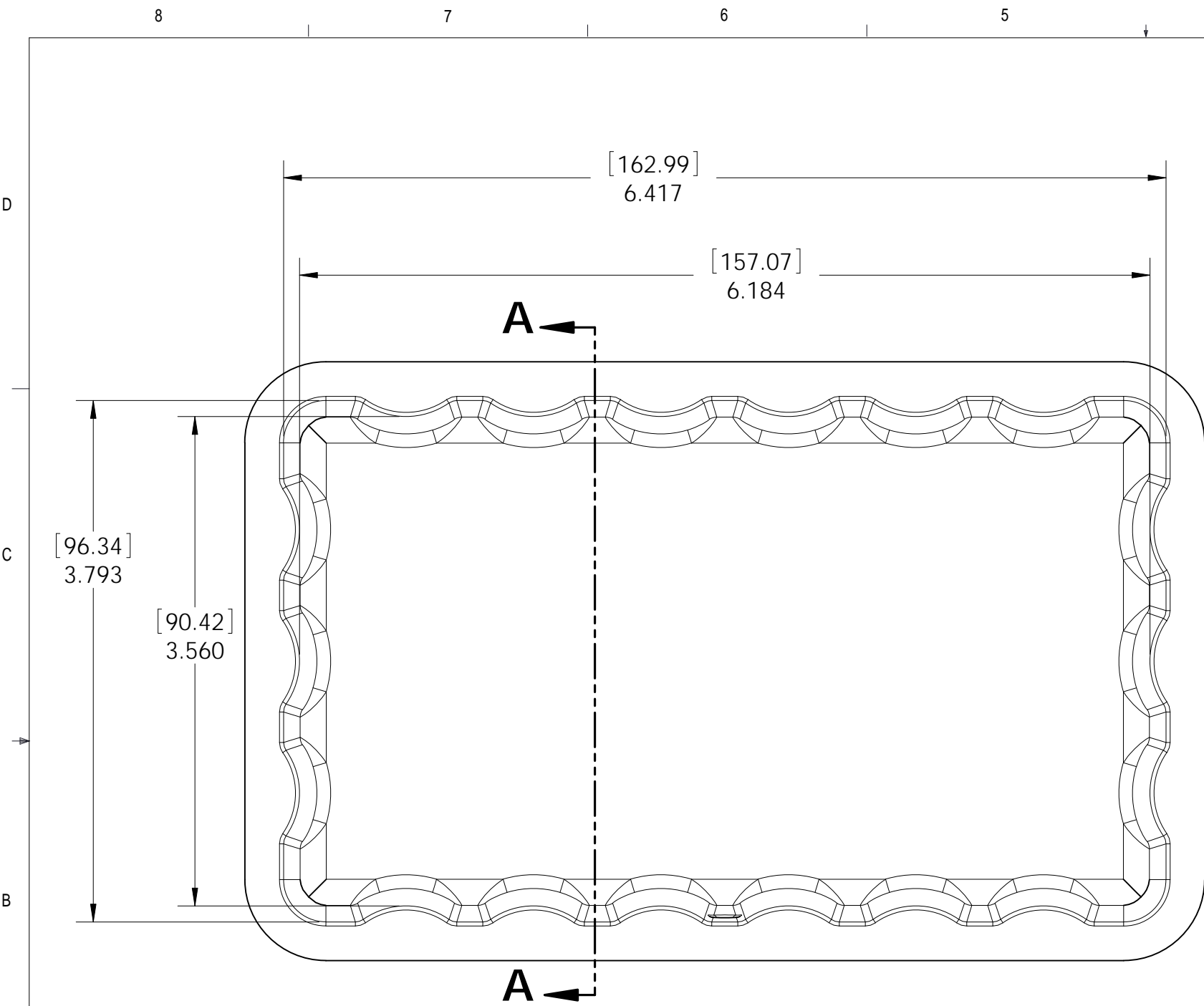


REVISIONS

REV.	DESCRIPTION	ECO	DATE	DRAFTER	APPROVED
PR	RELEASE OEM DRAWING		10/27/08	E.L.	B.T.



**SECTION A-A**

- 2. LINER GEOMETRY ONLY. (LINER IS INSERTED IN CASE BOTTOM).
- 1. ALL DIMENSIONS ARE TO INTERNAL GEOMETRY OF CASE LINER ONLY.

NOTES: UNLESS OTHERWISE SPECIFIED



UNSPECIFIED TOLERANCES	DESIGN	E.L.	10/27/08	<b>PELICAN PRODUCTS INC.</b> 23215 EARLY AVE., TORRANCE, CA 90505 (310) 326-4700 TITLE <b>1050 BOTTOM INTERIOR GEOMETRY</b>			
	CHECKED	B.T.	10/28/07				
APPROVED				SIZE	SCALE	DRAWING NO.	REV
This Drawing contains information proprietary to Pelican Products Inc. any reproduction disclosure or use of this drawing requires written permission of Pelican Products Inc.				<b>B</b>	1:1	<b>1050_OEM_BTM</b>	<b>PR</b>