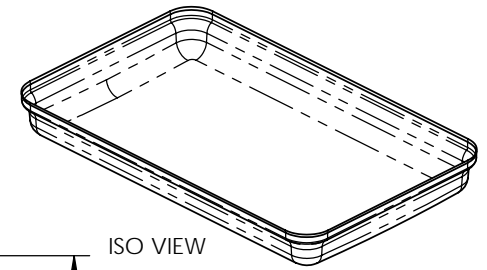
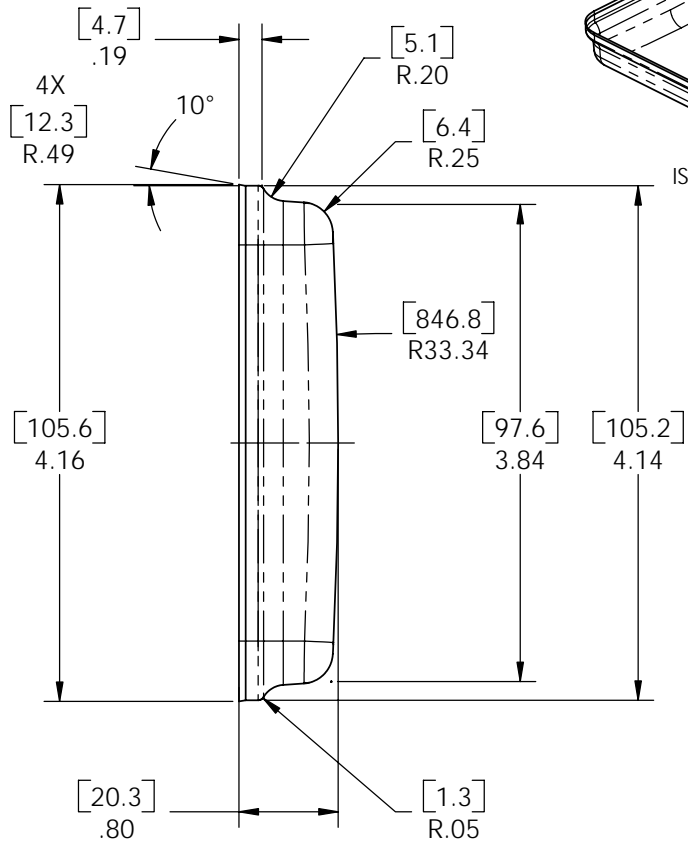
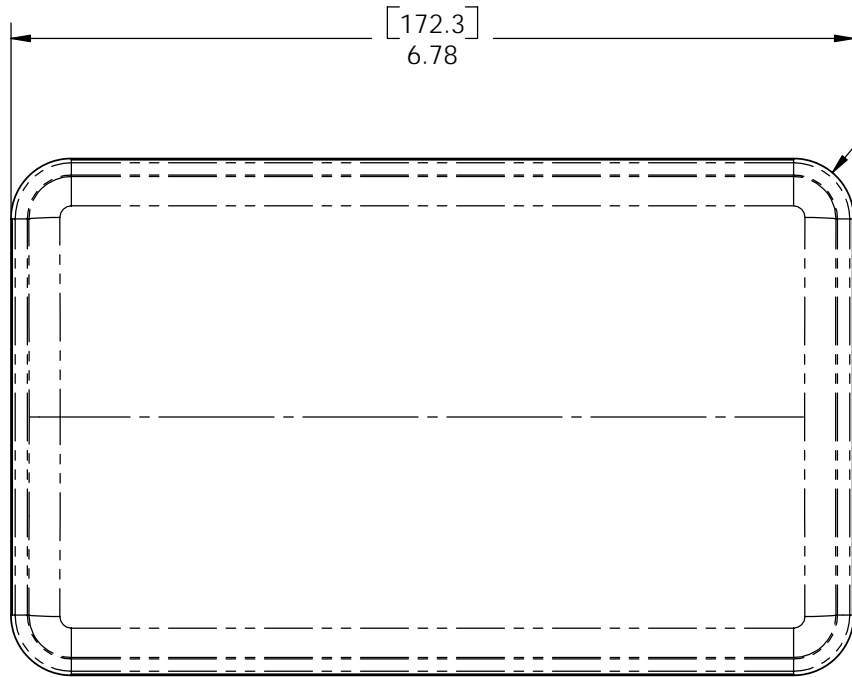


1050

REVISIONS				
REV.	DESCRIPTION	DATE	DRFTR	APPRVD



ISO VIEW

1. ALL DIMENSIONS ARE TO INTERNAL GEOMETRY OF CASE.
 NOTES: UNLESS OTHERWISE SPECIFIED.



UNSPECIFIED TOLERANCES		APPROVALS DATE		PELICAN PRODUCTS INC. 23215 EARLY AVE., TORRANCE, CA 90505 (310) 326-4700		
DESIGN				TITLE 1050 CUBE CASE, TOP INTERNAL GEOMETRY		
CHECKED						
APPROVED						
This Drawing contains information proprietary to Pelican Products Inc. any reproduction disclosure or use of this drawing requires written permission of Pelican Products Inc.		SIZE B	SCALE 1:1	DRAWING NO. 1050	REV PR	
DO NOT SCALE DRAWING					SHEET	1 OF 1