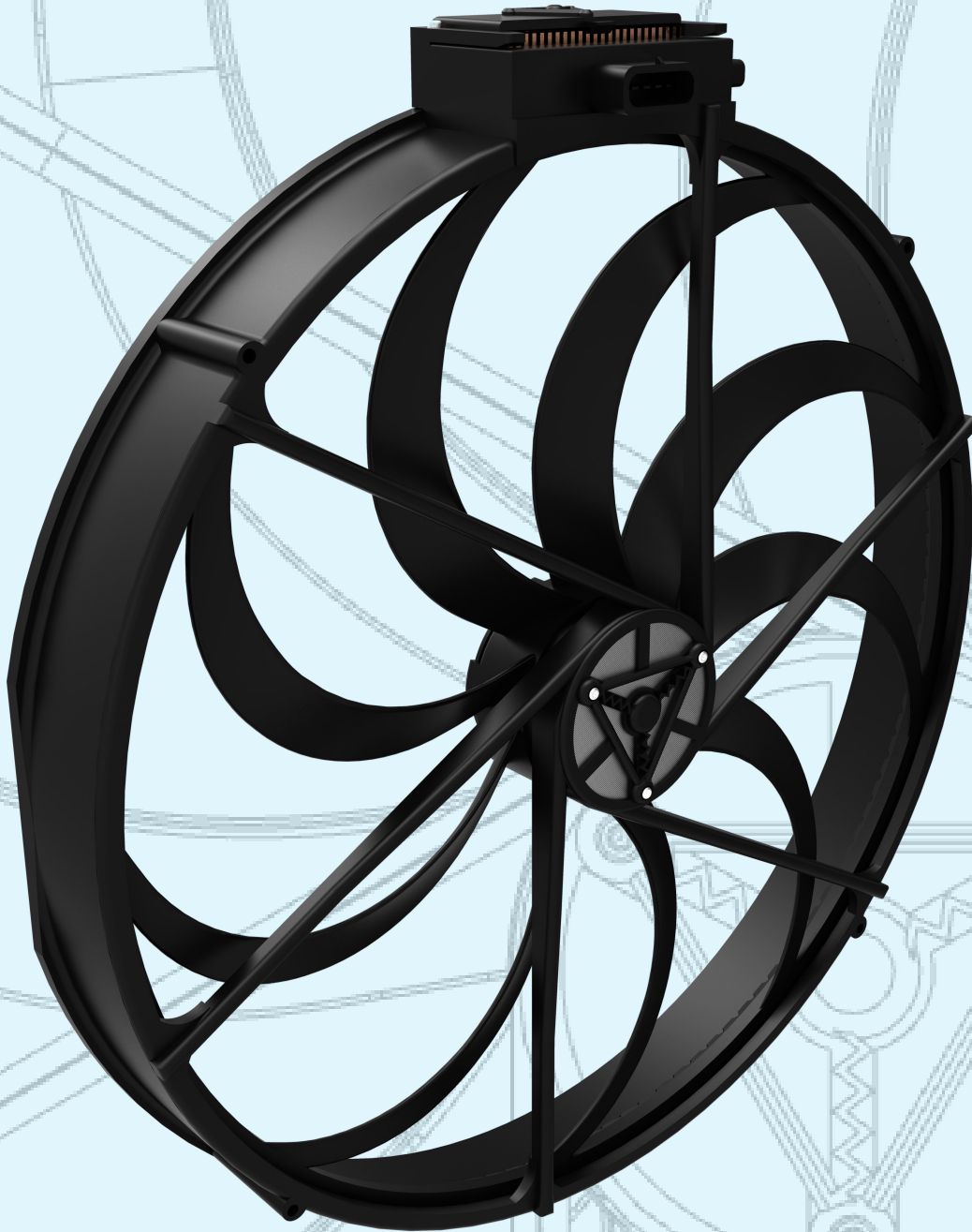


High Performance **Brushless** Cooling Systems



Delta Performance Automotive Group, LLC | www.deltapag.com

+001 (212) 203 - 2912 | support@deltapag.com



Brushless Fan Features

- ◆ Powerful: adjustable from 1,000 CFM to 4,100 CFM
- ◆ Patented* brushless technology, Made in the USA.
- ◆ Reliable: +50,000 hours operating life, 10x longer than other fans
- ◆ Wide operating voltage range 8vdc - 28vdc & 48vdc
- ◆ CFD optimized S-blade fan profile for very quiet operation
- ◆ Ultra-efficient: +30% improvement = more power, lightweight, low amps
- ◆ 100% Waterproof with sealed and encapsulated motor
- ◆ Soft-Start Technology eliminates power spikes
- ◆ Easily replaceable control module (ECM), no electronics in the motor
- ◆ State-of-the-art, award winning tech, two utility patents*



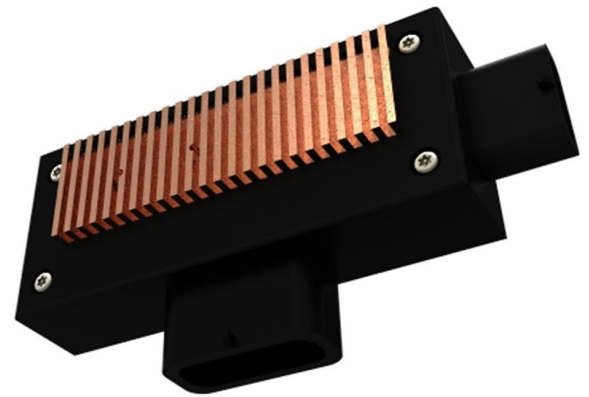
- ◆ Stand-alone digital temperature/speed controller
- ◆ Independently/simultaneously control two cooling fans
- ◆ 100% digital, solid state: eliminates unreliable temp switches
- ◆ Digitally monitors vehicle's cooling temp
- ◆ Digitally adjust On/Off temp & variable speed settings
- ◆ Wide temperature range and 1% accurate temperature readings

*Patent #s: 8,267,673 & 8,251,674

Electronic Control Module (ECM)

Using high temp, grade-0 components to ensure the highest performance and longevity

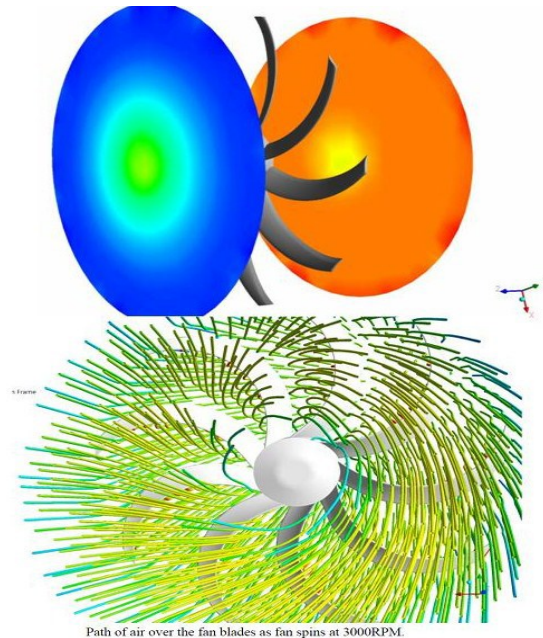
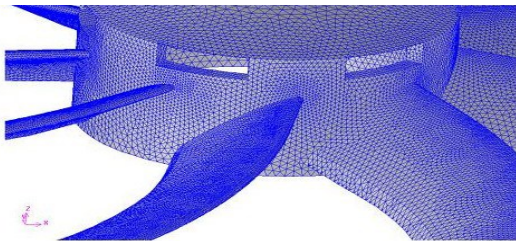
- Easily Replaceable Modular Design
- Communicates with Temp/Speed Controller or OEM Computer



CFD Optimized Fan Blade Profile

Using the latest technology in Computational Fluid Dynamics (CFD) to:

- Optimize Efficiency
- Reduce Noise / Cavitation



Path of air over the fan blades as fan spins at 3000RPM.

Self-Cooling Technology

Active cooling while operating

Ensuring reliability and power density

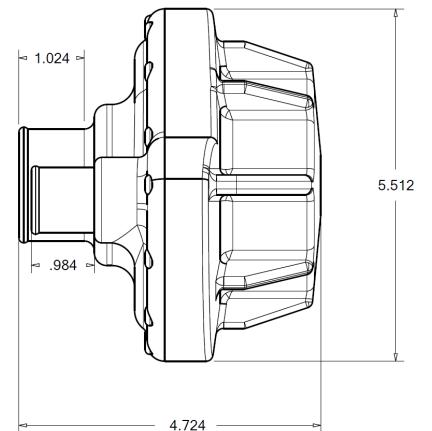
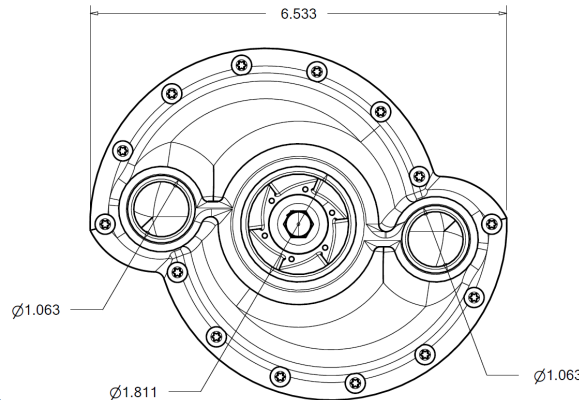
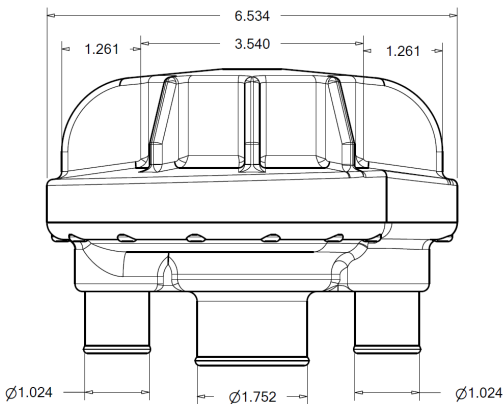




Brushless Water Pump Features



- ◆ **Powerful: 60 gallons per minute**
- ◆ **Ultra-efficient permanent magnet Brushless motor. 18 amps draw max**
- ◆ **Reliable: +50,000 hours operating life, for constant duty applications**
- ◆ **Wet motor, no seal to wear out**
- ◆ **CFD optimized 4" Stainless Steel impeller**
- ◆ **Marine grade, fully submersible**
- ◆ **Remote mount in any orientation**
- ◆ **Compact size and only 4.50lbs**
- ◆ **Symmetrical dual volute design 1.75" Inlet, dual 1" outlets**
- ◆ **Variable Speed, increases and decreases coolant flow to maintain temp.**
- ◆ **Easily replaceable external control module, no electronics in the motor**





Complete Assemblies & Accessories

Compete Cooling Modules

- ◆ CAD designed to maximize cooling capacity
- ◆ Prototype or OEM volume production, drop in ready
- ◆ CFD optimized cores for maximum fluid flow
- ◆ Discuss your requirements with our engineers
- ◆ One stop shop for all your cooling needs

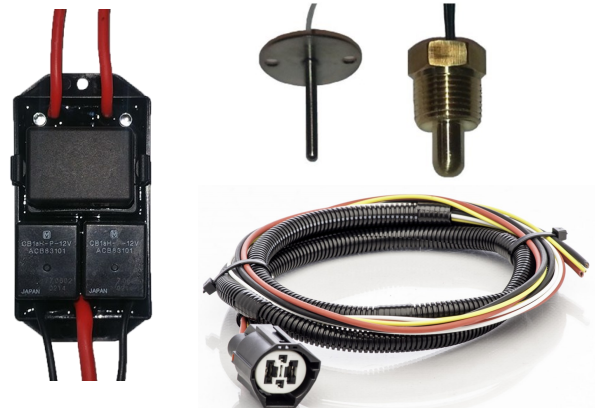


Custom Radiator Shrouds

- ◆ CAD designed to perfectly fit your radiator
- ◆ Assembled with stainless steel hardware & silicone gasketing
- ◆ Pre-wired & programmed for your application
- ◆ CNC Plasma cut to ensure precise dimensions from thick gauge 5052 aluminum for rigidity
- ◆ Plastic molded shrouds with integrated fans

Components & Accessories

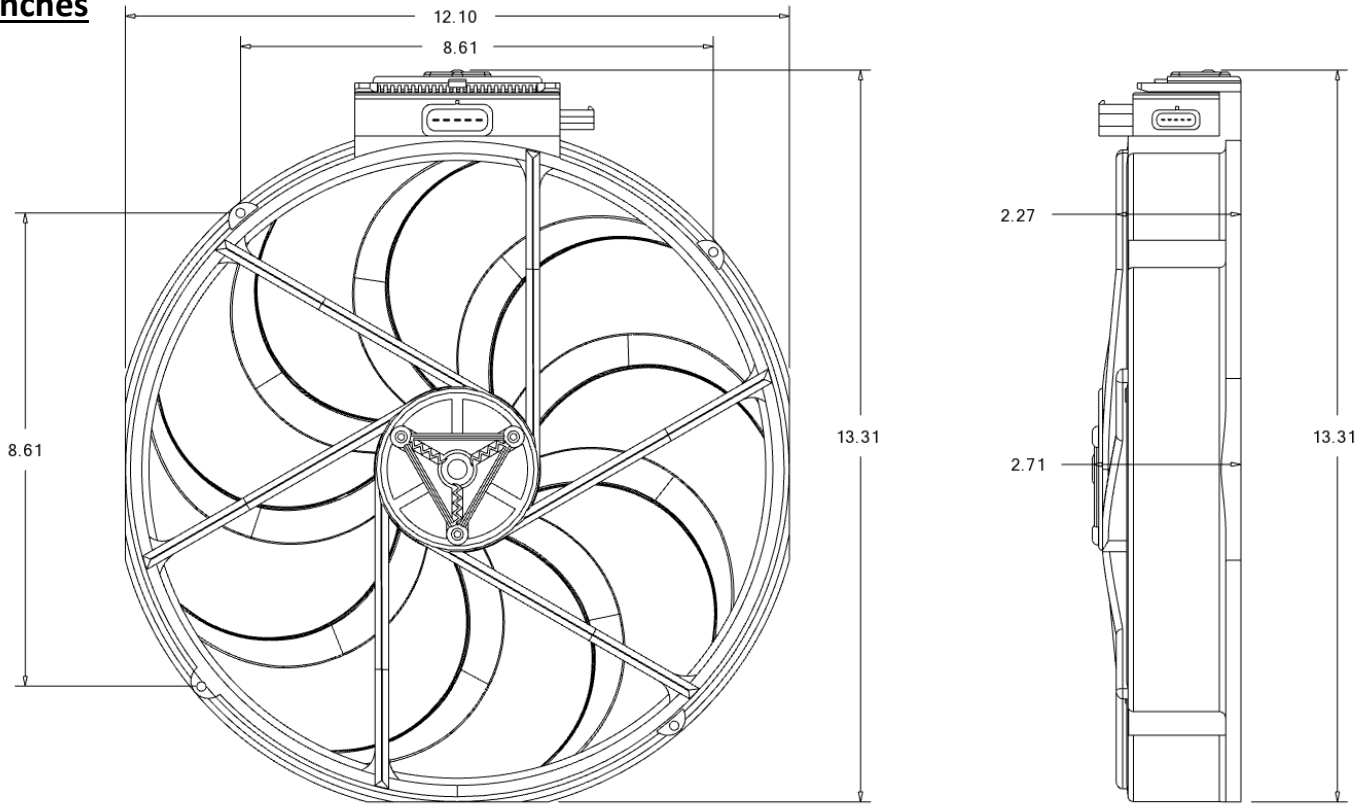
- ◆ Dual Channel digital temperature controller
- ◆ Waterproof dual relay/fuse module, 140amps
- ◆ High accuracy temperature sensors
- ◆ Waterproof wiring harnesses



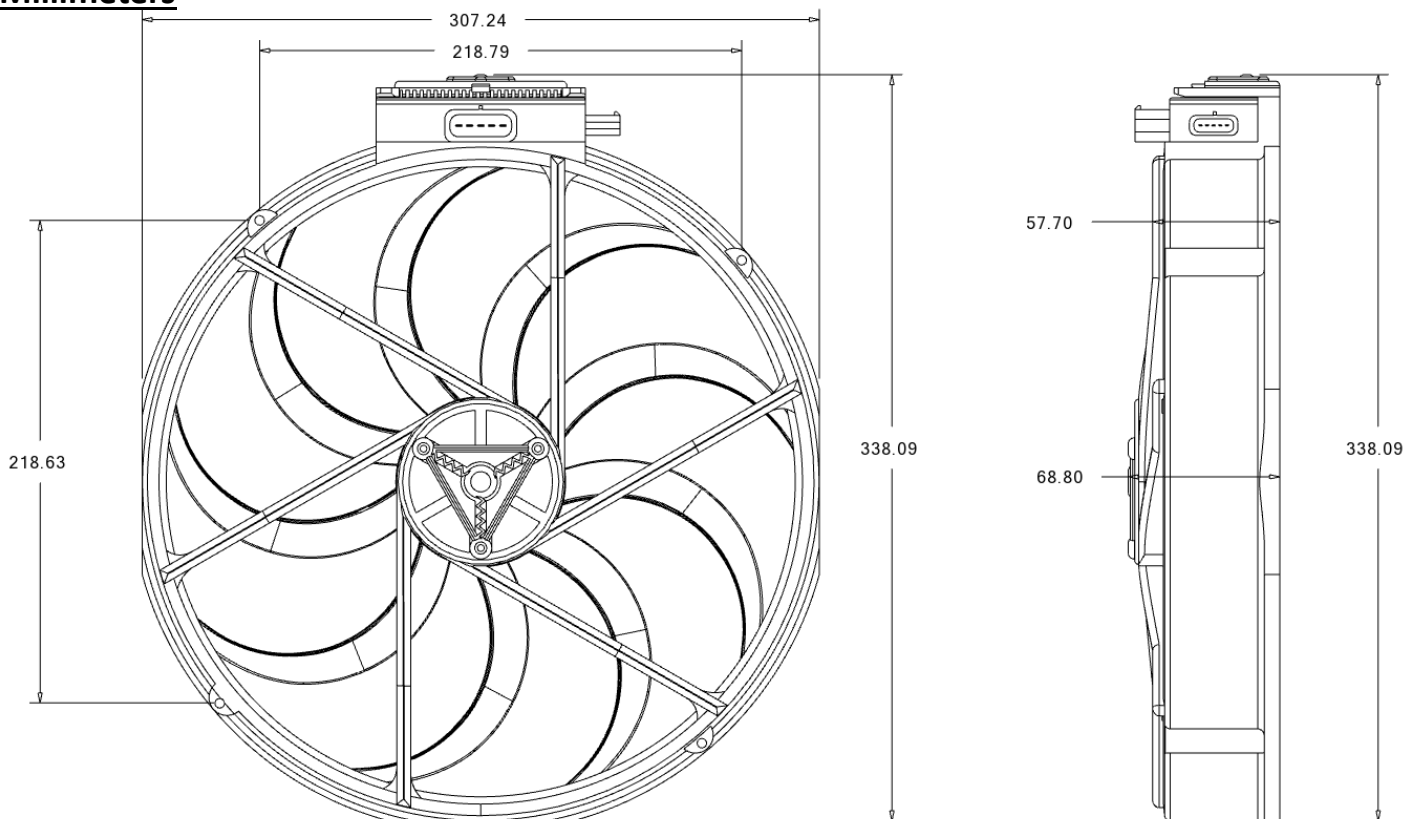


12" Brushless Fan Dimensions

Inches



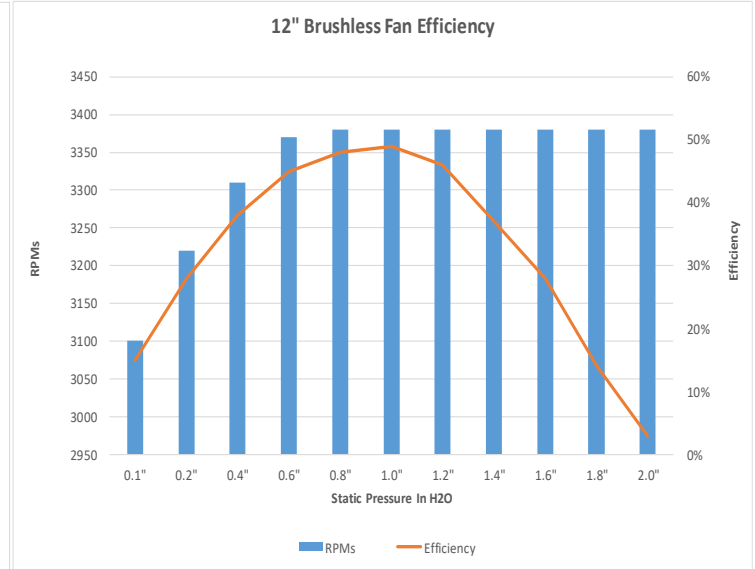
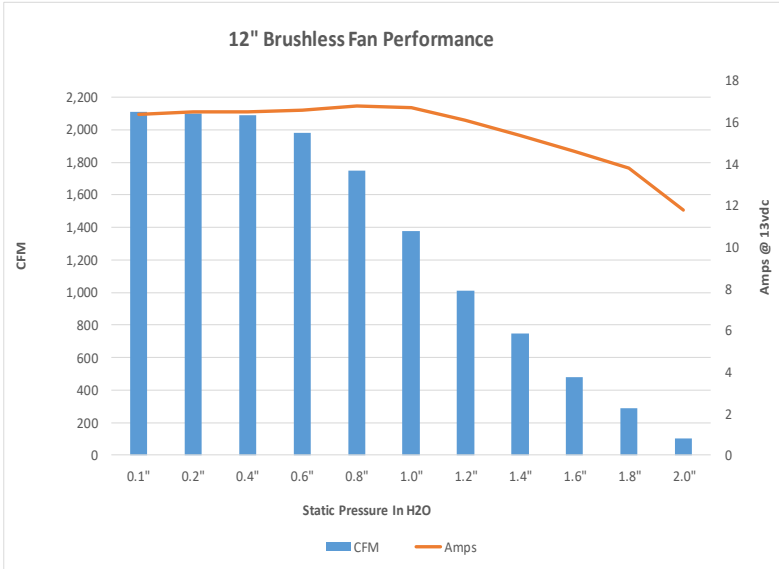
Millimeters





12" Brushless Fan Performance & Features

Performance Curves:



Features:

Max Airflow	CFM	2,110
Max Fan Speed	RPM	3,380
Min Fan Speed	RPM	1,200
Sound Level	dba	69.2 @ 3ft
Weight	Lbs	4.28
Voltage range	Vdc	8 - 28 , 48
Operating Temperature Range	Celsius	-40 to 150
Operating Life	Hours	50,000

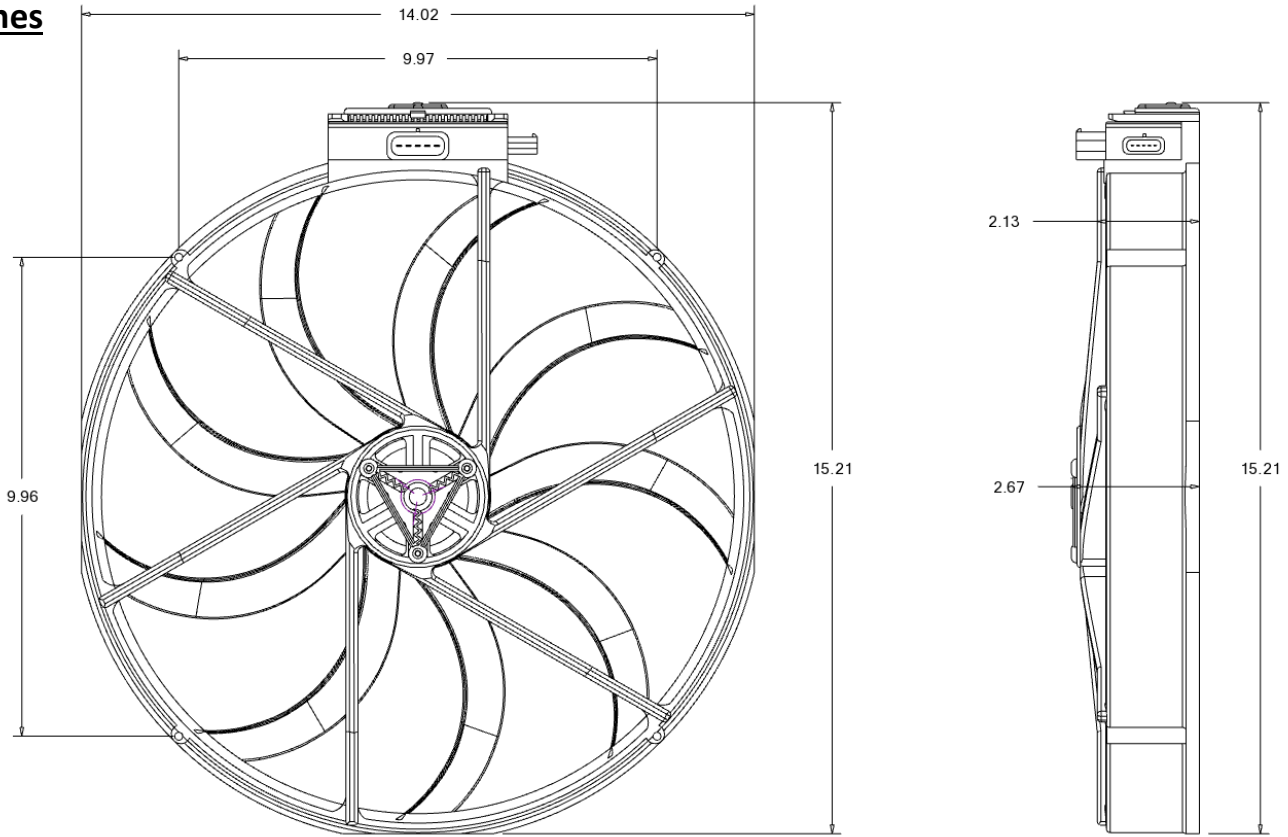
- Variable Speed with PWM and Analog
- Soft-start, gentle on drive electronics
- Peak efficiency 48.7% @ 0.95" H2O
- Modular, easily replaceable Electronics
- 100% waterproof, sealed encapsulated motor & critical components.
- Custom firmware available



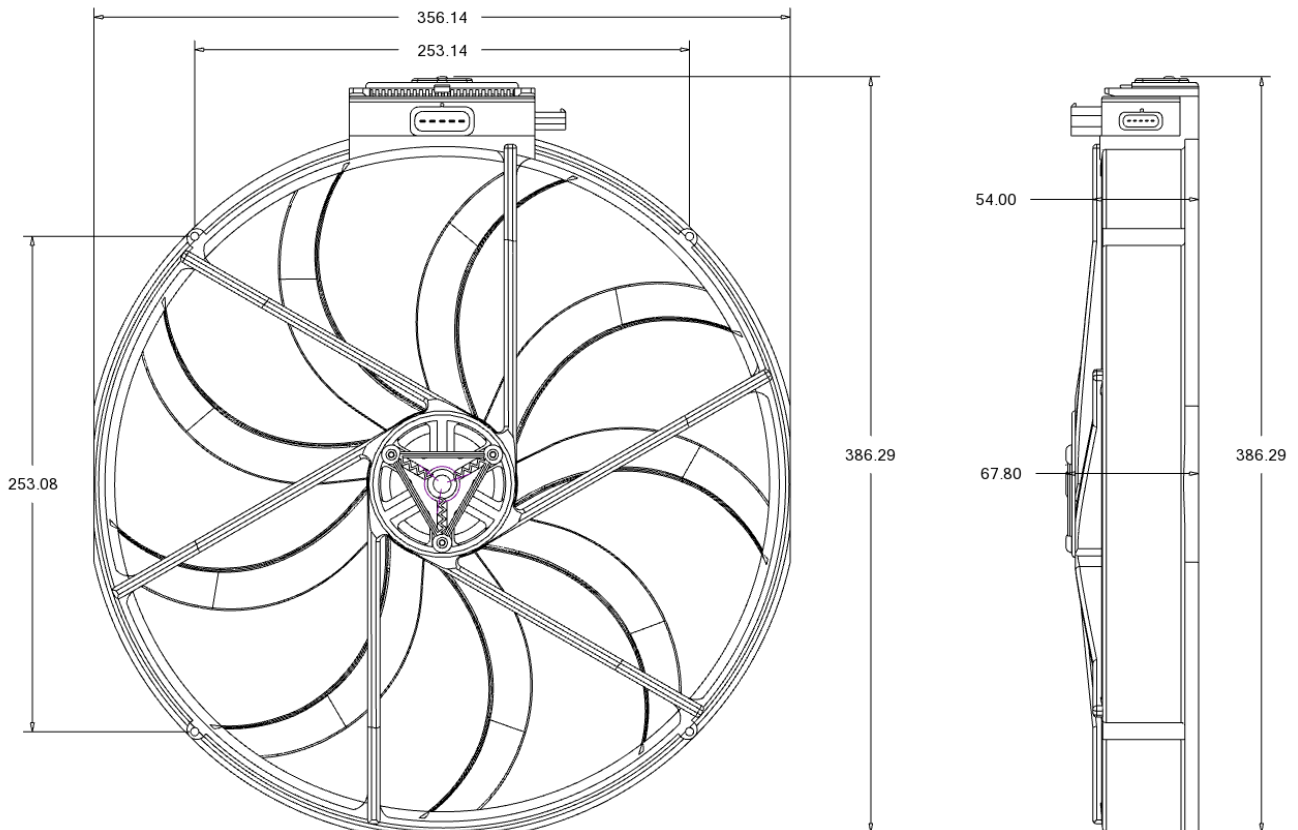


14" Brushless Fan Dimensions

Inches



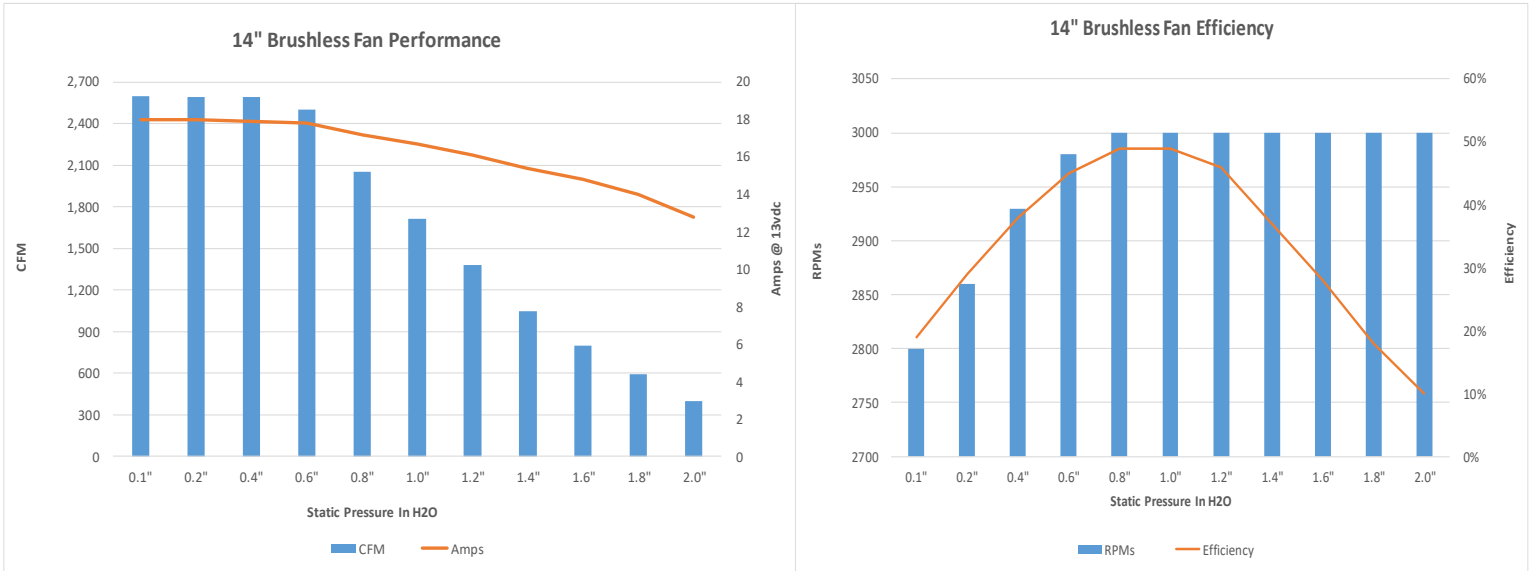
Millimeters





14" Brushless Fan Performance & Features

Performance Curves:



Features:

Max Airflow	CFM	2,630
Max Fan Speed	RPM	3,000
Min Fan Speed	RPM	1,200
Sound Level	dba	68.8 @ 3ft
Weight	Lbs	4.41
Voltage range	Vdc	8 - 28 , 48
Operating Temperature Range	Celsius	-40 to 150
Operating Life	Hours	50,000

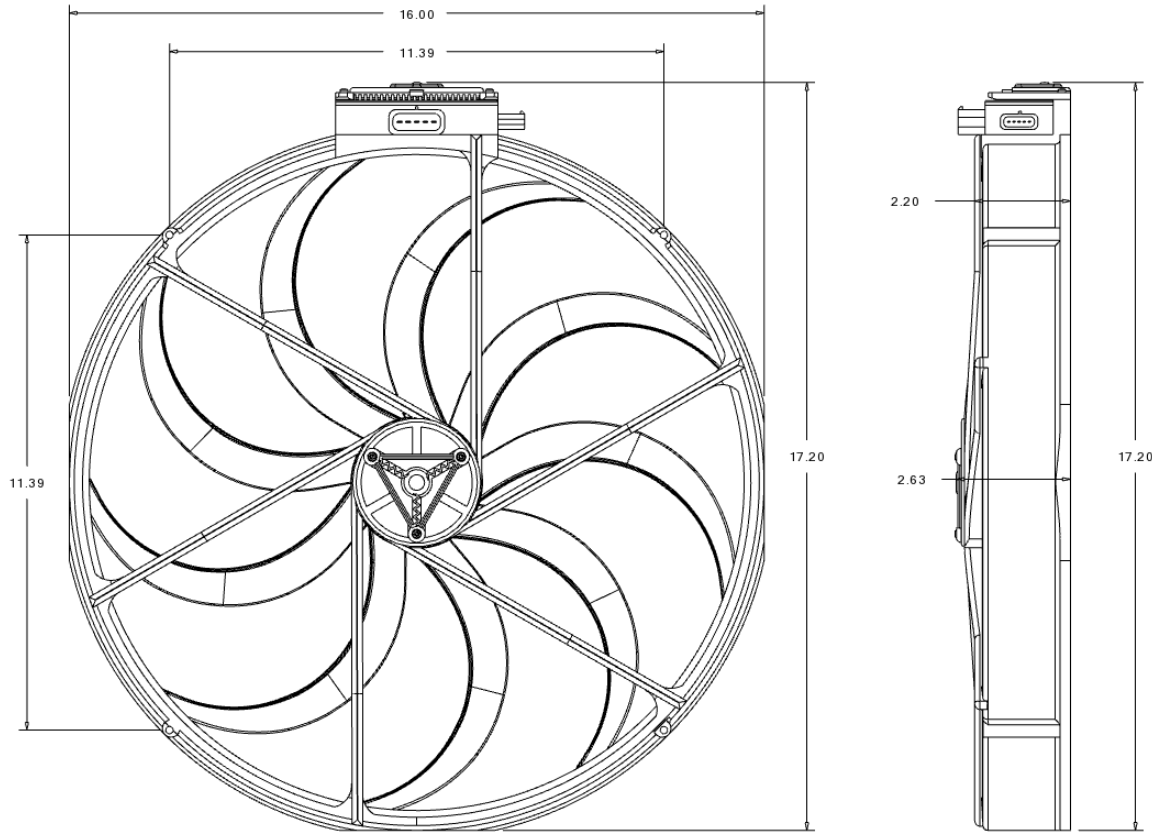
- Variable Speed with PWM and Analog
- Soft-start, gentle on drive electronics
- Peak efficiency 49.0@ 0.90" H2O
- Modular, easily replaceable Electronics
- 100% waterproof, sealed encapsulated motor & critical components.
- Custom firmware available



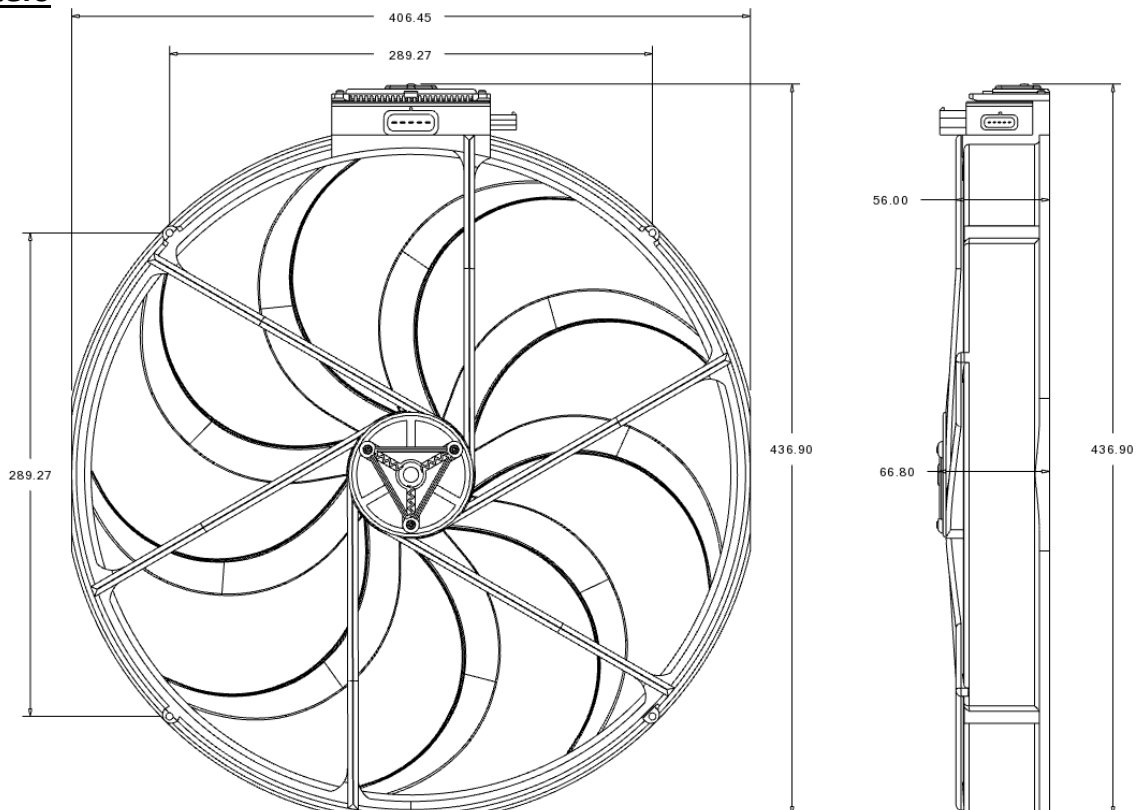


16" Brushless Fan Dimensions

Inches



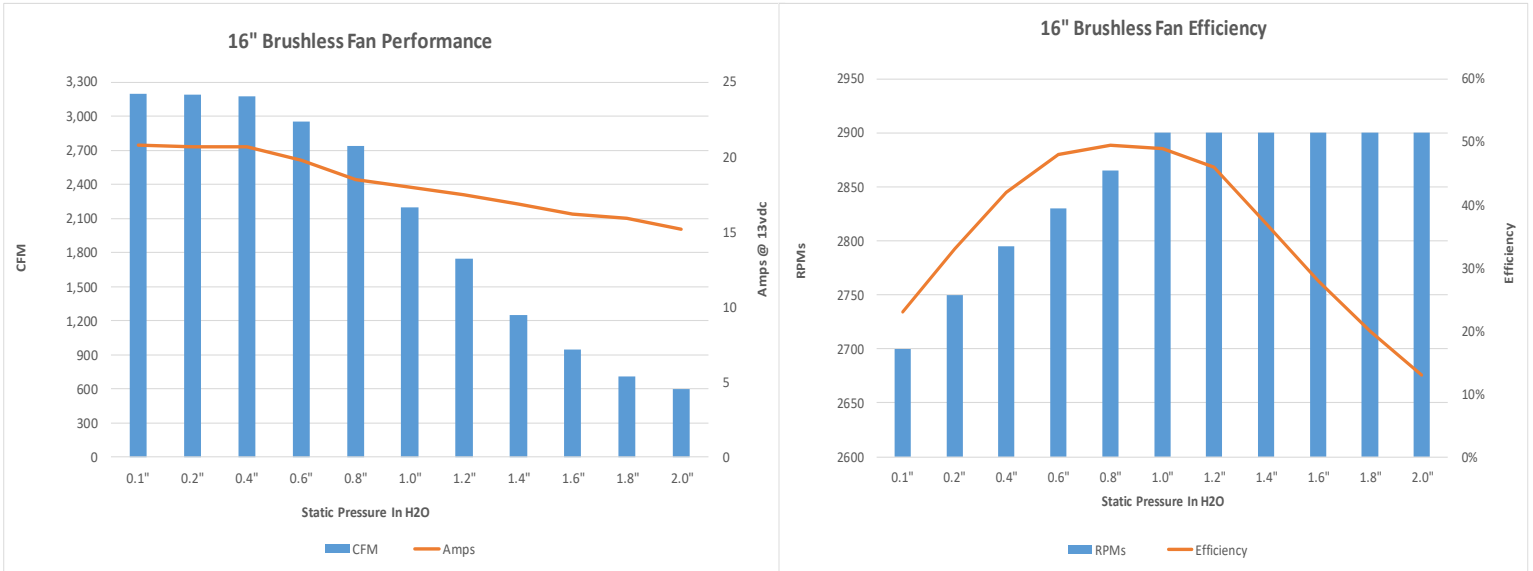
Millimeters





16" Brushless Fan Performance & Features

Performance Curves:



Features:

Max Airflow	CFM	3,200
Max Fan Speed	RPM	2,900
Min Fan Speed	RPM	1,200
Sound Level	dba	67.8 @ 3ft
Weight	Lbs	4.55
Voltage range	Vdc	8 - 28 , 48
Operating Temperature Range	Celsius	-40 to 150
Operating Life	Hours	50,000

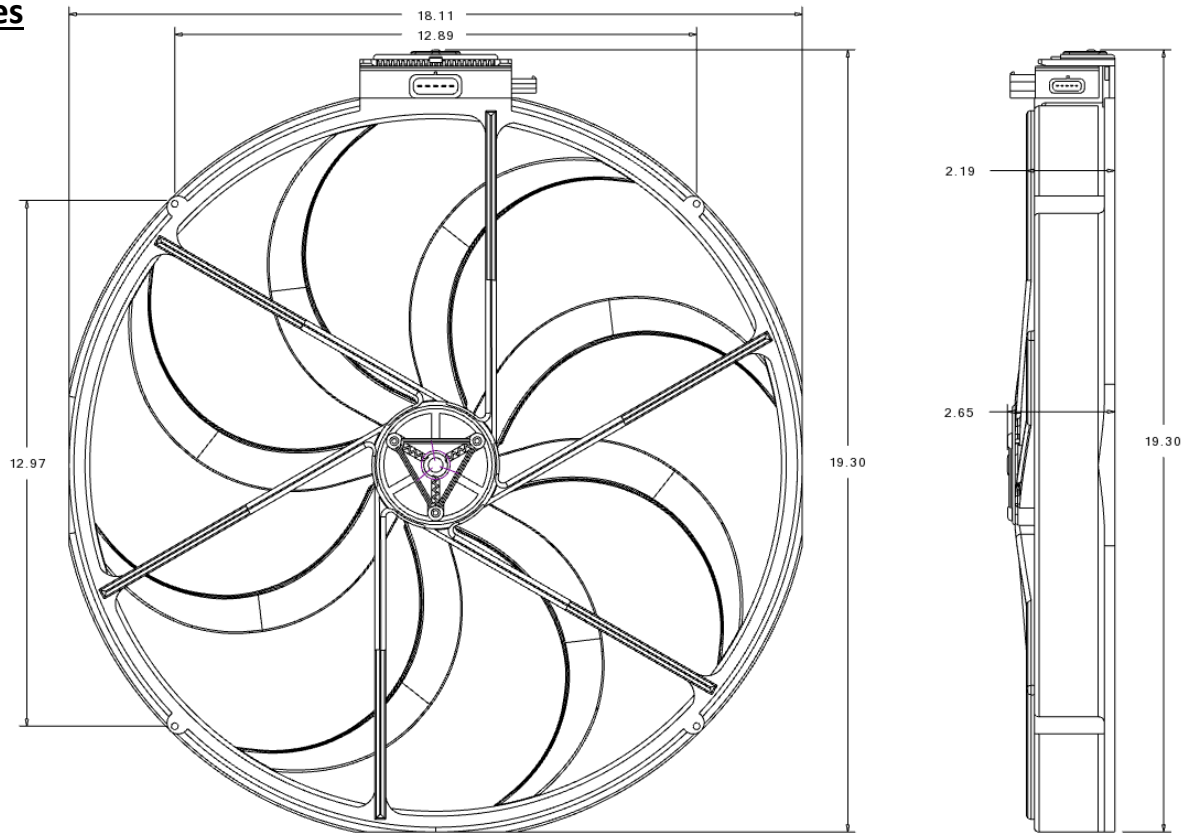
- Variable Speed with PWM and Analog
- Soft-start, gentle on drive electronics
- Peak efficiency 49.5% @ 0.8" H2O
- Modular, easily replaceable Electronics
- 100% waterproof, sealed encapsulated motor & critical components.
- Custom firmware available



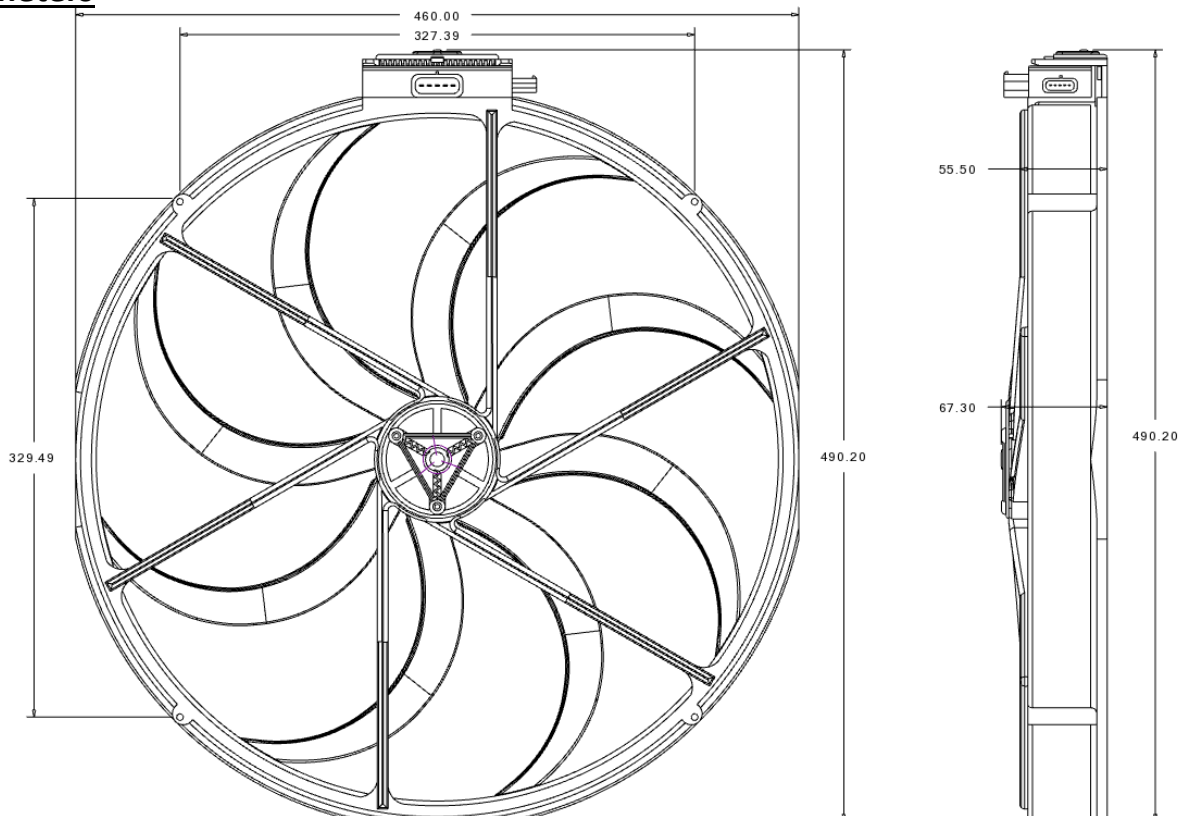


18" Brushless Fan Dimensions

Inches



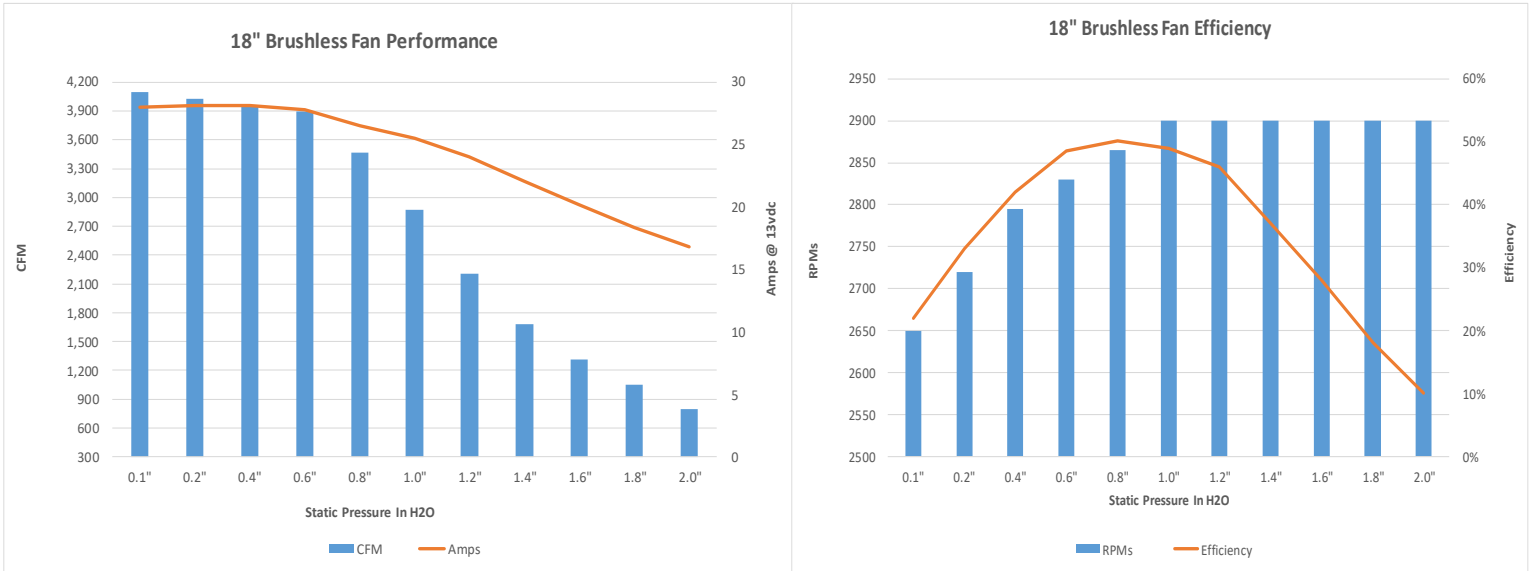
Millimeters





18" Brushless Fan Performance & Features

Performance Curves:



Features:

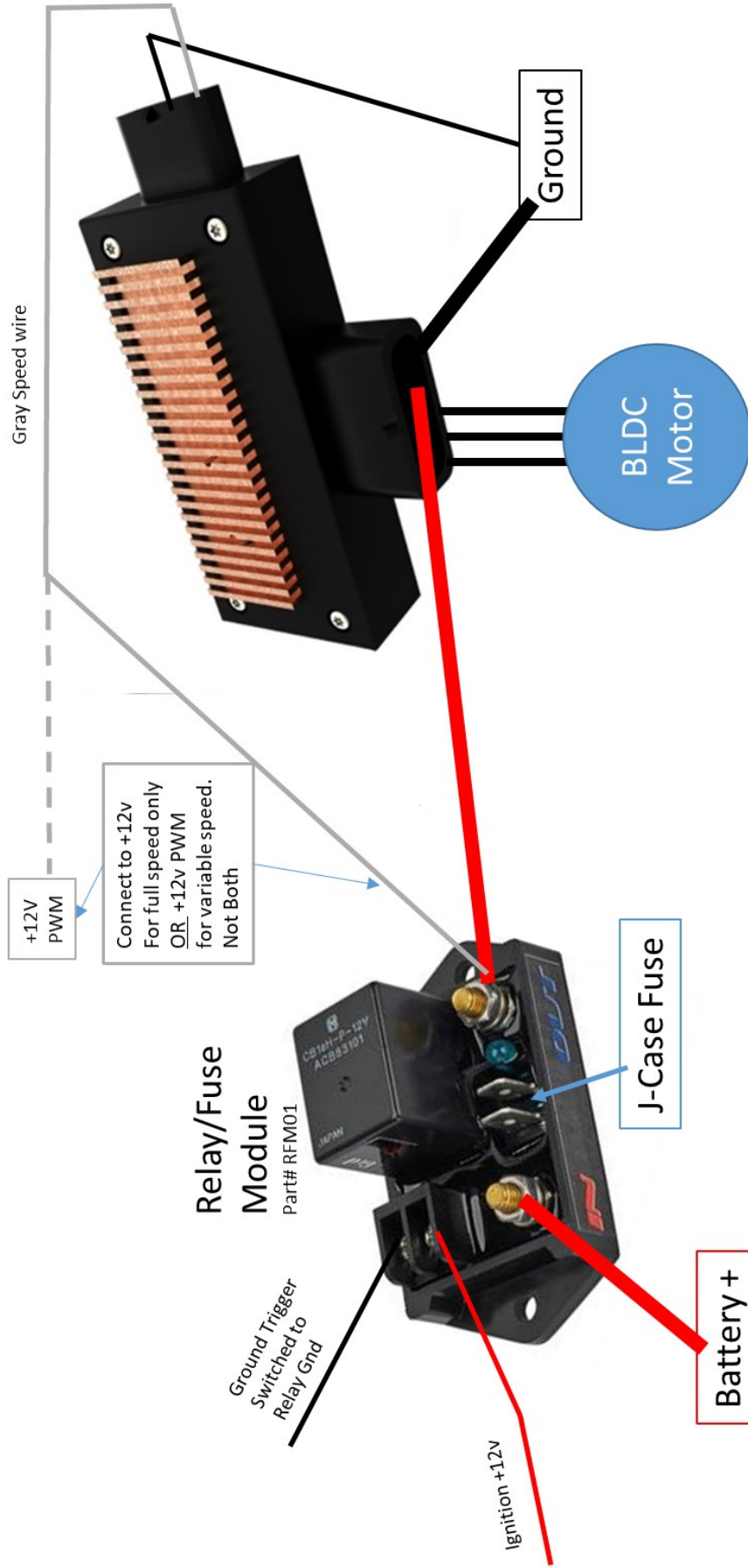
Max Airflow	CFM	4,100
Max Fan Speed	RPM	2,900
Min Fan Speed	RPM	1,200
Sound Level	dba	65.1 @ 3ft
Weight	Lbs	4.72
Voltage range	Vdc	8 - 28 , 48
Operating Temperature Range	Celsius	-40 to 150
Operating Life	Hours	50,000

- Variable Speed with PWM and Analog
- Soft-start, gentle on drive electronics
- Peak efficiency 50.2% @ 0.8" H2O
- Modular, easily replaceable Electronics
- 100% waterproof, sealed encapsulated motor & critical components.
- Custom firmware available





Direct Wiring Without Controller





Single Fan Wiring with Digital Controller

