

# E.M.T. Conduit Fittings

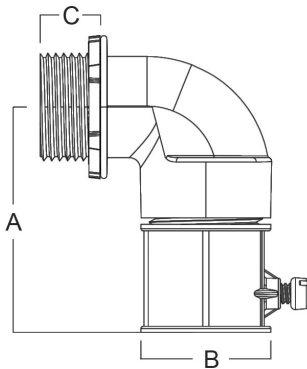
Zinc Die Cast



Part No	Trade Size	Pcs/ Unit Ctn	Pcs/ Ship Ctn	Wt(lbs)/ 100pcs
21116	1/2"	10	100	22
21126	3/4"	5	50	34

### NOMINAL DIMENSIONS (Inches):

Trade Size	A	B	C
1/2"	1.693	0.945	0.535
3/4"	1.967	1.165	0.535



## 90° Angle Connectors

### EMT(Set Screw) to Box Connectors

**TYPE:** 90° Short Radius, Set Screw

**MATERIAL:** Zinc Die Cast

**FINISH:** Vibratory

### APPLICATIONS:

- Used to join EMT conduit to a box or enclosure where a close radius is required
- For short radius
- For dry locations
- Concrete tight when taped
- For Canada: concrete tight

### FEATURES:

- Zinc Die Cast locknut and staked tri-combination head applicable with Phillips, Slotted, and Square-Recess screw

### COMPLIANCE:



File No.:  
E232667



Electrical Resource International  
440.878.1199  
[www.electrical-resource.com](http://www.electrical-resource.com)