



Smart Pour™ Stovetop Kettle with Analog Temperature Gauge

BKS12501G2TG

Features:

- Generous 1.2 liter capacity
- Temperature gauge in lid (**Temperature gauge is hand wash only*)
- Temperature displayed in Fahrenheit and Celsius
- Durable 25 gauge 300 series food grade stainless steel
- Gooseneck spout for accurate pour control
- Ergonomically balanced easy-grip handle
- For stovetop / induction use



MSRP: \$44.95 USD[†]
contact sales@brewglobal.com to order



Smart Pour™ Stovetop Kettle

The Brewista Smart Pour™ Stovetop Kettle. Simply fill it up and place it on a lit stovetop or induction heater to bring water to a boil. The analog temperature gauge built into the lid displays current water temperature in both Celsius and Fahrenheit. With a generous 1.2 liter kettle body made of 25 gauge 300 series food grade stainless steel, the Smart Pour™ Stovetop Kettle is built to last. An ergonomically designed and balanced handle make it comfortable to use, and its latte art inspired gooseneck spout pours with ultimate accuracy.

**Please note: Temperature gauge is not dishwasher safe and should only be hand washed.*

[†]All prices subject to change.

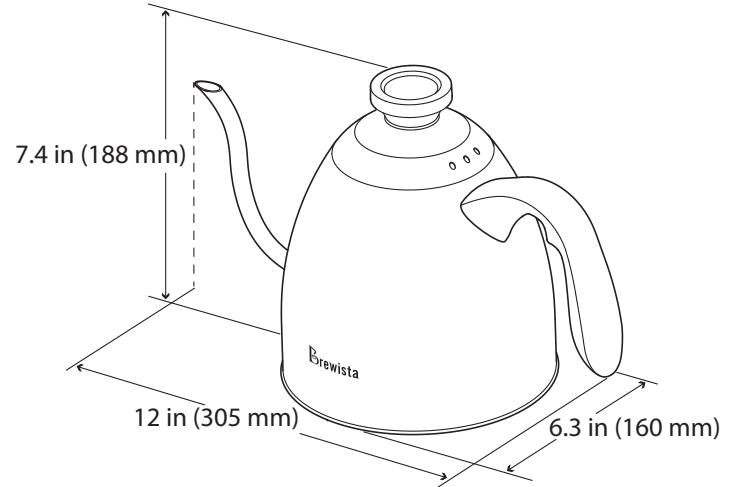
Smart Pour™ Stovetop Kettle with Analog Temperature Gauge

BKS12S01G2TG

Parts and Materials:

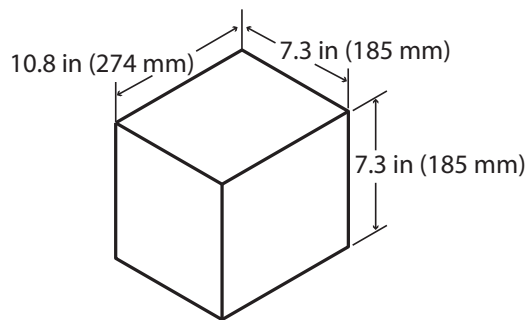
- Lid with analog temperature gauge:
Stainless steel and BPA free polypropylene
- Handle:
Phenolic resin
- Kettle body:
25 gauge, food grade 300 series stainless steel
- Base:
BPA free polypropylene

Dimensions:



Shipping Information:

Product box dimensions



*Shipping carton dimensions
(4 pieces per carton)*

