



Stout Spout™ Variable Temperature Kettle

BSS12VTK series

Features:

- Precise digital temperature selection
- Generous 1.2 liter capacity
- Actual temperature in kettle displayed on LCD
- Temperature displayed in Fahrenheit and Celsius
- Common temperature presets
- Auto-start: wake up ready to make a perfect brew
- Keep warm feature maintains temperature for up to one hour
- Durable 25 gauge 300 series food grade stainless steel
- Innovative spout design provides accurate and fast pouring
- Ergonomically balanced easy-grip handle
- Auto-off function
- Lift off base; no cord to interfere with pouring



**Product base is slightly taller in markets outside of North America to accommodate removable power cord.*



AUTO
START



AUTO
OFF



TEMP
CONTROL



KEEP
WARM



TIMER



TEMP
DISPLAY



BPA
FREE



†All prices subject to change.

Stout Spout™ Variable Temperature Kettle

The best of both worlds. A revolutionary spout profile offers extremely accurate pouring when you need to take your time. The open design of the spout allows for fast pouring when you want to pour quickly. Made of 25 gauge 300 series stainless steel, the Stout Spout™ is built to last. Precise digital control heats to within one degree, plus or minus. The current temperature in the kettle is displayed and can be switched from Celsius to Fahrenheit at the push of a button. Auto-start feature lets users set the time and temperature at which the kettle reaches the desired temperature. Its Keep Warm feature maintains the set temperature for up to one hour and Auto-off shuts it down if left unattended for more than 60 minutes. With a convenient 1.2 liter capacity, easy grip handle and lift off base (no cord to interfere with pouring) it is perfect for serving all day.

Removable power cord in markets outside of North America.

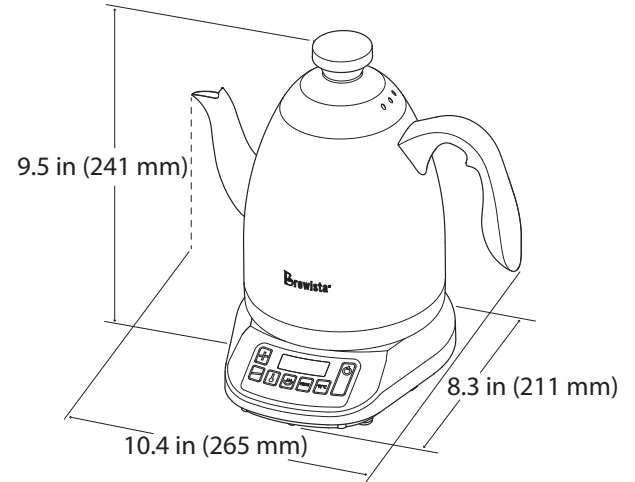
Stout Spout™ Variable Temperature Kettle

BSS12VTK series

Parts and Materials:

- Lid:
Stainless steel and BPA free polypropylene
- Handle:
Phenolic resin/ Polypropylene†
- Kettle body:
25 gauge, food grade 300 series stainless steel
- Base:
*BPA free polypropylene**

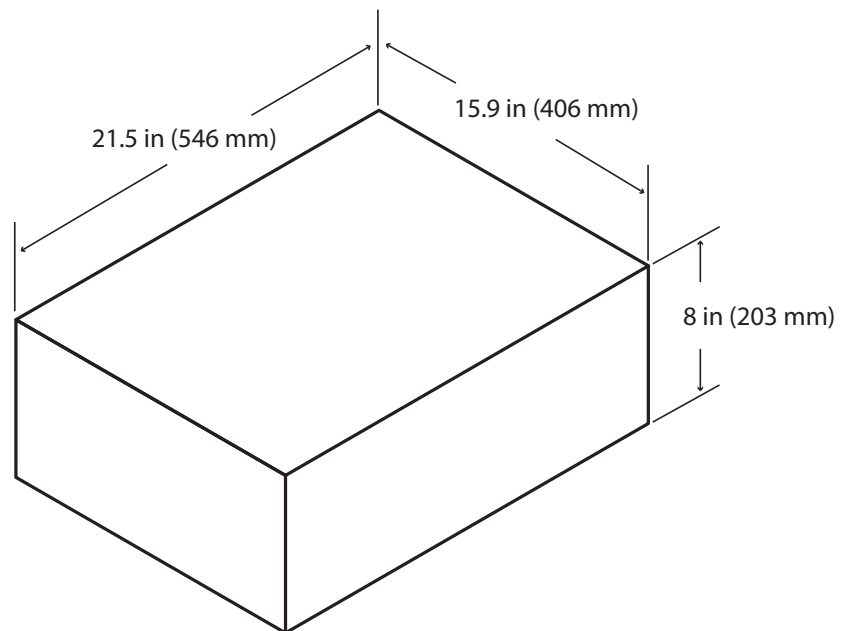
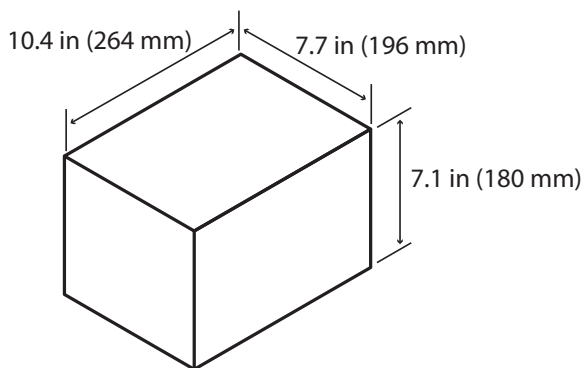
Dimensions:



Shipping Information:

Product box dimensions

*Shipping carton dimensions
(4 pieces per carton)*



†Phenolic resin handles on original release, polypropylene handles on subsequent production runs.

**Product base and packaging is slightly taller in markets outside of North America to accommodate removable power cord.*