

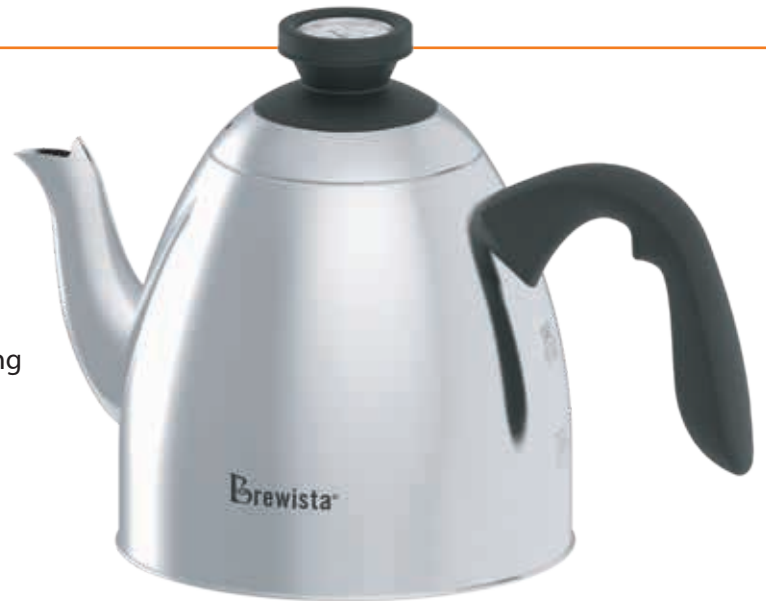


Stout Spout™ Stovetop Kettle with Analog Temperature Gauge

BSS12STKA

Features:

- Generous 1.2 liter capacity
- Temperature gauge in lid (*Temperature gauge is hand wash only)
- Temperature displayed in Fahrenheit and Celsius
- Durable 25 gauge 300 series food grade stainless steel
- For stovetop / induction use
- Ergonomically balanced easy-grip handle
- Innovative spout design provides accurate and fast pouring



MSRP: \$39.95 USD[†]
contact sales@mybrewista.com to order



Stout Spout™ Stovetop Kettle

The Brewista Stout Spout™ Stovetop Kettle is the best of both worlds. Its revolutionary spout profile offers extremely accurate pouring when you need to take your time. The open design of the spout allows for fast pouring when you want to pour quickly. Made of 25 gauge 300 series stainless steel, the Stout Spout™ is built to last. Simply fill it with water and place it on a lit stovetop or induction heater to bring water to a boil. With a convenient 1.2 liter capacity and ergonomic easy grip handle it is designed for comfortable use.

*Please note: Temperature gauge is not dishwasher safe and should only be hand washed.

[†]All prices subject to change.

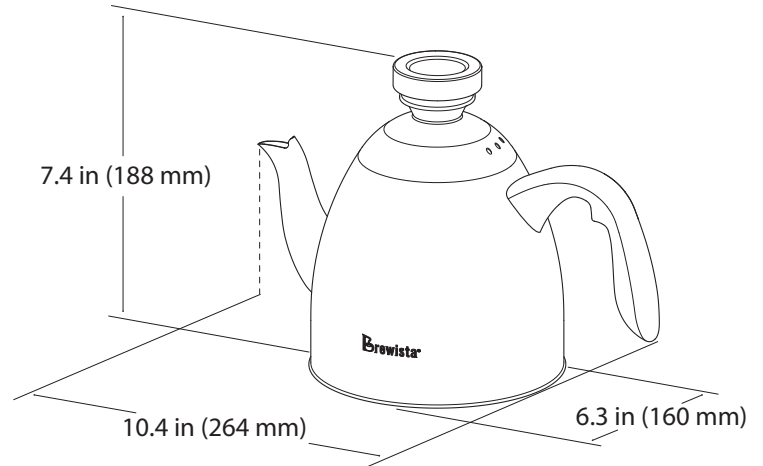
Stout Spout™ Stovetop Kettle with Analog Temperature Gauge

BSS12STKA

Parts and Materials:

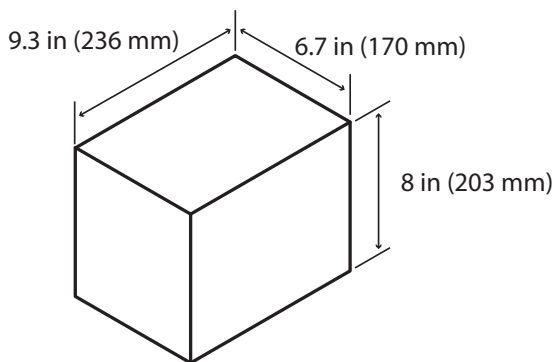
- Lid with analog temperature gauge:
Stainless steel and BPA free polypropylene
- Handle:
Phenolic resin
- Kettle body:
25 gauge, food grade 300 series stainless steel
- Base:
BPA free polypropylene

Dimensions:



Shipping Information:

Product box dimensions



Shipping carton dimensions
(4 pieces per carton)

