



## Stout Spout™ Switch Kettle with Analog Temperature Gauge

BSS12ESKA series

### Features:

- Generous 1.2 liter capacity
- Temperature gauge in lid (\*Temperature gauge is hand wash only)
- Temperature displayed in Fahrenheit and Celsius
- Durable 25 gauge 300 series food grade stainless steel
- Innovative spout design provides accurate and fast pouring
- Ergonomically balanced easy-grip handle
- Auto-off function
- Lift off base; no cord to interfere with pouring



\*Product base is slightly taller in markets outside of North America to accommodate removable power cord.

MSRP: \$69.95 USD<sup>†</sup>  
contact [sales@mybrewista.com](mailto:sales@mybrewista.com) to order



<sup>†</sup>All prices subject to change.

### Stout Spout™ Electric Switch Kettle

The best of both worlds. A revolutionary spout profile offers extremely accurate pouring when you need to take your time. The open design of the spout allows for fast pouring when you want to pour quickly. Made of 25 gauge 300 series stainless steel, the Stout Spout™ is built to last. Simply fill it with water and turn it on to bring water to a boil. Auto-off shuts it down if left unattended for more than 60 minutes. With a convenient 1.2 liter capacity, easy grip handle and lift off base (no cord to interfere with pouring) it is perfect for serving all day.

Removable power cord in markets outside of North America.

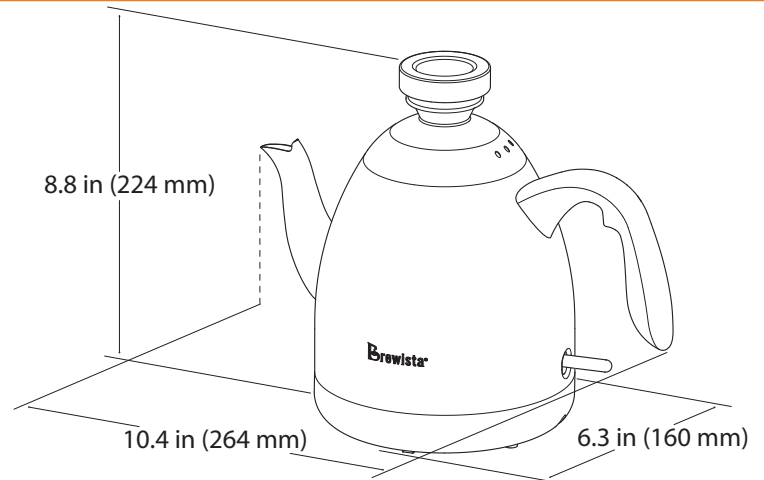
## Stout Spout™ Switch Kettle with Analog Temperature Gauge

BSS12ESKA series

### Parts and Materials:

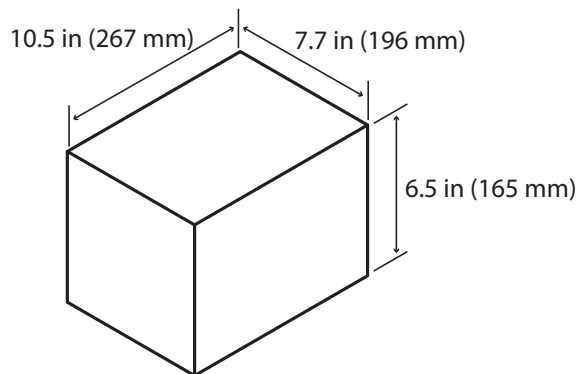
- Lid with analog temperature gauge:  
Stainless steel and BPA free polypropylene
- Handle:  
Phenolic resin/ Polypropylene†
- Kettle body:  
25 gauge, food grade 300 series stainless steel
- Base:  
BPA free polypropylene\*

### Dimensions:

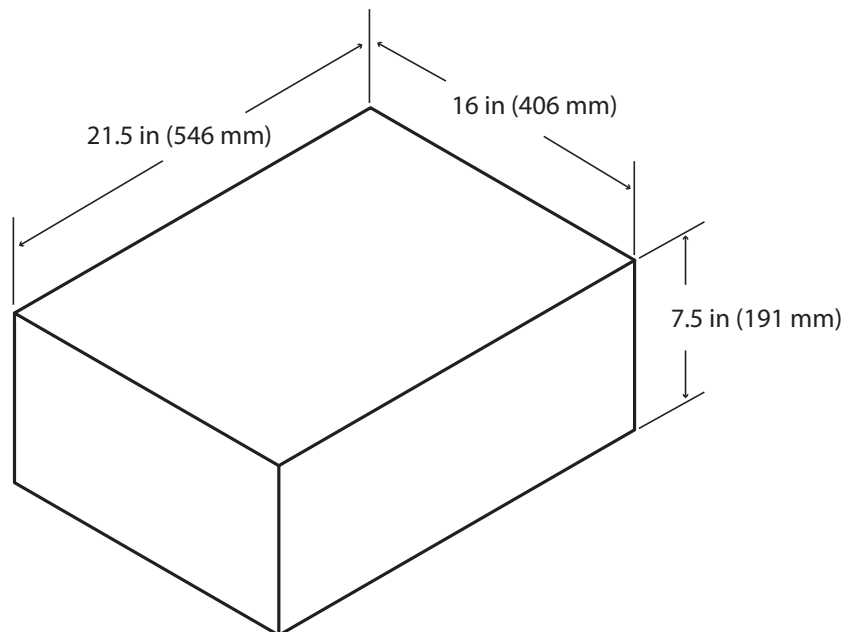


### Shipping Information:

#### Product box dimensions



#### Shipping carton dimensions (4 pieces per carton)



†Phenolic resin handles on original release, polypropylene handles on subsequent production runs.

\*Product base and packaging is slightly taller in markets outside of North America to accommodate removable power cord.