

NutraMilk by Brewista®



Make fresh dairy alternative butter and milk in minutes!

BRNMPRO

Features:

- Makes dairy alternative butters and milks in less time than it takes to brew a pot of coffee!
- No need to pre-soak the ingredients
- Uses virtually any type of nut, grain or seed
- Large capacity: makes up to 2 liters of dairy alternative milk or 3 cups of butter at a time
- NutraMilk Pro pack specifically designed for shop use
- Pro pack includes 2 each mixing bowls, blades and containers
- Dishwasher safe container and blades for easy clean up
- Economical and safe; uses only nuts, seeds, grains and water
- No chemicals or additives needed
- Patented design developed in the United States



MSRP: \$549.95 USD †

Available in U.S. late 2017, Internationally early 2018
Check www.mybrewista.com for updates



NutraMilk™ Pro Pack

The NutraMilk™ by Brewista® makes wholesome, fresh dairy alternative butters and milks from virtually any type of nut, grain or seed in minutes. No need to soak the ingredients overnight!

Simply add nuts and press the "BUTTER" button. In minutes you'll have fresh, additive free dairy alternative butter. Add water and press the "MIX" button to convert the butter into delicious, ready to drink alternative milk. The NutraMilk makes up to 2 liters of fresh alternative milk or 3 cups of butter at a time, plenty for even the busiest coffee shop.

To prevent cross contamination and keep up with demand, the NutraMilk Pro Pack comes with two complete sets of mixing bowls, blades, spigots and containers.

*Please note: Electrical base is not dishwasher safe.



†All prices subject to change.

Brewista®

1133 W. 27th Street, Cheyenne, WY 82001, USA | www.mybrewista.com

Toll Free in North America: 1-888-538-8683 | Local: 307-222-6086 | sales@mybrewista.com

© Copyright 2017 Brewista

NutraMilk by Brewista®



Pro Pack designed for Commercial Shop Use!

BRNMPRO

Specifications*

- 110V/ 500 watt motor
- Stainless steel double blade
- Photo etched stainless steel filter
- Clear Tritan canister-BPA free
- Dishwasher safe canister
- Four suction cup base to prevent slipping
- LED display
- Lighted On/Off switch
- Commercial UL certified
- Submitted for NSF certification
- Patented for utility and design
- Developed in the United States

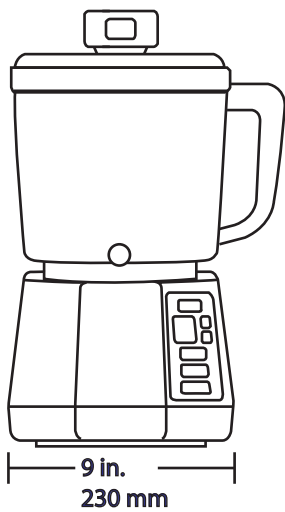
What's in the Pro Pack?



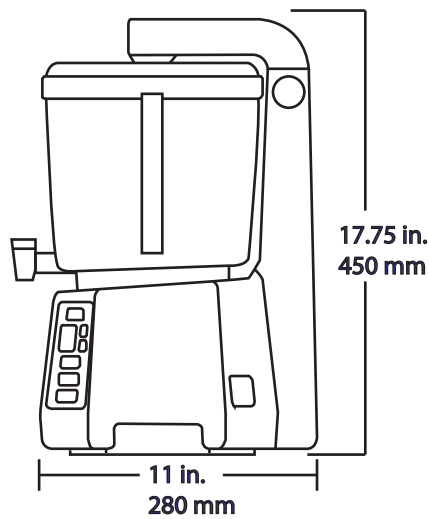
(1) Motor Base

(2) Two Liter Plastic Storage Containers

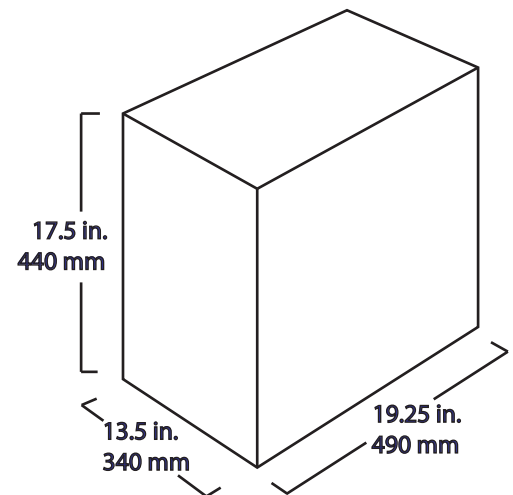
Dimensions*



FRONT VIEW



SIDE VIEW



EXTERIOR PACKAGE

Approximate shipping weight 17 lbs.

*Product currently under development. Final specifications and appearance may vary.



1133 W. 27th Street, Cheyenne, WY 82001, USA | www.mybrewista.com

Toll Free in North America: 1-888-538-8683 | Local: 307-222-6086 | sales@mybrewista.com

© Copyright 2017 Brewista