



## Smart Pour™ Switch Kettle with Analog Temperature Gauge

BKS12S02 series

### Features:

- Generous 1.2 liter capacity
- Temperature gauge in lid (*\*Temperature gauge is hand wash only*)
- Temperature displayed in Fahrenheit and Celsius
- Durable 25 gauge 300 series food grade stainless steel
- Gooseneck spout for accurate pour control
- Ergonomically balanced easy-grip handle
- Auto-off function
- Removable power cord (in markets outside of North America)



*\*Product base is slightly taller in markets outside of North America to accommodate removable power cord.*

**MSRP: \$69.99 USD<sup>†</sup>**  
contact [sales@mybrewista.com](mailto:sales@mybrewista.com) to order



<sup>†</sup>All prices subject to change.

### Smart Pour™ Electric Switch Kettle

The Brewista Smart Pour™ Electric Switch Kettle. Simply fill it up and turn it on to bring water to a boil. The analog temperature gauge in the lid displays current water temperature in both Celsius and Fahrenheit. An auto-off function insures safety by shutting down if left unattended for over 60 minutes. With a generous 1.2 liter kettle body made of 25 gauge 300 series food grade stainless steel, the Smart Pour™ Electric Switch Kettle is built to last. An ergonomically designed and balanced handle make it comfortable to use, and its latte art inspired gooseneck spout pours with ultimate accuracy.

*Removable power cord in markets outside of North America.*

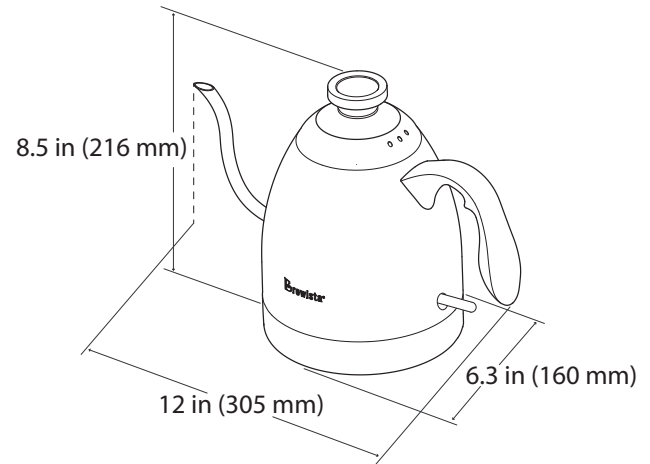
## Smart Pour™ Switch Kettle with Analog Temperature Gauge

BKS12S02 series

### Parts and Materials:

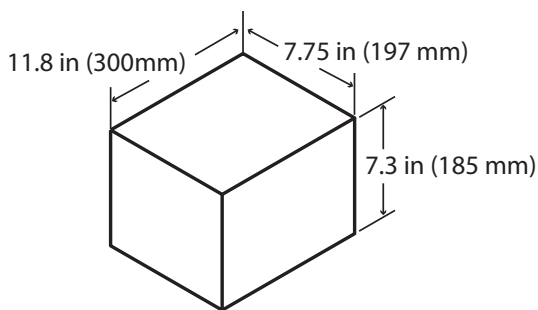
- Lid with analog temperature gauge:  
*Stainless steel and BPA free polypropylene*
- Handle:  
*Phenolic resin/ Polypropylene†*
- Kettle body:  
*25 gauge, food grade 300 series stainless steel*
- Base:  
*BPA free polypropylene\**

### Dimensions:

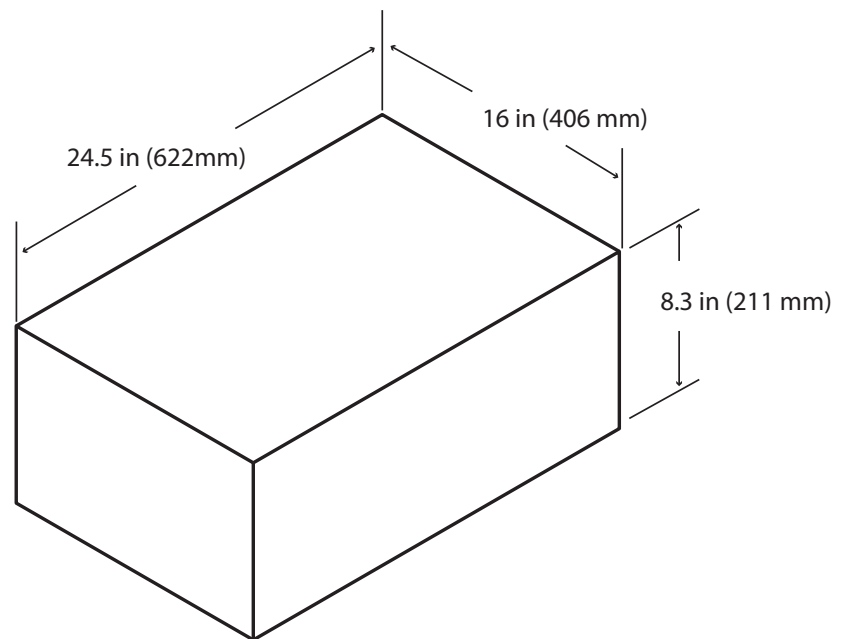


### Shipping Information:

#### Product box dimensions



#### Shipping carton dimensions (4 pieces per carton)



†Phenolic resin handles on original release, polypropylene handles on subsequent production runs.

\*Product base and packaging is slightly taller in markets outside of North America to accommodate removable power cord.