



## Cold Pro™ Oval Cold Brew System

BCPOVSYS

### Features:

- Make Cold Brew Coffee in your existing equipment
- Lift and drain design for easy use and clean up
- Includes 20 patented Brewista Essentials stand-and-fill paper filters
- Dishwasher safe polypropylene
- NSF certified
- Made in USA
- Works with Curtis® TCN series and Bunn® TDO series 3.5 gallon stainless steel narrow iced tea dispensers\*



\*Iced tea dispenser not included

MSRP: \$49.95 USD † contact [sales@mybrewista.com](mailto:sales@mybrewista.com) to order



### Cold Pro™ Oval Cold Brew System

Do more with what you've got! Brewista's new Cold Pro™ Oval Cold Brew System is built in the USA and designed to work with the most popular 3½ gallon stainless oval iced tea dispensers from Bunn® and Curtis®\*. Expand your beverage selection to include cold brew coffee!

Brewista's innovative lift and drain design lets you brew and serve your cold brew coffee in one container. When steeping is finished, just lift the basket and tabs spring out to suspend it for easy draining. Clean-up is a breeze, just dump the used filter and grounds into the trash, then place the brew basket and retainer into the dishwasher.

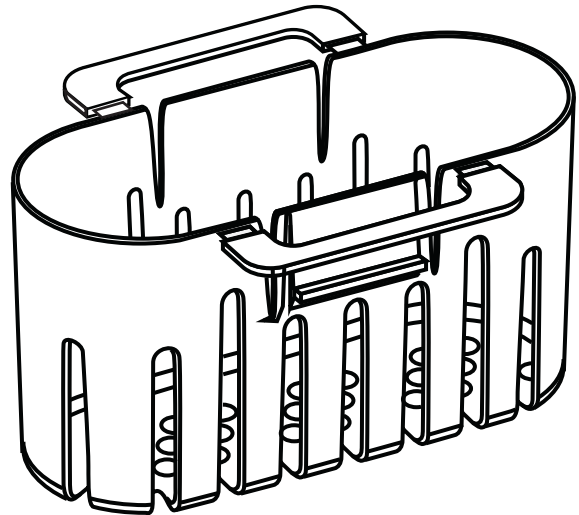
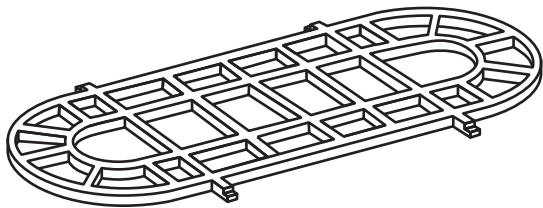
†All prices subject to change.

Bunn® is a registered trademark of Bunn-O-Matic Corporation. These products are not endorsed by the Bunn-O-Matic Corporation.  
Curtis® is a registered trademark of Wilbur Curtis Corporation. These products are not endorsed by the Wilbur Curtis Corporation.

### Parts and Materials:

Brew basket: BPA free Polypropylene

Filter/ Pod retainer: BPA free Polypropylene



### Shipping Information:

Product box dimensions

