



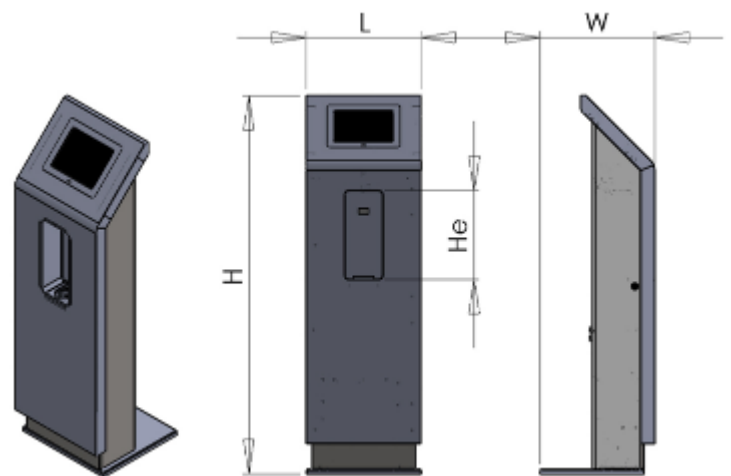
BCC
BroadCasting Cooler

vision

- Cooling capacity (Lt/h).....30
- Continuos supply (Lt).....10
- Cold water Temperature.....3° - 10° C
- Cooling technology.....Direct Chill SYSTEM - Stainless Steel Pressurized Tank
- Ice bank technology.....AVAILABLE as an OPTIONAL
- Condensation.....Forced ventilation (Fan)
- Adjustable Thermostat.....Yes (only for the Service people)
- Refrigerant Gas.....R134a or Natural HYDROCARBON gas R600 (ON REQUEST)
- Compressor Power.....1/10 HP - 350W
- Inlet water Pipeø 8 x 1mm
- Drainage.....Internal Drip Tray with the waste water pipe connection
- Dispensing area height He (mm).....308
- Typology.....Floorstanding
- Supply220 V - 50 Hz
- Working Room Temperature.....Min 5°C - Max 42°C
- NET WEIGHT Kg.....30
- GROSS WEIGHT Kg.....35
- Dimensions L x W x H (mm).....400 x 400 x 1318
- Packaging dimensions (mm).....480 x 480 x 1400
- Dispensing.....n. 1 only supply option cold water (or room temperature, or sparkling water on request)
- Or n. 3 supply options: cold still water, room temperature water or cold sparkling water
- Push buttons.....ANTI VANDALIC IP65 Stailless Steel Push Button - Momentary push button
- Materials.....All robust Stainless Steel, Thermoplastic & Aluminium parts for Indoor Public Use
- Other features.....Safety inlet valve
Predisposition for fixing a filter (OPTIONAL) inside the machine
Service maintenance from the front
Holes to fix it on the wall and floor



Multi Media Device
LCD 10.2" for JPEG photo or video with or without music - 16MPixel - USB





BCC vision

BroadCasting Cooler

- Cooling capacity (GAL/h).....8
- Continuos supply (GAL).....3
- Cold water Temperature.....37.4° - 50° F
- Cooling technology.....Direct Chill SYSTEM - Stainless Steel Pressurized Tank
- Ice bank technology.....AVAILABLE as an OPTIONAL
- Condensation.....Forced ventilation (Fan)
- Adjustable Thermostat.....Yes (only for the Service people)
- Refrigerant Gas.....R134a or Natural HYDROCARBON gas R600 (ON REQUEST)
- Compressor Power.....1/10 HP - 350W
- Inlet water Pipeø 5/16"
- Drainage.....Internal Drip Tray with the waste water pipe connection
- Dispensing area height He (in).....12.1
- Typology.....Floorstanding
- Supply110 V - 60 Hz
- Working Room Temperature.....Min 41°F - Max 107.6°F
- NET WEIGHT lb.....66.1
- GROSS WEIGHT lb.....77.2
- Dimensions L x W x H (in).....15.8 x 15.8 x 51.9
- Packaging dimensions (in).....18.9 x 18.9 x 55.1
- Dispensing.....n. 1 only supply option cold water (or room temperature, or sparkling water on request)
- Or n. 3 supply options: cold still water, room temperature water or cold sparkling water
- Push buttons.....ANTI VANDALIC IP65 Stailess Steel Push Button - Momentary push button
- Display Alarms.....No water, No CO2, Leakage
- Materials.....All robust Stainless Steel, Thermoplastic & Aluminium parts for Indoor Public Use
- Other features.....Safety inlet valve
- Predisposition for fixing a filter (OPTIONAL) inside the machine
- Service maintenance from the front
- Holes to fix it on the wall and floor



Multi Media Device
 LCD 10.2" for JPEG photo or video with or without music - 16MPixel - USB

