

HID Retrofit Series 27W



The ProLED® HID Retrofit Series lamps are an easy to install LED solution for post top and high bay fixtures. ProLED HID Retrofit lamps offer an energy-efficient alternative to traditional High Pressure Sodium and Metal Halide lamps. The 27W ProLED HID Retrofit lamps can be used in enclosed luminaires. The series is available with 4000K and 5000K color temperature.

Performance Specifications

CRI _____	82	Min. Start Temp. _____	-22°F(-30°C)
Rated Life _____	50,000 hour life	Max. Operating Temp. _____	140°F(60°C)
Watt _____	27W	Warranty _____	5-Year Limited
Lumens _____	3645	Control _____	Non-dimmable
Lumens per Watt (LPW) _____	135	Weight _____	1.96 lbs.

Energy Savings

System	Replacement LED	Wattage	Energy Savings
100W HID	HID27/840/MV2/LED	27W	73%

Construction

- Omnidirectional design ideal for base up, base down, or horizontal operation
- E26 medium base and EX39 base options
- UL listed for damp locations
- Mercury free

Installation

- Replaces high pressure sodium or metal halide lamps
- 120-277 vac input - no ballast required
- Acceptable for use in enclosed luminaires
- Rated for use in ambient temperatures up to 60°C (140°F)

Electrical

- Non-Dimmable
- 120V-277V input range
- 60Hz operating frequency
- Integral 4kV surge protection

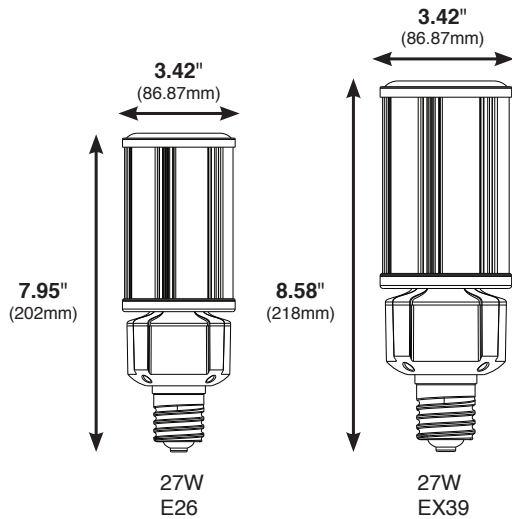
Ordering Information



Watt	Base	Product #	Product Code	Volts	Color Temp.	CRI	Lumen Output	Useful Life*	Pkg. Qty.	MOL	Equivalent Wattage
27 Watt	E26	84020	HID27/840/MV2/LED	120-277V	4000K	82	3645	50,000	1/16	7.95" (202mm)	100
27 Watt	EX39	84021	HID27/840/MV2/EX39/LED	120-277V	4000K	82	3645	50,000	1/16	8.58" (218mm)	100
27 Watt	E26	84022	HID27/850/MV2/LED	120-277V	5000K	82	3645	50,000	1/16	7.95" (202mm)	100
27 Watt	EX39	84023	HID27/850/MV2/EX39/LED	120-277V	5000K	82	3645	50,000	1/16	8.58" (218mm)	100

* Useful Life is defined as the point in time at which the lamp will maintain at least 70% of its initial lumens. The lamp will continue to operate past this point at decreased light levels.

Dimensions



Installation Steps:

- 1 TURN OFF THE POWER BEFORE INSTALLATION.
- 2 As shown in *Figure 1*;
Remove the old Ballast, Capacitor and Ignitor (if existing).

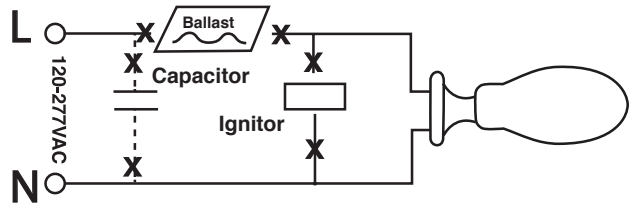


Fig 1

- 3 As shown in *Figure 2*;
Connect A/C line voltage wires directly to E26 socket.
(Reattach or replace ground lead if one is needed).

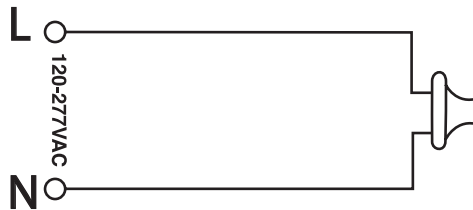


Fig 2

- 4 As shown in *Figure 3*;
Screw the LED lamp onto the corresponding socket.

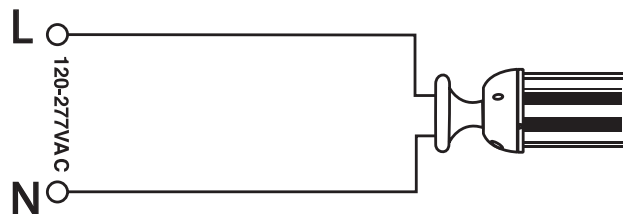
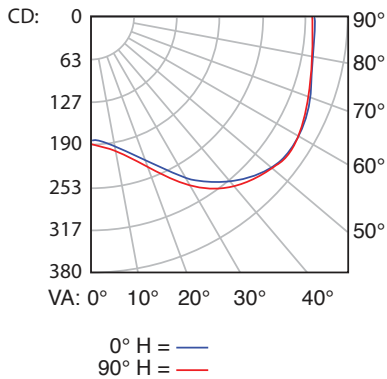


Fig 3

Photometrics

84020 & 84022

HID27/840/MV2/LED/ HID27/850/MV2/LED



84021 & 84023

HID27/840/MV2/LED/ HID27/850/MV2/EX39/LED

