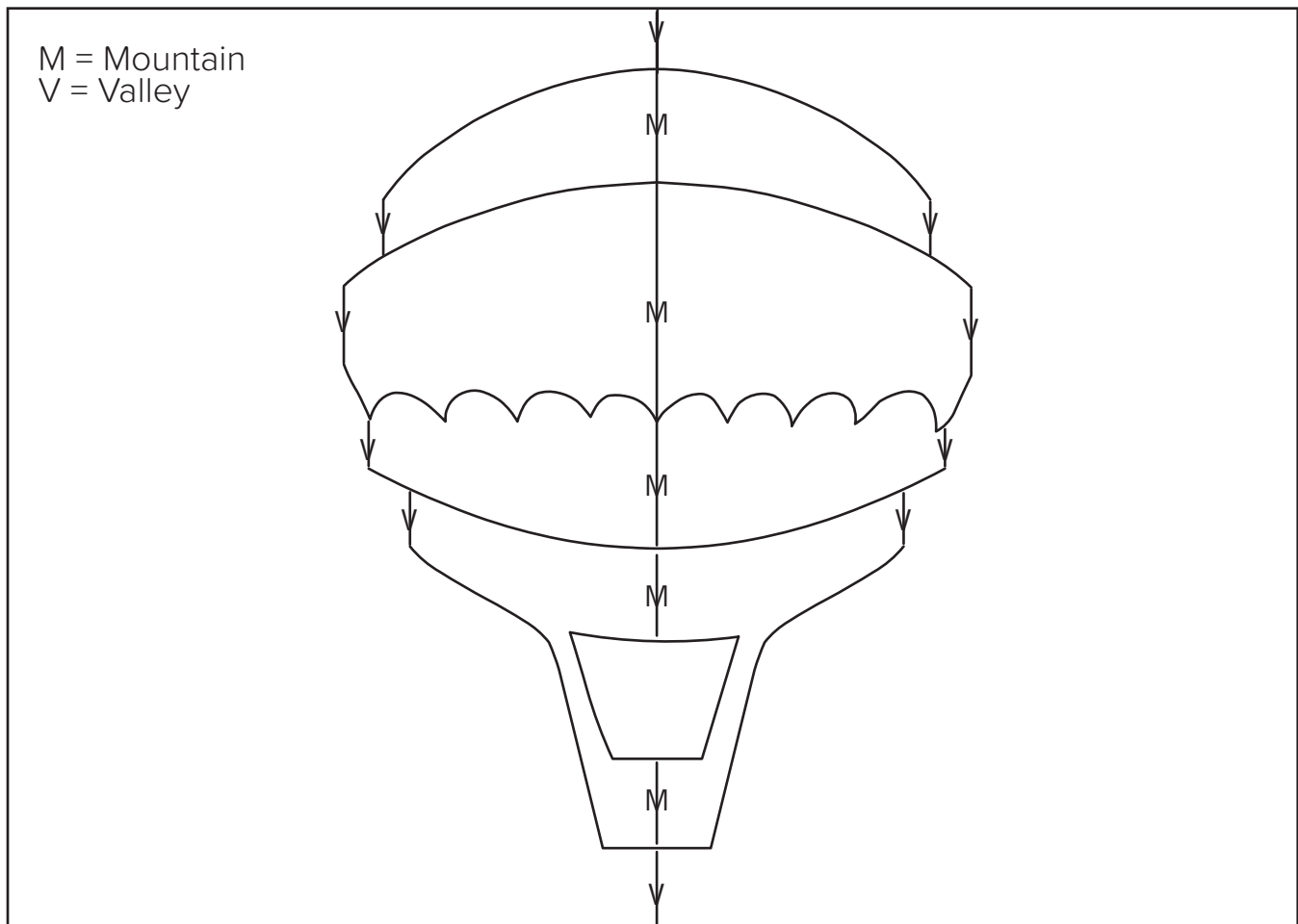


Cards In Nothing Flat™ Pop-Out Cards



Helpful Hints!

- Place one sheet of cardstock on die and cut.
- Fold along valleys and mountains as shown, beginning with the top and bottom center valley folds. Continue with the outermost folds and work toward the center of the card. Tip: Push forward from behind with one hand and 'pinch' along the fold from the front with your other hand.
- Cut backing from die (NC539). Adhere foil to backing, then adhere to pop-out card.
- Card may be embellished with rubber stamps, chinks, pencils, handmade paper and more!

