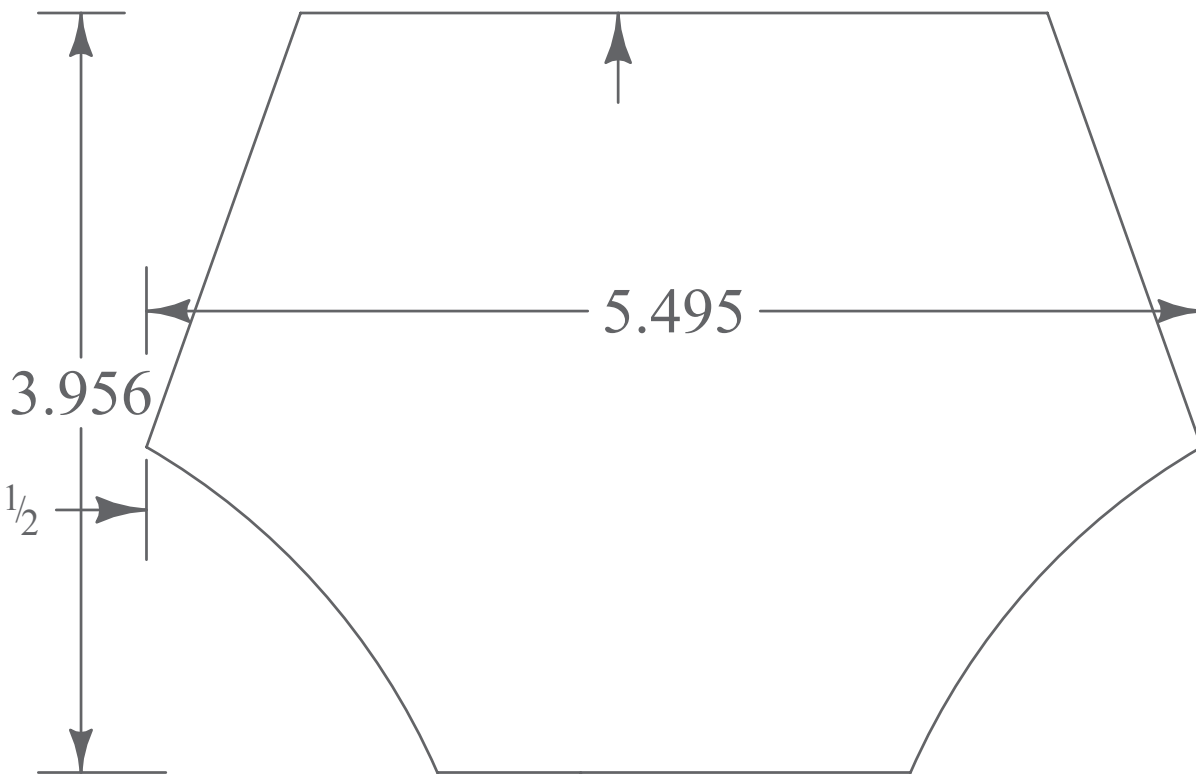
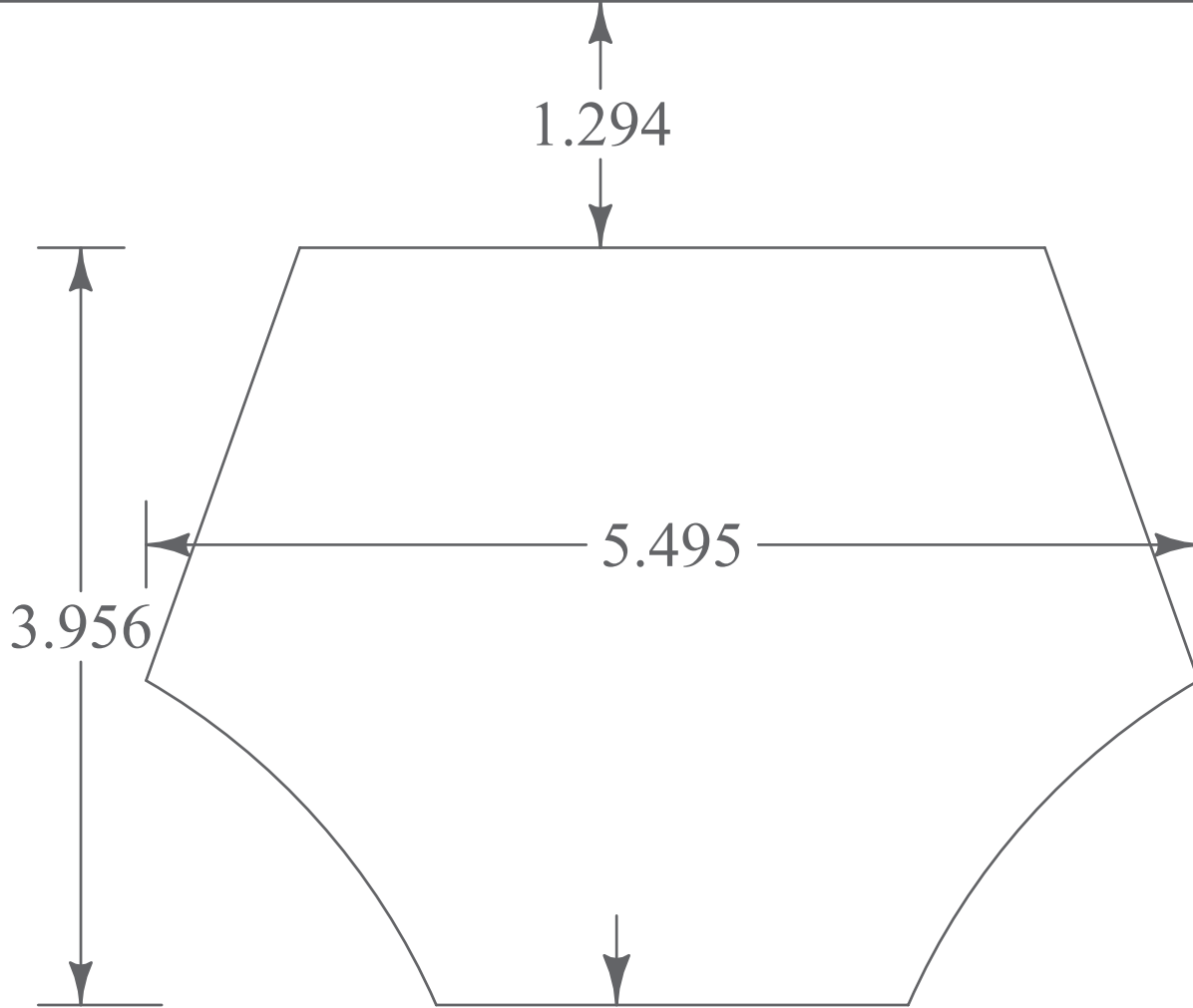


8.5" X 11" REFERENCE ONLY



\*\*Remove or hide this template before printing.\*\*

**AccuCut**<sup>®</sup>

Die Number: NC235SJ  
Die Name: Diaper #2 Mat  
All measurements are in inches.