



ASSET PROTECTION



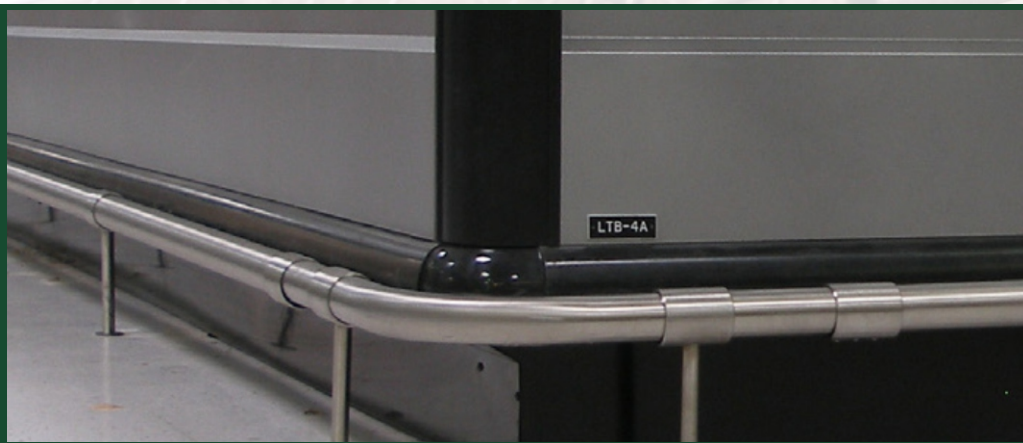
ASSET PROTECTION

- Retail Asset Protection
- Identifying Risks
- Proactive Approach
- Guard Rail Features
- Preventative Action
- Impact Absorption
- Easy Maintenance
- Flexibility

WHAT TO KNOW

GUARD RAILS

- Low Profile Design
- High Impact Absorption System
- Easy To Clean
- Corrosive Resistant
- Removable
- Indoor/Outdoor Application



BOLT DOWN BOLLARDS

- X-Spine Technology
- Rounded Tip
- V-Lock Groove Base
- Rubber Pad Base
- Easy To Install
- Removable
- Selection of heights and sizes

QUICK FACTS



LOW PROFILE



HIGH-IMPACT
ABSORPTION



OUTDOOR
INDOOR USE



DISCOVER YOUR ASSET PROTECTION OPTIONS

DIAMOND PLATE RAILS

Galvanized base w/aluminum plate.

Standard U Shaped Corner Guards



Standard sizes:

- 4"W X 4"D X 48"H
- 5.5"W X 4"D X 48"H
- 5.75"W X 4"D X 83.75"H
- 5"W X 4"D X 48"H
- 7.375"W X 4"D X 48"H
- 7.875"W X 4"D X 48"H

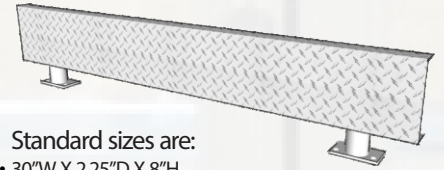
Standard L Shaped Corner Guards



Standard size:

- 4"W X 4"D X 48"H

Standard Plate Rails

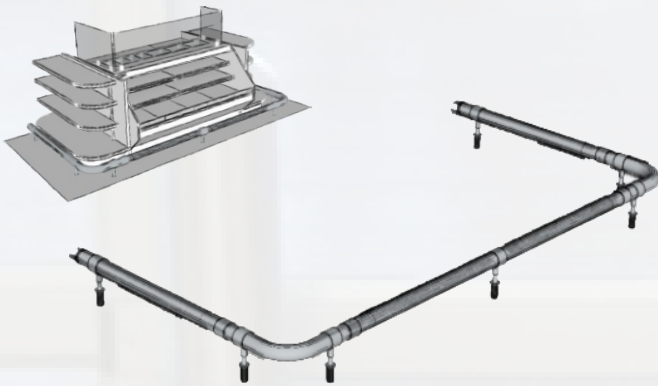


Standard sizes are:

- 30"W X 2.25"D X 8"H
- 57"W X 2.25"D X 8"H
- 60"W X 2.25"D X 8"H

More Sizes Available

COMPLETE TUBE RAIL KITS



End Cap Rail Kit



Coffin Case Rail Kit

TUBE RAILS

Brushed stainless steel



Tube Rail



90° Corner Rail



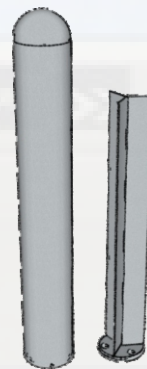
Sliding Cuff



Sleeve Cuff W/leg

BOLLARDS

Brushed stainless steel



Full Bollard



Half Bollard

YOUR ASSETS, OUR PRIORITY!

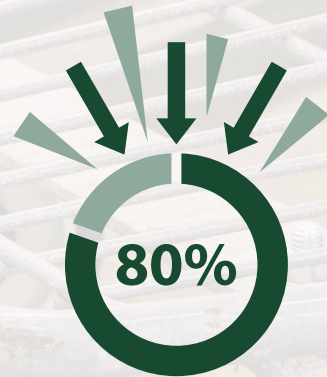


DOWNLOAD



Level Up!

We're here to help you take your asset protection to the next level!



IMPACT REDUCTION

Contact Details:

- Website: www.marcocompany.com
- Email: suzanne.johnson@marcocompany.com
- Phone: 817.244.8300

