



GROCERY

TURNKEY SOLUTIONS



GROCERY TURNKEY: TABLE OF CONTENTS



04-06 MERCHANDISING



07-08 REFRIGERATION



09-10 PLASTICS



11-12 GLASS DOORS



13-14 MILLWORK



15-16 DECOR



MERCHANDISING

The Marco Company offers a vast catalog of options for produce, bakery, wine, novelty, and floral. With over 700,000 sq ft of manufacturing space, we specialize in wood, plastic and metal displays. Custom-designed displays are available for a more unique customer experience. All merchandising displays come with a limited 1 year warranty. Visit marcocompany.com for our full line of merchandising displays.

SUGGESTIONS

PRODUCE DISPLAYS

PACKAGED BAKERY

WINE AND SPIRITS



OBP-34882 MSB
 DWG# 34882 DIM: 36" X 36" X 33"

- (2X) Adjustable shelves
- Metal corner guards
- Price tag molding



C3B48157-A-K
 DWG# 23045 DIM: 57" X 44" X 77 1/2"

- (4X) Adjustable shelves
- (2X) Pullout drawers
- Trash bin & tissue holder



WN-026
 DWG# 7747 DIM: 50" X 50" X 53 1/2"

- Shop around display
- (12X) Fixed crates & (12X) fixed shelves
- (4X) 5" Swivel casters

GROCERY TURKEY: MERCHANDISING





GROCERY TURKEY: MERCHANDISING





REFRIGERATION

Through a partnership with Thermell Refrigeration, The Marco Company offers an array of self-contained refrigeration options. Critical temp units maximize shelf life of your perishable items, dual temp units allow you to display ice cream one day and fresh shrimp the next, and the PureCold plug and play upright case gives your departments flexibility to refrigerate product without the hassle of rigorous setup and install. Visit thermell.com for additional products and information

SUGGESTIONS

OPEN AIR REFRIGERATION



4' TM UPRIGHT DISPLAY CASE
TM# 200-4V DIM: 50 1/4" X 38 1/2" X 83"

- 240 V | 4.9 A | 30.59 CFT
- Self-evaporative, no drains or pipework
- Choice of end panels & doors available

PREPARED MEAL DISPLAYS



TM ROB 3X3-FLT 41207
DWG# 41207 DIM: 36 1/4" X 36 1/4" X 37"

- 115V | 4.17 A | 2.8 CFT
- Plug & play, locking casters, auto-defrost
- Optional shelves & risers

DUAL TEMP & WARMER UNITS



TM DUAL 60
DWG# 26215 DIM: 33 3/4" X 25 1/8" X 32 1/8"

- 115 V | 3.7 A | 5 CFT
- Plug & play, dual temp, custom graphics, casters
- Lid sold separately: Item# 117-173

GROCERY TURKEY: REFRIGERATION



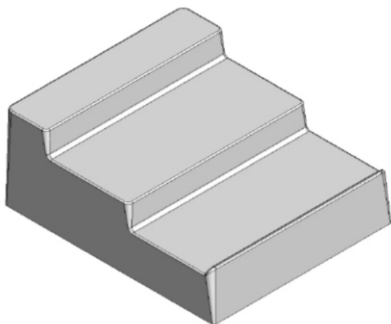


PLASTICS

The Marco Company has a wide selection of personal protective equipment including sneeze guards, disinfectant holders and signage. Options include free-standing units or directly mounted equipment. Sneeze guards can be purchased by unit or if your looking for raw material can be purchased by the sheet instead. All PPE comes with a limited 1 year warranty. Visit marcocompany.com for our full line of PPE.

SUGGESTIONS

RISERS



VEG-22

DWG# 17137 DIM: 24" X 28" X 11"

- Three-step unit
- Front lip
- Heavy-duty ABS plastic

TRAYS

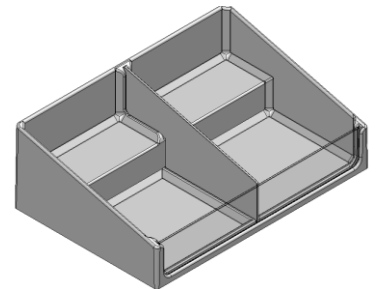


EZC

DWG# 6794 DIM: 12" X 11" X 2 1/2"

- Curved front overhang
- Heavy-duty ABS plastic
- Fit snug against shelf

SHELF ORGANIZERS



SO-16248S

DWG# 21883 DIM: 23 5/8" X 15 7/8"

- Removable ABS divider
- Removable clear front
- 2 Step shelf organizer

GROCERY TURNKEY: PLASTICS





GLASS DOORS

In 2009, The Marco Company entered a partnership with Remis America to manufacture glass covers, doors and lighting systems for commercial refrigeration units. The Marco Company focuses on building energy efficient and energy free products to help save customers money and increase product visibility. The Remi-Safe T Max, Remi-Safe HG and Remi-Safe Flex are 2021 DOE Compliant. Visit remisamerica.com for additional products and information.

GLASS DOOR OPTIONS

Remi-Safe T Max

- **Multideck door**
- Energy free
- Double pane w/ low E coating
- Insulated, non-heated glass pack
- 60° Hold-open and gravity close
- Black and gray frame options
- 3000K - 5000K LED lighting
- 20 year glass seal
- 5 year LED warranty
- **DOE Compliant**

Remi-Safe HG

- **Cooler door**
- Energy free
- Double pane w/ low E coating
- Insulated, non-heated glass pack
- 60° Hold-open and gravity close
- Black and gray frame options
- 3000K - 5000K LED lighting
- 20 year glass seal
- 5 year LED warranty
- **DOE Compliant**

Remi-Safe Flex

- **Premium all glass door**
- Energy free
- Double pane w/ low E coating
- Insulated, non-heated glass pack w/ silk screen border
- 60° Hold-open and gravity close
- Black and gray frame options
- 3000K - 5000K LED lighting
- 20 year glass seal
- 5 year LED warranty
- **DOE Compliant**

Push T

- **Glass cover**
- Energy free
- Single pane
- Smooth front to back slide
- Wide opening for easy cleaning
- RAL 7016 Anthracite gray frame
- Optional LED lighting
- 1 year material warranty

GROCERY TURNKEY: GLASS DOORS





MILLWORK

The Millwork Team handles the design and production of wood counters, fountain towers and waste receptacles. We offer laminate options including but not limited to: Formica, Wilsonart, Pionite and Chemetal. For a more durable counter top, our team is 3M certified to manufacture solid surface counter tops. All millwork items come with a 1 year limited warranty. Metal construction and stainless steel options available upon request. Visit infitidecor.com for additional products and information.

SPECIFICATIONS

MILLWORK AREAS	SUBSTRATE OPTIONS	DOOR PULLS	TOP OPTIONS	EXTRAS
Checkout	Cab Liner Plywood	3" Wire Pull	Laminate	Trash Chutes
Beverage	Raw Plywood	Bar Pull	Solid Surface	Cup/Lid Dispensers
Food/Condiment	* MDF Melamine	Recessed	* Quartz	* Refrigeration/Warmers
Self-Service	* Particle Board Mel.	Knob	Stainless Steel	LEDs

* Particle Board & MDF not recommended for food or drink areas. Quartz counters require a longer lead time. Built in refrigeration and warmers available through special approval only.

STANDARDS

- 34" Counter, 42" bar height
- 1 1/2" Top overhang & drop edge
- 2 1/4" Recessed toe kick
- Overlay doors
- Edges to have .5mm edge band
- 3/4" Thick substrate
- 1" Thick sub tops
- National cam locks (Keyed alike available)
- Salice hinges

GROCERY TURNKEY: MILLWORK





DECOR

The Decor Team handles the design and production of signage, wall coverings, and hanging canopies. Manufacturing capabilities include large format printing, CNC routing, vinyl plotting, and hand craftsmanship. The team thrives in both high volume jobs and custom unique decor packages. All Decor items come with a 1 year limited warranty. Specialty projects such as hand made signs and 3D sculptures available upon request. Visit infinitedecor.com for additional products and information.

SPECIFICATIONS

DECOR TYPES	SUBSTRATE OPTIONS	SUBSTRATE OPITONS	LED OPTIONS	EXTRA OPTIONS
Signage	EPVC	Metal	White	Chalkboard
Wall Covering	Styrene	Plastic	Red	Magnetic
Hanging Canopies	Foam	Vinyl	Green	Double Sided
* Specialty Projects	Wood	Wallpaper	Blue	Paint Mask
			Yellow	
			RGB	

* All specialty projects must be reviewed by the Decor Team for approval.

STANDARDS

- 3M Vinyl and over laminate
- Korographics abaco beach wallpaper
- 52" Max print width
- 3" Max printable thickness
- 60W or 120W Transformers
- LEDs are mini modular or diode
- Flatbed prints UV based ink
- Vinyl printed w/ latex ink
- Special materials available on request

GROCERY TURNKEY: DECOR





FULL SPECTRUM RETAIL SOLUTIONS
800.356.2848
@MARCOCOMPANY