



BAKERY

DEPARTMENT SHOWCASE



MARCO

The Marco Company story began with two brothers, Darrell Sr. and David Cooper, and their vision of establishing a company that would provide innovative merchandising solutions for the retail industry. In 1984, The Cooper brothers, along with their wives, various family members and a 5,000 square foot building, made their vision a reality in Fort Worth, Texas.

Through determination and perseverance, the Coopers founded The Marco Company and saw their dream begin to take shape. Within four years, the company had growth to 33 employees and occupied over 10,000 square feet of manufacturing space. The growth experienced by The Marco Company has continued, not only in manufacturing space and employee count, but also in expanded capabilities with a widened scope of industry segments served.

After 35 years of growth and success, The Marco Company now includes over 500 employees and over 1 million square feet of manufacturing and warehouse space. Marco remains family-owned and operated, and continues to fulfill the vision of the Cooper brothers by proudly serving the retail industry with innovative merchandising solutions.

Marco & Remis

The success of Remis started in Germany over 40 years ago, with the visionary idea of employing energy efficient insulation techniques in refrigeration technology. The Marco Company began a partnership in 2009 with Remis Germany allowing manufacturing in North & South America. Today Remis America's actions are shaped by compliance of DOE standards, providing superior glass doors, and assisting our customers with customizable solutions.

THE COOPER BROTHERS



DARRELL COOPER SR. (LEFT) - DAVID COOPER (RIGHT)

MISSION STATEMENT

Through teamwork, leadership and service, we create value for our customers by manufacturing the finest and most innovative display products.

BAKERY

| | |
|---------------------------------------|---------|
| Self-Service | 04 - 09 |
| Display Shelving | 10 - 13 |
| Display Table | 14 - 17 |
| Standard Materials and Finishes | 18 |
| Warranty | 19 |

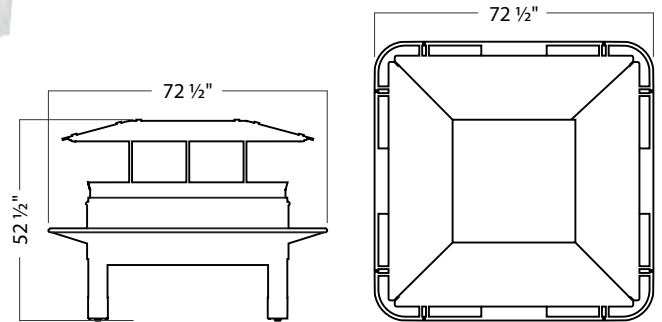
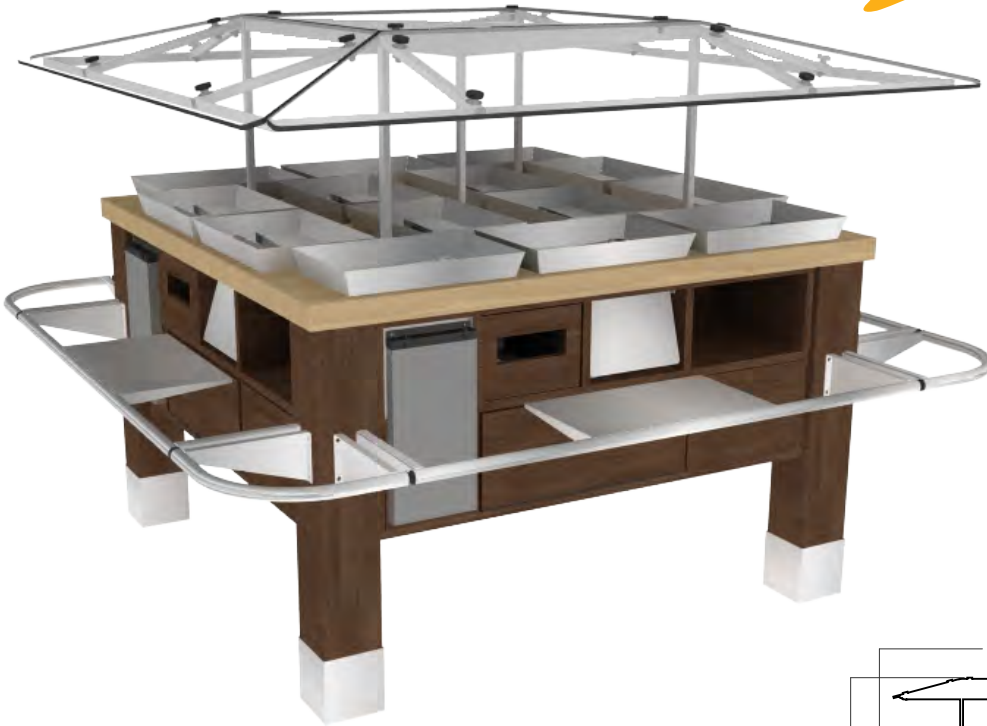


SELF-SERVICE





Indulge Yourself



DIMENSIONS & SPECS

BAK-1214

- Butcher block top w/ glass sneeze guards
- Guard rails, landing zones & metal leg caps
- (14X) Metal baskets w/ tongs: 10" X 17" X 2"
- Bag holders, tissue holders & trash bins

| DWG# | Dimensions | Use |
|--|---|-------------------------------------|
| 29693 | 72 1/2" X 72 1/2" X 52 1/2" | Single Pasties Donuts Muffins |
| Materials | Hardware | Orientation |
| Red Oak & Walnut Brushed Stainless Steel 3/8" Temper Glass | Tissue Holder Basket: MET-BSKT 04 SS Tongs: ZC106 | Island |



EXC-BAK-72X20

DWG#: 38680 **DIM:** 20 3/4" X 72" X 70 13/16"

- (9X) Adjustable shelves at 0° or 15°
- (3X) Glass doors & lighting system
- (3X) Box shelves & (3X) tilt bins



BAK-1549

DWG#: 38287 **DIM:** 25 1/8" X 82 3/8" X 58 13/16"

- 3" Swivel casters
- (2X) Drawers & (9X) adjustable shelves
- (3X) Glass doors & lighting system



BAK-39

DWG#: 11657 **DIM:** 72" X 30 3/4" X 60"

- Shelf at 28°, lower shelving & rear storage
- Clear acrylic bins w/ tongs: 17 1/2" X 14" X 8"
- Sneeze guard, tissue holder & storage baskets



BSS-001

DWG#: 11910 **DIM:** 48" X 24" X 78 1/4"

- (8X) Slanted wire trays: 20 5/8" X 21 3/8" X 6 3/4"
- (2X) Glass swing doors & lighting system
- Tissue holders, bag holder & crumb tray



C3B48148-A-K

DWG#: 23053 **DIM:** 48" X 43 5/8" X 77 1/2"

- (4X) Adjustable shelves at 0° or 15°
- (2X) Glass doors, lighting system & mirror
- (2X) Storage drawers, trash bin & tissue holder



BAK-1503

DWG#: 36605 **DIM:** 48" X 30" X 70"

- 12V warmer w/ divided bin & adjustable shelf
- Sneeze guards & lighting system
- Tongs, bag holder & metal leg caps



MET-503

DWG#: 10410 **DIM:** 113" X 33" X 77 3/16"

- Hot rack roll-in case
- (4X) Glass doors w/closers
- Removable door ramps & lighting system



MET-502

DWG#: 7203 **DIM:** 85" X 33" X 77"

- Hot rack roll-in case
- (6X) Glass doors w/closers
- Removable door ramps & lighting system



KR-BAKTBL2

DWG#: 28407 **DIM:** 59 1/2" X 33 1/8" X 61 5/8"

- Divided front bins & rear sliding door storage
- 28° displaying table top metal
- Sneeze guard, tissue holder & trash bin

BAKERY: SELF-SERVICE



BAK-1457

DWG#: 35241 DIM: 58" X 47 7/8" X 75"

- (6X) Clear acrylic bins: 17 3/4" X 18 13/16" X 18"
 - (6X) Box shelves & (10X) S hooks
- (4X) Swivel casters, bag holders & tongs



M-CART-008

DWG#: 5876 DIM: 62 3/4" X 45 3/8" X 75 1/16"

- (4X) Glass doors & (4X) fixed shelves at 30°
- (2X) Collapsible shelves & (2X) wagon wheels
- Sign holders, tissue holders & bag holders



BAK-800

DWG#: 1430 DIM: 49 1/2" X 38 1/2" X 62 1/2"

- (8X) SM: clear acrylic bins: 11 3/4" X 12" X 10"
- (8X) LG: clear acrylic bins: 11 3/4" X 17 3/4" X 10"
 - (2X) Extensions, sign & bag holders



BAK-625

DWG#: 7722 DIM: 42 1/4" X 42 1/4" X 63 1/16"

- Bulk display w/ (2X) removable dividers
 - Sign holder, tongs & bag holder
- (4X) 3" Swivel casters w/ locks



PBT-005

DWG#: 25859 DIM: 55" X 48 1/2" X 52 5/8"

- Powder coated metal table top w/ wood legs
- (4X) Divided acrylic bins: 23 1/4" X 25 3/4" X 11 1/4"
 - Track sign holders, bag holders & tongs



M-CART-004

DWG#: 7871 DIM: 48" X 27" X 68 3/4"

- (2X) Fixed shelves at 10° & 6" swivel casters
 - Sneeze guards & lighting system
 - Tissue holder & bag holder



BAK-811 2

DWG#: 15452 DIM: 38 1/2" X 37 1/2" X 62 1/2"

- (6X) SM: clear acrylic bins: 35 1/2" X 12" X 10"
- (6X) LG: clear acrylic bins: 35 1/2" X 17 3/4" X 10"
 - Sign, tissue holders, bag holders & tongs



KR COOKIE CRT

DWG#: 23780 DIM: 48" X 40" X 67 1/4"

- (4X) Glass doors & (4X) fixed shelves at 20°
- (4X) Swivel casters w/ locks & sign holder
- Trash bins, tissue holders & tong holders



BAK-1101

DWG#: 21327 DIM: 52" X 40 1/16" X 74 5/16"

- 12V Upright warmer w/ sneeze guards
- (8X) SM: wire baskets: 15" X 10" X 2 1/2"
- (8X) LG: wire baskets: 17" X 10" X 2 1/2"



BAK-1289

DWG#: 31731 **DIM:** 60" X 40 3/16" X 96 1/16"

- (3X) Adjustable shelves at 0°/15°
- (2X) Divided racks
- (2X) Glass doors & lighting system



BAK-1408

DWG#: 33919 **DIM:** 60" X 40 3/16" X 96 1/16"

- (3X) Adjustable shelves at 0°/15° & divided rack
- (2X) Glass doors, lighting system
- Without doors available: DWG# 34118



BAK-1290

DWG#: 31732 **DIM:** 60" X 40 3/16" X 96 1/16"

- (5X) Adjustable shelves at 0°/15°
- (2X) Glass doors & lighting system
- Without doors available: DWG# 35333



DN019445

DWG#: 23047 **DIM:** 60" X 40 3/16" X 96 1/16"

- (4X) Adjustable shelves at 0° or 15°
- (2X) Glass doors & lighting system
- Trash bins & tissue holders



BAK-1160

DWG#: 27454 **DIM:** 60" X 40 3/16" X 96 1/16"

- (3X) Adjustable shelves at 0°/15° & (20X) peg hangers
- (15X) Wire baskets: 20 1/8" X 11 1/2" X 5 5/16"
- (2X) Glass doors & lighting system



BAK-1159

DWG#: 27452 **DIM:** 60" X 40 3/16" X 96 1/16"

- (4X) Adjustable shelves at 0° or 15°
- (2X) Glass doors & lighting system
- Divided bins, trash bins & tissue holders



DN019446

DWG#: 23048 **DIM:** 60" X 40 3/16" X 96 1/16"

- (2X) Adjustable shelves at 0°/15° & divided rack
- (2X) Glass doors & lighting system
- Trash bins, tissue holders & bumper



BAK-1422

DWG#: 34279 **DIM:** 60" X 40 3/16" X 96 1/16"

- (2X) Adjustable shelves at 0°/15°
- (20X) Clear acrylic bins: 22 3/8" x 11 3/4" X 6 3/4"
- (2X) Glass doors & lighting system



DN019448 ENDPNL

DWG#: 23076 **DIM:** 3 1/2" X 39 15/16" X 96"

- End panel used to finish wall cases
- Decorative hardwood front
- Smooth back & sides



DISPLAY SHELVING





BAKERY: DISPLAY SHELVING



BAK-622

DWG# 7782

DIM: 40" X 40" X 48"

- Multi-tiered slatted upright
 - 40" X 40" base
- 25" X 25", 31" X 31" & 38" X 38" tier
- (4X) 3" Swivel casters



BAK-586

DWG#: 5620 **ITEM#:** 38" X 30" X 53 1/4"

- (3X) Adjustable shelves & fixed shelves at 10°
- Wood bins, metal baskets & metal shelves
- (4X) 2" Swivel casters & sign holder



BAK-1331

DWG#: 32730 **DIM:** 25 1/4" X 24" X 56 1/2"

- Slatted upright w/ chalkboard sign
- (6X) Fixed shelves at 15°: 12" X 22"
- (4X) 3" Swivel casters w/ locks



BAK-457

DWG#: 0641 **DIM:** 31" X 20 3/4" X 60 1/2"

- Slatted upright w/ chalkboard sign
 - (5X) Fixed shelves at 10°
- (4X) 3" Swivel casters w/ locks



MET-CH 001

DWG#: 7883 **DIM:** 19" X 17" X 63 1/2"

- Powder coated metal upright w/ sign holder
- (2X) Fixed 15° shelves & (3X) fixed 10° shelves
- (2X) 3" Rigid casters



BAK-570

DWG#: 5198 **DIM:** 24" X 30 5/8" X 83 3/4"

- Wood & powder coated metal upright
- (5X) Adjustable shelves at 0° or 15°
- 3" Swivel casters



BAK-677

DWG#: 15312 **DIM:** 53 X 45" X 61 7/16"

- Adjustable shelves at 0°: 45" X 19"
- (4X) Adjustable shelves at 0°: 45" X 17"
- (4X) 3" Swivel casters & sign holder



BAK-1356

DWG#: 32563 **DIM:** 48" X 33 1/2" X 47 1/16"

- Tiered upright w/ metal leg caps
- Fixed shelf at 20°: 17" & fixed shelf at 20°: 21"
 - Fixed shelf at 20°: 28"



BAK-676

DWG#: 15267 **DIM:** 53" X 31" X 50 5/16"

- Slatted upright w/ adjustable shelf at 0°: 45" X 19"
 - (2X) Adjustable shelves at 0°: 45" X 17"
 - (4X) 3" Swivel casters w/ locks



BAK-400

DWG#: 1659 **DIM:** 48" X 24 3/4" X 51 3/16"

- Adjustable shelf at 0° or 15°: 47 1/2" X 12 3/4"
- Adjustable shelf at 0° or 15°: 47 1/2" X 19 1/4"
 - (4X) 3" Swivel casters



BAK-402

DWG#: 2509 **DIM:** 51 1/2" X 48" X 50 1/4"

- (2X) Adjustable shelves at 0° & 15°: 12 3/4"
- (2X) Adjustable shelves at 0° & 15°: 19 1/4"
 - (6X) 3" Swivel casters



BAK-473

DWG#: 1856 **DIM:** 48" X 25 1/2" X 52 3/4"

- Slatted upright
- (4X) Adjustable shelf at 15°: 15", 17", 20" & 23"
 - (4X) 3" Swivel casters



DISPLAY TABLE





BAKERY: DISPLAY TABLE



BAK-517

DWG#: 7168 **DIM:** 89 3/8" X 89 3/8" X 56 27/32"

- Octagonal table w/ (12X) collapsible shelves
- (4X) Extensions: 28 1/4" X 14" & sign holders
- (8X) Swivel casters w/ locks & swivel casters



BAK-141

DWG#: 4819 **DIM:** 70" X 46 3/4" X 30 1/4"

- Wood table w/ 3" swivel casters
- (2X) Shelves w/ 6" front lip at 45°: 44 1/2" X 9"
- (2X) Shelves w/ 6" front lip at 45°: 24 1/2" X 9"



NT-139 SET

DWG#: 32795 **DIM:** See description

- Black laminate centers w/ wood bases
- LG: 48" X 30" X 36" & MD: (2X) 38" X 30" X 31 1/4"
- SM: (2X) 28" X 30" X 26 1/2"



BAK-1052

DWG#: 24180 **DIM:** 48" X 36" X 42"

- Wood table w/ 24" X 16" riser
- (2X) Collapsible shelves: 34 1/2" X 16 1/2"
- (2X) Extensions: 17 3/4" & 3" swivel casters



BAK-520

DWG#: 7167 **DIM:** 89" X 39 1/2" X 54"

- (6X) Pull out extensions
- (4X) Collapsible table tops, (3X) removable risers
- (4X) Swivel casters & side door storage



BAK-117

DWG#: 0027 **DIM:** 72" X 37" X 29 7/16"

- Wood slatted table w/ collapsible shelves
- 35 3/4" X 19 1/2" Riser & 3" swivel casters
- Pre-cut slot to store riser under table



BAK-138

DWG#: 4614 **DIM:** 36" X 36" X 30"

- Wood table w/ laminate top
- (4X) 3" Swivel casters w/ locks



NT-100 SET

DWG#: 28250 **DIM:** See description

- Laminate top table set w/ corner guards
- LG: 60" X 30" X 34 11/16" & MD: 48" X 30" X 29 11/16"
- SM: 36" X 30" X 24 11/16"



NT-44

DWG#: 18711 **DIM:** See description

- Metal frame w/ composite centers
- LG: 49 7/16" X 19 7/16" X 37", MD: 41 7/16" X 19 7/16" X 29 3/8"
- SM: 33 7/16" X 19 7/16" X 21 7/8"



NT-04 OBK SET
DWG#: 6437 **DIM:** See description

- Black laminate centers w/ wood bases
- LG: 38" X 30" X 31 1/4" & MD: 28" X 30" X 26 1/2"
- SM: 18" X 30" X 21 3/4"



NT-03 SET
DWG#: 6127 **DIM:** See description

- Wood table set
- LG: 48" X 30" X 36 3/8" & MD: 38" X 30" X 31 5/8"
- SM: 28" X 30" X 26 7/8"



NT-86 O
DWG#: 25264 **DIM:** See description

- LG: 36" X 36" X 32 3/8" w/ (8X) J clip catchers
- (4X) SM: 33 3/4" X 24" X 22 3/8" w/ (2X) J clips
- Sign holder, metal corner guards & brackets



NT-20
DWG#: 19816 **DIM:** See description

- Wood table set w/ metal corner brackets
- LG: 41 1/2" X 30" X 36", MD: (2X) 31 1/2" X 24" X 28"
- SM: (2X) 21 1/2" X 24" X 20 3/8"



NT-124 SET
DWG#: 33168 **DIM:** See description

- LG: 36" X 36" X 39 1/2" w/ corner guards
- SM: (2X) 26" X 14" X 21 1/2" w/ corner guards
- Removable riser: 21" X 21" X 9"



NT-1241 SET
DWG#: 31009 **DIM:** See description

- Wood table set w/ riser: 18" X 12" X 10"
- LG: 48" X 48" X 35 7/8", MD: (2X) 38" X 38" X 30 3/8"
- SM: (2X) 28" X 28" X 22 3/8", XS: (2X) 35" X 18" X 24 1/2"



NT-32 SET
DWG#: 17104 **DIM:** See description

- Wood table set w/ decorative & turned legs
- LG: 72" X 36" X 32" & MD: 60" X 36" X 20 1/2"
- SM: 24" X 24" X 20 1/2", Riser: 48" X 18" X 13 1/4"



NT-114 SET
DWG#: 30663 **DIM:** See description

- Galvanized metal tops w/ wood bases
- LG: 41" X 24" X 26" & MD: 32 1/2" X 24" X 21"
- SM: 24" X 24" X 16" & XS: 15 1/2" X 24" X 11"



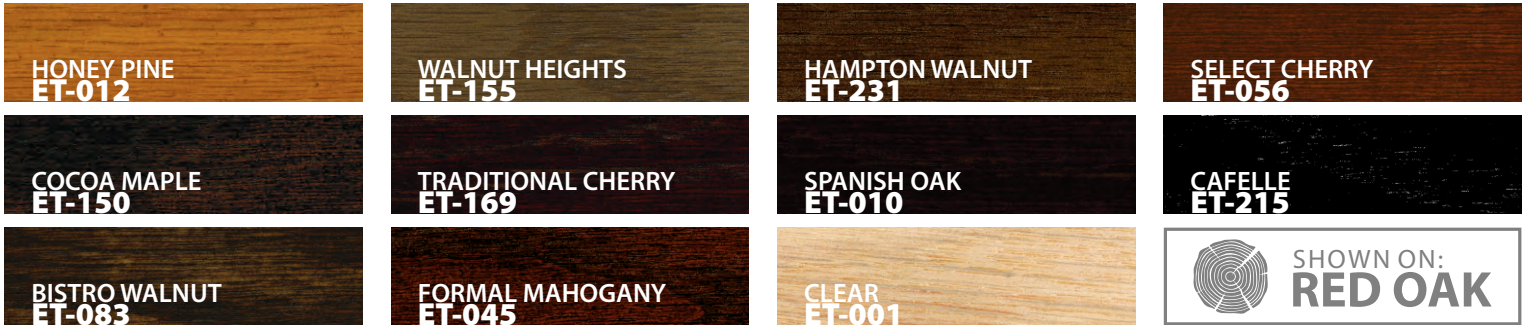
NT-37404
DWG#: 37404 **DIM:** See description

- LG: 60" X 30" X 32" w/ (2X) extensions
- MD: (2X) 47 3/4" X 22 1/2" X 26"
- Removable riser: 37 1/2" X 13 1/2" X 11"

MATERIALS



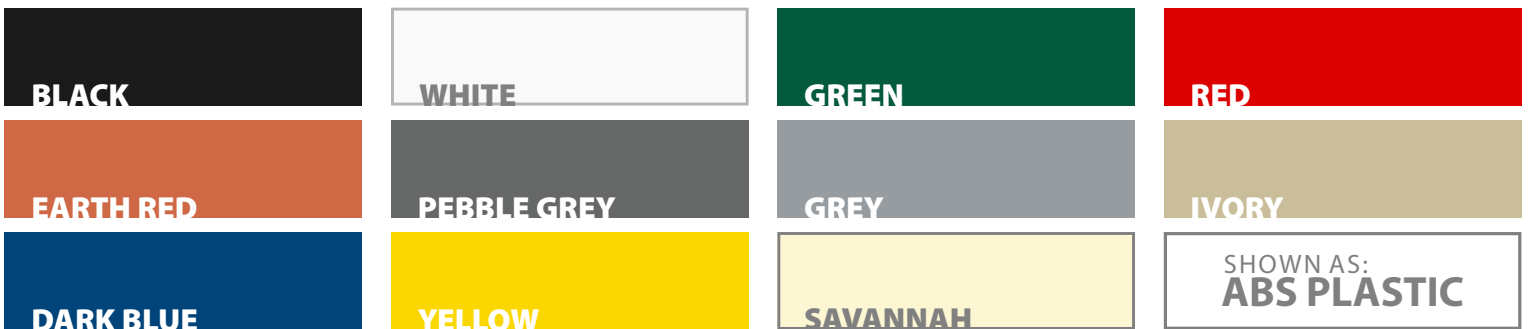
LACQUER STAINS



POWDERCOAT



FINISHES



For a full list of finishes, please consult with your area sales representative.

**Payment Terms**

Net 30 days with approved credit.

Credit Card Policy

All credit card orders must include card number, name as it is printed on the credit card, expiration date, & security code if required.

International Orders

All international orders are handled by advance wire payment only. Please contact our office at 817-244-8300 or one of our representatives for details.

Tax Policy

Final product destinations in CA, FL, MI, NJ, OH, TX & WA will have sales tax added to the invoice. Final product destinations in other states may be required to add applicable sales tax.

Warranty Information

All equipment manufactured by the Marco Company is warranted by the Marco Company to function for a period of one year from the date of purchase. Any equipment that is defective due to poor workmanship or materials will be replaced at no charge or your money will be refunded. For purposes of this warranty, material defects exclude the natural variant & characteristics of wood products. This warranty does not cover circumstances beyond our control such as abuse, freight damages, failure to follow proper guidelines in assembly and/or maintaining the equipment, or natural disasters.

Shipping & Handling

The customer is responsible for all freight charges. The Marco Company will work to ship your order using the most appropriate method & carrier. The Marco Company will prepay & add freight charges to the invoice. Our Customer Service Department will track shipments, provide freight quotes, & proofs of delivery. International shipping is available to most countries. Please provide the United States export forwarder information when placing the order. This includes the name, address, & phone number. Shipping does not include inside delivery. All customers are responsible for unloading from the carriers' tailgate. Anyone with special delivery requirements should include instructions at the time of ordering.

RMA Policy

The Marco Company takes great care in packaging every order, so that it arrives in good condition. All returns require a Return Material Authorization (RMA) number. Please contact Marco Company Customer Service at 1-800-356-2848 if you need to obtain an RMA.

Concealed Damage

The Marco Company will repair or replace concealed damage items reported within 4 days of delivery. The customer will be responsible for all returns and replacement freight charges.

Non-Defective Returns

All non-defective returns, when RMA granted, will be subject to a restocking fee. Custom items are non returnable. Customer is responsible for all return freight charges

Returns Processing

Upon receipt of returned product, Marco Company will inspect and notify you that we have received your return. Upon inspection and return is approved we will initiate an exchange or a refund.

All returns are subject to a 35% restocking fee.

Limited Liability

Customer's sole & exclusive remedy for any alleged defects or nonconformity of products shall be, at The Marco Company's option, repair, replacement or refund or credit for a pro rata portion of the purchase price attributable thereto. Under no circumstances shall The Marco Company be liable for any special, incidental, consequential, exemplary, punitive, multiple, personal injury or property damages, or other indirect or liquidated damages, costs or loss of profit incurred by Customer as a direct or indirect result of design, manufacturing, sale, installation or use of products or any defect or nonconformity in the products, or delay or failure or delay of delivery, whether based on warranty, contract, tort, strict liability, negligence, or otherwise, regardless of whether The Marco Company was aware of or should have been aware of the possibility of such damages or costs. The Marco Company's liability in connection with the sale of products shall not exceed the net sales price of the defective products received by it.

Severability

These terms & conditions of sale shall not be construed against the party preparing them but shall be construed as if all parties jointly prepared these terms & conditions of sale & any uncertainty or ambiguity shall not be interpreted against any one party. If any provision hereof is held to be illegal, invalid or unenforceable under any present or future laws, such provision shall be fully severable & the terms & conditions herein shall be construed & enforced as if such illegal, invalid or unenforceable provision had never been made a part hereof. The remaining provisions herein shall remain in full force & effect & shall not be affected by such illegal, invalid or unenforceable provisions or by their severance here from.

Governing Law/Exclusive Forum

These terms & conditions shall be governed by & be construed in accordance with the internal laws of the State of Texas, without regard to the conflicts of laws principles thereof. Parties hereby irrevocably submit all disputes &/or claims to the jurisdiction of the United States District Court for the Northern District of Texas, &, if such court does not have jurisdiction, of the courts of the State of Texas in Tarrant County, for the purposes of any proceeding arising out of these terms & conditions, or the subject matter hereof or thereof, brought by any other party.

Catalog Notes

The Marco Company makes all reasonable efforts to ensure the information in this catalog is correct; however, it is possible errors may occur. The Marco Company is not liable for misprints or other errors in this catalog. In addition, The Marco Company reserves the right to change pricing, minimum order requirements or product specifications & availability without prior notice. The Marco Company strongly recommends customer testing of product to ensure product meets all customer requirements for all intended applications.



FULL SPECTRUM RETAIL SOLUTIONS
800.356.2848
@MARCOCOMPANY