



# DEFENDER® 3000

Washdown Bench Scales



Counting function is not legal-for-trade

## ***Stainless Steel Bench Scales for Basic Industrial Washdown Applications***

The Defender 3000 Washdown Bench Scales are ideal for general weighing, simple counting and checkweighing applications in damp environments, or when washdown cleaning is required. The Defender 3000 Series features a simple, yet rugged, stainless steel design and IP66 stainless steel indicator with tactile keys, multicolor backlit LCD display, AC or standard rechargeable battery operation and flexible mounting capabilities.

### ***Unique Features:***

- Results are clearly shown using the large, bright backlit LCD display. In Checkweighing mode display changes color (yellow/green/red) to alert when within the target weight range.
- This tough industrial scale features a 304-stainless steel platform, frame, column and IP67 load cell. Indicator features an IP66 protected 304-stainless steel housing and mounting bracket.
- Features software for Parts Counting, Checkweighing and Totalization. Includes RS232 with optional second port USB Device or Ethernet for printing or data connectivity.

# DEFENDER® 3000 Washdown Bench Scales

## Specifications

### Column Mount Bench Scales

| Model  | i-D33XW15C1R6  | i-D33XW30C1R6                                      | i-D33XW75C1R6   | i-D33XW75C1L7   |
|--|--|--|---|---|
| Capacity x<br>Default Readability            | 15 kg x 2 g<br>30 lb x 0.005 lb<br>480 oz x 0.1 oz   | 30 kg x 5 g<br>60 lb x 0.01 lb<br>960 x 0.2 oz     | 75 kg x 10 g<br>150 lb x 0.02 lb<br>2,400 oz x 0.5 oz | 75 kg x 10 g<br>150 lb x 0.02 lb<br>2,400 oz x 0.5 oz                             |
| Capacity x<br>Certified/Approved Readability | 15 kg x 5 g<br>30 lb x 0.01 lb<br>480 oz x 0.2 oz  | 30 kg x 10 g<br>60 lb x 0.02 lb<br>960 oz x 0.5 oz | 75 kg x 50 g<br>150 lb x 0.05 lb<br>2,400 oz x 1 oz   | 75 kg x 50 g<br>150 lb x 0.05 lb<br>2,400 oz x 1 oz                               |
| Maximum Displayed Resolution                 | 1:7,500  | 1:6,000  | 1:7,500   | 1:7,500   |
| Linearity/Repeatability                      | ±1d  |  |   |   |
| Maximum Certified Resolution                 | 1:3,000  |  |   |   |
| Indicator                                    | 304 stainless steel indicator  |  |   |   |
| Column                                       | 330 mm / 13 in stainless steel   |  |   | 680 mm / 26.8 in stainless steel  |
| Base Construction                            | Stainless steel removable weighing platform with stainless steel frame, silicon sealed IP67 stainless steel loadcell |  |   |   |
| Safe Overload Capacity                       | 150% of maximum capacity   |  |   |   |
| Stabilization Time                           | Within 1 second  |  |   |   |
| Operating Temperature Range                  | 14°F to 104°F / -10°C to 40°C  |  |   |   |
| Scale Dimensions<br>(A x B x C x D x E x F)  | 355 x 305 x 121.8 x 75 x 541.6 x 481.9 mm<br>14 x 12 x 4.8 x 3 x 21.3 x 19 in  |  |   | 550 x 420 x 134 x 80 x 896.1 x 685.6 mm<br>21.7 x 16.5 x 5.3 x 3.1 x 35.3 x 27 in |
| Shipping Dimensions<br>(L x W x H)           | 642 x 497 x 212 mm<br>25.3 x 19.6 x 8.3 in   |  |   | 857 x 564 x 225 mm<br>33.7 x 22.2 x 8.9 in  |
| Approx. Net Weight                           | 12.3 kg  |  |   | 19.2 kg   |
| Approx. Shipping Weight                      | 15.3 kg  |  |   | 23.3 kg   |

| Model  | i-D33XW150C1L7   | i-D33XW150C1X7  | i-D33XW300C1X7                    |
|--|--|---|-----------------------------------|
| Capacity x<br>Default Readability            | 150 kg x 20 g<br>300 lb x 0.05 lb<br>4,800 oz x 1 oz   | 150 kg x 20 g<br>300 lb x 0.05 lb<br>4,800 oz x 1 oz                                | 300 kg x 50 g<br>600 lb x 0.1 lb  |
| Capacity x<br>Certified/Approved Readability | 150 kg x 50 g<br>300 lb x 0.1 lb   | 150 kg x 50 g<br>300 lb x 0.1 lb  | 300 kg x 100 g<br>600 lb x 0.2 lb |
| Maximum Displayed Resolution                 | 1:7,500  |   | 1:6,000                           |
| Linearity/Repeatability                      | ±1d  |   |                                   |
| Maximum Certified Resolution                 | 1:3,000  |   |                                   |
| Indicator                                    | 304 stainless steel indicator  |   |                                   |
| Column                                       | 680 mm / 26.8 in stainless steel   |   |                                   |
| Base Construction                            | Stainless steel removable weighing platform with stainless steel frame, silicon sealed IP67 stainless steel loadcell |   |                                   |
| Safe Overload Capacity                       | 150% of maximum capacity   |   |                                   |
| Stabilization Time                           | Within 1 second  |   |                                   |
| Operating Temperature Range                  | 14°F to 104°F / -10°C to 40°C  |   |                                   |
| Scale Dimensions<br>(A x B x C x D x E x F)  | 550 x 420 x 134 x 80 x 896.1 x 685.6 mm<br>21.7 x 16.5 x 5.3 x 3.1 x 35.3 x 27 in                                    | 650 x 500 x 150 x 90 x 894.6 x 784.6 mm<br>25.6 x 19.7 x 5.9 x 3.5 x 35.2 x 30.9 in |                                   |
| Shipping Dimensions<br>(L x W x H)           | 857 x 564 x 225 mm<br>33.7 x 22.2 x 8.9 in   | 1,022 x 687 x 247 mm<br>40.2 x 27 x 9.7 in  |                                   |
| Approx. Net Weight                           | 19.2 kg  | 31.8 kg   |                                   |
| Approx. Shipping Weight                      | 23.3 kg  | 35.3 kg   |                                   |

# DEFENDER® 3000 Washdown Bench Scales

## Specifications

### Front Mount Bench Scales

| Model  | i-D33XW15C1R5   | i-D33XW30C1R5                                      | i-D33XW75C1R5   | i-D33XW75C1L5  |
|--|---|--|---|--|
| Capacity x<br>Default Readability            | 15 kg x 2 g<br>30 lb x 0.005 lb<br>480 oz x 0.1 oz  | 30 kg x 5 g<br>60 lb x 0.01 lb<br>960 x 0.2 oz     | 75 kg x 10 g<br>150 lb x 0.02 lb<br>2,400 oz x 0.5 oz |  |
| Maximum Displayed Resolution                 | 1:7,500   | 1:6,000  | 1:7,500   |  |
| Linearity/Repeatability                      | ±1d   |  |   |  |
| Capacity x<br>Certified/Approved Readability | 15 kg x 5 g<br>30 lb x 0.01 lb<br>480 oz x 0.2 oz   | 30 kg x 10 g<br>60 lb x 0.02 lb<br>960 oz x 0.5 oz | 75 kg x 50 g<br>150 lb x 0.05 lb<br>2,400 oz x 1 oz   |  |
| Maximum Certified Resolution                 | 1:3,000   |  |   |  |
| Indicator                                    | 304 stainless steel indicator   |  |   |  |
| Mount  | 304 stainless steel front-mount bracket with handle   |  |   |  |
| Base Construction                            | Stainless steel removable weighing platform with stainless steel frame,<br>silicon sealed IP67 stainless steel loadcell |  |   |  |
| Safe Overload Capacity                       | 150% of maximum capacity  |  |   |  |
| Stabilization Time                           | Within 1 second   |  |   |  |
| Operating Temperature Range                  | 14°F to 104°F / -10°C to 40°C   |  |   |  |
| Scale Dimensions<br>(A x B x C x D x E x F)  | 355 x 305 x 121.8 x 75 x 130 x 645.5 mm<br>14 x 12 x 4.8 x 3 x 5.1 x 25.4 in  |  |   | 550 x 420 x 134 x 80 x 132.9 x<br>842 mm<br>21.7 x 16.5 x 5.3 x 3.1 x 5.2 x<br>33.1 in |
| Shipping Dimensions<br>(L x W x H)           | 857 x 564 x 225 mm<br>33.7 x 22.2 x 8.9 in  |  |   | 1,022 x 687 x 247 mm<br>40.2 x 27 x 9.7 in   |
| Approx. Net Weight                           | 11.9 kg   |  |   | 18.1 kg  |
| Approx. Shipping Weight                      | 14.3 kg   |  |   | 22.2 kg  |

| Model  | i-D33XW150C1L5  | i-D33XW150C1X5   | i-D33XW300C1X5                    |
|--|---|--|-----------------------------------|
| Capacity x<br>Default Readability            | 150 kg x 20 g<br>300 lb x 0.05 lb<br>4,800 oz x 1 oz  |  | 300 kg x 50 g<br>600 lb x 0.1 lb  |
| Maximum Displayed Resolution                 | 1:7,500   |  | 1:6,000                           |
| Linearity/Repeatability                      | ±1d   |  |                                   |
| Capacity x<br>Certified/Approved Readability | 150 kg x 50 g<br>300 lb x 0.1 lb  |  | 300 kg x 100 g<br>600 lb x 0.2 lb |
| Maximum Certified Resolution                 | 1:3,000   |  |                                   |
| Indicator                                    | 304 stainless steel indicator   |  |                                   |
| Mount  | 304 stainless steel front-mount bracket with handle   |  |                                   |
| Base Construction                            | Stainless steel removable weighing platform with stainless steel frame,<br>silicon sealed IP67 stainless steel loadcell |  |                                   |
| Safe Overload Capacity                       | 150% of maximum capacity  |  |                                   |
| Stabilization Time                           | Within 1 second   |  |                                   |
| Operating Temperature Range                  | 14°F to 104°F / -10°C to 40°C   |  |                                   |
| Scale Dimensions<br>(A x B x C x D x E x F)  | 550 x 420 x 134 x 80 x 132.9 x 842 mm<br>21.7 x 16.5 x 5.3 x 3.1 x 5.2 x 33.1 in  | 650 x 500 x 150 x 90 x 133 x 941 mm<br>25.6 x 19.7 x 5.9 x 3.5 x 5.2 x 37 in |                                   |
| Shipping Dimensions<br>(L x W x H)           | 1,022 x 687 x 247 mm<br>40.2 x 27 x 9.7 in  | 1,022 x 687 x 247 mm<br>40.2 x 27 x 9.7 in                                   |                                   |
| Approx. Net Weight                           | 18.1 kg   | 30.8 kg  |                                   |
| Approx. Shipping Weight                      | 22.2 kg   | 34.3 kg  |                                   |

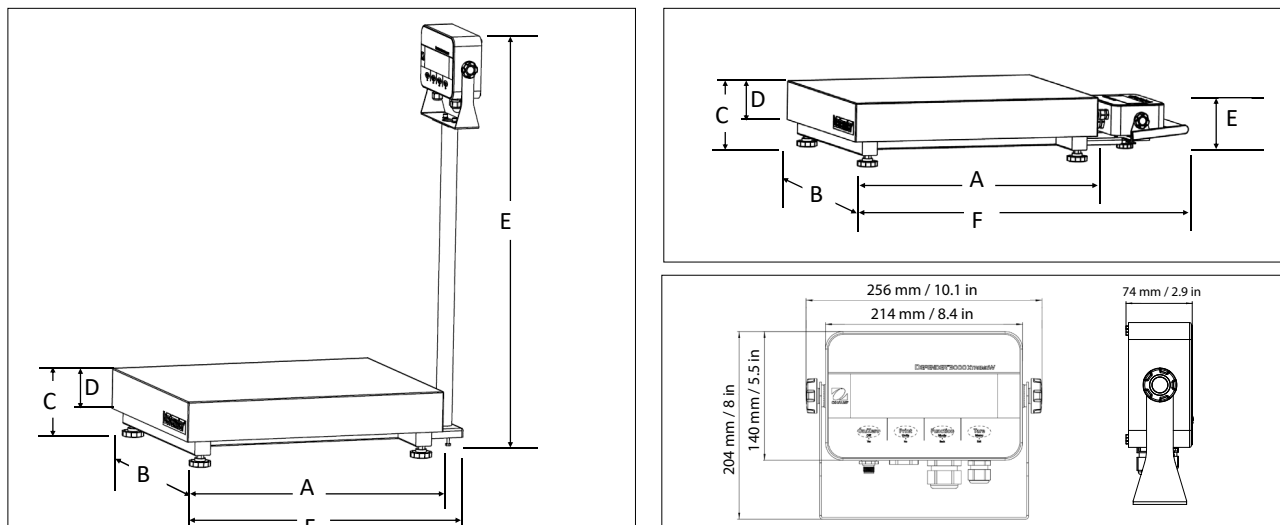
# DEFENDER® 3000 Washdown Bench Scale

## Specifications

### Indicator

| Model              | i-DT33XW  |
|--------------------|---|
| Construction       | 304 stainless steel housing and mounting bracket  |
| Protection         | IP66  |
| Weighing Units     | Kilogram, Gram, Pound, Ounce, Pound: Ounce  |
| Application Modes  | Weighing, Parts Counting, Checkweighing and Totalization  |
| Display            | 6-digit, 7-segment LCD display with multi-color backlight, 45 mm / 1.8 in high digits                 |
| Check Indicator    | 3 color (red, green, yellow) backlight  |
| Keyboard           | 4 membrane function keys  |
| Auto-zero Tracking | Off, 0.5 d, 1 d or 3 d  |
| Zeroing Range      | 2% or 100% of capacity  |
| Interface          | RS232 included<br>Optional second port USB Device or Ethernet   |
| Power              | 100-240 VAC / 50/60 Hz Universal Power Supply, hardwired<br>or standard internal rechargeable battery |
| Battery Life       | Up to 100 hours continuous use with backlight off   |
| Calibration        | Zero, Span or 3 point-Linear  |

## Outline Dimensions



## Compliance

- **Metrology:** NTEP (Indicator: CC 21-070, Platforms: CC 21-075); Measurement Canada (Indicator: NoA AM-6183, Platforms: NoA AM-6180) Class III
- **Product Safety:** UL61010-1; CAN/CSA C22.2 61010-1; IEC/EN 61010-1
- **Electromagnetic Compatibility:** FCC Part 15 Class A; Canada ICES-003 Class A; IEC/EN 61326-1 Class B, basic environments
- **Ingress Protection:** IEC 60529 – IP66 (for indicator), IEC 60529 – IP67 (for load cell)
- **Compliance Marks:** CSA, CE
- **Other:** WEEE, RoHS

## Accessories

|  |          |
|--|----------|
| Ethernet Kit.....  | 30429666 |
| USB Device Kit i-DT33 .....  | 30699120 |
| Dust Cover (5) i-DT33.....   | 30699121 |
| Wheel Kit, Defender Series<br>(Max. load: 300 kg / 600 lb) .....                 | 30372146 |
| Wheel Kit Stainless Steel Defender Series<br>(Max load: 600 kg / 1,200 lb) ..... | 30616409 |
| Carrying Handle Kit Stainless Steel i-DT33.....                                  | 30696600 |
| SF40A Printer .....  | 30064202 |
| Cable RS232 i-DT33XW.....  | 80500552 |

80776725\_A 20220523 © Copyright OHAUS Corporation

**OHAUS CORPORATION**  
7 Campus Drive  
Suite 310  
Parsippany, NJ 07054 USA

Tel: 800.672.7722  
973.377.9000  
Fax: 973.944.7177

[www.ohaus.com](http://www.ohaus.com)

*The management system  
governing the manufacture  
of this product is  
ISO 9001:2015 certified.*

