



Valor[®] 7000

Compact Bench Scales



The Best Compact Food Scale in its Class!

The OHAUS Valor 7000 compact food scale is the newest scale in the OHAUS line of reliable and durable products that will increase your food weighing and processing productivity. Dual displays and touchless sensors, user-friendly menu and setup, along with the speed and accuracy of the results provide for a seamless and hassle-free user experience that is second to none.

Standard Features Include:

- **Front and Rear Touchless Sensors Minimize Food Contamination** — Touchless sensors allow Valor 7000 to operate certain functions without the touch of a button, reducing the risk of food cross-contamination and extending the life of the scale!
- **Dual Backlit Displays Allow For Quick and Easy Weighing** — Large front and rear displays with brilliant backlights and checkweighing LED's are among Valor 7000's user-friendly features allow two operators to work on one scale at the same time or for retail use.
- **Rapid Stabilization Provides Unmatched Throughput** — Reap the benefits of a one second stabilization time and precise results, greatly increasing throughput.

Valor[®] 7000 Compact Bench Scale

Front and Rear Touchless Sensors Minimize Food Contamination

Touchless sensors located in the front and rear allow you to do all of your weighing without ever touching the scale! Determine weight and perform zero, tare or print operations with one swift hand motion. This will help reduce the chances of food cross-contamination and ultimately provide years of reliable service.

Dual Backlit Displays Allow for Quick and Easy Weighing in Retail Use

Valor 7000's many functional features make it one of the most user-friendly products on the market. Large displays on front and back of the Valor 7000 allow it to be used in countertop retail applications where the consumer needs to see the weight on the platform. This feature also allows two operators to share one scale and are easy to read even from a distance. The 1.5" front display and 1" rear display are both equipped with an LCD backlight for added clarity. The bright checkweighing LED's clearly show when the weight on the platform is under, over or within the target range.

Rapid Stabilization Provides Unmatched Throughput

See your results in a blink of an eye! Valor 7000 produces precise results in just one second. Maximize your time and increase your throughput by quickly displaying results. Eliminate diminished productivity and the concern of unstable results with Valor 7000.

Stainless Steel Platform, Sturdy Housing and Non-Slip Grip

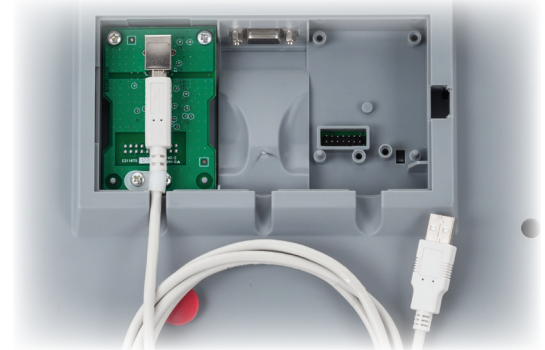
Valor 7000 features a removable stainless steel weighing platform and sturdy ABS housing that can stand up to daily use under the most demanding conditions. The large, non-slip leveling feet grip the counter's surface and prevent the scale from sliding during use.

Standard Connectivity with Flexible Options

Standard RS232 with optional Ethernet, second RS232 or USB offers additional data transfer capabilities and allows connection to multiple peripherals

Certifications

The Valor 7000's food-safe design is NSF Certified, USDA-AMS Accepted and supports HACCP-Certified systems. The Valor 7000 Series of scales meets or exceeds the Class III accuracy requirements in accordance with NIST Handbook 44 and Canada's Weights and Measures Regulation.



Portability and Versatile Power Options

With its convenient integrated carrying handle and rechargeable lead acid battery that can provide power for more than 210 hours between recharges, the Valor 7000 can provide many hours of uninterrupted operation wherever you need it in your business. The Valor 7000 includes an internal power transformer, so there are no outlet-hogging powerpacks, just a dedicated line cord.



Application Modes

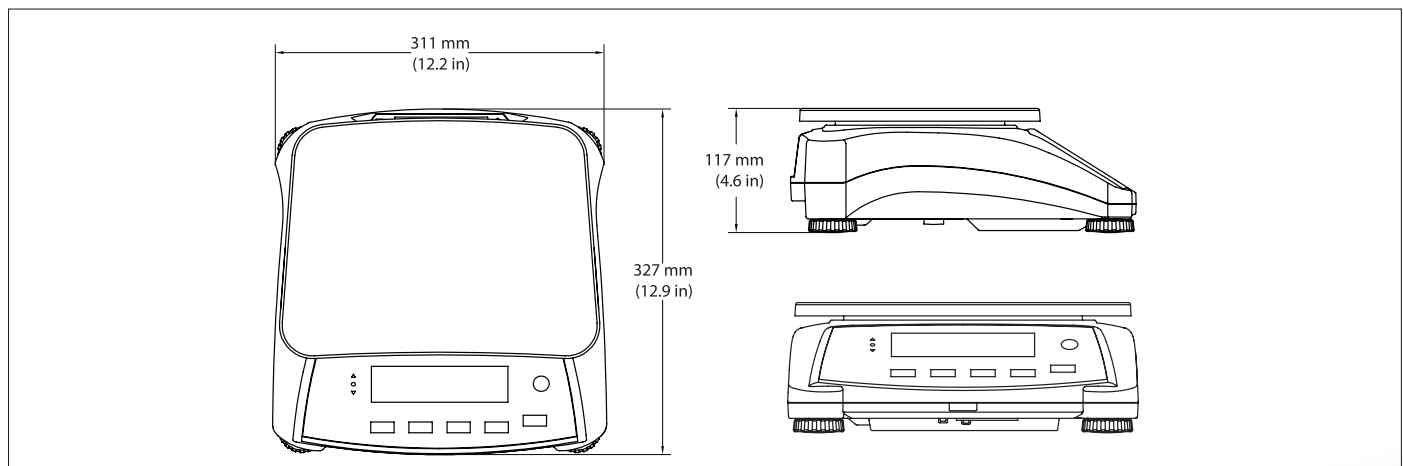
- **Weighing** — Determine the weight of items in one or more weighing units -- lb, oz, lb:oz, kg or g – use the 0.05g to 1g readability for weighing additives, spices and yeast.
- **Percentage Weighing** — The Valor 7000 includes % weighing for recipe formulation and baker's percentages. Just weigh the flour on the Valor's platform, capture the reference weight and all other ingredients can be weighed as a % of the flour weight, making small batches of dough quick and easy to work up!
- **Check Weighing or % Check** — Use the bright red/yellow/green LED's to easily fill containers and packages by weight or by % — great for sorting, grading and portioning.
- **Accumulation** — Keep a running total of all items by weight or percent of reference for recording long production run results.



Statistics Printer Ready!

Combine the Valor® 7000 with the new OHAUS SF40A statistics printer and keep track of information critical for SQC processes

Outline Dimensions



Valor® 7000 Compact Bench Scale

Model	V71P1502T	V71P3T	V71P6T	V71P15T	V71P30T
Default Capacity × Readability	1.5 kg × 0.00005 kg 3 lb × 0.0001 lb 1,500 g × 0.05 g 48 oz × 0.002 oz	3 kg × 0.0001 kg 6 lb × 0.0002 lb 3,000 g × 0.1 g 96 oz × 0.005 oz	6 kg × 0.0002 kg 15 lb × 0.0005 lb 6,000 g × 0.2 g 240 oz × 0.01 oz	15 kg × 0.0005 kg 30 lb × 0.001 lb 15,000 g × 0.5 g 480 oz × 0.02 oz	30 kg × 0.001 kg 60 lb × 0.002 lb 30,000 g × 1 g 960 oz × 0.05 oz
Certified Capacity × Readability	1.5 kg × 0.0005 kg 3 lb × 0.001 lb 1,500 g × 0.5 g 48 oz × 0.02 oz	3 kg × 0.001 kg 6 lb × 0.002 lb 3,000 g × 1 g 96 oz × 0.05 oz	6 kg × 0.002 kg 15 lb × 0.005 lb 6,000 g × 2 g 240 oz × 0.1 oz	15 kg × 0.005 kg 30 lb × 0.01 lb 15,000 g × 5 g 480 oz × 0.2 oz	30 kg × 0.01 kg 60 lb × 0.02 lb 30,000 g × 10 g 960 oz × 0.5 oz
Maximum Displayed Resolution	1:30,000	1:30,000	1:30,000	1:30,000	1:30,000
Certified/Approved Resolution	1:3,000	1:3,000	1:3,000	1:3,000	1:3,000
Construction	Stainless steel platform, ABS plastic housing				
Weighing Units	kg, g, lb, oz, lb:oz kg, g, lb, oz (certified)				
Application Modes	Weighing, Checkweighing, Checkpercent, Percent Weighing, Accumulation				
Display	Front: 1.5 in / 40 mm high LCD display with white backlight, 6-digit, 7-segment Rear: 1 in / 26 mm high LCD display with white backlight, 6-digit, 7-segment				
Checkweighing Indicators	3 LED (yellow, green, red) with configurable operation and alert beeper				
Operation	5 mechanical keys plus two touchless sensors				
Zero Range	2% or 10% of full scale capacity				
Tare Range	Full capacity by subtraction				
Stabilization Time	1 second				
Auto-Zero Tracking	Off, 0.5, 1 or 3 divisions				
Safe Overload Capacity	150% of capacity				
Power	100-240 VAC / 50-60 Hz internal universal power supply, internal rechargeable lead acid battery				
Battery Operation	210 hours continuous use between recharges with 12 hour recharge time				
Calibration	External, with user-selectable calibration weight value				
Interface	Built-in RS232, optional 2 nd RS232, USB, Ethernet				
Operating Temperature Range	14°F to 104°F / -10° C to 40° C				
Ingress Protection	IP43				
Platform Size (W × L)	11.8 × 8.9 in. / 300 × 225 mm				
Scale Dimensions (W × L × H)	12.2 × 12.9 × 4.6 in. / 311 × 327 × 117 mm				
Shipping Dimensions (W × L × H)	15.6 × 17.6 × 7.7 in. / 397 × 447 × 195 mm				
Net Weight	9.2 lb / 4.2 kg				
Shipping Weight	12 lb / 5.45 kg				

Other Standard Features and Equipment

Transportation handle, sealed front panel, menu lockswitch, up front level indicator, adjustable leveling feet, selectable environmental and auto-print settings, stability indicator, overload and underload indicators, low battery indicator, selectable auto shut-off, auto tare

Approvals

- **Metrology:** NIST Handbook 44 (NTEP CC 13-022) and Measurement Canada Weights and Measures Regulations (AM-5907C), OIML R76-1 (R76/2006-NL1-12-46), (Class III, nmax 3000)
- **Product Safety:** CSA-C22.2 61010-1, UL 61010-1
- **Electromagnetic Compatibility:** FCC Part 15 Class A, IEC 61326-1 (emissions Class B, immunity Industrial requirements)
- **Food Safety:** NSF/ANSI 169, NSF/ANSI /3-A 14159-1

Accessories

Ethernet Kit	30037447
Second RS232 Kit	30037448
USB Kit	30037449
Weigh Below Hook	30037450
In Use Cover for V71 (one pc)	30037445
In Use Cover for V71 (10 pcs)	30037469
SF40A Impact Printer with Cable	30064203

OHAUS CORPORATION

* 7 Campus Drive
Suite 310
Parsippany, NJ 07054 USA

Tel: 800.672.7722
973.377.9000
Fax: 973.944.7177

www.ohaus.com

With offices throughout
Europe, Asia, and
Latin America

*ISO 9001:2008
Registered Quality
Management System

