



WLC 1/10.X2 Precision Balance, WLC 10.X2 Precision Balance, WLC 20.X2 Precision Balance, WLC 0.6.X2 Precision Balance, WLC 0.2.X2 Precision Balance, WLC 2.X2 Precision Balance, WLC 21.X2 Precision Balance, WLC 6.X2 Precision Balance

More information on the website
radwag.com/us/info,w1,N90



WLC 1/10.X2 Precision Balance
WLC 10.X2 Precision Balance
WLC 20.X2 Precision Balance
WLC 2.X2 Precision Balance
WLC 21.X2 Precision Balance
WLC 6.X2 Precision Balance

WLC 0.6.X2 Precision Balance

WLC 0.2.X2 Precision Balance

The drawings, photos and graphics used are for illustrative purposes only.

Functions

- | | | | |
|-----------------------------|-----------------------|-------------------------------|------------------|
| Autotest | Dosing | Percent Weighing | Parts counting |
| Peak hold | Formulation | Newton unit measurement | Statistics |
| Checkweighing | IR sensors | Under-pan weighing | GLP Procedures |
| Animal weighing | Density determination | Ambient conditions monitoring | Replaceable unit |
| Statistical Quality Control | ALIBI Memory | Mass for titrator | Wi-Fi |

Datasheet

	WLC 0.2.X2 Precision Balance	WLC 0.6.X2 Precision Balance	WLC 2.X2 Precision Balance
Maximum capacity [Max]	0,2 kg	0,6 kg	2 kg
Readability [d]	0,001 g	0,01 g	0,01 g
Verification scale interval [e]	-	-	-
Tare range	-0,2 kg	-0,6 kg	-2 kg
Repeatability	0,0014 g	0,008 g	0,015 g
Linearity	±0,003 g	±0,03 g	±0,03 g
Stabilization time	2 s	2 s	2 s
Adjustment	internal (automatic)	internal (automatic)	internal (automatic)
Physical parameters			
Leveling system	manual	manual	manual
Display	5" graphic color touchscreen	5" graphic color touchscreen	5" graphic color touchscreen
Protection class	IP 43	IP 43	IP 43
Delivery components		Balance, weighing pan, weighing pan shield, grounding bumper ×1, bumper ×3, power supply.	Balance, weighing pan, weighing pan shield, grounding bumper ×1, bumper ×3, power supply.
Weighing pan dimensions	ø100 mm	128×128 mm	195×195 mm
Packaging dimensions	495×400×515 mm	470×380×336 mm	470×380×336 mm
Net weight	1,8 kg	2,2 kg	2,2 kg
Gross weight	3,4 kg	3,8 kg	3,8 kg
Features of use			
Database capacity	7	7	7
Communication interface	2×RS232 ¹ , USB-A, USB-B, Ethernet, Wi-Fi	2×RS232 ¹ , USB-A, USB-B, Ethernet, Wi-Fi	2×RS232 ¹ , USB-A, USB-B, Ethernet, Wi-Fi
Power supply	Adapter: 100 – 240V AC 50/60Hz 0,6A; 12V DC 1,2A Balance: 10 – 15VDC 0,6A max	Adapter: 100 – 240V AC 50/60Hz 0,6A; 12V DC 1,2A Balance: 10 – 15VDC 0,6A max	Adapter: 100 – 240V AC 50/60Hz 0,6A; 12V DC 1,2A Balance: 10 – 15VDC 0,6A max
Operating temperature	+10 ÷ +40 °C	+10 ÷ +40 °C	+10 ÷ +40 °C

Datasheet

	WLC 6.X2 Precision Balance	WLC 10.X2 Precision Balance	WLC 1/10.X2 Precision Balance
Maximum capacity [Max]	6 kg	10 kg	10 kg
Readability [d]	0,1 g	0,1 g	0,01 / 0,1 g
Verification scale interval [e]	-	-	-
Tare range	-6 kg	-10 kg	-10 kg
Repeatability	0,1 g	0,08 g	0,015 / 0,08 g
Linearity	±0,3 g	±0,3 g	±0,03 / 0,3 g
Stabilization time	2 s	2 s	4 / 2 s
Adjustment	internal (automatic)	external	external
Physical parameters			
Leveling system	manual	manual	manual
Display	5" graphic color touchscreen	5" graphic color touchscreen	5" graphic color touchscreen
Protection class	IP 43	IP 43	IP 43
Delivery components			Balance, weighing pan, weighing pan shield, grounding bumper ×1, bumper ×3, power supply.
Weighing pan dimensions	195×195 mm	195×195 mm	195×195 mm
Packaging dimensions	470×380×336 mm	470×380×336 mm	470×380×336 mm
Net weight	2,2 kg	2,2 kg	2,2 kg
Gross weight	3,8 kg	3,8 kg	3,8 kg
Features of use			
Database capacity	7	7	7
Communication interface	2×RS232 ¹ , USB-A, USB-B, Ethernet, Wi-Fi	2×RS232 ¹ , USB-A, USB-B, Ethernet, Wi-Fi	2×RS232 ¹ , USB-A, USB-B, Ethernet, Wi-Fi
Power supply	Adapter: 100 – 240V AC 50/60Hz 0,6A; 12V DC 1,2A Balance: 10 – 15VDC 0,6A max	Adapter: 100 – 240V AC 50/60Hz 0,6A; 12V DC 1,2A Balance: 10 – 15VDC 0,6A max	Adapter: 100 – 240V AC 50/60Hz 0,6A; 12V DC 1,2A Balance: 10 – 15VDC 0,6A max
Operating temperature	+10 ÷ +40 °C	+10 ÷ +40 °C	+10 ÷ +40 °C

Datasheet

	WLC 20.X2 Precision Balance	WLC 21.X2 Precision Balance
Maximum capacity [Max]	20 kg	21 kg
Readability [d]	0,1 g	1 g
Verification scale interval [e]	-	-
Tare range	-20 kg	-21 kg
Repeatability	0,1 g	0,8 g
Linearity	±0,3 g	±3 g
Stabilization time	3 s	3 s
Adjustment	external	external
Physical parameters		
Leveling system	manual	manual
Display	5" graphic color touchscreen	5" graphic color touchscreen
Protection class	IP 43	IP 43
Delivery components		
Weighing pan dimensions	195×195 mm	195×195 mm
Packaging dimensions	470×380×336 mm	470×380×336 mm
Net weight	2,2 kg	2,2 kg
Gross weight	3,8 kg	3,8 kg
Features of use		
Database capacity	7	7
Communication interface		
	2×RS232 ¹ , USB-A, USB-B, Ethernet, Wi-Fi	2×RS232 ¹ , USB-A, USB-B, Ethernet, Wi-Fi
Power supply		
	Adapter: 100 – 240V AC 50/60Hz 0,6A; 12V DC 1,2A Balance: 10 – 15VDC 0,6A max	Adapter: 100 – 240V AC 50/60Hz 0,6A; 12V DC 1,2A Balance: 10 – 15VDC 0,6A max
Operating temperature		
	+10 ÷ +40 °C	+10 ÷ +40 °C

* Wi-Fi® is a registered trademark of Wi-Fi® Alliance.



Accessories

!Balance Storage Case
RS 232 cables (scale - printer)
Barcode scanners
Cigarette lighter receptacle power supply cables
USB cable (scale - printer)
Under-pan weighing
Power Adapters

Anti-draft Chamber for balances with a weighing pan 128×128mm
Density determination KIT
Displays
Draft Shield
Receipt Printer
Protective cover for balances
RS 232, RS 485 cables

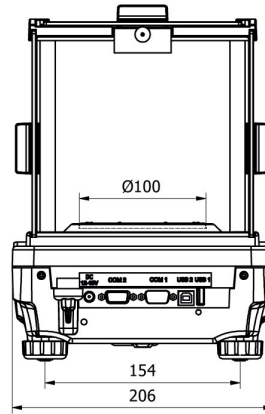
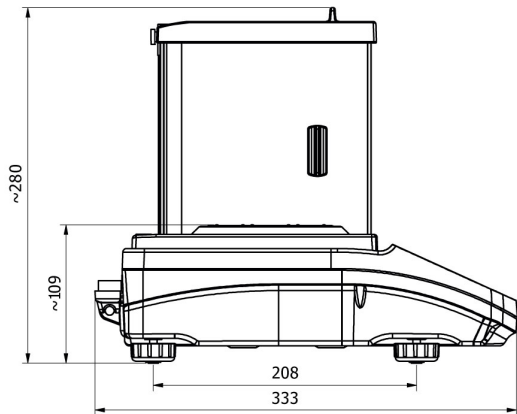
Software

!RAD-KEY
!ALIBI Reader
RADWAG Development Studio
!R.Barcode

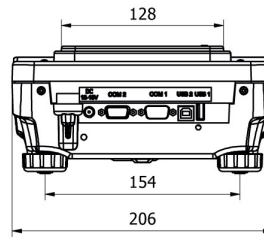
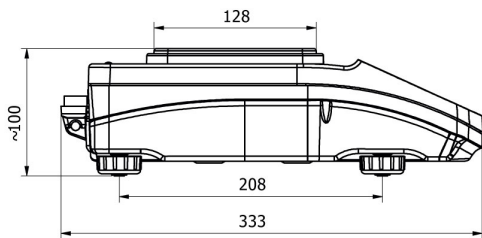
!LabVIEW Driver
!Scales Editor 2.1
E2R System

Device dimensions

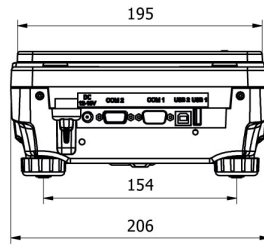
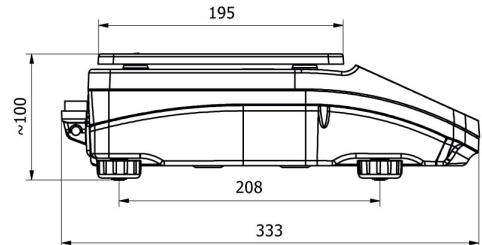
WLC 1/10.X2 Precision Balance, WLC 10.X2 Precision Balance, WLC 20.X2 Precision Balance, WLC 0.6.X2 Precision Balance, WLC 0.2.X2 Precision Balance, WLC 2.X2 Precision Balance, WLC 21.X2 Precision Balance, WLC 6.X2 Precision Balance



WLC X2, d = 0.001 mg



WLC X2, d = 0.01 mg



WLC X2, d = 0.1 mg