

Luxeo

Stereo Microscopy



**LABOMED**   
ideas for vision

# A truly bright idea in stereo microscopy



Innovation in illumination, optical, and mechanical design make Luxeo the premier choice in dissection as well as routine inspection microscopy for those who demand superior value. With a basic two step configuration, a more advanced zoom system, or the versatile digital imaging system, the highly ergonomic Luxeo series comes in configurations adaptable for most applications.

**Luxeo 2S** A 2-step educational stereo microscope for elementary or routine inspection of 3D objects.

**Luxeo 4Z** A compact Greenough zoom pod with 4.4:1 zoom ratio.

## OPTICS



## LIGHT



## IMAGING



**1** Focusable eyepieces with high eye-relief and a toggle lock\* for selecting diopter settings promise convenience and comfort. Rigid antiglare retractable eyeguards with antibacterial over mold.

**2** Ergonomic zoom/step and focus control knobs with an antibacterial over-mold. All metal gear system provides durable yet smooth focus control.

**3** A 10 LED ring light can be controlled in the way of both intensity and a +/- 30° oblique incidence selection. A bright yet cool LED base light illuminates translucent media.

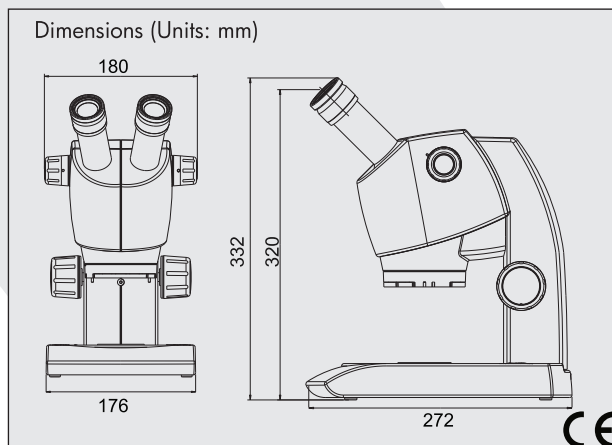
## Luxeo Stereo Microscopy

| Specification           | Luxeo 2S  | Luxeo 4Z             |
|-------------------------|---|----------------------|
| - Optical System        | Greenough   | Greenough            |
| - Magnification         | 1x/3x   | 4.4:1 Zoom           |
| - Eyepieces             | WF 10x/18mm   | WF 10x/20mm*         |
| - Diopter correction    | +/-5 diopters   | +/-5 diopters        |
| - Viewing angle         | Binocular, 45°  | Binocular, 45°       |
| - Working distance      | 100mm   | 100mm                |
| - Object field diameter | 18 to 6; 9 to 4.5mm   | 6.6 to 28.5mm        |
| - Eye guards            | Retractable   | Retractable          |
| - Illumination Control  | Incident/transmitted/ combined illumination control buttons (all models)  |                      |
| - Incident light        | +/-30° oblique illumination and variable intensity control dial (all models)  |                      |
| - Incident light method | Maximum intensity (10 LEDs), front angled incident light (5 LEDs), rear angled incident light (5 LEDs) (all models) |                      |
| - Transmitted light     | 3 LEDs super bright glow screen, low heat emission (all models)   |                      |
| - LED service life      | Approx. 25,000 hours  | Approx. 25,000 hours |
| - Light quality         | Homogeneous daylight (6500°K), free of UV and IR emissions (all models)   |                      |
| - Power Supply          | Universal 100V-240V, 50/60Hz integrated power supply with voltage flux stablizer (all models)                       |                      |

\* With dioptic lock  
 † NTSC/PAL toggle provided on-board

### Configurations

| Description | Configuration    | Cat. No. |
|-------------|------------------|----------|
| Luxeo 2S    | Binocular, 1x/3x | 4141000  |
| Luxeo 4Z    | Binocular, 4.4:1 | 4144000  |



### Labo America, Inc.

920 Auburn Court  
 Fremont, CA 94538  
 U.S.A.

Tel: (510) 445-1257  
 Fax: (510) 445-9862  
 Global: sales@laboamerica.com



laboamerica.com

Distributor

# A truly bright idea in stereo microscopy



Innovation in illumination, optical, and mechanical design make Luxeo the premier choice in dissection as well as routine inspection microscopy for those who demand superior value. With a basic two step configuration, a more advanced zoom system, or the versatile digital imaging system, the highly ergonomic Luxeo series comes in configurations adaptable for most applications.

- Luxeo 2S** A 2-step educational stereo microscope for elementary or routine inspection of 3D objects.
- Luxeo 4Z** A compact Greenough zoom pod with 4.4:1 zoom ratio.
- Luxeo 4D** A 4.4:1 zoom system with an integrated 5 MP camera, image capture/record toggle button and SD card slot.

## OPTICS

## LIGHT

## IMAGING



1 Focusable eyepieces with high eye-relief and a toggle lock\* for selecting diopter settings promise convenience and comfort. Rigid antiglare retractable eyeguards with antibacterial over mold.

2 Ergonomic zoom/step and focus control knobs with an antibacterial over-mold. All metal gear system provides durable yet smooth focus control.

3 A 10 LED ring light can be controlled in the way of both intensity and a +/- 30° oblique incidence selection. A bright yet cool LED base light illuminates translucent media.

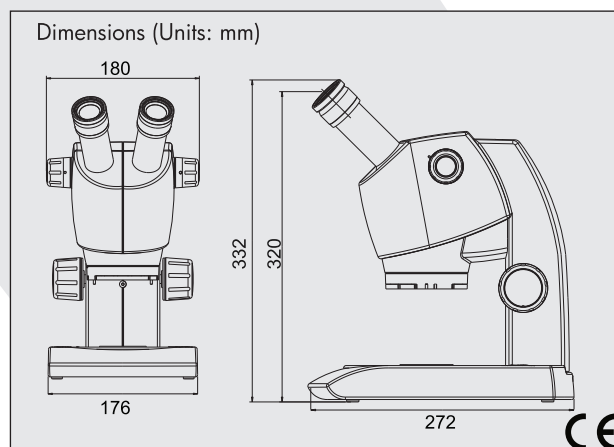
## Luxeo Stereo Microscopy

| Specification           | Luxeo 2S  | Luxeo 4Z             |
|-------------------------|---|----------------------|
| - Optical System        | Greenough   | Greenough            |
| - Magnification         | 1x/3x   | 4.4:1 Zoom           |
| - Eyepieces             | WF 10x/18mm   | WF 10x/20mm*         |
| - Diopter correction    | +/-5 diopters   | +/-5 diopters        |
| - Viewing angle         | Binocular, 45°  | Binocular, 45°       |
| - Working distance      | 100mm   | 100mm                |
| - Object field diameter | 18 to 6; 9 to 4.5mm   | 6.6 to 28.5mm        |
| - Eye guards            | Retractable   | Retractable          |
| - Illumination Control  | Incident/transmitted/ combined illumination control buttons (all models)  |                      |
| - Incident light        | +/-30° oblique illumination and variable intensity control dial (all models)  |                      |
| - Incident light method | Maximum intensity (10 LEDs), front angled incident light (5 LEDs), rear angled incident light (5 LEDs) (all models) |                      |
| - Transmitted light     | 3 LEDs super bright glow screen, low heat emission (all models)   |                      |
| - LED service life      | Approx. 25,000 hours  | Approx. 25,000 hours |
| - Light quality         | Homogeneous daylight (6500°K), free of UV and IR emissions (all models)   |                      |
| - Power Supply          | Universal 100V-240V, 50/60Hz integrated power supply with voltage flux stablizer (all models)                       |                      |

\* With dioptic lock  
 † NTSC/PAL toggle provided on-board

### Configurations

| Description | Configuration    | Cat. No. |
|-------------|------------------|----------|
| Luxeo 2S    | Binocular, 1x/3x | 4141000  |
| Luxeo 4Z    | Binocular, 4.4:1 | 4144000  |



### Labo America, Inc.

920 Auburn Court  
 Fremont, CA 94538  
 U.S.A.

Tel: (510) 445-1257  
 Fax: (510) 445-9862  
 Global: sales@laboamerica.com



laboamerica.com

Distributor

# A truly bright idea in stereo microscopy



Innovation in illumination, optical, and mechanical design make Luxeo the premier choice in dissection as well as routine inspection microscopy for those who demand superior value. With a basic two step configuration, a more advanced zoom system, or the versatile digital imaging system, the highly ergonomic Luxeo series comes in configurations adaptable for most applications.

- Luxeo 2S** A 2-step educational stereo microscope for elementary or routine inspection of 3D objects.
- Luxeo 4Z** A compact Greenough zoom pod with 4.4:1 zoom ratio.
- Luxeo 4D** A 4.4:1 zoom system with an integrated 5 MP camera, image capture/record toggle button and SD card slot.

## OPTICS



## LIGHT



## IMAGING



**1** Focusable eyepieces with high eye-relief and a toggle lock\* for selecting diopter settings promise convenience and comfort. Rigid antiglare retractable eyeguards with antibacterial over mold. Luxeo 4D offers a 5MP camera with on-board SD card slot, capture/record button and PixelPro™ software.

**2** Ergonomic zoom/step and focus control knobs with an antibacterial over-mold. All metal gear system provides durable yet smooth focus control.

**3** A 10 LED ring light can be controlled in the way of both intensity and a +/- 30° oblique incidence selection. A bright yet cool LED base light illuminates translucent media.

\* Available as a standard with Luxeo 4Z and Luxeo 4D only.

## Luxeo Stereo Microscopy

| Specification           | Luxeo 2S  | Luxeo 4Z             | Luxeo 4D             |
|-------------------------|---|----------------------|----------------------|
| - Optical System        | Greenough   | Greenough            | Greenough            |
| - Magnification         | 1x/3x; 2x/4x  | 4.4:1 Zoom           | 4.4:1 Zoom           |
| - Eyepieces             | WF 10x/18mm   | WF 10x/20mm*         | WF 10x/20mm*         |
| - Diopter correction    | +/-5 diopters   | +/-5 diopters        | +/-5 diopters        |
| - Viewing angle         | Binocular, 45°  | Binocular, 45°       | Binocular, 45°       |
| - Working distance      | 100mm   | 100mm                | 100mm                |
| - Magnification range   | 10x/30x; 2x/4x  | 8x to 35x            | 8x to 35x            |
| - Object field diameter | 18 to 6; 9 to 4.5mm   | 6.6 to 28.5mm        | 6.6 to 28mm          |
| - Eye guards            | Retractable   | Retractable          | Retractable          |
| - Illumination Control  | Incident/transmitted/ combined illumination control buttons (all models)  |                      |                      |
| - Incident light        | +/-30° oblique illumination and variable intensity control dial (all models)  |                      |                      |
| - Incident light method | Maximum intensity (10 LEDs), front angled incident light (5 LEDs), rear angled incident light (5 LEDs) (all models) |                      |                      |
| - Transmitted light     | 3 LEDs super bright glow screen, low heat emission (all models)   |                      |                      |
| - LED service life      | Approx. 25,000 hours  | Approx. 25,000 hours | Approx. 25,000 hours |
| - Light quality         | Homogeneous daylight (6500°K), free of UV and IR emissions (all models)   |                      |                      |
| - Power Supply          | Universal 100V-240V, 50/60Hz integrated power supply with voltage flux stablizer (all models)                       |                      |                      |
| - Digital Camera        | 5.0 mega pixel, 1/2.5" CMOS camera  |                      |                      |
| - Image Output          | Digital (USB 2.0/3.0) and Analog (Video)†   |                      |                      |
| - Integrated slot       | Secure Digital (SD) Card  |                      |                      |
| - Recording             | Image capture toggle (on-board)   |                      |                      |
| - Software              | PixelPro™ (WindowsXP/Vista/7)   |                      |                      |

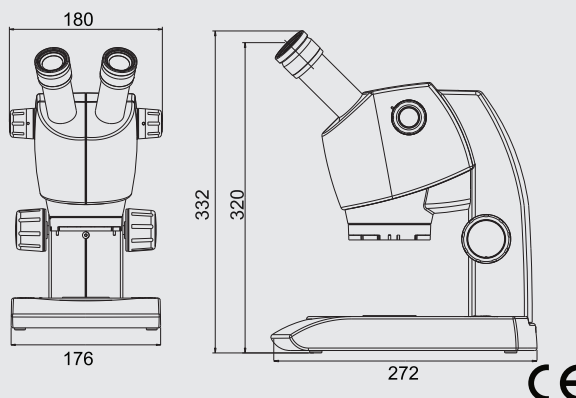
\* With dioptic lock

† NTSC/PAL toggle provided on-board

### Configurations

| Description | Configuration                | Cat. No. |
|-------------|------------------------------|----------|
| Luxeo 2S    | Binocular, 1x/3x             | 4141000  |
| Luxeo 2S    | Binocular, 2x/4x             | 4142000  |
| Luxeo 4Z    | Binocular, 4.4:1             | 4144000  |
| Luxeo 4D    | Integrated Camera, Binocular | 4145000  |

Dimensions (Units: mm)



### Labo America, Inc.

920 Auburn Court  
Fremont, CA 94538  
U.S.A.

Tel: (510) 445-1257

Fax: (510) 445-9862

Global: sales@laboamerica.com



ISO13485:2016  
A 28240

laboamerica.com

Distributor