

AD-4407

INSTRUCTION MANUAL

Weighing Indicator



AND

A&D Company, Limited

WM+PD4000508

This manual and Marks

All safety messages are identified by the following, "WARNING" or "CAUTION", of ANSI Z535.4 (American National Standard Institute: Product Safety Signs and Labels). The meanings are as follows:

 WARNING	A potentially hazardous situation which, if not avoided, could result in death or serious injury.
 CAUTION	A potentially hazardous situation which, if not avoided, may result in minor or moderate injury.



This is a hazard alert mark.

- This manual is subject to change without notice at any time to improve the product.
- The product specifications are subject to change without any obligation on the part of the manufacturer.
- Under the copyright laws, the instruction manual and the software (program) described in it are copyrighted, with all rights reserved.



Contents

1.	Compliance	3
1.1.1.	Compliance with FCC Rules	3
1.1.2.	Compliance with European Directives	3
2.	Introduction	4
3.	Installation and Precautions	5
3.1.1.	Installation and Precautions	5
3.1.2.	The Load Cell Connections	5
3.1.3.	Adjustment of the Load Cell Output	6
3.1.4.	Verifying Load Cell Output and Input Sensitivity	6
3.1.5.	Installing an Option board	7
4.	Description of Panels and symbols	8
4.1.1.	Front Panel Description	8
4.1.2.	Rear Panel Description	9
4.1.3.	Other Displays and Symbols	10
4.1.4.	Accessories and Options	10
5.	Calibration	11
5.1.1.	Items of Calibration Mode	11
5.2.	Calibration Procedure	12
5.2.1.	Configuring a Weighing Instrument	12
5.2.2.	To Get Stabilized Data	14
5.2.3.	Zero Calibration	15
5.2.4.	Span Calibration	15
5.2.5.	Exiting the Calibration Mode	16
5.3.	Weighing Range Function	17
5.3.1.	Selecting the Division and Range	18
5.4.	Digital Linearization Function	18
5.5.	Gravity Compensation Function	19
5.5.1.	The Gravity Acceleration Table	20
5.6.	Calibration Error Code List	21
6.	Functions	22
6.1.	Changing the Function Settings	22
6.2.	F-Functions	23
6.3.	CF-Functions	30
7.	Tare	31
8.	Accumulation	32
8.1.1.	Preparation and Specification	32
8.1.2.	Display and Operation	33
9.	Code Memory	34

9.1.1. Using Code Memory	35
10. Comparison.....	36
10.1. Weight Check Mode.....	36
10.1.1. Condition Formula for Comparison	37
10.1.2. Setting the Upper/Lower Limit Values.....	37
10.2. Setpoint Comparison	39
10.2.1. Description of Input parameters and Outputs	39
10.2.2. Simple Batch	40
10.2.3. Setting the Parameters of Setpoint Comparison.....	41
11. Hold Function.....	42
11.1.1. Setting the Hold Functions.....	42
12. Counting Function.....	44
12.1. Using the Counting Function.....	44
12.2. Unit Weight Registration	44
13. RS-232C Interface	46
13.1. Specification	46
13.2. Data Format.....	47
13.3. Command Format.....	47
13.3.1. Command to Request Data	48
13.3.2. Commands to Control the Indicator	49
13.3.3. Commands to Set Parameters	51
13.3.4. Commands for Hold Function	52
13.3.5. Commands to Set Serial Data Output Format (UFC).....	52
13.4. UFC Command.....	53
14. RS-422/RS-485, Relay Output(OP-03).....	55
15. Relay Output & Control Input (OP-05)	57
16. 4-20mA Analog Output (OP-07).....	58
17. Current Loop Output (OP-08).....	59
18. Specifications.....	61
18.1. Dimensions	62



1. Compliance

1.1.1. Compliance with FCC Rules

Please note that this equipment generates, uses and can radiate radio frequency energy. This equipment has been tested and has been found to comply with the limits of a Class A computing device pursuant to Subpart J of Part 15 of FCC rules. These rules are designed to provide reasonable protection against interference when this equipment is operated in a commercial environment. If this unit is operated in a residential area it may cause some interference and under these circumstances the user would be required to take, at his own expense, whatever measures are necessary to eliminate the interference.

(FCC = Federal Communications Commission in the U.S.A.)

1.1.2. Compliance with European Directives

CE This appliance complies with the statutory EMC (Electromagnetic Compatibility) directive 89/336/EEC and the Low Voltage Directive 73/23/EEC for safety of electrical equipment designed for certain voltages.

Note: The displayed value may be adversely affected under extreme electromagnetic influences.



2. Introduction

- The AD-4407 is a weighing indicator that amplifies signals from a load cell, converts it to digital data and displays it as a mass value.
- This indicator has the following performance:
 - Input sensitivity: 0.25 μ V /division.
 - Maximum display: 40000 divisions.
 - Refresh rate of the display: 10 times/second approximately.
 - Input voltage range: -1 mV ~ +15 mV.
- The following standard functions are available:
 - The HiHi / Hi / OK / Lo / LoLo limit comparison to check a mass value.
 - The setpoint comparison for batching applications.
 - The counting function for piece counting.
 - The preset tare function.
 - There are four code memories to store the above mentioned data.
 - The accumulation function to totalize these mass values and to count the number of accumulations.
 - The hold function enables weighing a living animal.
 - UFC (Universal Flex Coms) function to customize the protocol of outputting data using the serial interface.
 - **0** - **9** keys enables easy operation, such as specifying comparator values.
 - IP-67 dust & water-proof stainless housing.
- There are the following interfaces:

One interface can be installed in the indicator at a time.

 - An RS-232C serial interface is standard, to communicate with a computer, printer or a remote display. This interface outputs data and can request weight data, enter parameters and control the state of the indicator.
 - RS-422/485 and 3-Relay Outputs (Option: OP-03)
 - RS-232C, 3-Relay Outputs and 3-Control Inputs (Option: OP-05)
 - RS-232C, Current Loop Output, 3-Relay Outputs and 1-Control Input (Option: OP-08)
 - Analog Output (4-20mA) (Option: OP-07)
- The calibration function includes the following functions:
 - Setting the minimum division (weighing interval) and the maximum capacity.
 - Zero and span calibration.
 - The weighing range function of the multi-interval weighing instrument (scale).
 - Digital linearization function.
 - Gravity compensation function.



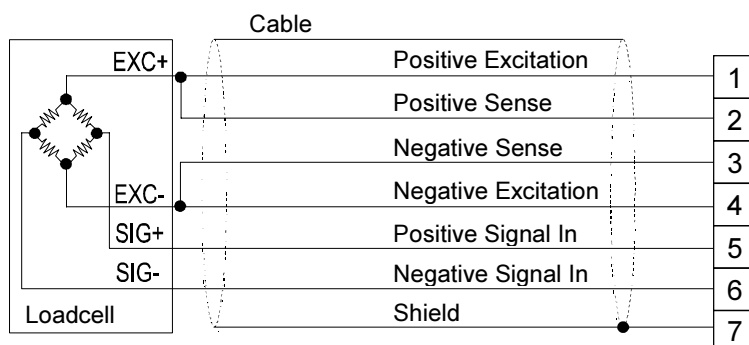
3. Installation and Precautions

3.1.1. Installation and Precautions

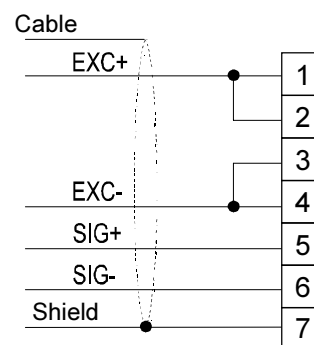
- The weighing indicator is a precision electronic instrument. Handle it carefully.
- The operating temperature is -10°C to +40°C (14°F to 104°F).
- Do not install the scale in direct sunlight.
- Mis-operation or other problems may be caused by an unstable power source including momentary power failure or instantaneous noise. Use a stable power source.
- ⚠ □ Do not connect the power cord before the installation has been completed.
- ⚠ □ Verify that the local voltage and receptacle type are correct for your scale.
- Use shielded cable for all connections. Connect the cable shields to the shield terminal or case as an earth terminal.
- Earth ground the indicator. Do not join the earth ground line with other electrical power equipment. (Example: There is an earth ground terminal at the power cord receptacle.)
- Do not install the indicator in a place where it is apt to be charged with static electricity, or where the relative humidity is lower than 45%RH. Plastic and insulating materials are apt to be charged with static electricity.

3.1.2. The Load Cell Connections

- Connect the load cell cable to the terminal as shown below.
 - It is possible to connect a 4 wire cable provided that pins 1-2 and pins 3-4 are shorted, if the distance between the indicator and a load cell is shorter than 5m.
 - The output voltage of a load cell is a very sensitive signal. Space the load cell cable away from any noise source.
 - It is possible to connect eight 350ohm load cells.
- The load cell drive is 5VDC \pm 5% between EXC+ and EXC-, the maximum current 120mA.



Standard connection



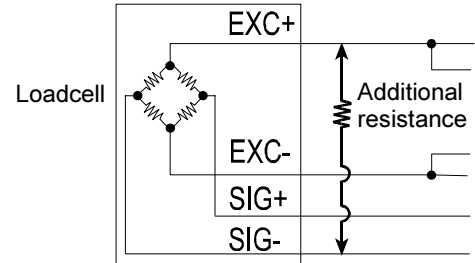
Available connection for a cable shorter than 5m.

3.1.3. Adjustment of the Load Cell Output

Caution □ Use a metal film resistor in the range of 50kohm to 500kohm with a good temperature coefficient, when adding a resistor to adjust a load cell output. Use as large of a resistance value as possible in the range in which the zero adjustment is possible. Solder this resistor at a point near the load cell or the indicator.

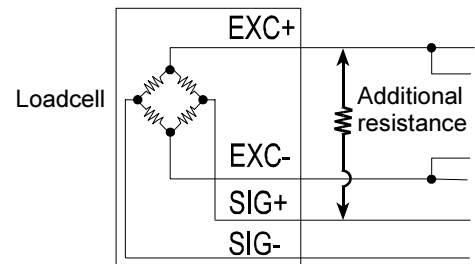
In Case of Reducing the Output Voltage

When the zero output is too large, add a resistor between EXC+ and SIG-.



In Case of Adding an Offset Voltage to the Output

When the zero output is too small, add a resistor between EXC+ and SIG+.



3.1.4. Verifying Load Cell Output and Input Sensitivity

The input sensitivity of the indicator is 0.25μV /division or more. Adapt to the following inequality, when you design a weighing instrument using the indicator and load cell(s).

- Caution** □ A change in input voltage sensitivity is required to cause a one division change of the display. Select as large an input sensitivity voltage as possible so that the weighing interval becomes stable.
- Consider the leverage if a lever is used.

Weighing instrument using one load cell.	$0.25 \leq \frac{E * B * D}{A}$	A: Rated capacity of load cell [kg] B: Rated output [mV/V] D: Weighing interval [kg]
Weighing instrument using multi-load cell	$0.25 \leq \frac{E * B * D}{A * N}$	E: Excitation voltage [mV] N: Number of load cells

Verification Example

Design:		
Load cell	N=1	
Rated capacity	A=750 [kg]	$\frac{5000 * 3 * 0.05}{750} = 1 \geq 0.25$. Therefore, regard the instrument as a good design.
Rated output	B=3 [mV/V]	
Excitation voltage	E=5000 [mV]	
Weighing interval	D=0.05 [kg]	
Weighing capacity	300 [kg]	

3.1.5. Installing an Option board

Caution □ **Do not remove any screws without the following step.**

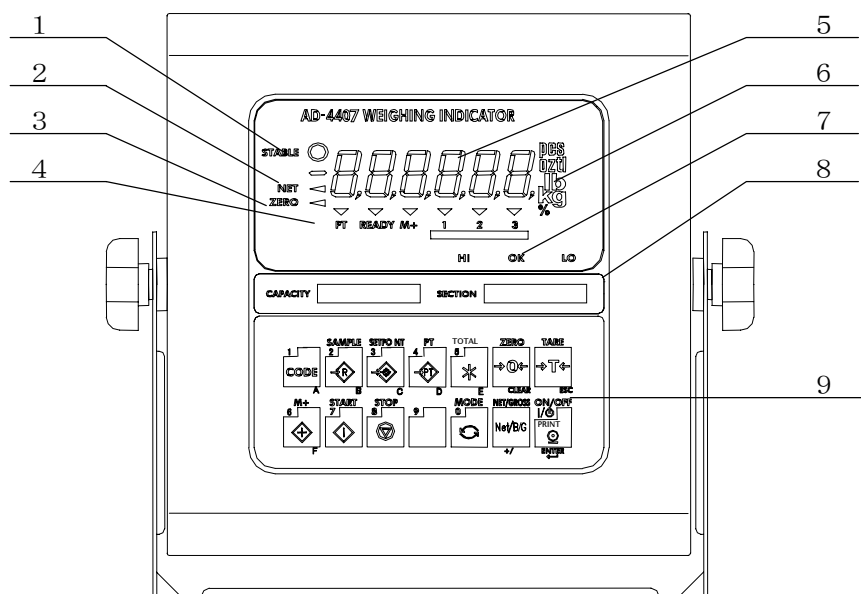
This is the procedure for the data output board (OP-03, OP-05, OP-07 and OP-08).

- Step 1 Remove the power cord from the AC power source.
- Step 2 Remove eight hex bolts (one of them is the sealing bolt) from the rear panel.
- Step 3 Remove the rear panel carefully as there are cables between the front unit and the rear panel.
- Step 4 Place the option board on the option board space in the rear panel and secure it with screws.
- Step 5 Connect the option cable(s) between the option board and the main board in the front unit.
- | | |
|---------------------------------|--------------------|
| OP-03(RS-422/485, Relay output) | J2 - Main board J2 |
| | J3 - Main board J5 |
| OP-05(RS-232C, I/O) | J5 - Main board J5 |
| OP-07(4-20mA Analog output) | J2 - Main board J2 |
| | J5 - Main board J5 |
| OP-08(RS-232C, CL, I/O) | J5 - Main board J5 |
- Step 6 Pass the interface cable through the cable clasper to the external equipment.
- Step 7 Connect the interface cable to the option board connector or terminal block.
- Step 8 Place the rear panel on the front unit, and secure using the bolts removed in Step 2.
- Step 9 After powered on, enter the F-functions and store the F30's parameters.
For OP-03, OP-05 and OP-08, there are parameters in "serial".
For OP-07, there are parameters in "analog".



4. Description of Panels and symbols

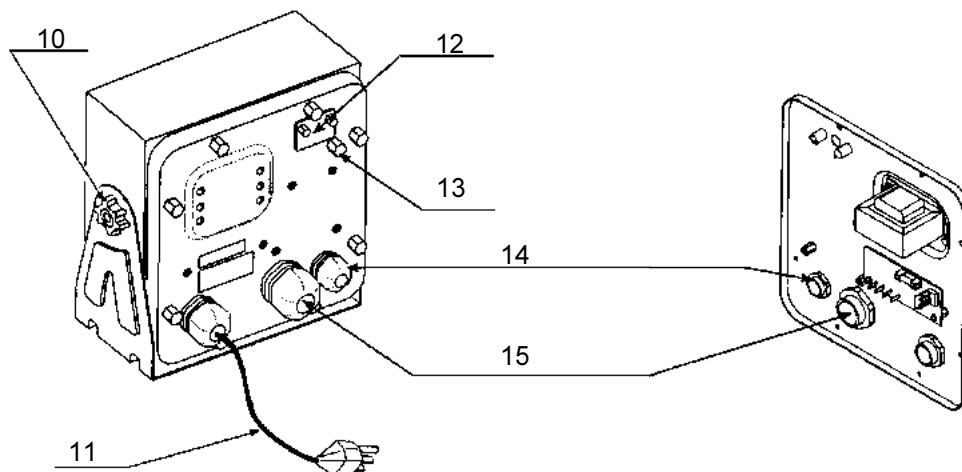
4.1.1. Front Panel Description



No.	Name	Description
1	STABLE	Indicates when the display is stable.
2	NET	Indicates when the weight is net weight.
3	ZERO	Indicates when the display weight is in the Zero range.
4	PT	Indicates when the PRESET TARE value is being used.
	READY	Indicates the state of comparison or batching.
	M+ (Accumulation)	Indicates when there is a result of addition or accumulation.
	Triangle▼1,2,3	Depending on the function selected, indicates various states.
5	Main display	Displays the weight data, stored parameters and accumulated result.
6	UNIT part	Unit used to weigh.
7	HI/OK/LO	Indicates the results of comparison.
8	Capacity label	Capacity and division are described
9	CODE key	The key to select the code memory.
	SAMPLE key	The key to store the unit weight for counting function.
	SETPOINT key	The key to store the comparator value.
	PT key	The key to store the PRESET TARE value.
	TOTAL key	The key to display the total weight.
	M+ key	The key to display the total weight.
	START key	The key to start comparison / batch weighing.
	STOP key	The key to stop comparison / batch weighing.
	MODE key	The key to switch the unit used to weigh.
	0 – 9 key	The numerical keys.
	A – F key	The key to enter a value (press NET/GROSS key at a time).
	ZERO key	The key to zero the current display.
	CLEAR key	The key to clear the data.
	TARE key	The key to perform tare.

9	ESC key	The key to proceed to the next step without changing the data.
	NET/GROSS key	The key to select net or gross weight in the display.
	+/- key	The key to select the sign of a value.
	ENTER key	The key to confirm parameters and stores the data.
	PRINT key	The key to output data (press quickly).
	ON/OFF key	The key to turn the indicator on and off (OFF: hold for 3 seconds).

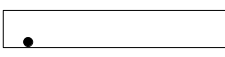
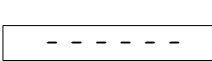


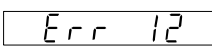
4.1.2. Rear Panel Description



No.	Name	Description
10	Adjustment knob	Adjust the viewing angle.
11	Power cable	Connect to the AC power source.
12	CAL switch (cover)	CAL switch is located inside the panel.
13	Grounding terminal	Connect to earth ground.
14	Load cell cable clamp	Tighten to protect from water and dust.
15	Interface cable clamp	Tighten to protect from water and dust.

Caution Please confirm that the receptacle type and local voltage is correct for your indicator (scale).

4.1.3. Other Displays and Symbols

	Standby display.
	Zero error when turning the display on. If the ESC key is pressed, the current weighing value may be displayed.
 Blank  Decimal point	Over load display. Remove any load from the load cell immediately. It may cause damage to the load cell(s).
	Example of an error display.

4.1.4. Accessories and Options

Accessories	Instruction manual	1	
	Time lag fuse 200mA or 315mA	1	FS-EAWK-200MA FS-EAWK-315MA
	Function seal	1	
	Capacity label	1	
	Blanket	1	

Caution Please confirm that the receptacle type and local voltage is correct for your indicator (scale).

Options

- OP-03 (AD-4407-03) RS-422/485 Interface, 3-Relay outputs
- OP-05 (AD-4407-05) RS-232C Interface, 3-Relay outputs and 3-Control inputs
- OP-07 (AD-4407-07) 4-20mA Analog output
- OP-08 (AD-4407-08) RS-232C Interface, 20mA current loop output, 3-Relay outputs and 1-Control input

One option can be installed at a time, by exchanging with the standard RS-232C interface.



5. Calibration

This indicator, converts an input voltage from a load cell to the "mass" value, and displays it. Calibration is the adjustment function so that the scale (indicator) can display the weight correctly.

5.1.1. Items of Calibration Mode

There are four items in the calibration function in the procedure.

How to calibrate: In weighing mode, press the **CAL** key. After **[CAL 0.0]** is displayed for 2 seconds **[CAL 0]** will appear. Then the required items should be selected and displayed with the **MODE** key, then executed by pressing **ENTER** key.

NOTE: Calibration could be started by simultaneously pressing the **ZERO** and **TARE** key, instead of **CAL** key. However, in some cases, the procedures are altered to nullify this option. Furthermore, this option is not available with Stamping type version setting.

Required Items

[CAL SET] Store capacity, resolution, alignment of decimal point position and display format, weighing range and unit. These items should be input first in order for the indicator to function as a weighing instrument. These parameters do not need to be changed again unless the indicator itself is replaced. For details, refer to "5.2.1. Configuring a Weighing Instrument".

[CAL 0] Calibrates zero and span. This is required after installation, to get accurate data. For details, refer to "5.2.3. Zero Calibration" and "5.2.4. Span Calibration".

Optional Items (Sub-functions)

[Lnr 0] Performs digital linearization. Refer to "5.4. Digital Linearization Function".

[G SET] Compensates for acceleration of gravity. Refer to "5.5. Gravity Compensation Function".
Gravity compensation function: Compensates for weighing error between the calibration location and other weighing location using gravity acceleration.

In the calibration mode the keys have functions as follows:

- 0 - 9** Numerical keys.
- MODE** The key to display other items.
- CLEAR** The cancel key at inputting data, initial data and changing mode.
- +/-** The key to display other parameters.
- ESC** The key to proceed to the next step without changing them.
- ENTER** The key to store new calibration data and proceeds to the next step.
- CAL** The key to store all data into memory and display **[CAL OFF]** after the calibration mode. And press the **ON/OFF** key to turn off the display.

Note that the **ON/OFF** key does not function alone. Press the **ESC** key while holding the **ON/OFF** key to end the calibration mode, if mis-operation. After displaying **RLSEL**, press the **ON/OFF** key to stop calibration mode and to turn the indicator off.

NOTE: When displaying **RLOFF**, press the **+/-** key while pressing the **ON/OFF** key, instead of **CAL** key.

- Caution**
- **The maximum display is less than or equal to 40000 divisions. This number is calculated from the maximum capacity divided by the minimum division.**
 - **Check the accuracy of weighing instrument periodically.**
 - **Recommended mass, use a mass heavier than 2/3 maximum capacity.**
 - **Calibrate the scale, if it is moved to other location or the environment has changed.**
 - **It is not necessary to input the gravity acceleration correction, when calibrating the scale with a calibration mass at the place where the scale is used.**
 - **Enter the stable weighing data while the STABLE mark is displayed. If unstable data is used, it may cause a weighing error. Arrange the condition using the F00 filter function.**
 - **The span calibration needs the zero calibration data. We recommend that you perform the span calibration immediately after the zero calibration.**
 - **If you use the dual range function of the multi-interval scale, perform the "Range Function", "Zero Calibration" and "Span Calibration".**



5.2. Calibration Procedure

5.2.1. Configuring a Weighing Instrument

This section explains how to specify capacity, resolution, decimal point position and display format, weighing range and unit. Perform this procedure when installing the indicator.

When **RLSEL** is displayed, enter this mode by pressing of the **ENTER** key. Specify the range and unit.

Single Range

Select resolution and decimal point position and format.



Specify the weighing capacity.

Dual Range

<First range> Select the resolution, decimal point position and format.



<First range> Select the weighing range



<Second range> Select the resolution



<Second Range> Specify the weighing capacity

For the range function, refer to “5.3. Weighing Range Function”.

Specifying the Range and Unit

Step 1 The range and unit of measure are displayed.

Range display : **SINGL** : single range

DUAL : dual range

To change the range function, use the **CLEAR** key

Unit display: The active unit is displayed. The unit can be changed such as kg or lb. The calibration is performed with displayed unit.

Press the **MODE** key to select a unit and to select a unit for calibration, use the **+/-** key. The unit for calibration (first unit) is displayed and the alternate unit (second unit) is blinking.

ENTER The key to store the data displayed and proceed to the next step.

ESC The key to proceed to the next step without changing them.

Specifying the Resolution, Decimal Point Position and Format

Step 2 The resolution will be displayed as **d 0.1** with decimal point. The indicator displays triangle ▼ 1 and the first unit selected at the previous step. Specify the position of the decimal point with the **MODE** key. Specify the display format (point or comma) with the **+/-** key. Specify the resolution with **CLEAR** key. The decimal point format is specified in step. The decimal point format for serial data output is selected using the F-function settings. Press the **ENTER** key to store them and proceed to the next step. When pressing the **ESC** key, regardless of what is displayed, the indicator will proceed to the next step without changing them.

Specifying the Weighing Range of the First Range

Step 3 After displaying $\boxed{[RPP]}$ for 2 seconds, single range or the weighing capacity will be displayed. When dual range is used, $\boxed{[RPP]}$ is displayed for 2 seconds. Triangle ▼ 1 will be displayed. Specify data with the $\boxed{0}$ - $\boxed{9}$ keys and press the \boxed{ENTER} key to store it and proceed to the next step. When pressing the \boxed{ESC} key, regardless of what is displayed, the indicator will proceed to the next step without changing it. The next step is Zero Calibration in single range or the second range resolution in dual range.

Specifying the Second Range Resolution

Step 4 After displaying $\boxed{[RRR]}$ for 2 seconds, the resolution with decimal point and triangle ▼ 2 will be displayed. Specify the second range resolution in the same way as the first range. The decimal point cannot be moved. Specify the second range resolution greater than the first range. Press the \boxed{ENTER} key to store them and proceed to the next step. When pressing the \boxed{ESC} key, regardless of what is displayed, the indicator will proceed to the next step without changing them.

Specifying the Second Range Capacity

Step 5 After displaying $\boxed{[RPP]}$ for 2 seconds, the capacity with unit and decimal point is displayed. Specify the capacity in the same way as the first range. The capacity should be greater than the first range. Press the \boxed{ENTER} key to store it and proceed to Zero Calibration. When pressing the \boxed{ESC} key, regardless of what is displayed, the indicator will proceed to the next step without changing the parameter.

5.2.2. To Get Stabilized Data

Step 6 Maintain the following conditions to calibrate the scale (indicator) correctly.

- Maintain a constant temperature, stable power and stable input voltage from the load cell.
- Avoid direct sunshine or the near the outlet of an air conditioner.
- Do not install the scale (indicator) where there is a strong magnetic field.

Step 7 Turn the display on and leave it for several minutes.

5.2.3. Zero Calibration

Procedure

Step 8 Check the **[CAL 0]** display.

Select a zero calibration method to adjust the zero point

Weighing input (Normal way)	The adjustment method with nothing on the weighing unit.	To step 9
Digital input	The numerical way to input a load cell output voltage.	To step 10

Weighing Input

Step 9 Place nothing on the weighing unit. Press the **[ENTER]** key after the STABLE mark has turned ON. The new zero point parameter will be stored. Proceed to step 11.

[ESC] key The key not to change the zero point data and proceed to the next step.

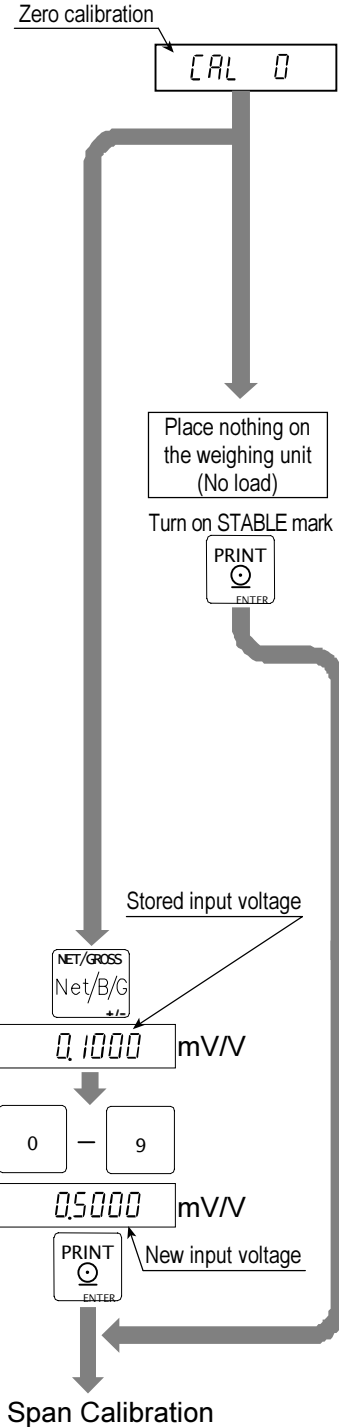
Caution Do not press the **[ENTER]** key while the **STABLE** mark is off (detecting motion). Arrange the condition using the **F00** filter function.

Digital Input

Step 10 Pressing the **[+/-]** key, a stored input voltage parameter of the zero point is displayed in the unit of mV/V. Adjust the input voltage using the **[0] - [9]** keys.

[ENTER]..... The key to store the zero point parameter and proceed to the next step.

[ESC] key..... The key to proceed to the next step without changing the parameter.



5.2.4. Span Calibration

Step 11 Check the capacity display after **[CAL F]** is displayed for 2 seconds.

Select a span calibration method to adjust the capacity.

Weighing a mass less than the maximum capacity	The method to weigh a mass less than the maximum capacity.	To step 12
Weighing maximum capacity mass	The method to weigh a mass equivalent to the maximum capacity.	To step 14
Digital input	The numerical way to enter a load cell output voltage.	To step 16

Weighing a Mass except the Maximum Capacity

- Step12 Specify a mass value using $\boxed{0}$ - $\boxed{9}$ keys.
- Step13 Place a mass equivalent to displayed value on the weighing unit. Proceed to step 15.

Weighing Capacity Mass

- Step14 Place a mass equivalent to the maximum capacity on the weighing unit.
- Step15 Press the $\boxed{\text{ENTER}}$ key after the STABLE mark turns on. Proceed to step 17.
- $\boxed{\text{ESC}}$ key The key to proceed to step17 without changing the span parameters.

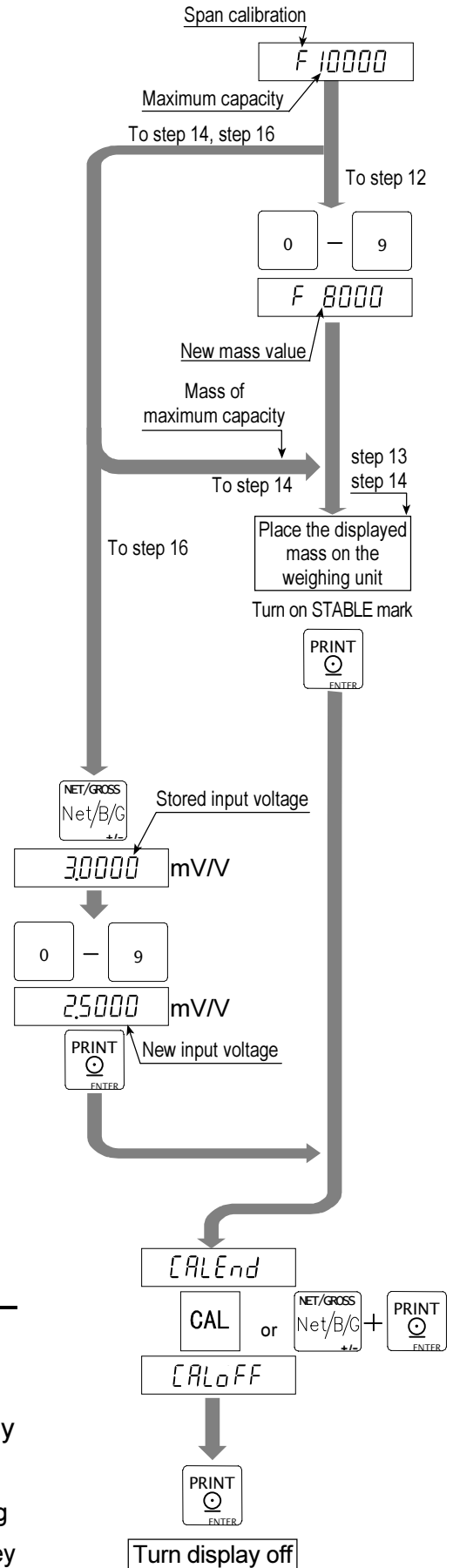
Caution Do not press the $\boxed{\text{ENTER}}$ key while the STABLE mark is off (detecting motion). Arrange the condition using the F00 filter function.

Digital Input

- Step16 Pressing the $\boxed{+/-}$ key, a stored input voltage parameter of the span is displayed in the unit of mV/V. Adjust the input voltage using the $\boxed{0}$ - $\boxed{9}$ keys. (It is possible to store a greater value than the capacity.)
- $\boxed{\text{ENTER}}$ key The key to store the span parameters and proceed to step 17.
- $\boxed{\text{ESC}}$ key The key to proceed to step 17 without changing the span parameters.

5.2.5. Exiting the Calibration Mode

- Step17 Check the $\boxed{\text{CALEnd}}$ display. Use the following keys.
- $\boxed{\text{CAL}}$ key To store the parameters and display $\boxed{\text{CALoFF}}$. Proceed to the next step.
- $\boxed{\text{CALoFF}}$ could be displayed by pressing the $\boxed{+/-}$ key while pressing the $\boxed{\text{ON/OFF}}$ key instead of $\boxed{\text{CAL}}$ key.



[ESC] key The key to store the parameters temporarily. Proceed to the **[CAL 0]** display.

Press and hold the **[ON/OFF]** key and press the **[ESC]** key

No parameters are changed,

[RnCEL] is displayed and the calibration mode is finished.

Step18 Press the **[ON/OFF]** key to turn the display off.



5.3. Weighing Range Function

The weighing range function can select "single range" and "dual range". Specify each weighing interval (division) for the multi-interval instrument. Each weighing interval is displayed according to a net value or gross value.

Caution □ When single range is used, this function is not used.

Example 1 The gross display.

Specified parameters:

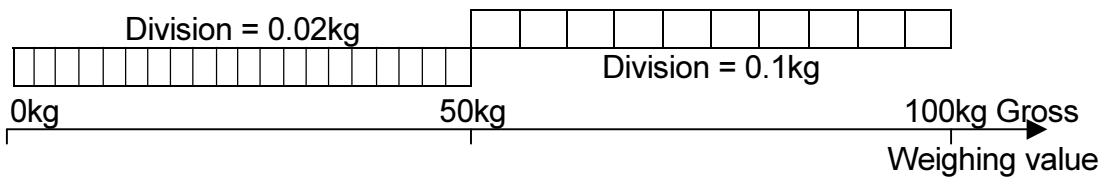
First range Range = 50.00kg, division 0.02kg

Second range Range = 100.00kg (maximum capacity), division 0.1kg

Display

0kg to 50kg : The first range, division 0.02kg.

50kg to 100kg : The second range, division 0.1kg.



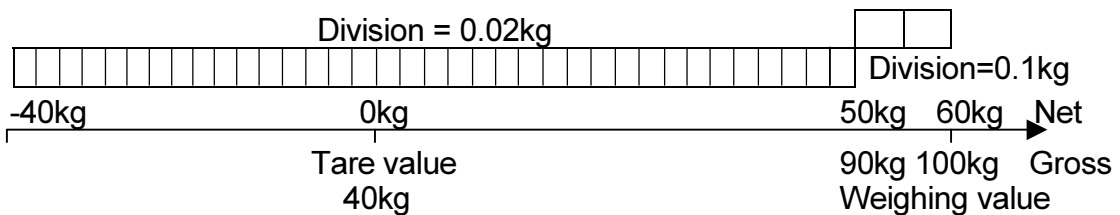
Example 2 The net display using a 40kg tare value.

Specified parameters: The same parameters as example 1.

Display

-40kg to 50kg : The first range, division 0.02kg.

50kg to 60kg : The second range, division 0.1kg.



5.3.1. Selecting the Division and Range

Consider the following rules to design the weighing range.

- Rule 1 Select the division and range of each weighing range so as to fit the following inequality.
The first range < the second range
The division of the next weighing range is automatically set larger than the division of the lower weighing range. And the division can change.
- Rule 2 When specifying the dual range, the upper limit value of the second range becomes the maximum capacity.
- Rule 3 Select a resolution smaller than 40000. The resolution is a value that divides the maximum capacity by the minimum division of the first range.



5.4. Digital Linearization Function

Even if the zero and span calibration have been completed, there may still remain a linearity deviation caused by the performance of the weighing unit. The digital linearization function can rectify or reduce the linearity deviation using weighing points during the zero and capacity. Up to three weighing points can be specified.

- Caution**
- **This function does not improve repeatability or hysteresis.**
 - **Use the mass on the condition that $L_{nr 1} < L_{nr 2} < L_{nr 3}$.**
 - **Do not press the **ENTER** key while the **STABLE** mark is off.**

- Step 1 Check the **[RL 0]** display. Press the **[MODE]** key to display **[Lnr 0]**.
- Step 2 Enter zero point. Refer to "5.2.3. Zero Calibration".
- Step 3 The value of the middle point is displayed after indicating **[Lnr x]**. x is 1, 2 or 3.
The triangle ▼ mark of the same number(x) is displayed along with the value.
- Step 4 Select a middle point.
 - If you want to cancel the current procedure, press the **[ESC]** key to finish this function. Proceed to step 7 and other points are cleared (canceled).
 - Select a middle point value using the **[0] - [9]** keys. Proceed to step 5.
- Step 5 Place a mass equivalent to the displayed value on the weighing unit. Press the **[ENTER]** key after the **STABLE** mark has turned on. Proceed to step 6.
- Step 6 If you include a 2nd and 3rd middle point, repeat steps 3, 4, 5 for each.
If you finish this function, proceed to step 7.
- Step 7 Perform step 11 of "5.2.4. Span Calibration" immediately.



5.5. Gravity Compensation Function

- If the scale is used at the calibration location, it is not necessary to perform this function.
- If there is a difference of gravity acceleration between the installed location and calibration location it may cause a weighing error. This function specifies the gravity acceleration and corrects the span error.

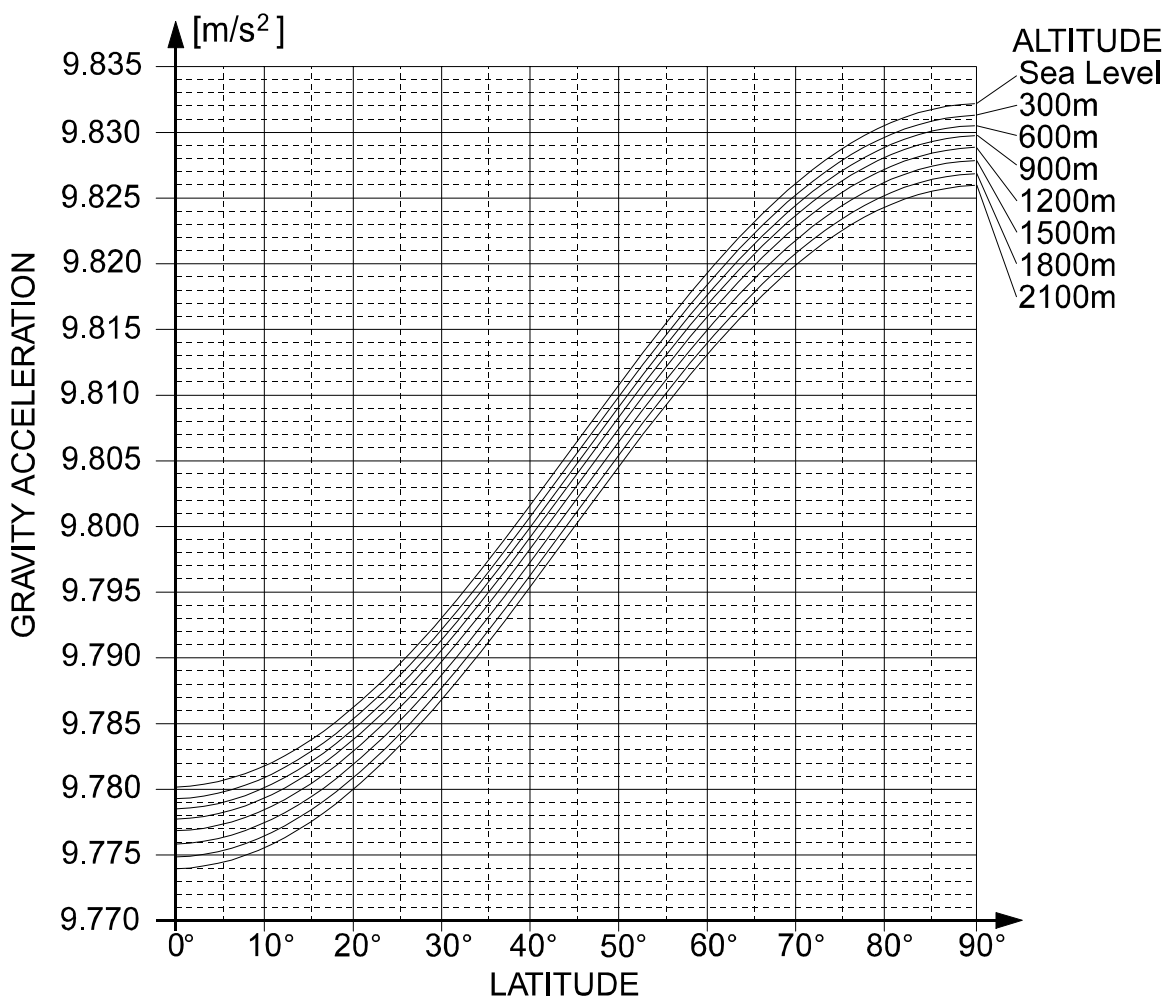
Note

- **The decimal point is not displayed in the function. Example: $\boxed{9798} = 9.798 \text{ m/s}^2$**
- **When span calibration is executed, the gravity acceleration correction will be cleared and the two gravity acceleration values will return to the factory settings.**

- Step 1 At the $\boxed{CAL \ 0}$ display, press the \boxed{MODE} key until $\boxed{G \ SET}$ is displayed and press the \boxed{ENTER} key to enter the gravity compensation function.
If you want to cancel the current procedure, press and hold the $\boxed{ON/OFF}$ key and press the \boxed{ESC} key. Then, no parameters are changed and the calibration mode is finished. Press the $\boxed{ON/OFF}$ key to turn the display off after displaying \boxed{CANCEL} .
- Step 2 The parameter is displayed with triangle ▼ 1. Enter the gravity acceleration of the calibration location using the $\boxed{0}$ - $\boxed{9}$ keys. The parameter xxxx is the gravity acceleration.
 \boxed{ENTER} key ... The key to store the new gravity acceleration and proceed to step 3.
 \boxed{ESC} key The key to return to $\boxed{G \ SET}$ without changing the value.
- Step 3 The parameter is displayed with triangle ▼ 2. Enter the gravity acceleration of the installed location using the $\boxed{0}$ - $\boxed{9}$ keys. The parameter xxxx is the gravity acceleration.
 \boxed{ENTER} key ... The key to store the new gravity acceleration and proceed to step 4.
 \boxed{ESC} key The key to return to step 2 without changing the value.
- Step 4 Now $\boxed{G \ xxxx}$ is displayed. Press the \boxed{CAL} key to store the parameters. The $\boxed{CAL \ OFF}$ is displayed. Proceed to step5.
NOTE: When displaying $\boxed{CAL \ OFF}$, press the $\boxed{+/-}$ key while pressing the $\boxed{ON/OFF}$ key, instead of \boxed{CAL} key.
- Step 5 Press the $\boxed{ON/OFF}$ key to turn the display off.

5.5.1. The Gravity Acceleration Table

Amsterdam	9.813 m/s ²	Manila	9.784 m/s ²
Athens	9.800 m/s ²	Melbourne	9.800 m/s ²
Auckland NZ	9.799 m/s ²	Mexico City	9.779 m/s ²
Bangkok	9.783 m/s ²	Milan	9.806 m/s ²
Birmingham	9.813 m/s ²	New York	9.802 m/s ²
Brussels	9.811 m/s ²	Oslo	9.819 m/s ²
Buenos Aires	9.797 m/s ²	Ottawa	9.806 m/s ²
Calcutta	9.788 m/s ²	Paris	9.809 m/s ²
Chicago	9.803 m/s ²	Rio de Janeiro	9.788 m/s ²
Copenhagen	9.815 m/s ²	Rome	9.803 m/s ²
Cyprus	9.797 m/s ²	San Francisco	9.800 m/s ²
Djakarta	9.781 m/s ²	Singapore	9.781 m/s ²
Frankfurt	9.810 m/s ²	Stockholm	9.818 m/s ²
Glasgow	9.816 m/s ²	Sydney	9.797 m/s ²
Havana	9.788 m/s ²	Tainan	9.788 m/s ²
Helsinki	9.819 m/s ²	Taipei	9.790 m/s ²
Kuwait	9.793 m/s ²	Tokyo	9.798 m/s ²
Lisbon	9.801 m/s ²	Vancouver, BC	9.809 m/s ²
London (Greenwich)	9.812 m/s ²	Washington DC	9.801 m/s ²
Los Angeles	9.796 m/s ²	Wellington NZ	9.803 m/s ²
Madrid	9.800 m/s ²	Zurich	9.807 m/s ²





5.6. Calibration Error Code List

Exiting from a calibration error

ESC key The key to return the point where an error occurred. Retry the operation.

ESC key while pressing the **ON/OFF** key.

No parameters are changed, **CAnCEL** is displayed and the calibration mode is finished. Press **ON/OFF** key to turn the display off.

Error Code List

If an error has occurred during the calibration mode, the following code is displayed.

Error code	Description
<i>Err 0</i>	In multi-interval scale. The last division is set to maximum (d-50). Therefore the next division can not be entered.
<i>Err 1</i>	Resolution exceeds 40000. (Resolution = maximum capacity/ minimum division) Reduce the maximum capacity or increase the minimum division.
<i>Err 2</i> <i>Err 3</i>	Load cell output is too large or too small at zero calibration. Check the weighing unit and load cell. Refer to "3.1.4.Verifying Load Cell Output and Input Sensitivity".
<i>Err 4</i>	Measuring calibration mass, the value exceeded maximum capacity. Reduce the calibration mass.
<i>Err 5</i>	The selected calibration mass is smaller than the minimum division.
<i>Err 6</i>	The new input sensitivity is less than 0.2 μ V/division. Increase the input sensitivity. Refer to "3.1.4.Verifying Load Cell Output and Input Sensitivity".
<i>Err 7</i>	Placing a mass on the weighing unit, the load cell output becomes a negative value. Check the load cell cable connections and the direction of load cell mounting.
<i>Err 8</i>	The load cell output exceeds the input range before reaching the maximum capacity. Adjust zero balance referring to "3.1.4.Verifying Load Cell Output and Input Sensitivity". Replace with a load cell designed for a smaller output. Reduce maximum capacity.
<i>Err 9</i>	The weight value is out of the input range at zero calibration or span calibration. Check the weighing unit and cables.
<i>Err 12</i>	The first weighing range is larger than second weighing range.
<i>Err 13</i>	An incorrect mass was selected at the digital linearization function. Select mass of the following relation. $L_{nr 1} < L_{nr 2} < L_{nr 3}$.
<i>G Err</i>	An unacceptable value was selected in the gravity acceleration function.



6. Functions

There are two parameters lists, one for the F-functions and one for the CF-functions. These functions control the indicator. The parameters of each function are stored in the non-volatile memory, and are not lost even if power is turned off or cut off.

F-functions: These parameters can always be changed and are used for internal settings.

CF-functions: If you accept a certificated approval of the weighing instruments, the CAL cover (rear panel) must be sealed. Therefore, accepting this approval, the parameters of the CF-function can not be changed.



6.1. Changing the Function Settings

To enter the function settings, do either of the following.

1. When the display is off, press the **ON/OFF** key while pressing the **+/-** key.
2. When in the weighing mode, press both the **+/-** and **ON/OFF** keys at the same time.

When you are in the function setting, **F00** will be displayed.

Operating Item

Step 1 Select an item using the **0** - **9** keys.

ENTER key The key to display a parameter of the selected item.
Proceed to step 2.

ESC key To exit from functions and enter the weighing mode.

CAL key The key to exchange F-functions and CF-functions.

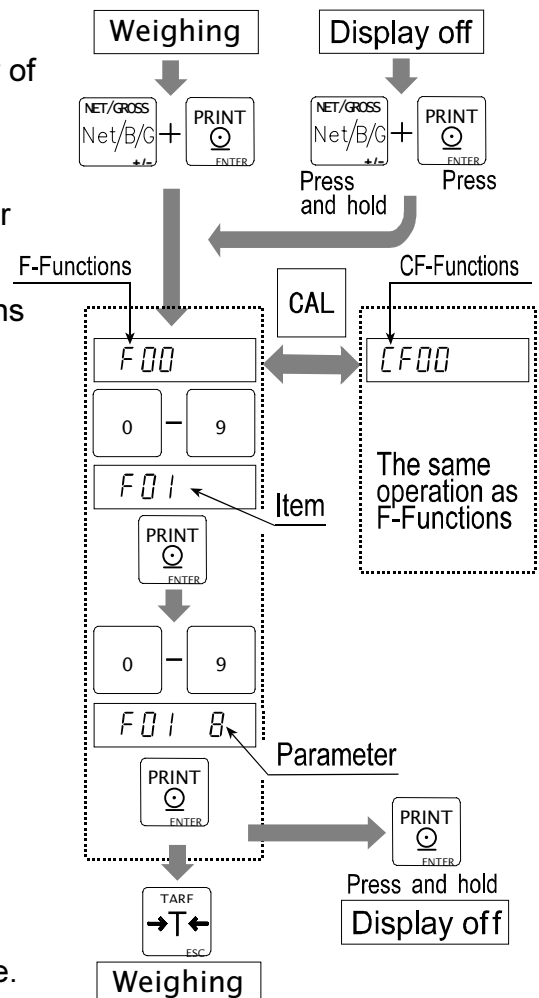
Operating parameter

Step 2 Select a parameter using the **0** - **9** keys.

ENTER key The key to store a parameter and return step 1.

ESC key The key to return step 1 without changing the parameter.

CLEAR key Changes the display to the default value.(Type1)
Changes the sub item.(Type2, Type3) Type2 and Type3 are indicated in the parameter table.



Exit function setting

Press **ESC** key to go to the weight display when an item number is displayed.



6.2. F-Functions

Weighing Conditions (Digital Filter, Zero trucking and Stability)

Item	Parameter	Description
<i>F00</i> Filter Motion / Averaging time	0	2 d/ 1.6s
	1	4 d/ 1.6s
	2	8 d/ 1.6s
	3	16 d/ 1.6s
	4	32 d/ 1.6s
	5	64 d/ 1.6s
	6	128 d/ 1.6s
	7	2 d/ 3.2s
	*8	4 d/ 3.2s
	9	8 d/ 3.2s
	10	16 d/ 3.2s
	11	32 d/ 3.2s
	12	64 d/ 3.2s
	13	128 d/ 3.2s
<i>F01</i> Zero tracking	0	OFF
	1	0.5 d/ 1s
	2	1.0 d/ 1s
	3	1.5 d/ 1s
	4	2.0 d/ 1s
	5	2.5 d/ 1s
	6	0.5 d/ 2s
	7	1.0 d/ 2s
	*8	1.5 d/ 2s
	9	2.0 d/ 2s
10	2.5 d/ 2s	
<i>F02</i> STABLE mark Motion detection condition	0	No motion detection
	1	0.5 d/ 0.5s
	2	1.0 d/ 0.5s
	3	2.0 d/ 0.5s
	4	3.0 d/ 0.5s
	5	4.0 d/ 0.5s
	6	0.5 d/ 1s
	7	1.0 d/ 1s
	*8	2.0 d/ 1s
	9	3.0 d/ 1s
10	4.0 d/ 1s	
<i>F03</i> Auto Printing/ Auto Accumulation	0	Once after the mark
	1	Twice in succession
	*2	Three times
	3	Four times

If weak filter is set, the response will be fast, but will be more sensitive to external influences such as vibration.

This function traces the weight value drifting around the zero point slowly, displayed as zero. If a strong parameter is set, a very small zero drift may be not detected.
If [F00 1] is, the F01 0, 1, 6 or 7 can be selected only.
If [F00 1] is, the initial setting is F01 7.

The function to set the condition of judgment whether a weight value is unstable or stable. The [ZERO] key and [TARE] key are active in the stable state. If these keys need to be active in the unstable state, set to F02 0. In case of [F00 1] is, F02 6 or F02 7 can be selected only. (Initial setting is F02 6.)

Set the number of times when the STABLE mark turned on in succession, until output/print out. If [F00 1] is set, F03 2 or F03 3 can be selected.

d: division (weighing interval) of first range. s: second. *: Initial settings.

Display and Other General Functions

Item	Parameter	Description	
F04 Display update rate	* 0	5 times/s	The selection in the unstable condition.
	1	10 times/s	
F05 [Type2] Buzzer	1 x	Key click (ON/OFF)	Left: Item, select using the ZERO key Right: Parameter, select using the 0 - 9 keys 0: no sound, 1: continuous 2: 4 times/s 3: 2 times/s 4: 1 time/s 5: 1 time/2a Initial value is 11, others x0.
	2 x	LoLo / Zero band	
	3 x	Lo	
	4 x	OK	
	5 x	HI	
	6 x	HiHi / Batch finish / Full	
F06 Device ID(Address)	00 to 99	Command address or DeviceID	Initial setting is 00.
F07 Counting function	* 0	Disable	
	1	Enable	

*: Initial settings. s: second.

Key Switch

Item	Parameter	Description	
F12 [Type2] Disabling of key switch	10 11	CODE key	Left: Key Right: * 0 Enable 1 Disable ZERO key to select switch 0, 1 key to select Enable/Disable These options could be ignored when F13 to F15 is set to 17 and shorting the terminal to the common.
	20 21	SAMPLE key	
	30 31	SETPOINT key	
	40 41	PT key	
	50 51	TOTAL key	
	60 61	M+ key	
	70 71	START key	
	80 81	STOP key	
	90 91	"9" key	
	A0 A1	MODE key	
	B0 B1	ZERO key	
	C0 C1	TARE key	
	D0 D1	NET/GROSS key	
	E0 E1	PRINT key	
F0 F1	ZERO+TARE = CAL		

*: Initial settings.

External Input

Item	Parameter	Description
F 13 EXT1 Function selection of external input	* 0	Not used (No function)
	1	ZERO key
	2	TARE key
	3	NET/GROSS key
	4	ON/OFF key
	5	PRINT key, ENTER key
	6	(No function)
	7	Serial data output (Format 1)
	8	Serial data output (Format 2)
	9	Accumulation (M+)
	10	Start batching
	11	Stop batching
	12	"Over" signal, Gross over and display data out when ON
	13	NET weight display when shorting the terminal.
	14	Accumulated data display when shorting the terminal.
	15	Execute comparison when shorting the terminal.
	16	Display by the second unit when shorting the terminal.
	17	All keys are enable when shorting the terminal. (Ignores F 12 temporary)
	18	Inhibit memory code reading when shorting the terminal.
	19	Start averaging to hold
20	Release holding data	
F 14 EXT2	0 to 17, 19 and 20	Same as F 13
	18	Memory cord (BCD 1)
F 15 EXT3	0 to 17, 19 and 20	Same as F 13
	18	Memory cord (BCD 2)

*: Initial settings.

Accumulation

Item	Parameter	Description
F 20 [Type2] Accumulation Mode	10 11	Do not add(0)/Add(1)
	20 21	Manual(0)/Automatic(1)
	30 31	+ Only(0) / Both +/- (1)
	40 41	OK only(0)/All data(1)
F 21 Inhibit region for accumulation	0	Add data anytime
	* 1	Above ± 5 d
	2	Above ± 10 d
	3	Above ± 20 d
	4	Above ± 50 d

d: division (weighing interval) of first range.

*: Initial settings.

Comparator

Item	Parameter	Description	
F22 Comparator function	* 0	Not used	
	1	Upper/lower limit comparison (2 Limits)	
	2	Upper/lower limit comparison (Target and allowance)	
	3	Upper/lower limit comparison (Target and % allowance)	
	4	HH/Hi/OK/Lo/LL comparison (4 Limits)	
	5	HH/Hi/OK/Lo/LL comparison (Target and allowance)	
	6	HH/Hi/OK/Lo/LL comparison (Target and % allowance)	
	7	Check weighing 1	
	8	Check weighing 2	
	9	Check weighing 3	
	10	Simple batch 1	
	11	Simple batch 2	
12	Simple batch 3 (Loss in weight)		
F23 (F22 1 to 6) [Type2] Validation of comparison	10 11	Includes zero band(1)	Initial settings are 11,21,31 and 40.
	20 21	Includes minus(1)	
	30 31	Stable(0) /All time(1)	
	40 41	All time(0)/Start, stop(1)	
F23 (F22 10 to 12) [Type2] Sub function for batch weighing	10 11	Tare when start(1)	Initial settings are 11,21,31 and 40.
	20 21	Stop after Full by key(0)/Auto(1)	
	30 31	Over/Under judgment: after dribble flow(0) / Batch finish(1)	
	40 41	No function	
F24 Relay output selection	* 0	Over	Effective when F22 7,9, 10 or 12.
	1	Under	
	2	Finish/Full (F22=9,10,12)	
F25 Batch finish output time	00 to 99	Relay on time by 0.1second step (00 : continuous to zero band)	Initial setting is 00.
F26 Zero band	-999999 to 999999		Initial setting is 0.

*: Initial settings.

Hold

Item	Parameter	Description	
F27 Hold mode	* 0	Not hold (Hold function is off)	
	1	Manual hold	
	2	Auto hold	
	3	Manual and Auto hold	
F28 Averaging time	00 to 99	Averaging time by 0.1second step (00 : hold at start time)	Initial setting is 00.

*: Initial settings.

Data Output *: Initial settings.

Item	Parameter	Description
F30 Data output	* 0	No data output
	1	Analog output
	2	Serial output
	3	Serial output (Zero suppressing)
		Set F31, 32, 33 RS-232C, RS-422/485

Analog Output *: Initial settings.

Item	Parameter	Description
F31 Output data	* 0	Display data
	1	Gross data
	2	Net data
F32 Weight value at 4mA output	-999999 to 999999 (Initial setting is 0)	Polarity is changed by pressing the +/- key.
F33 Weight value at 20mA output	-999999 to 999999 (Initial setting is 10000)	

Serial Data Format

Item	Parameter	Description
F34 [Type3] Serial data format 1 Initial value 19, 2E, 3A 4F E50	x 0	Terminator
	x 1	Device ID (selected at F06)
	x 2	Code number
	x 3	Data number *
	x 4	Result of comparison
	x 5	(Reserved)
	x 6	(Reserved)
	x 7	Accumulated value
F35 [Type3] Serial data format 2 Initial value 17 2F E30	x 8	Accumulation count
	x 9	Stable / Over
	x A	Displayed weight
	x b	Gross weight
	x C	Net weight
	x d	Tare weight
	x E	Weight type (G / N / T, refer to [F06])
	x F	Weight unit (cf. [F07])
		ZERO key : Order of output (1 to 999) "Exxx" indicates the end of data to output NET/GROSS key: Expand or shorten output data length 0 - 9, A - F key: output data

1 Comma of the parameter display indicates that the comma (F46 0, semi-colon for F46 1) is output after the data. To turn this mark on and off, press the 9 key while pressing NET/GROSS key.

Output of initial settings of F34(19, 2E, 3A 4F E50) is like "ST, GR, +12345.6kg".

2 The data number *(parameter 3) increments automatically with each serial data output from 1 to 99999 (the next after 99999 is 1). The starting number can be set by the keys.

Press the CODE(1) key while pressing the PRINT key at weight display, the display changes to DATA r then r xxx. "xxx" is the next data number. Using the 0 - 9 keys to enter the number and pressing the ENTER key to store the number and return to weight display.

Current Loop Output

Item	Parameter	Description
F36 Output data	* 0	Displayed data
	1	Gross data
	2	Net data
	3	Tare data
	4	Gross data / Net data / Tare data
F37 Output mode	0	Stream mode
	1	Manual mode
	2	Auto print mode(+)
	3	Auto print mode(+/-)
	4	When accumulation, automatically output
	* 5	Not used
F38 Delay for continual data	* 0	No delay
	1	2.0 seconds (F36=4, except F37=0)
F39 Baud rate	0	600 bps
	1	1200 bps
	* 2	2400 bps

*: Initial settings.

bps: bit per second.

Serial Interface

Item	Parameter	Description
F40 Output mode	* 0	Stream mode, command is not acceptable
	1	Manual mode, command is effective
	2	Auto print mode(+), command is effective
	3	Auto print mode(+/-), command is effective
	4	When accumulation, automatically output
	5	Command mode (output by command only)
F41 Accumulated data output at accumulated data display	0	No output
	* 1	Manual, Fixed format
	2	Auto, Fixed format
	3	Manual, Format 1 (F34)
	4	Auto, Format 1 (F34)
	5	Manual, Format 2 (F35)
F42 Delay for continual data	* 0	No delay
	1	0.5 second
	2	1.0 second
	3	1.5 seconds
	4	2.0 seconds
F43 Command address	* 0	Not use
	1	Use (Address determined F06)
F44 Time out	* 0	Approx. 1 second
	1	No limitation
F45 Terminator	* 0	CR, LF (0Dh, 0Ah)
	1	CR (0Dh)

*: Initial settings.

Serial Interface (continue)

Item	Parameter	Description	
F46 DP / Delimiter	* 0	DP:point(.) / Delimiter:comma(,)	Common to sending/receiving
	1	DP:comma(,)/ Delimiter:semicolon(;	
F47 Baud rate	0	600 bps	
	1	1200 bps	
	* 2	2400 bps	
	3	4800 bps	
	4	9600 bps	
F48 Data bit, parity	* 0	Data 7bits, Even parity	
	1	Data 7bits, Odd parity	
	2	Data 8bits, Non parity	

*: Initial settings. bps: bit per second.

Description of "Stream Mode"

Object F37 0, F40 0

Operation Data is output in every sampling (when refreshing the display).
Use this mode to output data to an external display (Data may not be output due to timing of the baud rate and internal sampling rate). If data is printed with pressing the **PRINT** key on the printer, use the stream mode.

Description of "Manual Print"

Object F37 1, F40 1

Operation When pressing the **PRINT** key, the stable weighing data is output just once.

Description of "Auto Print Mode"

Object F37 2, F37 3, F40 2 or F40 3

Operation When the weight data varies from the "inhibit region for output" to the "permission region of output", the stable data is output just once. If you use this mode, set F02 except F02 0.

- For weighing (and removing) each object and printing the data.
 - In case of F37 2, F40 2
"Inhibit region for output" $\leq +5d$. $+5d < \text{"permission region of output"}$.
 - In case of F37 3, F40 3
 $-5d \leq \text{"inhibit region for output"} \leq +5d$.
"Permission region of output" $< -5d$, $+5d < \text{"permission region of output"}$.
- d: division (weighing interval) of the first range.

Description of "Delay for continual data"

Object F38, F42

Operation This function can be used in the "Auto print mode" and "Manual print mode".
When using a non-buffered printer, set to F42 3 and F43 1 (or F38 1).



6.3. CF-Functions

Item	Parameter	Description
[CF00] Zero track width, motion detection condition	* 0	No limitation
	1	Use limitation at F01, F02, F03, F27 and F28.
[CF01] Zero range Turning display on, the range to zero display.	* 0	±2% of CAP, Tare limit is 100 % CAP
	1	±10% of CAP, Tare limit is 100 % CAP
	2	±3% of CAP, Tare limit is 50 % CAP
	3	±4% of CAP, Tare limit is 50 % CAP
[CF02] Power on zero range Turning display on, the range to zero display.	0	Not to zero when turning the display on.
	* 1	±10% of CAP
	2	± 3% of CAP
[CF03] Zero tracking	0	Gross when displaying gross.
	1	Gross
	* 2	Gross or Net when displaying net.
[CF04] TARE, ZERO in motion / TARE at negative gross value	TARE, ZERO in motion / TARE at negative gross	
	* 0	Not accepted / Not accepted
	1	Execute / Not accepted
	2	Not accepted / Execute
[CF05] Output on over load and unstable state.	* 0	Not to output data at unstable value or over load. Effective in key mode.
	1	To output data always.
[CF06] Header 2	GROSS / NET / TARE / Preset TARE	
	* 0	GR / NT / TR / TR
	1	GR / NT / TR / PT
[CF07] Figure number of unit	* 0	Two digits
	1	Three digits
[CF08] Accumulation function	* 0	Not used (Ineffective)
	1	Used (Effective)
[CF09] Digital Tare(PT)	* 0	Used (Effective)
	1	Not used (Ineffective)

CAP : maximum capacity

*: Initial settings

Power on ZERO (CF02)

[CF02] 0 After power on, weight display starts immediately.

[CF02] 1,2,3 When the zero range is exceeded at power on, ----- is displayed. Press the ESC key to start weight display.



7. Tare

- The function is used to display a net value with the container weight subtracted from the total weight, if you place an object into a container to weigh it.
- Using a serial interface such as the RS-232C, you can do this from the external equipment.

Caution □ **When turning the display off with [F02 1, 2 or 3], the tare data is cleared.**
□ **When turning the power off, the tare data is cleared.**

Weighing Tare

Operation Place the tare on the weighing unit. Press the **TARE** key to store the tare weight after the STABLE mark turns on. The display changes to net.

Caution □ **When displaying a negative gross value, tare can not be used (normally).**
To enable tare at zero or a negative gross value, select a [F 04] parameter.

Digital Input

Caution □ **The input value is rounded off to the unit of division (weighing interval).**
□ **In the case of [F02 1, 2 or 3] (power-on zero), the displayed value will be zeroed when turning the display on.**
□ **When using a multi-interval scale, the usable input range is the first range.**
□ **In the case of [F09 1] (To inhibit preset tare), preset tare can not be used.**
□ **Preset tare is stored as one of the code memory data. Refer “9. Code Memory”.**
□ **Preset tare value can be set via the serial interface.**

Step 1 Press the PT key to display the stored tare value.
When tare is cleared or is not used, the value is zero.

Step 2 Enter a new tare value using the **0** - **9** keys.
ENTER key The key to store a new tare value.
The net is displayed.
ESC key The key to return to weight display without changing the stored value.

Clearing Tare

- When pressing the **TARE** key while gross is zero, tare is cleared and gross is displayed.
- When zeroing with the **ZERO** key, tare is cleared.



8. Accumulation

The function accumulates weighing data and stores the total data and the accumulation count. Data is stored in non-volatile memory, and is not lost even if the power is turned off.

8.1.1. Preparation and Specification

Set the following parameters to use the accumulation function.

- Select $[F08]$ for the CF-function so that the accumulation function becomes effective.
- Specify the method of accumulation and data at $F20$ of the F-functions.
- Specify the inhibit region for accumulation at $F21$ of the F-functions.

Selection of Accumulation Mode, F20 of the F-functions

- There are two methods of accumulation; manual accumulation using the $[M+]$ key and automatic accumulation.
- The accumulated data can select "positive data only" or "both polarity data".
- The accumulated data can select "result of comparison is OK only" or "all result".

Accumulation Condition, F21 of the F-function

- In the case of manual accumulation mode, press the $[M+]$ key to accumulate weighing data when the STABLE mark is turned on.
- Data can be accumulated after the weight data enters the "inhibit region for output". When connecting the power cord and turning the display on, the accumulation mode takes the same action.

Inhibit region for accumulation	F21	Description
Add data anytime	$F21\ 0$	Stable data can be used anytime
Above ± 5 d	$F21\ 1$	Factory setting
Above ± 10 d	$F21\ 2$	
Above ± 20 d	$F21\ 3$	
Above ± 50 d	$F21\ 4$	

- Caution**
- Do not set to $F21\ 0$ for the automatic accumulation mode.
 - If $F21\ 0$, it may add the same data two times or more.

Limitation of Accumulation Count and Total

- The limitation of accumulation count is 999999.
The limitation of total is ± 999999 , ignoring the decimal point.
- If exceeding these limitations, the data is not accumulated.
Example: The decimal point to "0.0", the limitation is "99999.9".

8.1.2. Display and Operation

Action of Accumulating Data

- When accumulating data, the display blinks once.
If the accumulated data is stored, the M+ mark is displayed.

Caution □ **This function can not accumulate data with a different unit. Specify a unit before use.**

Display of Accumulation Data

- When specifying [F08] (Effective accumulation function) and pressing the [TOTAL] key, the [TotRL] is displayed and the total data is displayed with the M+ mark blinking. Pressing the [TotRL] key alternatively displays the accumulated data and the accumulation count. Pressing the [ESC] key, the weight data is displayed.
- The total data can be output. Refer to "Output of Accumulation Data".

Undoing the Accumulation Data

- The last weight data can be deduced from the accumulated data unless new data has been accumulated.

Step 1 Press the [TOTAL] key to display [TotRL] and accumulated data.

Step 2 Press and hold the [+/-] key for more than 3 seconds. The display blinks once and the data accumulated before accumulating the last weight data is displayed.

Caution □ **External input can not be used.**

Clearing the Accumulation Data

Step 1 Press [TOTAL] key to display [TotRL] and accumulated data.

Step 2 Press and hold the [ZERO] key more than 3 seconds. The display blinks once and the accumulated data is cleared.

Caution □ **External input can not be used.**

Initializing the Data Number and Clearing the Accumulated Data at the same time

- When the data number is included with the data of the serial data output, initializing the data number and clearing accumulated data can be done at same time.

Step 1 Press [TOTAL] key to display [TotRL] and accumulated data.

Step 2 Press and hold the [ZERO] and [+/-] keys at the same time for more than 3 seconds. The display blinks once and the accumulated data is cleared. And the data number is initialized (1).

Caution □ **External input can not be used.**

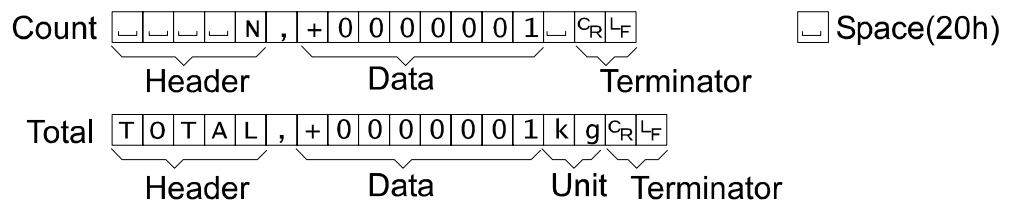
Output of Accumulation Data

- Accumulated data can be output to the serial interface.
- Output by manual or automatic, and output data format is selected at *F41* of the F-function setting.

F41	Parameter	Manual/Automatic	Format
Accumulated data output at accumulated data display	0	No output	Fixed format
	* 1	Manual	
	2	Automatic	
	3	Manual	Format 1(selected at <i>F34</i>)
	4	Automatic	
	5	Manual	Format 2(selected at <i>F35</i>)
6	Automatic		

- Step 1 Press the **TOTAL** key to display **total** and the accumulated data.
- Step 2 If automatic output is set, the data is output once at that timing.
- Step 3 If manual output, by pressing the **PRINT** key while the accumulated data is displayed, the data is output.

Fixed data format :



9. Code Memory

- This indicator has four code memories (1 through 4). Each code memory stores a set of setpoints, preset tare and the unit weight for piece counting.
- The data is stored in non-volatile memory, and is not lost even if the AC power supply is disconnected or cut off.
- Memory number 0 is a temporary memory and the data is lost when the AC power supply is disconnected or cut off.
- The active code memory number can be changed by key switch, external control input, or a command via the serial interface.
- The data set can be copied from one code memory to another code memory.

9.1.1. Using Code Memory

- Step 1 Pressing the **CODE** key at the weight display, **[d x]** is displayed with the present code memory number x blinking. Using the following keys:
- 0 - 4** keyThe key to input the code memory number.
 - CLEAR** keyThe key to reset the code memory number (0).
 - +/-** keyThe key to copy the data set to other code memory number.
Proceed to step 3.
 - ESC** keyThe key to return to the weight display.
 - ENTER** keyThe key to set the code memory number, stop blinking.
Proceed to step 2.
- Step 2 The code memory number is set and the blinking stops. Using the following keys:
- SETPOINT** keyThe key to set the comparison data. Refer "10.1.2. Setting Upper/Lower Limit Value".
 - PT** keyThe key to set the preset tare data. Refer "7.1.2. Digital Input".
 - ESC** keyThe key to return to step 1.
 - ENTER** keyThe key to store the selected code memory number's data and to return to the weight display.
- Step 3 **[COPY]** is displayed for 2 seconds and then **[x-y]** is displayed with "y" blinking. Using the following keys:
- 0 - 4** keyThe key to input the code memory number to be stored.
 - ESC** keyThe key to return to step 1.
 - ENTER** keyThe key to copy number x's data to number y and to return to step 1.

Changing the Code Memory Number by External Input

- The code memory number can be changed by external input from OP-05 or OP-08.
- Set F14 and F15 to 18. (OP-08 has only one input; set F15)
- F13=18 : Inhibit reading EXT.2 and EXT.3 to prevent unintentional reading when switching the codes.

EXT.2 (F 14)	EXT.3 (F 15)	Code Memory number
ON	ON	1
OFF	ON	2
ON	OFF	3
OFF	OFF	4



10. Comparison

- This function has the "upper / lower comparison", the "5-stage(HiHi / Hi / OK / Lo / LoLo) comparison", the "setpoint comparison" and the "simple batch". They compare the weight data with preset parameters and can output the result of the comparison to the display and buzzer, also to the relay-outputs of OP-03, OP-05 and OP-08.
- Set the F-function $F22$ and $F23$ to use the "upper / lower comparison", the "5-stage(HiHi / Hi / OK / Lo / LoLo) comparison" (these two comparison methods will be combined and hereafter be called the "Weight check mode"), and $F22$ through $F26$ to use the "setpoint comparison" and the "simple batch".
- Data is stored in non-volatile memory and is not lost even if the AC power supply is disconnected or cut off.



10.1. Weight Check Mode

- This function compares the weight data with the upper and lower limit values (upper/lower limit comparison) or four limit values of HiHi, Hi, Lo and LoLo (5-stage comparison), and displays, sounds the buzzer and/or outputs the results to the three relays of HI, OK and LO. Use this comparison when judging whether a weight is proper.
 - Set the F-function $F22$ to 1, 2 or 3 to use upper/ lower limit comparison and $F22$ to 4, 5 or 6 to use 5-stage comparison.
 - Select a parameter of the F-function $F23$ for the comparison condition.
 - Set the F-function $F26$ (zero band) if $F23$ 10 (not to compare in the zero band).
 - Specify the upper and lower limit / HiHi, Hi, Lo, LoLo limit values.
 - When entering the limit value(s), it is not necessary to enter the F-function $F22$ and $F23$ again unless comparison conditions are changed.
 - There are 3 type of limit values for each comparison.
 - (1) Set the limit value (upper and lower limit / HiHi, Hi, Lo, LoLo limit).
 - (2) Set the Target value and an acceptable tolerance(upper and lower) in weight.
The limit value is calculated automatically.
 - (3) Set the Target value and an acceptable tolerance(upper and lower) in percentage of the target weight. The limit value is calculated automatically.
- Example. Target = 50kg, Upper limit = 51kg, Lower limit = 48kg
- (1) Hi(Upper limit) : 51 (kg), Lo(Lower limit) : 48 (kg)
 - (2) TG(Target) : 50 (kg), Hi(Upper acceptable tolerance) : 1 (kg),
Lo(Lower acceptable tolerance) : 2 (kg) not negative value
 - (3)TG(Target) : 50 (kg), Hi(Upper acceptable tolerance) : 2 (% of Target),
Lo(Lower acceptable tolerance) : 4 (% of Target) not negative value

10.1.1. Condition Formula for Comparison

Comparison is performed based on the following formula.

Upper/lower comparison

Judge	Condition Formula	Display	Output
HI	Upper limit (Hi limit) value < Displayed value	HI	HI
OK	Lower limit value \leq Displayed value \leq Upper limit value	OK	OK
LO	Displayed value < Lower limit (Lo limit) value	LO	LO

5-stage comparison

Judge	Condition Formula	Display	Output
HiHi	HiHi limit value < Displayed value	HI, ▼2	HI
HI	Upper limit (Hi limit) value < Displayed value	HI	HI, OK
OK	Lower limit value \leq Displayed value \leq Upper limit value	OK	OK
LO	Displayed value < Lower limit (Lo limit) value	LO	LO, OK
LoLo	Displayed value < LoLo limit value	LO, ▼3	LO

- The decimal point is not considered. Example: If the upper limit value is 10.0, enter 100.
- These parameters are stored in non-volatile memory, and are not lost even if the AC power is disconnected or cut off (except code 0 memory).
- When the displayed value becomes an overload (positive over), HI (over) is output. When the displayed value becomes an under load (negative over), LO (under) is output.
- This function compares the Hi / HiHi limit value first.
- This function does not check the relationship between the upper and lower limit values.

10.1.2. Setting the Upper/Lower Limit Values

Step 1 By pressing the **SETPOINT** key, the selected code memory number is displayed and the first comparison class term (ex.Hi, TG etc.) is blinking.

Step 2 Select the comparison class using the following keys:

SETPOINT keyThe key to select a comparison class.

ESC keyThe key to return to the previous stage (weight display or code memory number select).

ENTER keyThe key to proceed to step 3.

Step 3 Set the setpoint values using the following keys.

0 - 9 keyThe key to enter a value.

ESC keyThe key to proceed to the next comparison class (step 2) without changing the set value.

ENTER keyThe key to store the value and proceed to the next comparison class (step 2).

Setting Order and Display for Weight Check Mode

F22	MODE	Display	1	2	3	4	5
1	Upper Lower 1	Setpoint	Upper	Lower			
		Class	Hi	Lo			
		Comparator	HI	LO			
2	Upper Lower 2	Setpoint	Target	Upper	Lower		
		Class	tG	Hi	Lo		
		Comparator	OK	HI	LO		
3	Upper Lower 3	Setpoint	Target	Upper	Lower		
		Class	tG	Hi	Lo		
		Comparator	OK	HI	LO		
		Unit		%	%		
4	5-stage 1	Setpoint	HiHi	Hi	Lo	LoLo	
		Class	HH	Hi	Lo	LL	
		Comparator	HI	HI	LO	LO	
		Triangle ▼	2			3	
5	5-stage 2	Setpoint	Target	HiHi	Hi	Lo	LoLo
		Class	TG	HH	Hi	Lo	LL
		Comparator	OK	HI	HI	LO	LO
		Triangle ▼		2			3
6	5-stage 3	Setpoint	Target	HiHi	Hi	Lo	LoLo
		Class	TG	HH	Hi	Lo	LL
		Comparator	OK	HI	HI	LO	LO
		Unit		%	%	%	%
		Triangle ▼		2			3

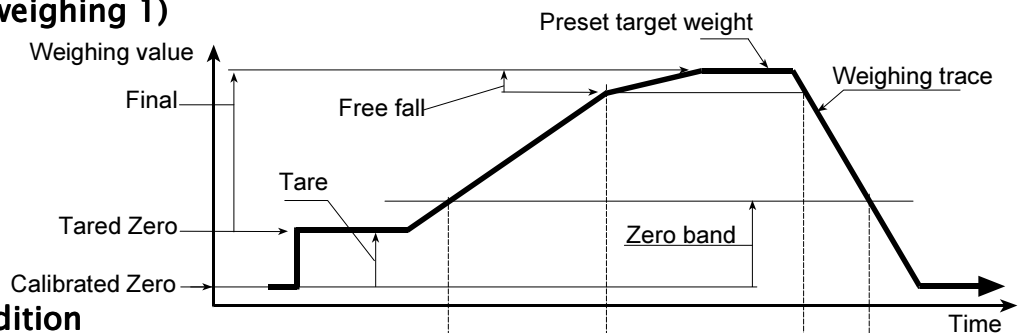


10.2. Setpoint Comparison

- This function includes the weighing sequence and is used for acquiring a preset target weight.
- There are four parameters of "Final", "Preliminary", "Free fall" and "Zero band" that use the setpoint comparison.
- The result of the sequence is output to the three relays of OP-03, OP-05 or OP-08.
- When entering these parameters, it is not necessary to enter the F-function $F22$ again unless comparison conditions are changed.

10.2.1. Description of Input parameters and Outputs

$F22 = 7$ (Check weighing 1)



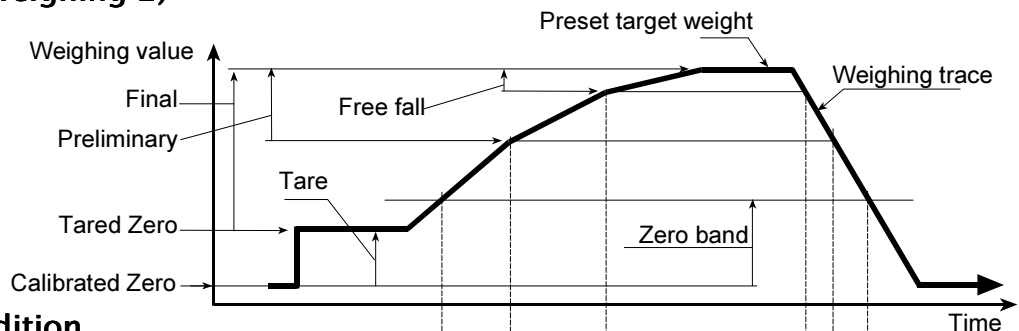
Output and Condition

Relay HI, ▼1, $Net \geq (Final - Free\ fall)$	OFF	ON	OFF
Relay LO, ▼3, $Gross < Zero\ band$	ON	OFF	ON

Relay OK output can be changed to OVER or UNDER by $F24$. The triangle ▼2 is not displayed.

OVER/UNDER is judged always and the result is output to the LED and the relay.

$F22 = 8$ (Check weighing 2)

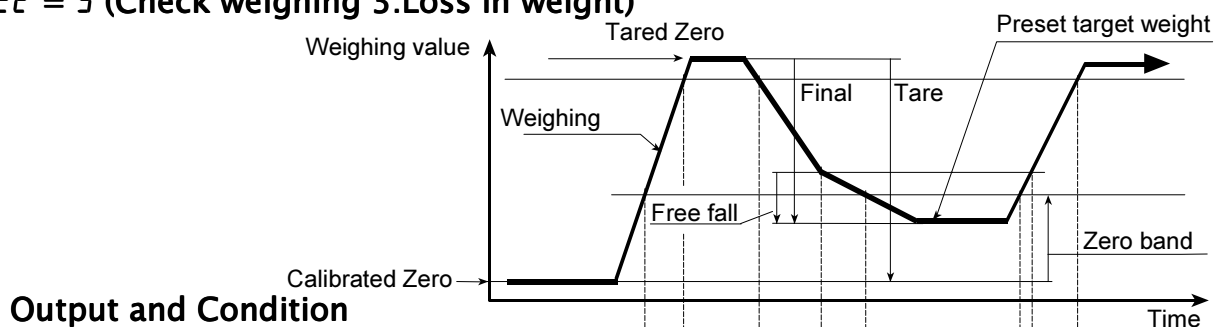


Output and Condition

Relay HI, ▼1, $Net \geq (Final - Free\ fall)$	OFF	ON	OFF
Relay OK, ▼2, $Net \geq (Final - Preliminary)$	OFF	ON	OFF
Relay LO, ▼3, $Gross < Zero\ band$	ON	OFF	ON

OVER/UNDER is judged always and the result is output to the LED but not to the relay.

F22 = 9 (Check weighing 3:Loss in weight)



Relay HI, ▼1, -Net \geq - (Final - Free fall)	OFF		ON		OFF
Relay LO, ▼3, Gross < Zero band	ON	OFF		ON	OFF
Relay OK*, ▼2, Gross \geq Full	OFF	ON	OFF		ON

* Relay OK output can be changed to the OVER or UNDER by F24.

Triangle ▼ 2 is displayed when Gross \geq Full regardless of the F24.

OVER/UNDER is judged always and the result is output to the LED and the relay.

10.2.2. Simple Batch

The weighing sequences of Simple batch (F22 10, 11 or 12) are similar to those of Check weighing (F22 7, 8 or 9) respectively. The differences are listed below.

- 1 Basically ON/OFF of the relay and the LED is reversed.
- 2 No judgement other than Zero band and Full before input Start signal.
- 3 The weighing completion condition is set by F23 2x and it is effective after Start.
- 4 The outputs of Preliminary and Free fall are off from weighing completion to the next start.
- 5 Weighing completion can be output by F24 and F25.
- 6 The start signal can be accepted after weighing completion even the weight is not within the zero band.
- 7 Over/Under output is set by F23 3x.

Start

Tare when the Start is input automatically if F23 11.

The READY mark turns off when the Start is input.

Weighing Completion

The weighing completion condition is set by F23 2x

F23 20 : Either the STOP key is pressed or the Batch stop input is on

F23 21 : Stable is detected after reaching Final

Before reaching Final, the **STOP** key or Batch stop input forces weighing completion even if F23 21.

Toward the Zero band

Preliminary and Free fall output are holding the off state.

Over/Under comparison starts. If $F23$ 30, judgment starts when Free fall turns on.

The judgment is not latched and the output is according to the state at the time.

The Weighing completion relay is turned on if $F24$ 2. The on time is set by $F25$.

The READY mark is blinking regardless of $F24$ and $F25$.

Start is may be accepted at this state.

Returns to Zero band

Over/Under and Weighing completion output is off.

The READY mark is turned on.

10.2.3. Setting the Parameters of Setpoint Comparison

Refer to "10.1.2. Setting Upper/Lower Limit Values".

Zero band value is set at $F26$ of the F-Function, and the value does not belong to a specific code memory, but is used commonly.

Setting Order and Display for Setpoint Comparison and Simple batch

$F22$	MODE	Display	1	2	3	4	5
7	Setpoint Comparison 1	Setpoint	Final	Free fall	Over	Under	
		Class	Fi	FF	Hi	Lo	
		Comparator	OK		HI	LO	
		Triangle ▼		1			
8	Setpoint Comparison 2	Setpoint	Final	Free fall	Preliminary	Over	Under
		Class	Fi	FF	Pr	Hi	Lo
		Comparator	OK			HI	LO
		Triangle ▼		1	2		
9	Setpoint Comparison 3	Setpoint	Final	Free fall	Full	Over	Under
		Class	Fi	FF	Fu	Hi	Lo
		Comparator	OK			HI	LO
		Triangle ▼		1	2		
10	Simple Batch 1	Setpoint	Final	Free fall	Over	Under	
		Class	Fi	FF	Hi	Lo	
		Comparator	OK		HI	LO	
		Triangle ▼		1			
11	Simple Batch 2	Setpoint	Final	Free fall	Preliminary	Over	Under
		Class	Fi	FF	Pr	Hi	Lo
		Comparator	OK			HI	LO
		Triangle ▼		1	2		
12	Simple Batch 3	Setpoint	Final	Free fall	Full	Over	Under
		Class	Fi	FF	Fu	Hi	Lo
		Comparator	OK			HI	LO
		Triangle ▼		1	2		



11. Hold Function

- This function displays the hold weight data after averaging the weight data for a specific period.
- Useful to determine a living animal's weight.
- Averaging time can be set up to 9.9 seconds by a 0.1 second step.
- 3 methods are available to start averaging; manual start, start automatically after stable and manual / automatic start.
- Manual start is available with key switch or external input.
- Serial interface commands are also available; averaging start, releasing the hold data and outputting the hold state. Refer "13.3.4. Commands for Hold Function".

- Caution**
- **This function can not be use under [F00 1.**
 - **Averaging can not start at a displayed value smaller than +/- 5 digits.**
 - **Data when the display is over is not included for averaging.**
 - **When powered off, hold is released automatically.**
 - **There is no peak hold function.**

The Display and the Data Output of Hold and Average

- The weight display is blinking during the averaging period.
- The output data in the averaging period is the actual weight at the time.
- The weighing unit is blinking when the weight display is in the hold state.
- The output data format of the hold weight data is the same as that of the normal weight data except the header of stable state is "HD" in the response to the "RW" or "RW,n"(n=1 or 2) command.

Relations to the Other Functions

- If automatic accumulation (F20 2 1) and/or auto print (F37 2, 3 F40 2, 3) is set, accumulation and/or data output is performed after determining the hold data.

11.1.1. Setting the Hold Functions

- F27 determines the method of starting the average.
 - F27 1 Manual start: Start the average and release with key switch operation.
 - F27 2 Automatic start: After passing the inhibit region * and detect stable **, starts the average automatically, releasing the data when the weight returns to inhibit region.
 - F27 3 Both Manual start and Automatic start.
- *inhibit region 0 +/- 5digit
**stable detection Satisfied both F02 and F03

- *F28* determines the averaging time by 0.1second step. *F28 0* holds the data at averaging start.
- The key switch function as the HOLD key (Average start or release holding data) is by pressing the **TOTAL** key while pressing the **ENTER** key.
- The external input function of averaging start is *19* and hold release is *20* of *F 13*, *F 14* and *F 15*. The function is accepted at the off to on edge of the external input.

Conditions of the Average and Release

The method to start/stop the average and release the hold state depends on the *F27*.

Condition	<i>F27 1</i>	<i>F27 2</i>	<i>F27 3</i>
Average start in the inhibit region	No	No	No
Average start with key switch (including unstable)	Yes	No	Yes
Average start with ext. input (including unstable)	Yes	No	Yes
Average start with command (including unstable)	Yes	Yes	Yes
Average start after passing the inhibit region and stable	No	Yes	Yes
Weight is entering the inhibit region at averaging	Continue	Stop	Stop
Weight is entering to over at averaging	Pending	Stop	Pending
Hold key input at averaging	Stop	Stop	Stop
Release input from external input at averaging	Stop	Stop	Stop
Release command input at averaging	Stop	Stop	Stop
Hold key input at hold	Release	Release	Release
Release input from external input at hold	Release	Release	Release
Release command input at hold	Release	Release	Release
Weight is entering the inhibit region at hold	Continue	Release	Release
Weight is going to over at hold	Continue*	Continue*	Continue*

Pending: Suspend the count up timer and do not average under the condition.

Release: Key, ext. input and command are effective at over display.

Continue*: Continue hold, but over display.

Key input and command in the hold state

Release hold and perform key function:

Keys: TARE, ZERO, SETPOINT, TOTAL

Commands: MT, MZ, HC

Continue hold and perform key functions

Keys: NET/GROSS, Accumulation, Comparison start/stop

Commands: other commands



12. Counting Function

This function determines the number of objects in a sample based on the unit weight. Unit weight is stored one of the code memory data in non-volatile memory, and is not lost even if the AC power supply is disconnected.



12.1. Using the Counting Function

- Preparation : Set $F07$ 1 in the F-Functions.
- Selects code memory number. Refer to “9.1.1. Using Code memory”.
- Register the unit weigh. Refer to “12.2.Unit Weight Registration”.
- Press the **MODE** key to enter the counting mode. The unit in the display changes to pcs.
- In the counting mode, TARE, ZERO, NET/GROSS and other operations are the same as that in the normal weighing mode.



12.2. Unit Weight Registration

- There are two methods to register the unit weight. One is to weigh the actual samples for an unknown object's unit weight and the other way by digital input of the unit weight by key or via the serial interface.
- The unit weight is one item of the code memory data. Select the code memory number and start the unit weight registration in the weight display or piece count display. The unit weight registration can not be done from the code memory number display.
- There is not the counting accuracy improvement function by re-calculating the unit weight based on the actual weight.

Weigh Actual Samples

When the unit weight is unknown, prepare some samples to determine the unit weight.

Step 1 Enter the counting mode.

Step 2 Press the **SAMPLE** key to enter the unit weight registration. $5\ 0$ or $5\ -$ is displayed and unit pcs blinks. the left side of the display is the number of samples. The right side of the display indicates the weight, 0 means that the weight is zero and $-$ means that the display is not at zero.

Step 3 Select the number of samples and place the samples specified on the weighing sensor unit. Using following keys:

0 - 9 key.....The key to set the number of samples. Maximum is 9999.

$+/-$ key.....The key to select the number of samples, 5, 10, 20, 50,100.

ZERO key.....The key to set the zero point.

TARE key.....The key to tare. When using a container.

ENTER keyThe key to register the unit weight and return to the piece count display. The unit weight is calculated automatically with the weight and the number of samples.

Press **ESC** key while pressing the **+/-** key

The key to return to the piece count display without changing the unit weight.

- Notes**
- It is preferable to have a large number of samples, to minimize the counting error.
 - Press the **ENTER** key after the stable mark turns on.
 - If the total weight of the samples is too light and is not adequate to be used as the unit weight, **LoUt** is displayed for 2 seconds and returns to the registration display.

Digital input

When the unit weight is already known, digital input is available.

Step 1 Start with the normal weight mode.

Step 2 Press the **SAMPLE** key to enter the digital input of the unit weight. **U xxx** and the weight unit is displayed with unit pcs blinking. Using following keys:

0 - 9 keyThe key to set the unit weight. Maximum is 5 digits.

+/- keyThe key to select the weight unit of the unit weight.

ZERO keyThe key to clear the digital input. **U - - -** is displayed.

ESC keyThe key to return to the normal weight display without changing the registered unit weight.

ENTER keyThe key to register the unit weight and return to the normal weight display.

Press the **MODE** key while pressing **+/-** key The key to shift the decimal point.



13. RS-232C Interface

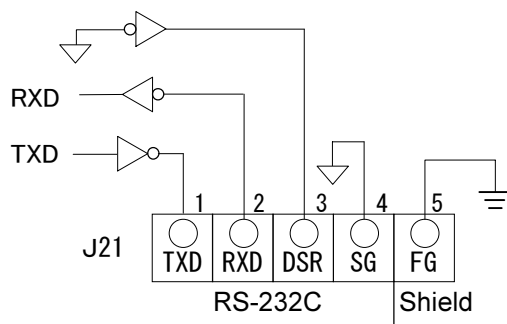


13.1. Specification

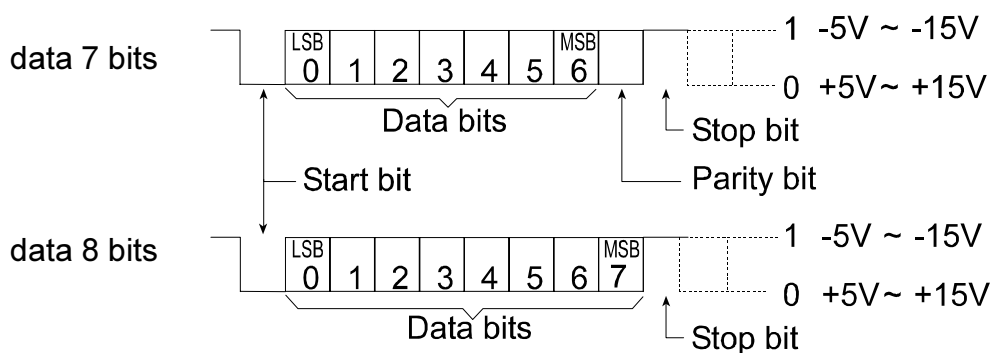
Transmission	Asynchronous, bi-directional, half-duplex
Baud rate	600, 1200, 2400, 4800, 9600 bps
Data bits	7 bits, 8 bits
Parity bits	1 bit, Even or Odd (for 7 data bits) or Non parity (for 8 data bits)
Start bit	1 bit
Stop bit	1 bit
Code	ASCII
Terminator	CR LF, CR (CR: 0Dh, LF: 0Ah)
Connector	Terminal block

Circuit and Pin Connection

Pin No.	Signal name	Direction	Description
1	TXD	Output	Transmit data
2	RXD	Input	Received data
3	DSR	Output	Data set ready
4	SG	-	Signal ground
5	FG	-	Shield (Frame ground)



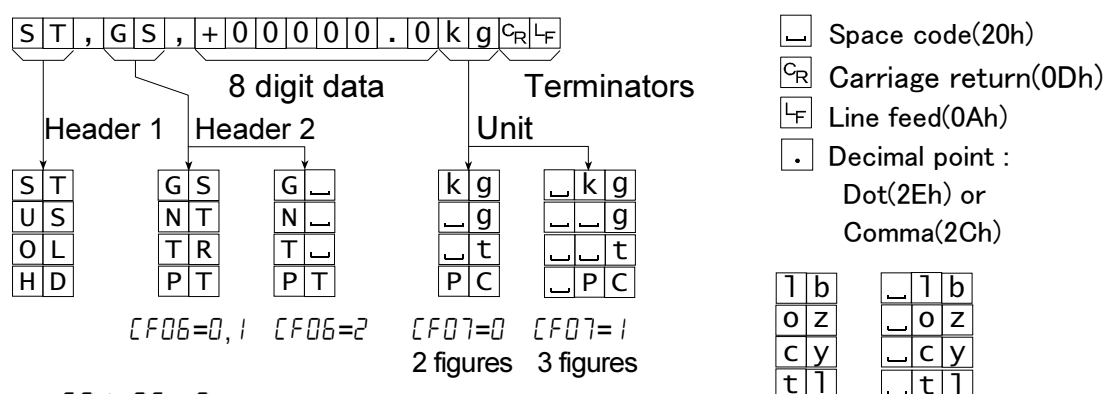
Bit Format





13.2. Data Format

- There are two types of data format set at F-Function *F34* and *F35*.
- The initial data format of *F34* is shown below.



Header 1 *F34, 35 : 9* (Status)

- ST St_ab_le weight data.
- US Un_st_ab_le weight data.
- OL Overload (Out of range).
- HD Holded weight data (The response of the "RW and "RW,n" command).

Header 2 *F34, 35 : E* (weight type)

- GS or G Gross data.
- NT or N Net data
- TR or T Tare data.

Data *F34, 35 : A, b, C, d* (weight data)

The first of the data bits is the polarity, "+" or "-".

When the data is zero, the polarity is "+".

8 digits including polarity and decimal point (dot or comma).

In case of "Out of range", the data are replaced by spaces except the decimal point.

Unit *F34, 35 : F* (unit)

In case of $[F07=0]$, the unit length is 2 digits.

In case of $[F07=1]$, the unit length is 3 digits. Depending on circumstances, an A&D printer may not work correctly.



13.3. Command Format

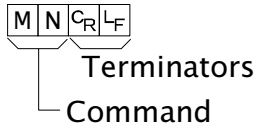
Explanation of Command

- When performing a command, the received command or replay data is sent back.
- When the received command can not be performed such as the "busy" state, the code " I " is sent back. In this case, insert a delay time. Electrical noise may be the cause of this error.
- When receiving an undefined command (unknown command), a "?" is sent back.

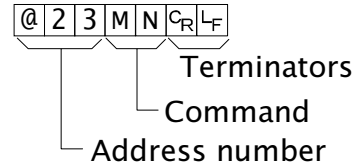
- When the memory is short to store the data of UFC commands, an “M” is sent back.
- Optional addresses can be appended to a command. The address form is “@address” and the address is specified at F-Function *F06*. The reply (data or error code) is also sent with the address.

Example: Command is "Display net value". Address is 23.

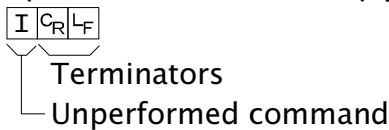
Sending a command



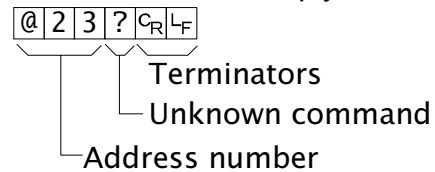
Sending a command with address



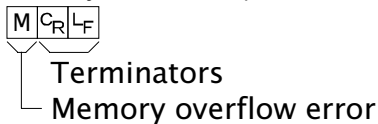
Unperformed command reply



Unknown command reply



Memory overflow (for UFC commands)



C_R Carriage return(0Dh)
L_F Line feed(0Ah)

13.3.1. Command to Request Data

Request Display Data (1)

When receiving this command, returns the displayed data immediately.

Template RW

Command **R|W|C_R|L_F**

Reply **S|T|,|G|S|,|+|0|0|1|2|3|.|0|k|g|C_R|L_F**

Request Display Data (2)

When receiving this command, returns the displayed data immediately with format 1 or 2.

Template RW,1 or RW,2

Command **R|W|,|1|C_R|L_F** or **R|W|,|2|C_R|L_F**

Reply **Format1(F34)** or **Format2(F35)**

Request Gross weight

When receiving this command, returns the gross data immediately.

Template RG

Command **R|G|C_R|L_F**

Reply **S|T|,|G|S|,|+|0|0|1|2|3|.|0|k|g|C_R|L_F**

Request Net weight

When receiving this command, returns the net data immediately.

Template RN

Command

R	N	C _R	L _F
---	---	----------------	----------------

Reply

S	T	,	N	T	,	+	0	0	1	2	3	.	0	k	g	C _R	L _F
---	---	---	---	---	---	---	---	---	---	---	---	---	---	---	---	----------------	----------------

Request Tare weight

When receiving this command, returns the tare data immediately.

Template RT

Command

R	T	C _R	L _F
---	---	----------------	----------------

Reply

S	T	,	T	R	,	+	0	0	1	2	3	.	0	k	g	C _R	L _F
---	---	---	---	---	---	---	---	---	---	---	---	---	---	---	---	----------------	----------------

Request Accumulated Data

When receiving this command, returns the accumulated data immediately.

Template RA

Command

R	A	C _R	L _F
---	---	----------------	----------------

Reply Refer Fixed data format of “8.1.2. Display and Operation, Output of Accumulation data”.

Is Zero

When receiving this command, returns “at zero point” or no immediately.

Template RZ

Command

R	Z	C _R	L _F
---	---	----------------	----------------

Reply

1	C _R	L _F
---	----------------	----------------

 when at ZERO

0	C _R	L _F
---	----------------	----------------

 Not at ZERO

13.3.2. Commands to Control the Indicator

Zero Display

Sets the current display to the zero point.

Template MZ

Command

M	Z	C _R	L _F
---	---	----------------	----------------

Reply

M	Z	C _R	L _F
---	---	----------------	----------------

Tare

Sets the current display to zero of the net data.

Template MT

Command

M	T	C _R	L _F
---	---	----------------	----------------

Reply

M	T	C _R	L _F
---	---	----------------	----------------

Clear Tare Data

Clears the tare data and displays the gross data_.

Template CT

Command

C	T	C _R	L _F
---	---	----------------	----------------

Reply

C	T	C _R	L _F
---	---	----------------	----------------

Display Gross Data

Displays the gross data.

Template MG

Command

M	G	C _R	L _F
---	---	----------------	----------------

Reply

M	G	C _R	L _F
---	---	----------------	----------------

Display Net Data

Displays the net data.

Template MN

Command

M	N	C _R	L _F
---	---	----------------	----------------

Reply

M	N	C _R	L _F
---	---	----------------	----------------

Accumulation (M+)

Accumulates the displayed data.

Template MA

Command

M	A	C _R	L _F
---	---	----------------	----------------

Reply

M	A	C _R	L _F
---	---	----------------	----------------

Clearing the Accumulated data

Clears the accumulated data.

Template CA

Command

C	A	C _R	L _F
---	---	----------------	----------------

Reply

C	A	C _R	L _F
---	---	----------------	----------------

Changing the Weight Unit

Changes the weight unit.

Template UC

Command

U	C	C _R	L _F
---	---	----------------	----------------

Reply

U	C	C _R	L _F
---	---	----------------	----------------

Changing the Code Memory

Changes the code memory number.

Template SC,m

m: code memory number, 0 - 4

Command

S	C	,	2	C _R	L _F
---	---	---	---	----------------	----------------

Reply

S	C	,	2	C _R	L _F
---	---	---	---	----------------	----------------

Disabling Key Switches

Disables the key switches. Once power off, no effect remains by this command.

Template DK,n

n: key switch number (0: all keys, 1 - F: refer F-Function *F* 12)

Command

D	K	,	2	C _R	L _F
---	---	---	---	----------------	----------------

 ex. to disable SAMPLE key

Reply

D	K	,	2	C _R	L _F
---	---	---	---	----------------	----------------

Enabling Key Switches

Enables the key switches that are disabled by the DK command. Not applicable to the keys disabled by F_{12} .

Template EK,n

n: key switch number (0: all keys, 1 - F: refer F-Function F_{12})

Command

E	K	,	0	C _R	L _F
---	---	---	---	----------------	----------------

 ex. to enable all keys

Reply

E	K	,	0	C _R	L _F
---	---	---	---	----------------	----------------

13.3.3. Commands to Set Parameters

Set Limit/Setpoint Value

Sets the limit or setpoint value of the comparison. The decimal point is not necessary.

Template S_m,n, [value]

m: code memory number, 0 - 4

n : setpoint order number, refer to "Setting the setpoint"

Command

S	1	,	3	,	+	1	6	0	C _R	L _F
---	---	---	---	---	---	---	---	---	----------------	----------------

Reply

S	1	,	3	,	+	1	6	0	C _R	L _F
---	---	---	---	---	---	---	---	---	----------------	----------------

Set Zero Band

Sets the F_{26} value (zero band) of the comparison. The decimal point is not necessary.

Template SZ, [value]

Command

S	Z	,	+	7	4	8	C _R	L _F
---	---	---	---	---	---	---	----------------	----------------

Reply

S	Z	,	+	7	4	8	C _R	L _F
---	---	---	---	---	---	---	----------------	----------------

Set Preset Tare

Sets the preset tare value. The decimal point is not necessary.

Template PT,m, [value]

m: code memory number, 0 - 4

Command

P	T	,	2	,	2	1	3	C _R	L _F
---	---	---	---	---	---	---	---	----------------	----------------

Reply

P	T	,	2	,	2	1	3	C _R	L _F
---	---	---	---	---	---	---	---	----------------	----------------

Set Unit Weight for Counting Mode

Sets the unit weight value with decimal point.

Template UW,m, [value]

m: code memory number, 0 - 4

Command

U	W	,	2	,	2	1	.	3	C _R	L _F
---	---	---	---	---	---	---	---	---	----------------	----------------

Reply

U	W	,	2	,	2	1	.	3	C _R	L _F
---	---	---	---	---	---	---	---	---	----------------	----------------

13.3.4. Commands for Hold Function

Start Averaging to Hold

Starts averaging to hold. The reply differs with the conditions.

Template	HS							
Command	<table border="1"><tr><td>H</td><td>S</td><td>C_R</td><td>L_F</td></tr></table>	H	S	C _R	L _F			
H	S	C _R	L _F					
Reply	<table border="1"><tr><td>H</td><td>S</td><td>C_R</td><td>L_F</td></tr></table>	H	S	C _R	L _F	Averaging start		
H	S	C _R	L _F					
	<table border="1"><tr><td>H</td><td>D</td><td>,</td><td>1</td><td>C_R</td><td>L_F</td></tr></table>	H	D	,	1	C _R	L _F	Averaging now
H	D	,	1	C _R	L _F			
	<table border="1"><tr><td>H</td><td>D</td><td>,</td><td>2</td><td>C_R</td><td>L_F</td></tr></table>	H	D	,	2	C _R	L _F	Hold
H	D	,	2	C _R	L _F			

Release the Hold Data

Release the hold data or stop averaging and goes to the normal weighing mode.

Template	HC				
Command	<table border="1"><tr><td>H</td><td>C</td><td>C_R</td><td>L_F</td></tr></table>	H	C	C _R	L _F
H	C	C _R	L _F		
Reply	<table border="1"><tr><td>H</td><td>C</td><td>C_R</td><td>L_F</td></tr></table>	H	C	C _R	L _F
H	C	C _R	L _F		

Request Hold State

When receiving this command, returns the average/hold state immediately.

Template	HD							
Command	<table border="1"><tr><td>H</td><td>D</td><td>C_R</td><td>L_F</td></tr></table>	H	D	C _R	L _F			
H	D	C _R	L _F					
Reply	<table border="1"><tr><td>H</td><td>D</td><td>,</td><td>0</td><td>C_R</td><td>L_F</td></tr></table>	H	D	,	0	C _R	L _F	Not hold nor averaging
H	D	,	0	C _R	L _F			
	<table border="1"><tr><td>H</td><td>D</td><td>,</td><td>1</td><td>C_R</td><td>L_F</td></tr></table>	H	D	,	1	C _R	L _F	Averaging now
H	D	,	1	C _R	L _F			
	<table border="1"><tr><td>H</td><td>D</td><td>,</td><td>2</td><td>C_R</td><td>L_F</td></tr></table>	H	D	,	2	C _R	L _F	Hold
H	D	,	2	C _R	L _F			

13.3.5. Commands to Set Serial Data Output Format (UFC)

Set Serial Data Format

Sets the serial output data format.

Format 1 (2) data is stored in the same memory area of *F34* (*F35*).

Template	SFf, [parameters]									
	f: Format number, 1 or 2									
Command	<table border="1"><tr><td>S</td><td>F</td><td>1</td><td>,</td><td>\$</td><td>G</td><td>R</td><td>C_R</td><td>L_F</td></tr></table>	S	F	1	,	\$	G	R	C _R	L _F
S	F	1	,	\$	G	R	C _R	L _F		
Reply	<table border="1"><tr><td>S</td><td>F</td><td>1</td><td>,</td><td>\$</td><td>G</td><td>R</td><td>C_R</td><td>L_F</td></tr></table>	S	F	1	,	\$	G	R	C _R	L _F
S	F	1	,	\$	G	R	C _R	L _F		



13.4. UFC Command

- UFC(Universal Flexi Coms) function enables editing the serial data output format freely using the serial interface command.
- For customizing the print out of the printer or efficient data collecting.
- Output data is not only the indicator's data/status but also characters at will.
- It can output the control code* of the printer. (* depends on the individual printer)
- There are 2 set of memories for storing the parameters.

UFC Command Parameter

UFC commands such as SF1 have many parameters.

- One command line can has a multiple number of parameters. Parameters are stored in memory in order.
- Multiple UFC commands are possible. The parameters are stored next to the last parameter stored by the last UFC command.
- Clear all of the data first, if storing a new set of parameters. The parameters in the stored data can not be changed partially.
- The various types of parameters and their descriptions are shown below.

data	Weight, result of comparison etc.
\$CL	Clear previous settings. UFC command parameters can not be changed partially.
\$WT	Displayed data
\$GR	GRoss data
\$NT	NeT data
\$TR	TaRe data
\$HD	HeaDer of Gross/Net/Tare or Preset tare. Refer to CF06.
\$UT	Weight UniT
\$ST	STable/Unstable
\$CP	Result of ComParison
\$ID	ID number specified at F06
\$DN	Data Number increments with each output automatically
\$CD	CoDe memory number
\$AN	Accumulation count
\$TL	TotaL weight
\$CM	CoMma
\$CR	CR code (0Dh)
\$LF	LF code (0Ah)
\$DE	DElete the last parameter
\$DL	Inserting DeLay time (0.1 second step) Example: DL10: 1.0 second delay

strings

Output the specified strings, enclosed by a single quotation (').

' itself is described using three single quotations; '''.
'

Example: 'A & D' 'This is a sample of ''' . '

Set data bit = 8 bit if using the 8 bit characters.

hexadecimal

Control code of the printer etc, preceded by #.

2 characters preceded by # is hexadecimal code.

Example: #09, #7C

The #FF code can not be used because it is used for internal control.

□ Example

SF1,\$ID\$DN\$CR\$LF\$GR\$UT\$CR\$LF

Serial output data format 1, ID number, data number, carriage return and line feed, Gross weight, unit, carriage return and line feed.

SF2,' Welcome to A & D'\$LF'Total weight '\$AN\$TL\$LF\$LF

Serial output data format 2, the strings ' Welcome to A & D' and line feed, the strings 'Total weight ' accumulation count, total weight, and 2 sets of line feed.



14. RS-422/RS-485, Relay Output(OP-03)

- Replacing the RS-232C interface with this option, the RS-422/RS-485 interface can connect up to 32 indicators and control them from a computer or a PLC.
- The functions of RS-422/RS-485 interface are common to RS-232C except for the signal system.
- The relays output the result of comparison.

Solid-state-relay

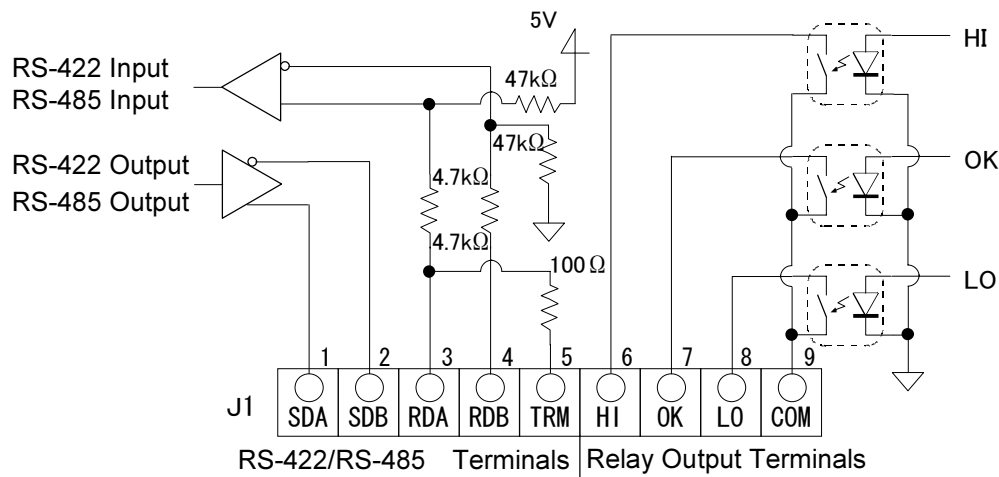
Maximum voltage DC50V

Maximum current DC100mA

Maximum resistance $8\ \Omega$

Pin connections and Circuits

Function	Pin No.	Signal name	Direction	Description
RS-422 RS-485	1	SDA	Output	Transmission A terminal
	2	SDB	Output	Transmission B terminal
	3	RDA	Input	Receive A terminal
	4	RDB	Input	Receive B terminal
	5	TRM	-	Terminator resistance($100\ \Omega$)
Relay output	6	HI	Output	Relay output HI
	7	OK	Output	Relay output OK
	8	LO	Output	Relay output LO
	9	COM	-	Relay output common



Adaptable connector

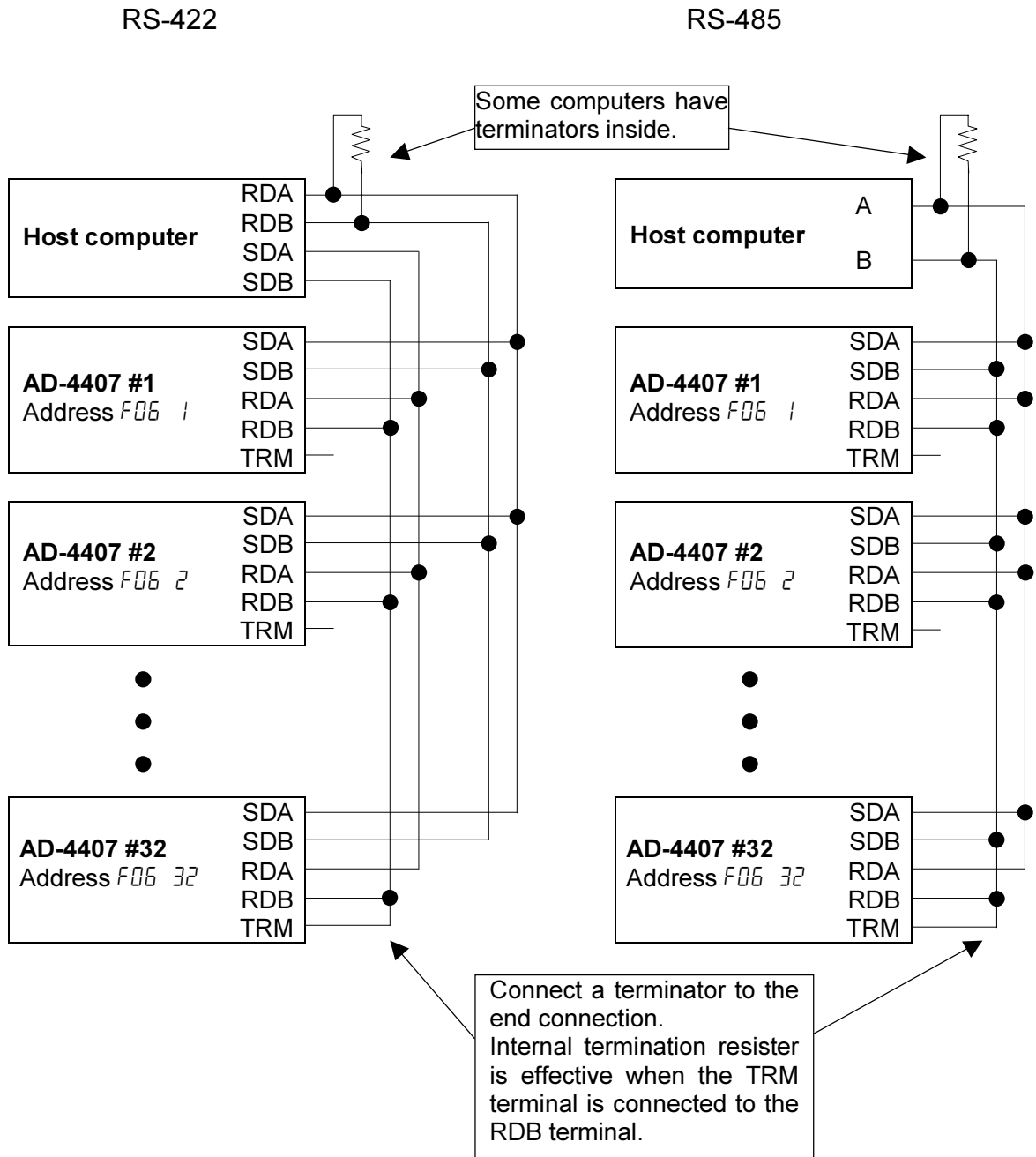
TM-BLA9 (of accessory)

Switching Between RS-422/RS-485

Switching between RS-422/RS-485 is made with the slide switch (SW1) on the OP-03 board.

Connection

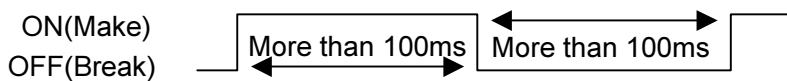
- The polarity of signal A and B may vary with different computers.
- It is not necessary to ground the SG terminal when using a computer without a signal ground terminal.





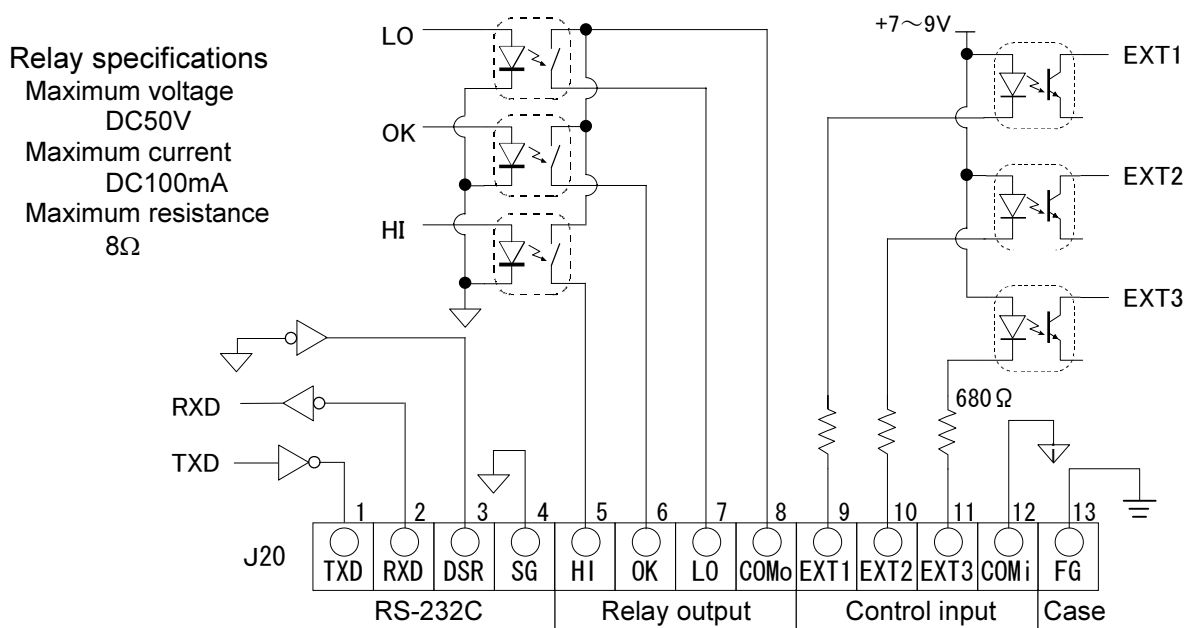
15. Relay Output & Control Input (OP-05)

- Replacing the RS-232C interface with this option, 3-relay outputs and 3-control inputs can be used with the RS-232C interface of this option.
- RS-232C functions are the same as the RS-232C interface described in “13. RS-232C Interface”.
- The solid state relays output the result of comparison.
- The control inputs can control the indicator from an external terminal just like the front panel key operations.
- Set the external control function at *F 13 - F 15* of the F-Functions.
- When connecting each function pin to the common pin, the indicator makes the action.
- Keep a signal width of more than 100ms for the On-time and Off-time.



Pin connections and Circuits

Function	Pin No.	Signal name	Direction	Description
RS-232C	1	TXD	Output	Transmit data
	2	RXD	Input	Received data
	3	DSR	Output	Data set ready
	4	SG	-	Signal ground
Relay output	5	HI	Output	Relay output HI
	6	OK	Output	Relay output OK
	7	LO	Output	Relay output LO
	8	COM(out)	-	Relay output common
Control input	9	EXT1	Input	Control input 1 (<i>F 13</i>)
	10	EXT2	Input	Control input 2 (<i>F 14</i>)
	11	EXT3	Input	Control input 3 (<i>F 15</i>)
	12	COM(in)	-	Control input common
FG	13	FG	-	Frame ground (case)



Relay specifications
 Maximum voltage
 DC50V
 Maximum current
 DC100mA
 Maximum resistance
 8Ω



16. 4-20mA Analog Output (OP-07)

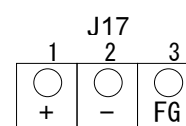
- The OP-07 analog output option is for sending the weight data to an analog input unit.
- The output is a 4mA to 20mA current output proportional to the display reading.
- The output data is updated in synchronization with the display update.

Specifications

Output current	4mA to 20mA *	Non-linearity		Less than +/- 0.1% fs
Load resistance	0 to 510 Ω	Temperature coefficient	ZERO	Less than +/- 0.02% fs/°C
Resolution	Approx. 1/10000		SPAN	Less than +/- 0.02% fs/°C
Output terminal	Connector terminal	No.1 : +	No.2 : -	No.3 : FG(Earth)

* When set to a non-weight display (Calibration, F-settings etc.), the output current is 4mA.

The output current is not adjustable.



Analog output terminal

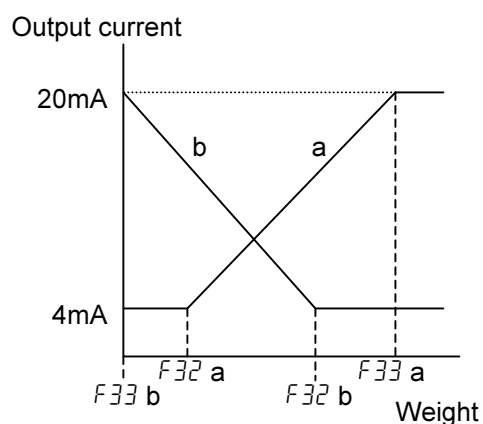
Settings

Set *F30* 1 of the F-Function, and set *F31* to *F33*.

	Item	Parameter	Remarks
Data output	<i>F30</i> Data output	* 0	No output Initial setting
		1	Analog output Must be set to 1
		2	Serial in/out 1
		3	Serial in/out 2
Analog output	<i>F31</i> Output data	* 0	Displayed value Initial setting
		1	GROSS weight
		2	NET weight
	<i>F32</i> Weight value at 4mA	-999999 to 999999 (Initial setting is 0)	Decimal point is set at [AL5ET]
<i>F33</i> Weight value at 20mA	-999999 to 999999 (Initial setting is 10000)	Decimal point is set at [AL5ET]	

Settings of *F32* and *F33*

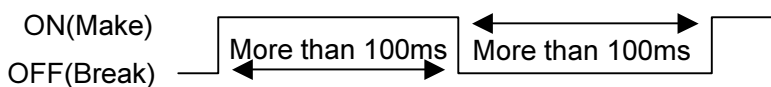
When entering the *F32* or *F33* settings (press the **ENTER** key when "32" or "33" is blinking), the setting value is displayed. Set the value using the 0 - 9 key. By pressing the +/- key, the polarity of the value can be alternated. Press the **ENTER** key to store the setting value into memory. After this the display returns to selection of the Function number.





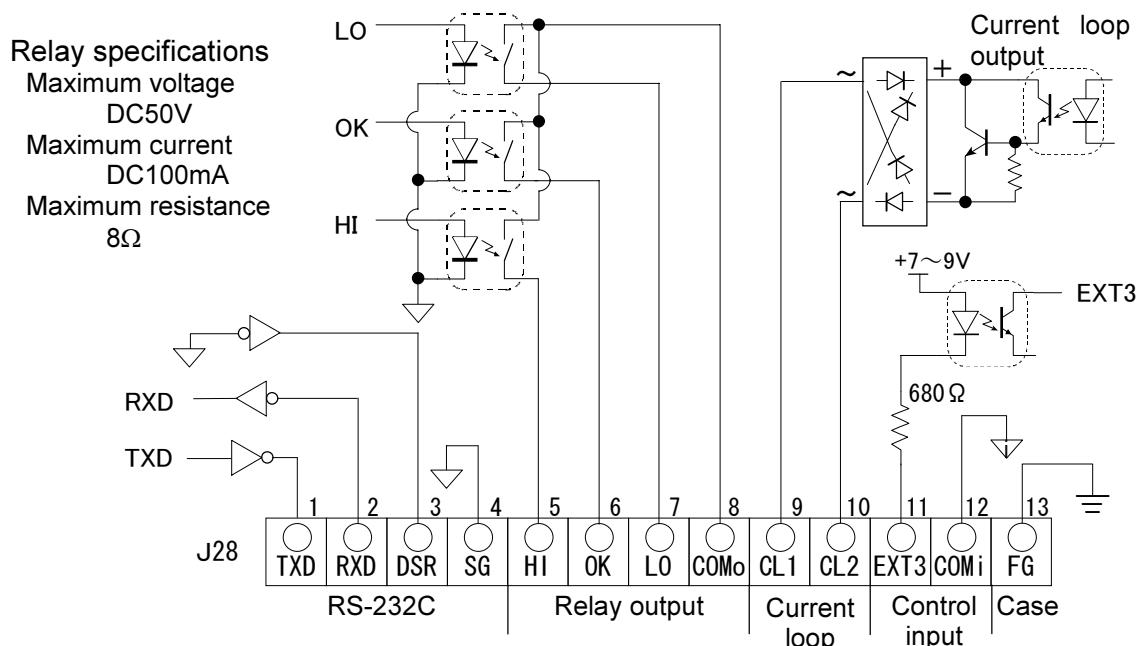
17. Current Loop Output (OP-08)

- Replacing the RS-232C interface with this option, current loop output, 3-relay outputs and 1-control input can be used with the RS-232C interface of this option.
- RS-232C functions are the same as the RS-232C interface described in “13. RS-232C Interface”.
- The solid state relays output the result of comparison.
- The control input can control the indicator from an external terminal just like the front panel key operations.
- Set the external control function at F15 of the F-Functions.
- When connecting the function pin and the common pin, the indicator makes the action.
- Keep a signal width of more than 100ms for the On-time and Off-time.



Pin connections and Circuits

Function	Pin No.	Signal name	Direction	Description
RS-232C	1	TXD	Output	Transmit data
	2	RXD	Input	Received data
	3	DSR	Output	Data set ready
	4	SG	-	Signal ground
Relay output	5	HI	Output	Relay output HI
	6	OK	Output	Relay output OK
	7	LO	Output	Relay output LO
	8	COM(out)	-	Relay output common
Current loop	9	CL1	Output	Current loop output 1
	10	CL2	Output	Current loop output 2
Control input	11	EXT3	Input	Control input 3 (F15)
	12	COM(in)	-	Control input common
FG	13	FG	-	Frame ground (case)

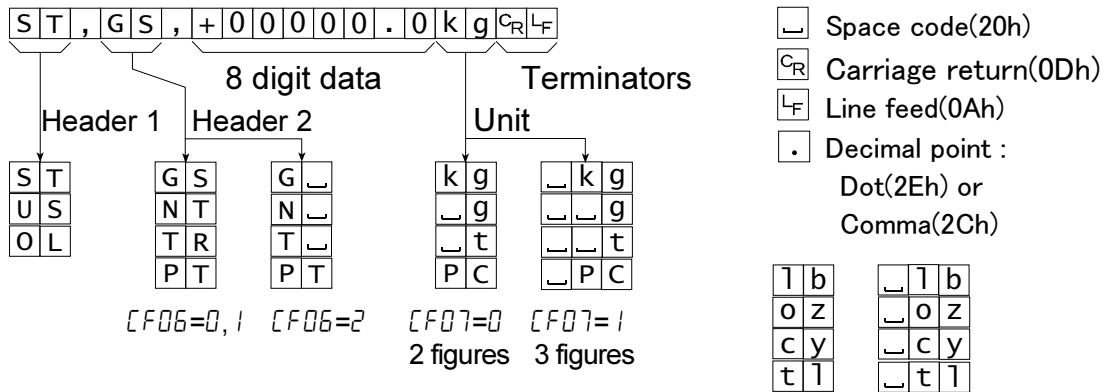


Current Loop Output

- The current loop output can be used to output the data to an A&D printer and a display unit.
- The current loop output is of the passive type and requires an external current source of 20 mA current. A&D's printer and display unit can be connected without an external power source, because they supply the current.
- The output terminals do not have a polarity. Each output terminal can be connected to either the plus or minus inputs of the peripheral unit.
- Set *F36*, *F37*, *F38* and *F39* of F-Functions. Please note the initial setting of *F37* is disabling the current loop output.

Data format

- The data format is the same as that of the initial setting of *F34* of RS-232C data format.
- The current loop output data format is fixed and can not be changed.
- The header 2 and the unit selection are common to RS-232C (*CF06*, *CF07*).





18. Specifications

Analog Input and A/D Conversion

Input sensitivity	Up to 0.25 μ V/division	
Input signal range	-1 mV ~ 15 mV	
Load cell excitation voltage	5V DC \pm 5%, 120 mA with sense voltage input	
Load cell drive capacity	Maximum 8 x 350 Ω load cells	
Temperature coefficient	Zero	$\pm(0.2 \mu\text{V} + 0.0008 \%$ of zero adjustment voltage)/ $^{\circ}\text{C}$ (typ.)
	Span	$\pm 0.0008\%$ / $^{\circ}\text{C}$ of reading (typ.)
Non-Linearity	0.01 % of full scale	
Maximum input noise	Less than 0.4 μ Vp-p	
Input impedance	10 M Ω or more	
A/D conversion method	Integrating dual slope type	
A/D resolution count	40000 counts	
A/D conversion rate and display update rate	Approximately 10 times/s	
Maximum display resolution	20000 (permissible 40000)	

Digital Section

Measurement display	7 segment, Vacuum fluorescent display tube	
	Character color	Cobalt-blue
	Character height	20 mm
State indicator Symbol	Minus sign, Zero point, Stable, Net, Preset tare value, Storing accumulation data, Percentage, Various state indicator (triangle \blacktriangledown 1,2,3)	
	Character color	Cobalt-blue
Comparison result	HI, OK, LO	
	Character color	Red for HI and LO, Green for OK
Unit	kg, g, t (lb, oz, lb-oz / catty, tl, catty-tl : depends on country)	
	Character color	Cobalt-blue

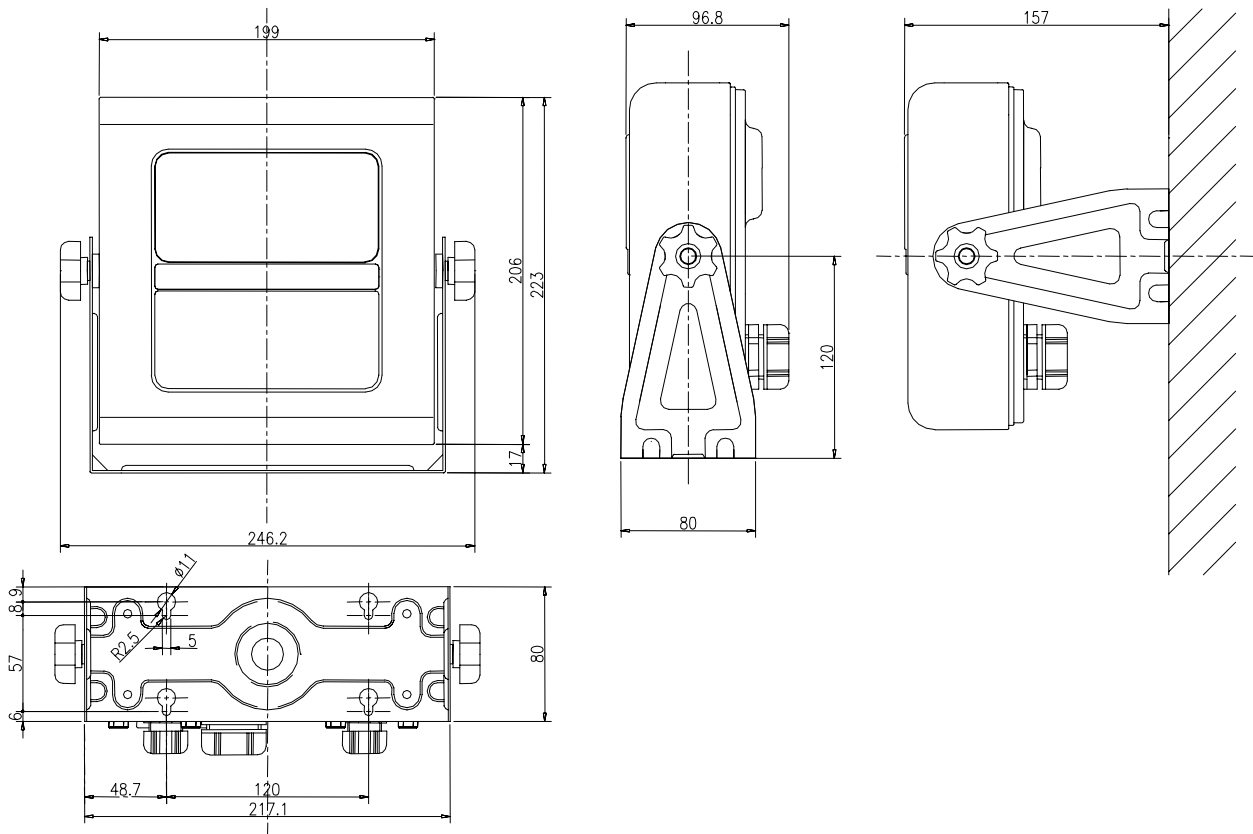
Interface

RS-232C interface	Serial interface for communication (terminal block)
RS-422/485 interface	Serial interface for communication, control (terminal block)
Current Loop output	20mA, passive type (terminal block)
Analog output	4-20mA, free scaling output (terminal block)
External Control Input	3 or 1 input selected functions (terminal block)
Relay output	3 point (terminal block)
	Capacity: 50V AC/DC, maximum current 100mA (resistive load)
	Comparison mode selection
	HiHi, Hi, OK, Lo, LoLo output for limit comparison
	Zero band, preliminary, free fall, final for setpoint comparison

General

Power supply	Selection by internal connector from 100V AC, 120V AC, 200V AC and 230V AC, +10% to -15%, 45Hz to 65Hz
Power consumption	Approximately 20VA
Operation temperature	-10°C to +40°C (14°F to 104°F)
Operation humidity	85% R.H. (no condensation)
Mass	1950g approximately
Dimensions	199(W) x 206(H) x 80(D) mm
Accessories	Refer to "4.1.4. Accessories and Option"

18.1. Dimensions





A&D Company, Limited

3-23-14 Higashi-Ikebukuro, Toshima-ku, Tokyo 170-0013 JAPAN
Telephone: [81] (3) 5391-6132 Fax: [81] (3) 5391-6148

A&D ENGINEERING, INC.

1555, McCandless Drive, Milpitas, CA. 95035 U.S.A.
Telephone: [1] (408) 263-5333 Fax: [1] (408)263-0119

A&D INSTRUMENTS LTD.

Unit 24/26 Blacklands Way, Abingdon Business Park, Abingdon, Oxon OX14 1DY United Kingdom
Telephone: [44] (1235) 550420 Fax: [44] (1235) 550485

<German Scales Office>

Große Straße 13 b 22926 Ahrensburg GERMANY
Telephone: [49] (0) 4102 459230 Fax:[49] (0) 4102 459231

A&D MERCURY PTY. LTD.

32 Dew Street, Thebarton, South Australia 5031 AUSTRALIA
Telephone: [61] (8) 8301-8100 Fax: [61] (8) 8352-7409

A&D KOREA Limited

8th Floor, Manhattan Bldg. 36-2 Yoido-dong, Youngdeungpo-ku, Seoul, KOREA
Telephone: [82] (2) 780-4101 Fax: [82] (2) 782-4280