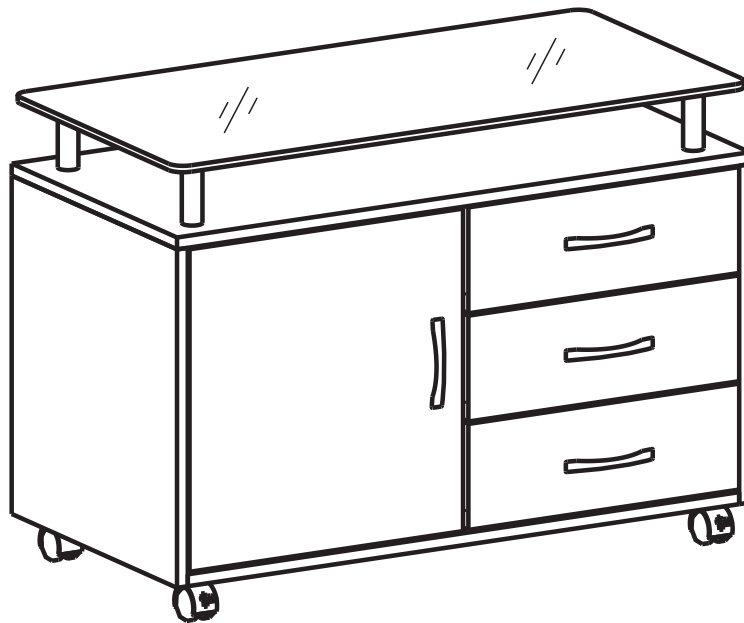


MODEL RTA-S10

(This product comes in 2 boxes)

ASSEMBLY INSTRUCTIONS

Thank you for purchasing our product.



REV.LS-6541-0122-2





- Please read carefully the assembly instructions before the installation.

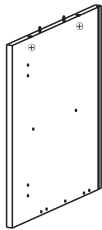
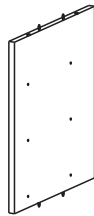

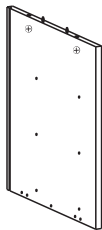

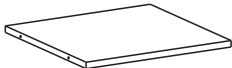
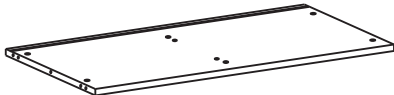
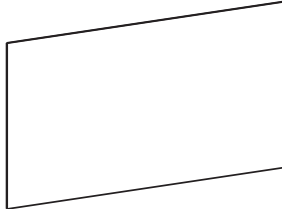
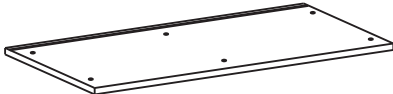




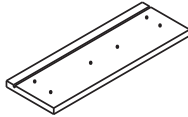
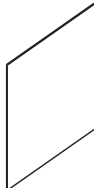
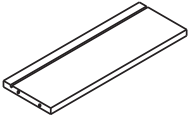
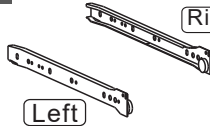
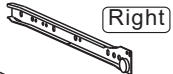




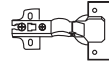


- Do not discard this manual or any of the packaging material until the unit has been completely assembled.

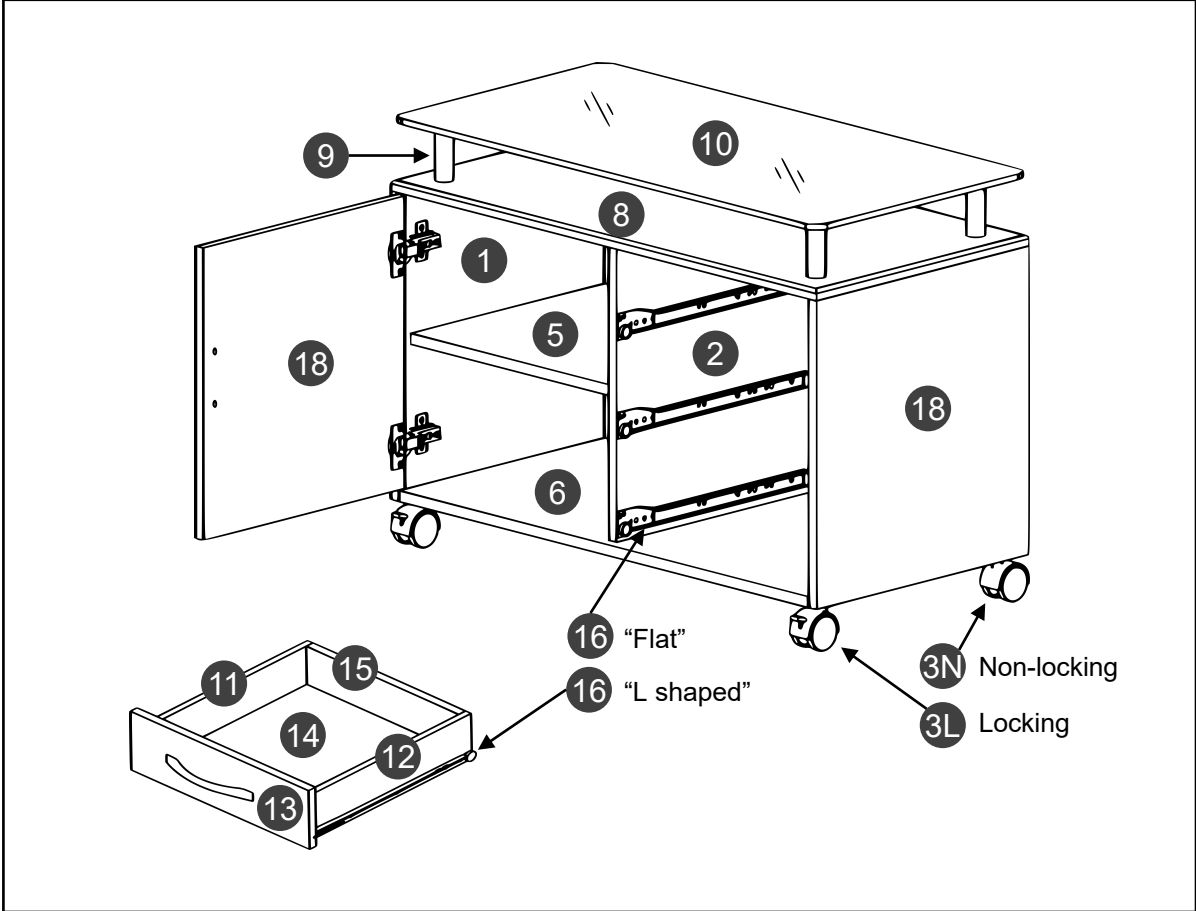


- Might require two people.


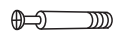
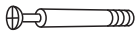

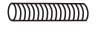





MAIN PARTS LIST

<p>1 Left panel x1</p> 	<p>2 Center panel x1</p> 	<p>3L Locking casters x2</p> 	<p>4 Right panel x1</p> 	
		<p>3N Non-locking casters x2</p> 		
<p>5 Left shelf x1</p> 	<p>6 Bottom panel x1</p> 	<p>7 Back panel x1</p> 		
<p>8 Top wood panel x1</p> 	<p>9 Support tube x4</p> 	<p>10 Top glass panel x1</p> 		
<p>11 Drawer left panel x3</p> 	<p>12 Drawer right panel x3</p> 	<p>13 Drawer front panel x3</p> 	<p>14 Drawer bottom panel x3</p> 	<p>15 Drawer back panel x3</p> 
<p>16 Sliders, Set of 4 pcs for each drawer x3</p> <div style="display: flex; justify-content: space-around;"> <div style="text-align: center;">  <p>Left</p> </div> <div style="text-align: center;">  <p>Right</p> </div> <div style="text-align: center;">  <p>Left</p> </div> <div style="text-align: center;">  <p>Right</p> </div> </div> <p>"Flat": 2 pcs, go inside the cabinet</p> <p>"L shaped": 2 pcs, go on the drawers</p>		<p>17 Handle x4</p> 	<p>18 Door panel x1</p> 	<p>19 Hinge x2</p> 

MAIN PARTS LAYOUT (FOR REFERENCE):



LIST OF HARDWARE, SCREWS AND FITTINGS

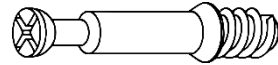
PART	QTY	ITEM		PART	QTY	ITEM	
A	18	M4x14		F	12	M6x25 Bolt	
B	16	M6x40 Bolt		G	12	M4x35	
C	4	M6x20 (Headless)		H	24	M3x15	
D	4	M6x25		I	8	M4x20	
E	8	M4x16			1	Screwdriver	

☛ This unit uses cam bolts and locks. The following explains how to use them. This is not an assembly step; it is a guide for when you are actually doing the assembly using this kind of hardware.

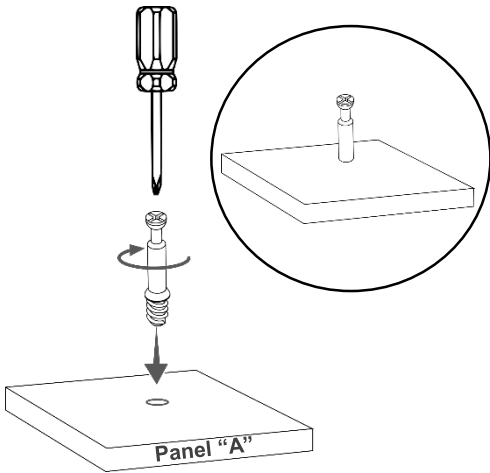
Cam Lock



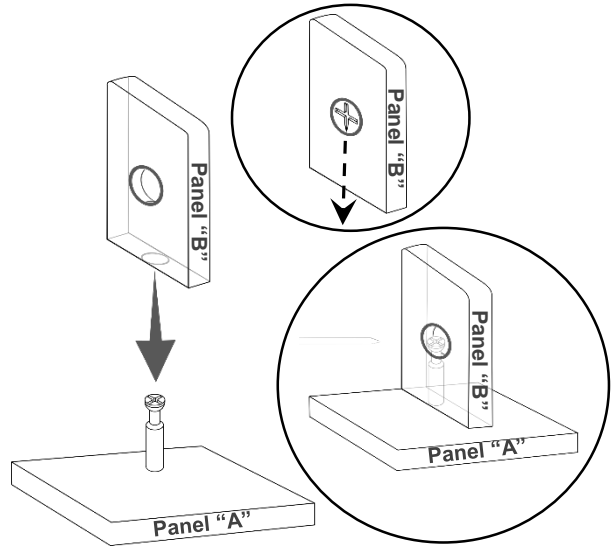
Cam Bolt



1. Screw the bolt into the corresponding hole on panel "A".

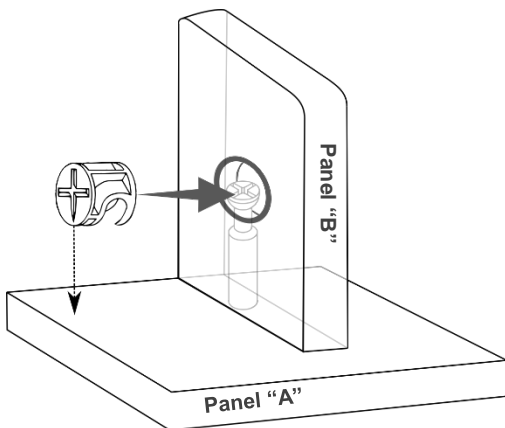


2. Join panel "B" to panel "A". If panel "B" comes with the cam lock pre-installed, make sure it is aligned to receive the bolt's head (refer to point 3). There might be a very small gap between the panels which is normal.

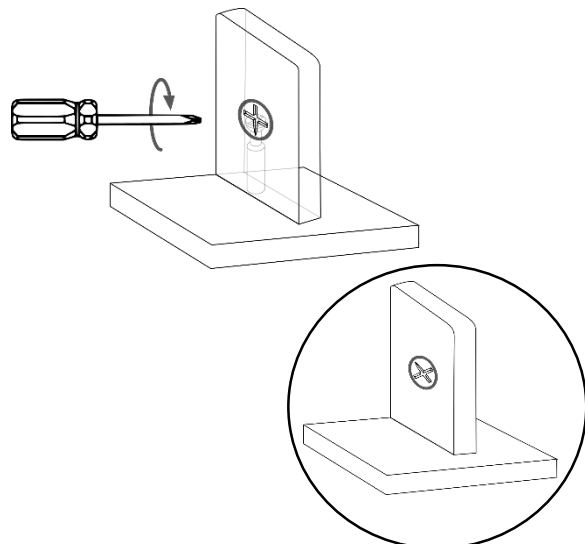


3. Insert the cam lock on panel "B" making sure it goes aligned to receive the bolt's head.

Alignment: The cross points towards the panel "A" with the bolt.



4. Turn the cam lock clockwise. This will lock the parts together and will close any gaps.

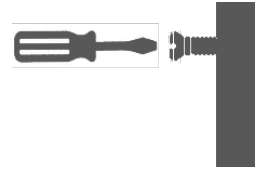


BEFORE YOU START THE ASSEMBLY, PLEASE READ THE FOLLOWING TIPS AND WARNINGS.

1 Do a quick inventory to make sure the package contains all the parts and hardware listed in the assembly instructions.



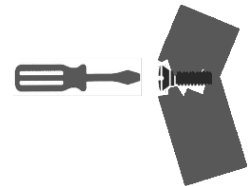
7 To avoid misalignments, always leave the screws loose and tighten them until all pieces are positioned correctly.



2 Missing, damaged and defective parts can be replaced at no cost to you. Please refer to the last pages on this manual.



8 Do not overtighten or force the screws as they might break, strip, damage the threads of the holes or get stuck inside the part.



3 The replacement parts service is limited to the 48 contiguous United States. If you reside in Alaska, Hawaii, Puerto Rico, U.S. territories or other countries, please contact the supplier from where the unit was purchased.



9 Sometimes the laminate might cover partially or entirely the hole on a panel. If there is no visible hole for the screw, pass and press the tip of your finger over the area where the hole should be located to feel the indentation, and once found, carefully pierce the laminate to reveal the hole underneath.



4 If during assembly you find an issue or need clarification, please contact our Customer Service for assistance. Please refer to the last pages on this manual.



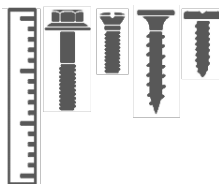
5 On each step read the instructions and analyze the illustrations thoroughly before proceeding to do the assembly.



10 If the hole seems too small for the screw, first make sure you are using the correct size of screw and that it's been installed in the correct hole. If the hole still appears to be too small, carefully pierce the laminate to reveal the hole's actual size.



6 Make sure you understand which hardware will be used on each step. Using the wrong size of screw, bolt or pin might strip the threads or cause damage to the part in which it is being used.



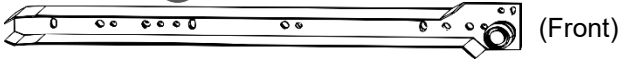
ASSEMBLY STEPS

STEP 1

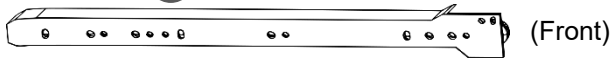
Grab all the sets of sliders **16** (total 12 pcs) and separate them into 2 groups according to their shape:

- The "Flat" ones will be used on the next step.
- The "L Shaped" will be used until step 19, set them

16 aside. ("Flat" Right, x3)

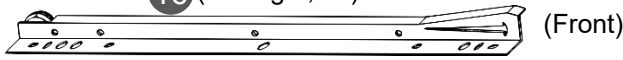


16 ("Flat" Left, x3)

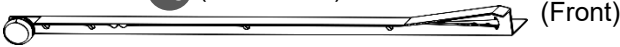


The "Flat" ones will be used on step 2.

16 ("L" Right, x3)



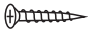
16 ("L" Left, x3)



The "L-Shaped" will be used on step 19, set them aside.

STEP 2

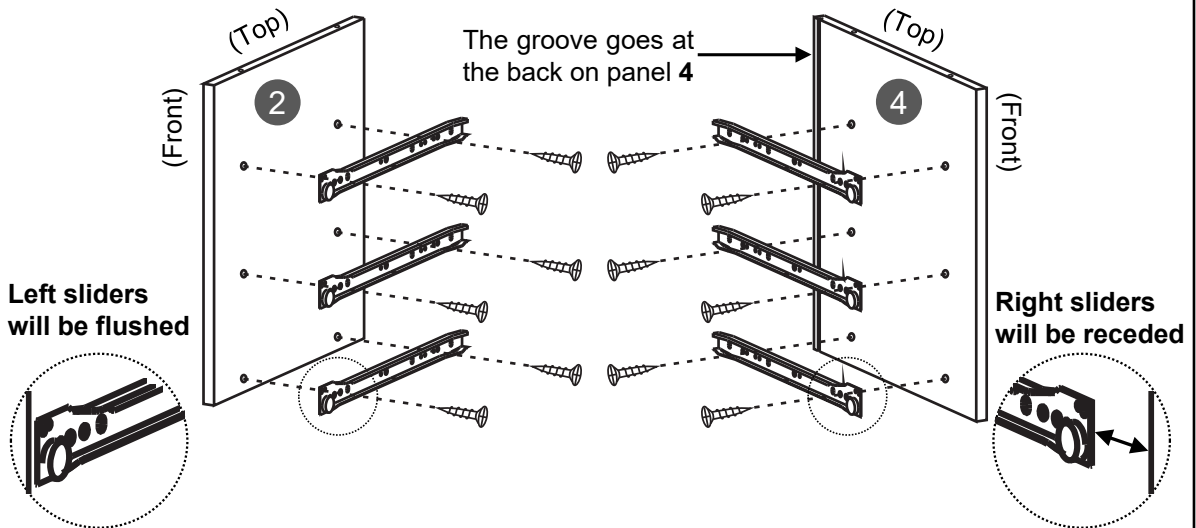
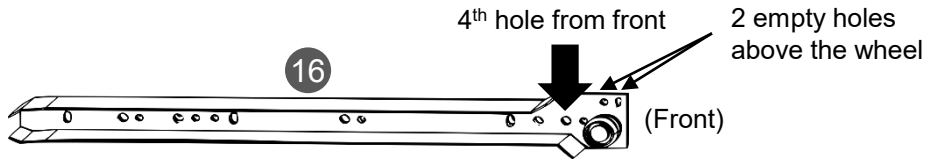
Hardware:

H		12 Pcs
	M3x15	



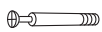
Assemble the "Flat" sliders **16** to the side panels **2** and **4** with screws **H**. Please note:

- The sliders attach at the front on the 4th hole
- The wheel is at the front, and faces down with 2 empty holes above it.
- On panel **2** they are flushed with the edge, on panel **4** they are receded by about half inch.



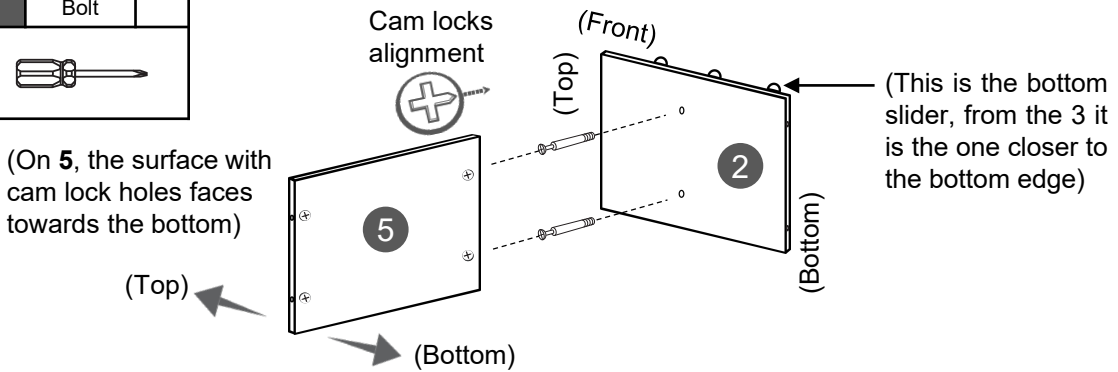
STEP 3

Hardware:

B		2 Pcs
	M6x40 Bolt	




- Attach bolts **B** on the other side of panel **2**.
- Make sure the cam locks on panel **5** are aligned and ready to receive the bolts, just as as explained in page 4.
- Join panel **5** to panel **2** and turn the cam locks.



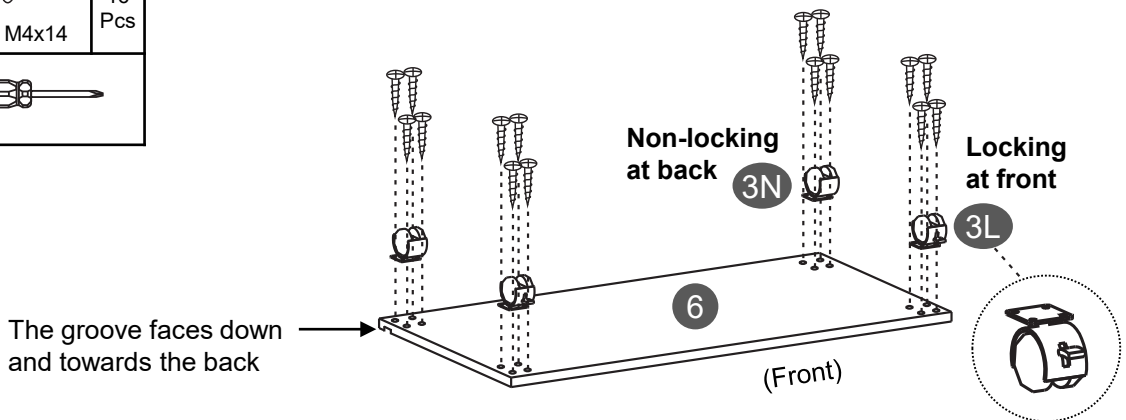
STEP 4

Hardware:

A		16 Pcs
	M4x14	

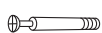


Assemble the casters **3L** and **3N** to the bottom surface of panel **6** with screws **A**, making sure the locking casters **3L** go at the front.



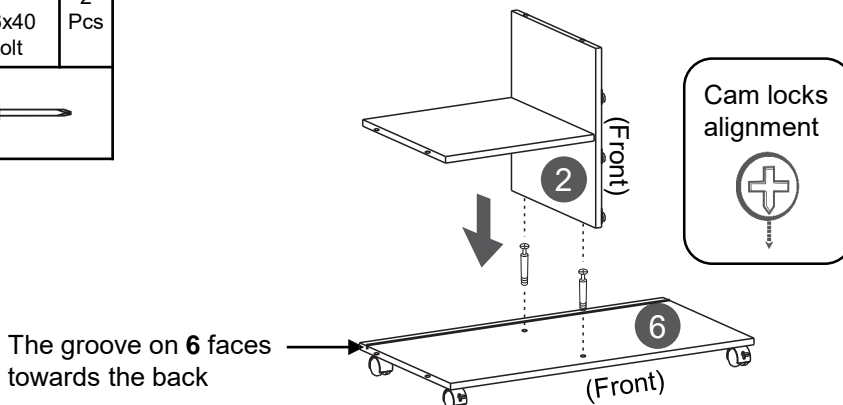
STEP 5

Hardware:

B		2 Pcs
	M6x40 Bolt	

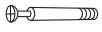


- Attach bolts **B** on the other side of panel **6**.
- Check the alignment of the cam locks on panel **2**, and assemble it to panel **6** as explained in page 4.



STEP 6

Hardware:

B		6
	M6x40 Bolt	Pcs

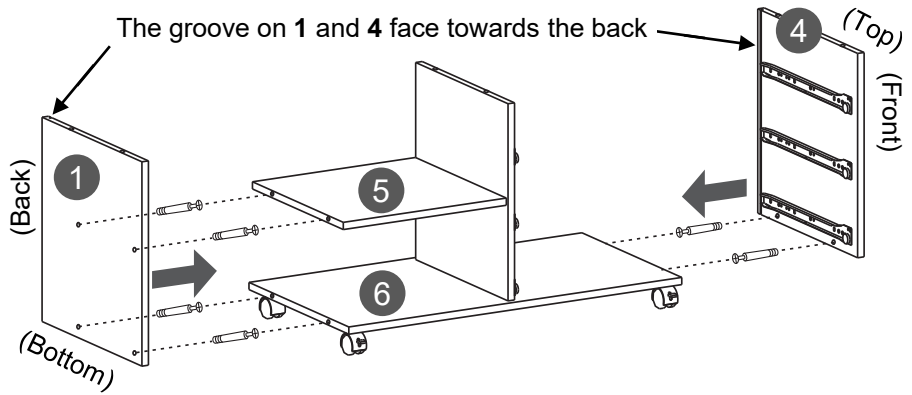


Cam locks alignment



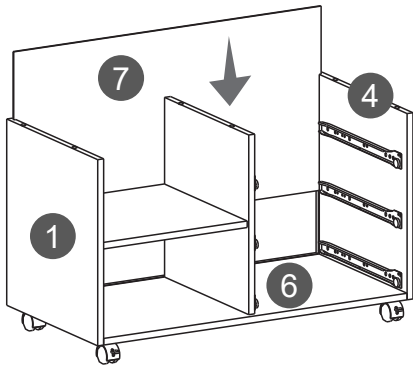
Using bolts **B**, and following the procedures explained in page 4:

- Assemble the left panel 1 to panels 5 and 6.
- Assemble the right panel 4 to panel 6.



STEP 7

Slide the back panel 7 through the grooves on panels 1 and 4 and into panel 6.



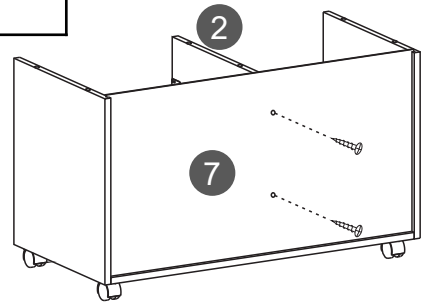
STEP 8

Hardware:

A		2
	M4x14	Pcs

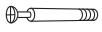


Secure panel 7 to 2 with screws **A** from behind.



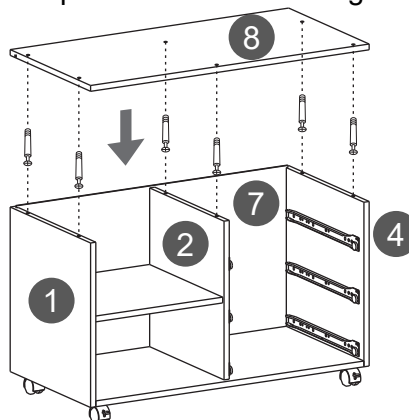
STEP 9

Hardware:

B		6
	M6x40 Bolt	Pcs

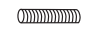


Using bolts **B**, and following the procedures explained in page 4, assemble the top wood panel 8 to panels 1, 2 and 4, also making sure the back panel 7 enters into its groove.

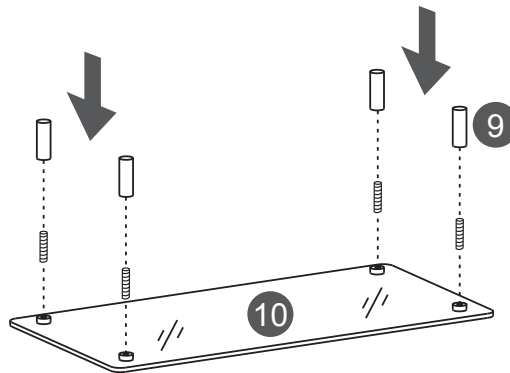



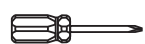
Cam locks alignment



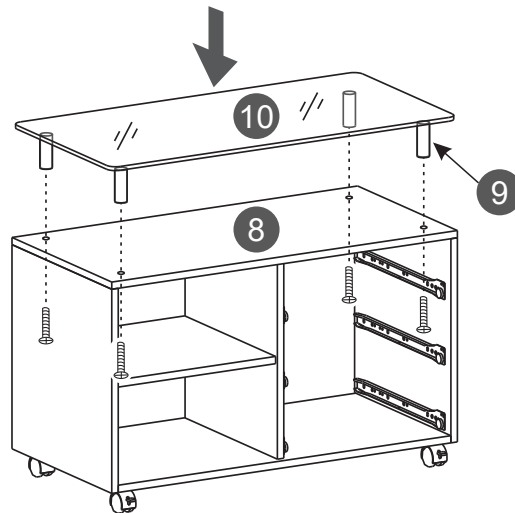
STEP 10		
Hardware:		
C	 M6x20 Headless	4 Pcs



Assemble the tubes **9** to the metal discs of the top glass panel **10** with screws **C** (headless).



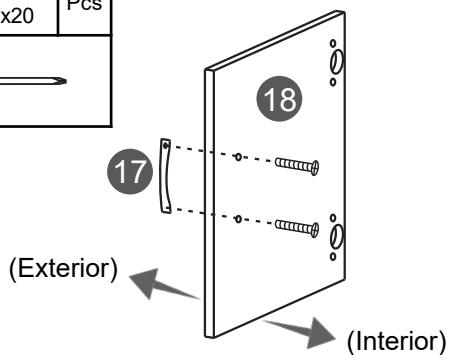
STEP 11		
Hardware:		
D	 M6x25	4 Pcs
		



Assemble the tubes **9** from the glass panel **10** to the top wood panel **8** with screws **D** from underneath.



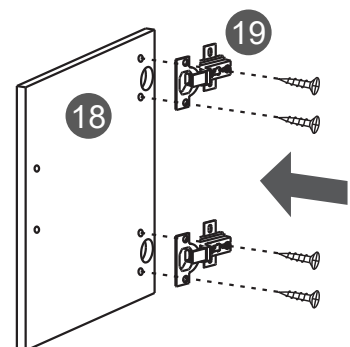
STEP 12		
Hardware:		
I	 M4x20	2 Pcs
		

Assemble one handle **17** to the exterior face of the door **18** with screws **I**.



STEP 13		
Hardware:		
E	 M4x16	4 Pcs
		

Assemble the hinges **19** to door **18** with screws **E**.



STEP 14A

Hardware:

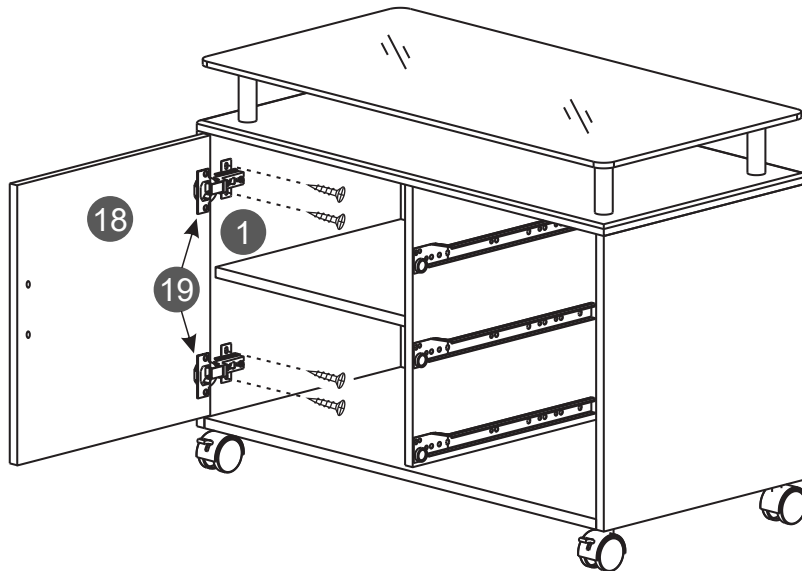
E



M4x16

4
Pcs

Assemble the hinges **19** on the door **18** to panel **1** with screws **E**.
If the door does not close smoothly or requires alignment, follow the instructions **14B**, otherwise, continue to step **15**.



STEP 14B

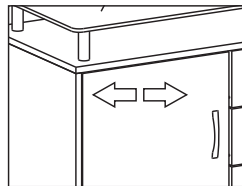
Hardware:



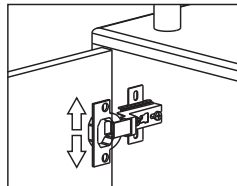
Do this step only if the door does not close smoothly or requires alignment.

Adjust the position of the door by loosening up the corresponding screws on the hinges. When the optimal position is reached, re-tighten the screws (*except the one that adjusts the door side-to-side).

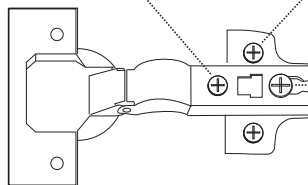
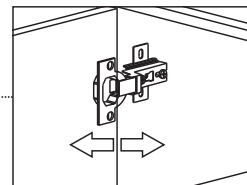
* Adjusts the door side-to-side when it is closed.



Adjusts the door vertically

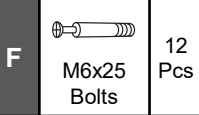


Adjusts the door horizontally

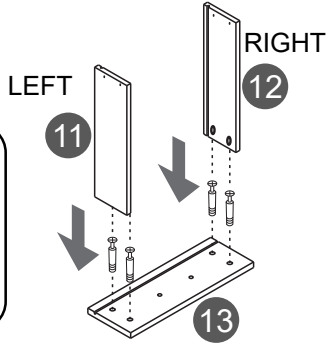
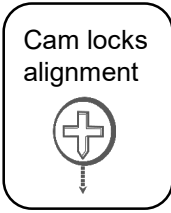


STEP 15

Hardware:

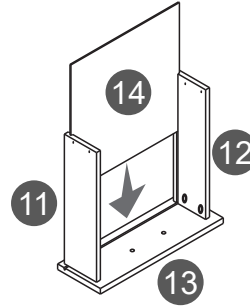


For each of the 3 drawers, assemble the side panels **11** and **12** to the front panel **13** with bolts **F** as explained in page 4.



STEP 16

For each of the 3 drawers, slide the bottom panel **14** through the grooves of the side panels and into the front panel as shown.

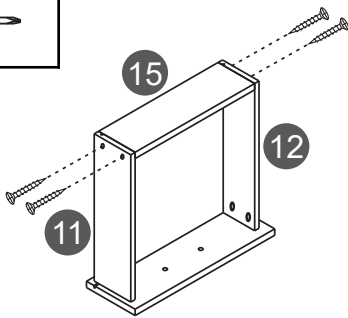


STEP 17

Hardware:



For each of the 3 drawers, assemble the back panel **15** to the side panels **11** and **12** with screws **G**.

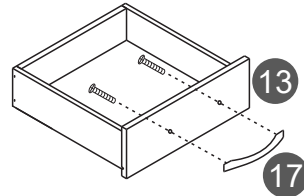


STEP 18

Hardware:

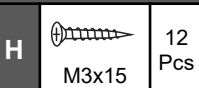


For each of the 3 drawers, assemble the handle **17** to front panel **13** with screws **I**.

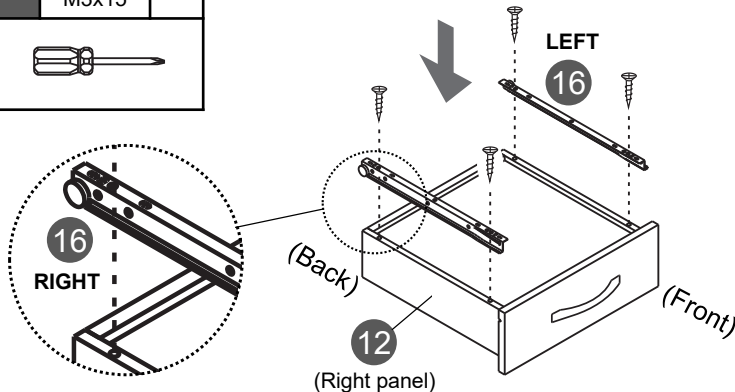


STEP 19

Hardware:



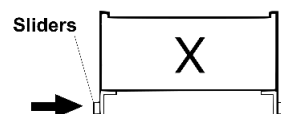
For each of the 3 drawers, flip upside-down and assemble the "L" sliders **16** with screws **H**, making sure the wheel goes towards the back, and that they don't protrude, otherwise, the drawer raises 1" and won't fit in the cabinet.



When finished, the sliders should look like this from the back of the drawer:

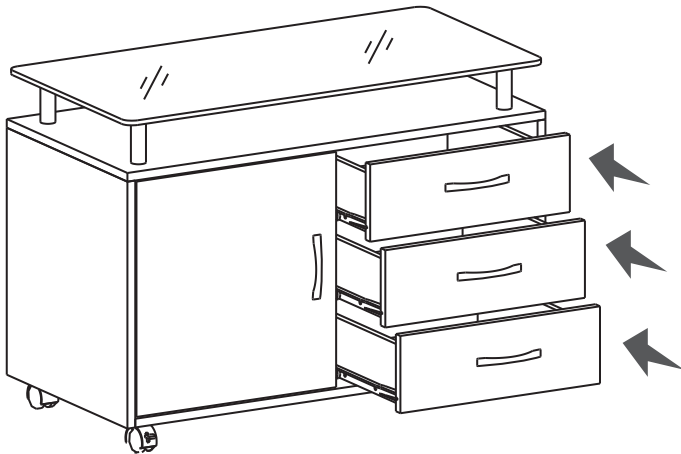


The following is incorrect, will raise 1" and the drawer won't fit:



STEP 20

- Insert the drawers into the cabinet, starting with the bottom one, then middle, then top. Insert at an angle with their fronts facing down, making sure the wheels from the drawer slide in the middle of the sliders inside the cabinet.
- If the drawers don't close by about half inch, or the top drawer doesn't fit, review the assembly done in steps 2 and 19 for the correct assembly of the sliders.



If you are having these issues:

- Drawers don't close by half inch;

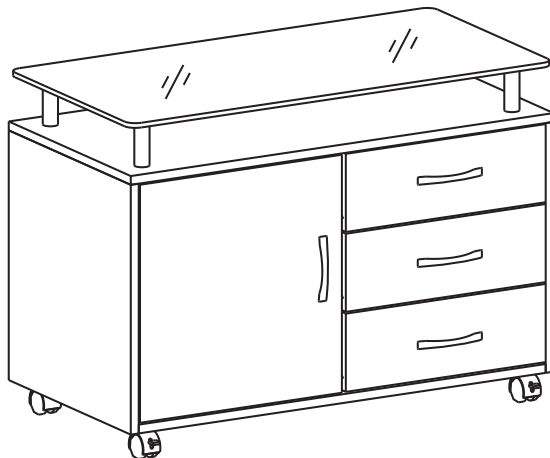
- Top drawer doesn't fit;

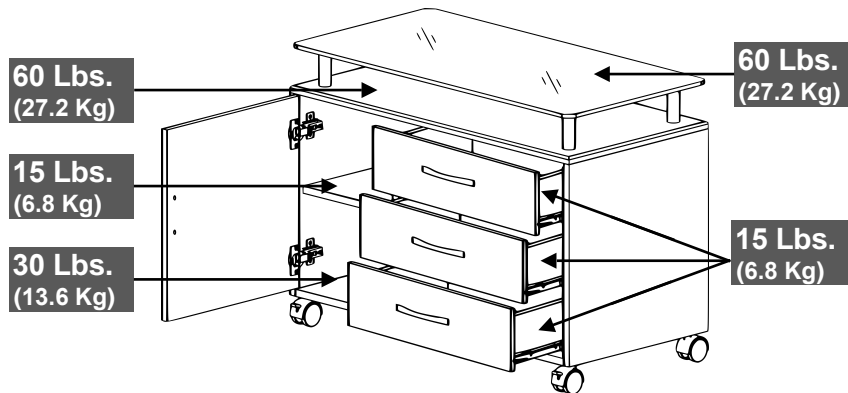
Review steps 2 and 19 for the correct assembly of the sliders.



ALL DONE!

Give yourself a nice pat on the back. You did a great job!



CARE, MAINTENANCE AND SAFETY WARNINGS:**WEIGHT LIMITS**

- Do not exceed the indicated weight limits.
- Do not expose the surfaces to direct sunlight or to extreme environmental conditions.
- Clean the surfaces preferable with a clean cloth damped in a solution of mild soap and water, then dry with a clean towel.
- Do not use solvents or abrasive materials to clean the unit.
- If you decide to use a cleaning agent, test first on an area hidden from view such as underneath the tabletop.
- Do not sit on the unit or lean against it.
- Do not allow small children to climb over the unit.
- Do not allow small children to reach inside the drawers or shelves without your supervision.
- Make sure to unlock the front casters before rolling it away.
- Before moving the unit, make sure to secure any object on the top glass that might fall off.
- When lifting the unit, use both hands and bend your knees, not your backs.
- When transporting the unit to places far away, protect and secure the unit to avoid damage in transit.
- The glass is made of safety tempered glass. The safety feature is that when breakage occurs, the glass shatters into many tiny pieces minimizing the risk of serious injuries. If the glass breaks, do not handle the pieces with your bare hands, take some pictures and contact Customer Service immediately.
- Shall any part of the unit become defective during the warranty period, replacement parts might be available to you at no charge. Please refer to the last pages on this manual.
- The warranty does not extend to regular wear and tear, nor the manufacturer assumes liability for damages or consequences due to accidents, incorrect assembly, negligence, improper use, modifications, or not heeding the above warnings.

TECHNI MOBILI WARRANTY
DESKS/LAPTOP CARTS/FILE CABINETS: LIMITED 5-YEAR WARRANTY
TV Stand/Entertainment Center: 2 YEAR WARRANTY

RTA Products, LLC warrants to the Original Purchaser who acquired a new product from RTA Products or its authorized resellers that this product will be free from defects in its workmanship and materials, under normal use and service conditions, as described herein. "Defects" as used in this warranty, is defined as any imperfections that impair the use of the furniture or product. RTA Products LLC will replace any defective part, at its discretion, and without charge to the original purchaser other than the freight from the end consumer to RTA Products.

Replacement parts can only be supplied if parts are available. Items out of production may be unavailable. This warranty will be effective for the applicable time period beginning the date of purchase on your original sales receipt. RTA product's obligation under this warranty is limited to repairing or replacing products or parts as provided herein. This product has been designed for and is intended for office and home-office use only. This warranty is Original Purchaser's sole remedy for product defects, and this warranty does not extend to any product, or damage to any product, caused by or attributed to abuse or misuse, products used for commercial or rental purposes, use modifications of, or attachments to the product, and products or parts not used, maintained, or extended hereunder is in lieu of any and all other warranties, express or implied, including without limitations any implied warranty or merchantability or of fitness for a particular purpose. Please note, all desks made with PVC Laminate surface should not be exposed to direct sunlight, as it may damage the material. Damage of this nature is not covered under this warranty.

RTA Products will not be responsible for indirect, special, incidental or consequential damages. This warranty is limited to merchandise purchased in the Continental United States. Some States do not allow the exclusion or limitation of incidental or consequential damages, so the above limitations or exclusions may not apply to you. This warranty gives you specific legal rights. You may also have other rights that may vary from state to state.

RTA Products will advise you of the procedure to follow in making warranty claims. The following are the procedures for warranty claims:

- a. Call us Monday – Friday, from 9am-5pm (Eastern Time) at (866) 782-5520 to explain the defect and give your name, address and phone number. Please have ready the model number of our product, date and place of purchase. You can also write to us by e-mail to warranty@rtaproducts.com and include the same information.
- b. If we determine that replacement will remedy the situation, and in order to determine the extent or the cause of the defect, purchaser will need to send the part in question at purchaser's expense. Once we receive the part, we will examine it and determine whether the claim is valid (or not), and then proceed to send the replacement. We will ship the replacement at our expense.

FOR SEVERAL HELP OPTIONS INCLUDING REPLACEMENT PARTS ORDERS

VISIT: WWW.TECHNIMOBILI.COM



CLICK ON SUPPORT TAB



Scan QR Code to order replacement parts

OR EMAIL US: SUPPORT@RTAPRODUCTS.COM