

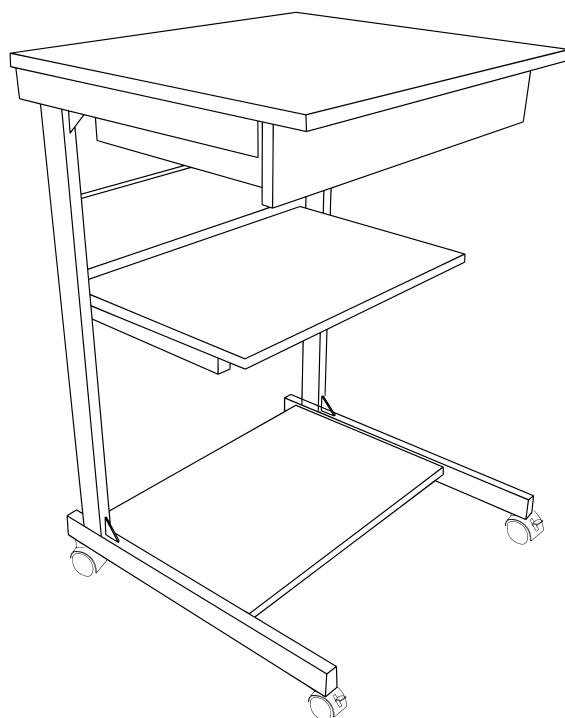
ROLLING LAPTOP CART WITH STORAGE

MODEL RTA-B018

ASSEMBLY INSTRUCTIONS

REV.CS-7282-0423

Thank you for purchasing our product



FRENCH



Scan QR to view the manual in French

VIDEO



Scan QR to view full assembly video

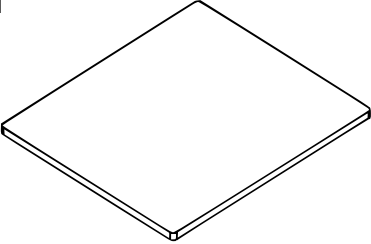
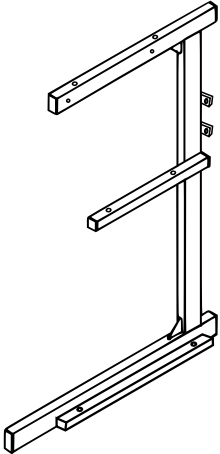
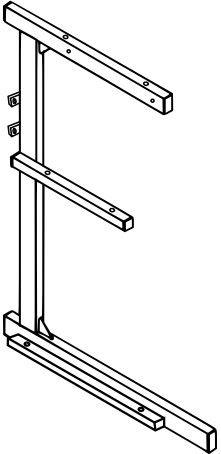
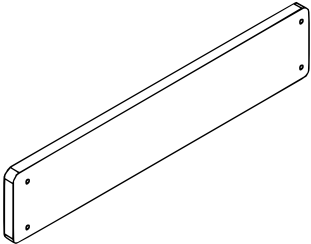
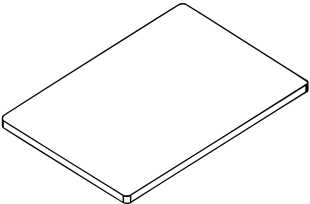
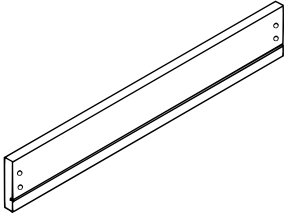
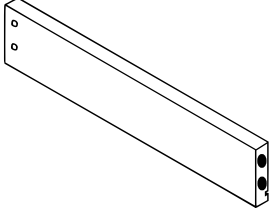
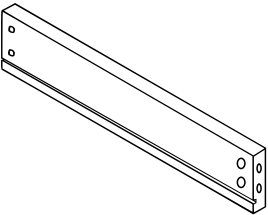
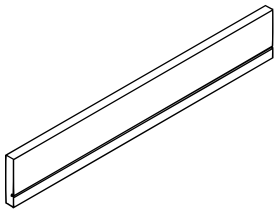
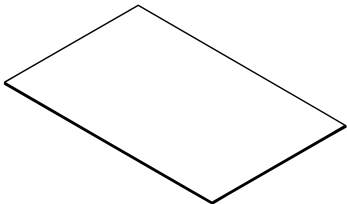
ARABIC



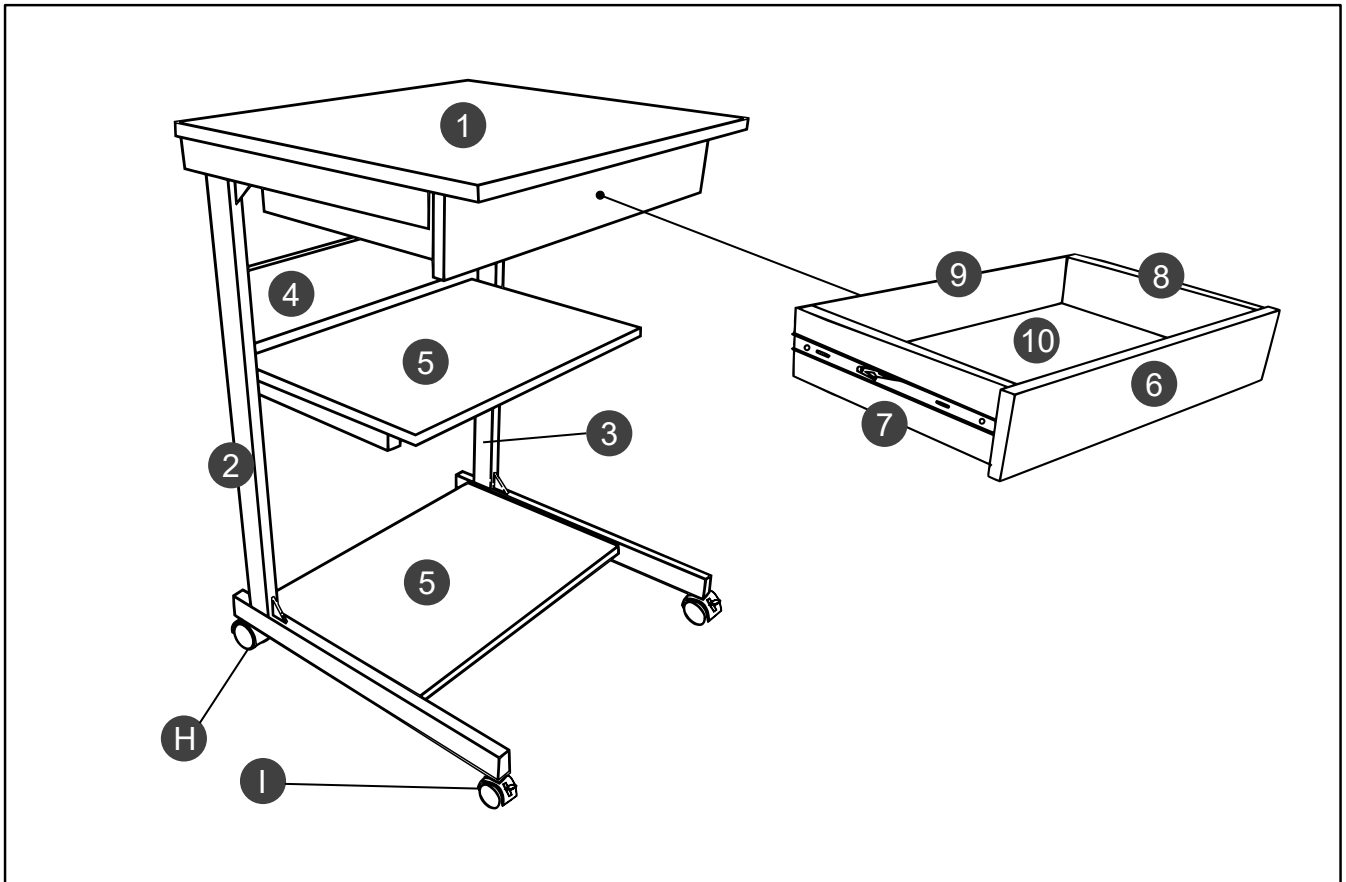
Scan QR to view the manual in Arabic

<p>Do a quick inventory of all the parts and hardware listed below.</p> 	<p>For Support, assembly questions & Replacement Parts within the 48 Contiguous United States:</p> <p>Please email us at: support@rtaproducts.com</p> 	<p>Replacement Parts for International Customers & AK-HI-PR orders: RTA Products will replace the part free of charge, while the customer is responsible for shipping costs plus any International local taxes or duties.</p>
---	---	---





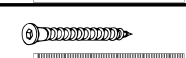
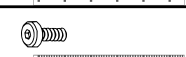
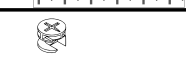
MAIN PARTS LIST



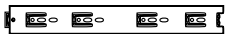
<p>1 Top panel x1</p> 	<p>2 Left frame x1</p> 	<p>3 Right frame x1</p> 
<p>4 Back panel x1</p> 	<p>5 Shelf x2</p> 	<p>6 Drawer front panel x1</p> 
<p>7 Drawer left panel x1</p> 	<p>8 Drawer right panel x1</p> 	<p>9 Drawer back panel x1</p> 
<p>10 Drawer bottom board x1</p> 		

MAIN PARTS LAYOUT (For reference)







HARDWARE LIST

PART	QTY	SIZE	ITEM
A	4	M6x50	
B	8	M6x30	
C	4	M6x30 Bolt	
D	8	M4x12	
E	4	M4x35	
F	4	M6x12	
G	4	Cam lock	

PART	QTY	SIZE	ITEM
H	2	Non-locking caster (back)	
I	2	Locking caster (Front)	
J	2	Sliders	

INCLUDED TOOLS

1	M4 Allen Wrench		
1	Hex Wrench (Spanner)		

OTHER TOOLS YOU WILL NEED BUT NOT INCLUDED WITH THE PRODUCT

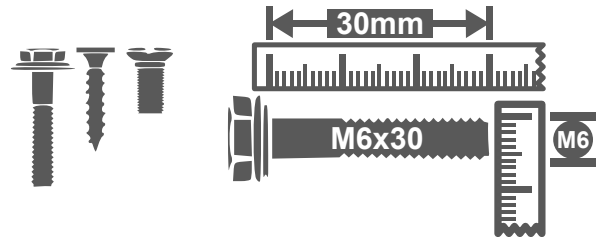
1	Phillips Screwdriver	
---	----------------------	---

BEFORE YOU START THE ASSEMBLY, PLEASE READ THE FOLLOWING TIPS AND WARNINGS.

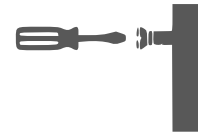
- Please read the assembly instructions thoroughly and follow step by step.



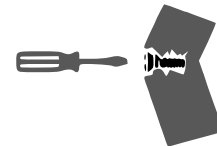
- Make sure you understand which hardware will be used on each step. Using the wrong size of screw, bolt or pin might strip the threads or cause damage to the part in which it is being used.



- To avoid misalignments, always leave the screws loosely and do not tighten them until all the pieces are positioned correctly.



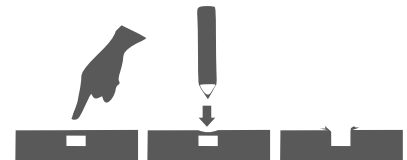
- Do not overtighten or force the screws as they might break, strip, damage the threads of the holes, or get stuck inside the parts.



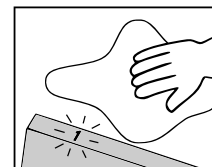
- If the hole seems too small for the screw, make sure you are using the correct size of screw and/or that you are installing it in the correct hole.



- Sometimes on the wood panels the laminate or material might be covering the hole partially or entirely, if there is no visible hole or if it looks too small, pass and press the tip of your finger over the area to feel its indentation, and carefully pierce the laminate to uncover the hole underneath.



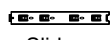
- After the item is assembled, you can use rubbing alcohol to erase or remove the visible part numbers printed or labeled on the pieces.



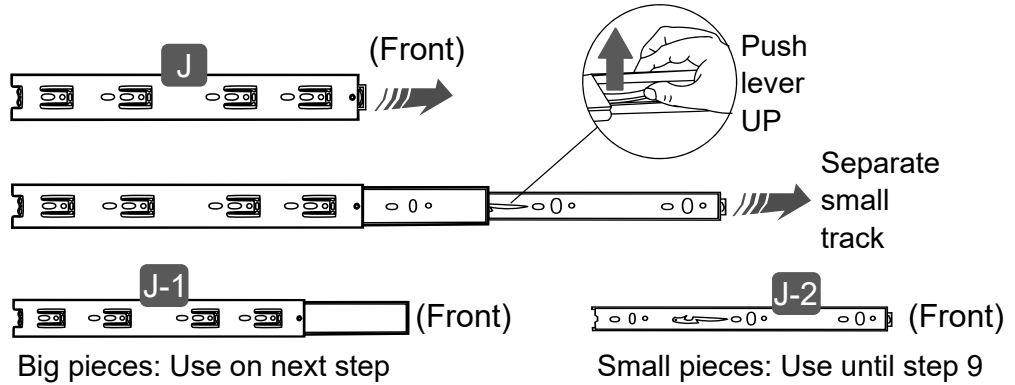
ASSEMBLY STEPS

STEP 1

Hardware

J		2
	Sliders	Pcs

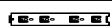
Grab and extend each of the sliders **J** towards your **RIGHT** and separate the small track from the rest by pressing **UP** firmly the locking lever, at the same time that you pull the small track out. The big pieces **J-1** will be used in the next step, while the small tracks **J-2** will be used until step **9**, so please set them aside.



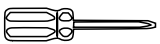
STEP 2

Hardware

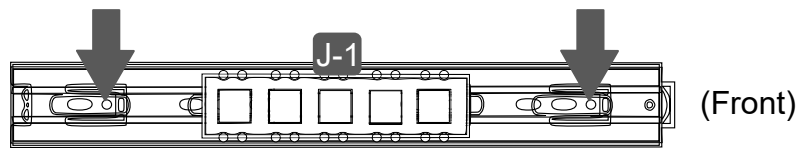
D		4
	M4x12	Pcs

J-1		2
	Big piece	Pcs

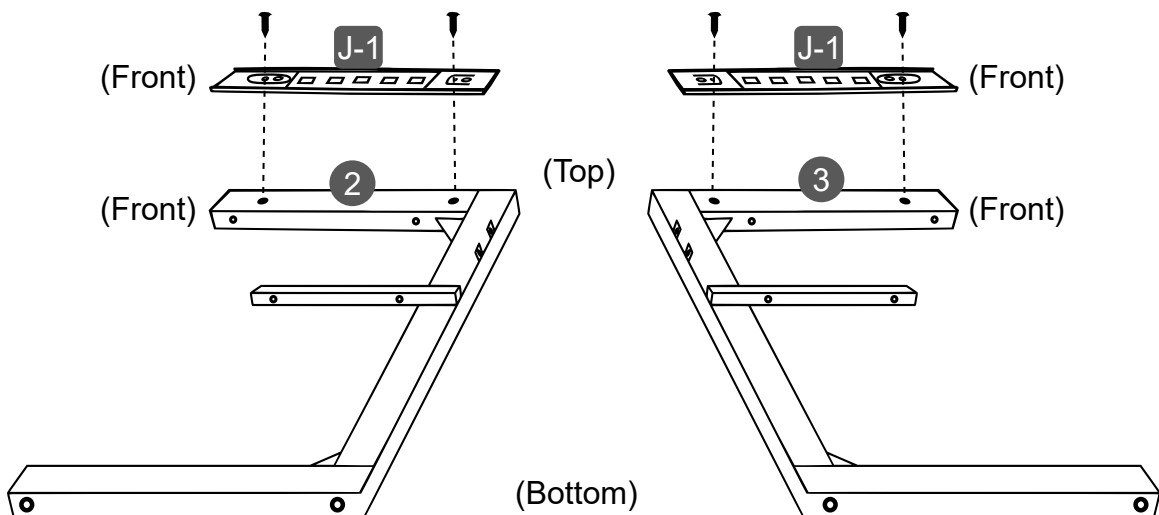
Tools (Not included)



On the big sliders **J-1** slide the piece with the ball bearing towards the middle to clear the opening for the front hole, then attach the sliders to the top bar on the left frame **2** and the right frame **3** with screws **D** using a screwdriver (not included).



Clear the front hole by moving away the piece with ball bearings




STEP 3

Hardware

H		2 Pcs
Non-locking		

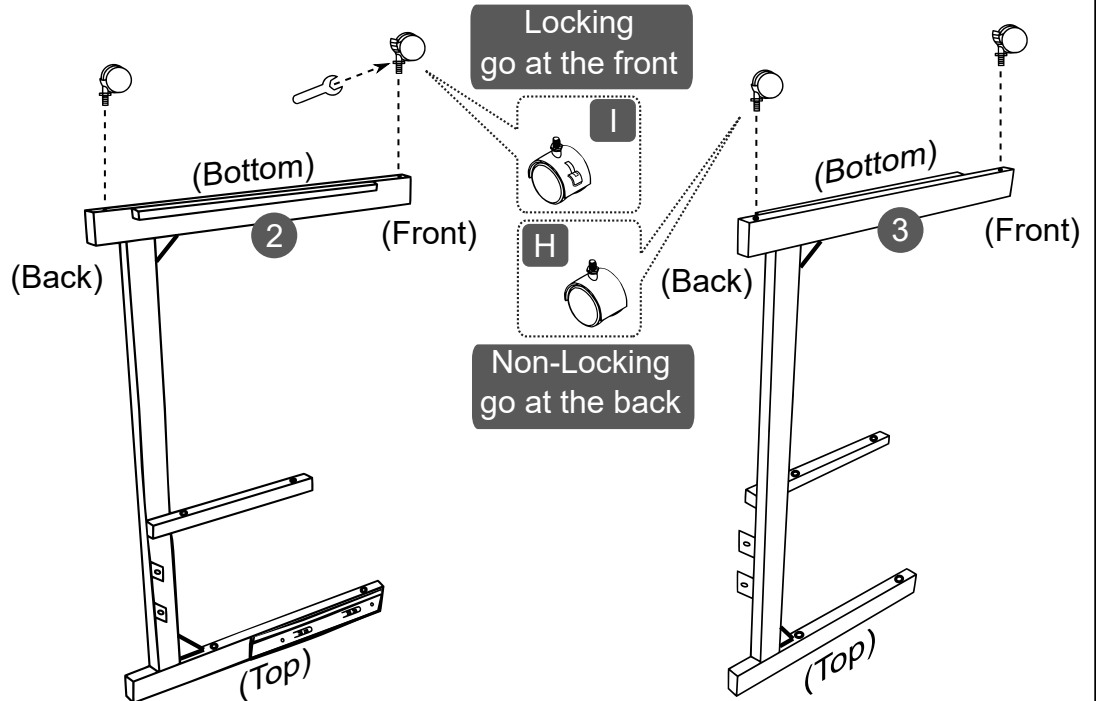
I		2 Pcs
Locking		

Tools (included)

M12	
------------	---

Attach the casters **H** and **I** to the bottom of the frames **2** and **3** using the wrench, and following this order:

- The Non-Locking casters **H** go at the back of the frame.
- The Locking casters **I** go at the front



STEP 4

Hardware

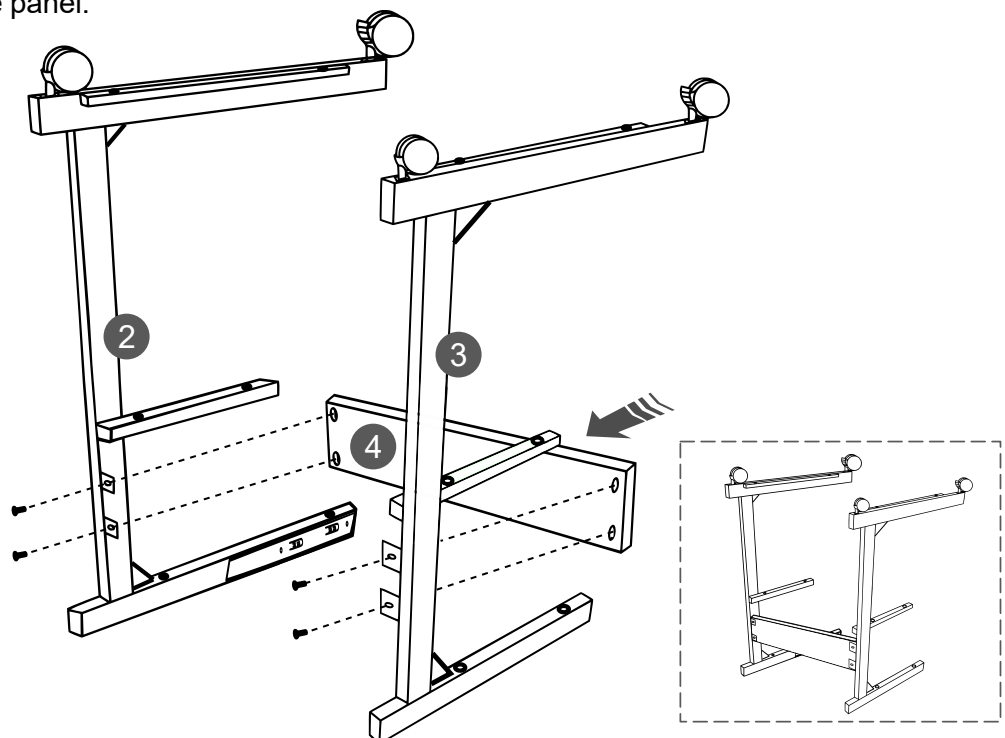
F		4 Pcs
M6x12		

Tools (included)

M4	
-----------	---

DO NOT TIGHTEN THE SCREWS,
leave them all loose to allow flexibility for the next steps.

Assemble the back panel **4** to the frames **2** and **3** with screws **F** but do not tighten yet. The screws go through the tabs on the frames and into the panel.

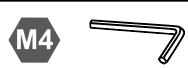


STEP 5

Hardware

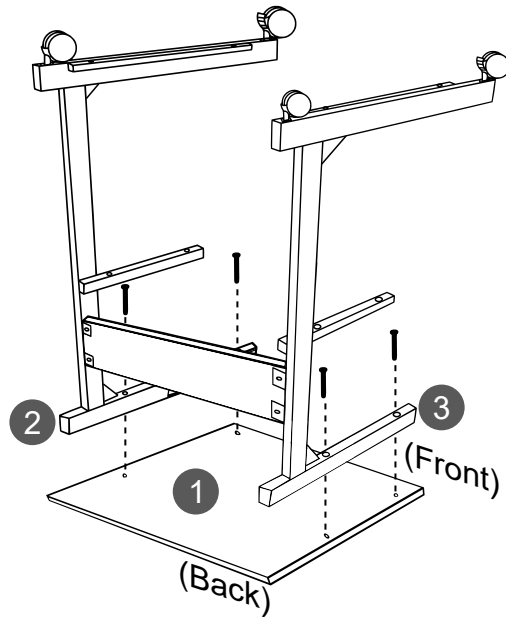
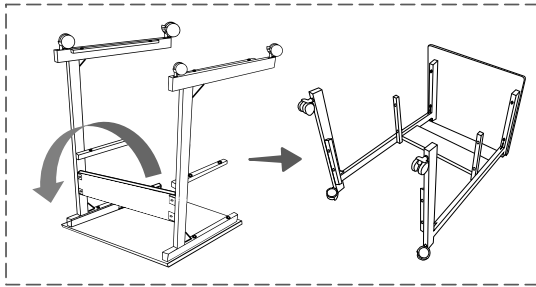
A		4
	M6x50	Pcs

Tools (included)



DO NOT TIGHTEN THE SCREWS,
leave them all loose to allow flexibility for the next steps.

- Place the tabletop **1** upside-down on the floor over a blanket to protect its surface, and place the frames **2** and **3** over it making the holes coincide, and secure with screws **A** but do not tighten yet.
- Turn the unit over its back side to have it ready for the next step.

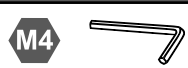


STEP 6

Hardware

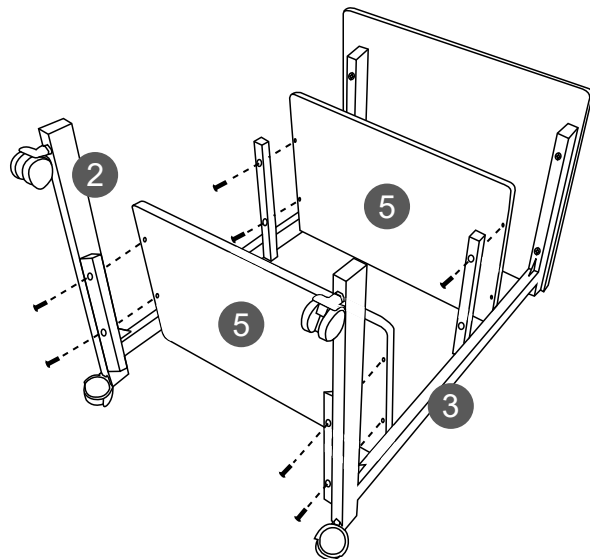
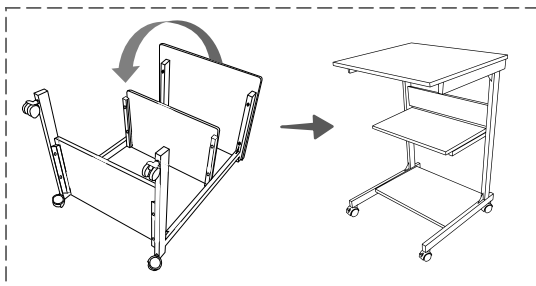
B		8
	M6x30	Pcs

Tools (included)




DO NOT TIGHTEN THE SCREWS
until this step is finished.

- Assemble the shelf panels **5** to the middle and bottom bars on the frames **2** and **3** with screws **B** from underneath as shown, but do not tighten any screws until finished with this step.
- Afterwards, you can proceed to **tighten all the screws** left loose from steps **4**, **5** and **6**, and turn the unit upright.

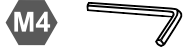


STEP 7

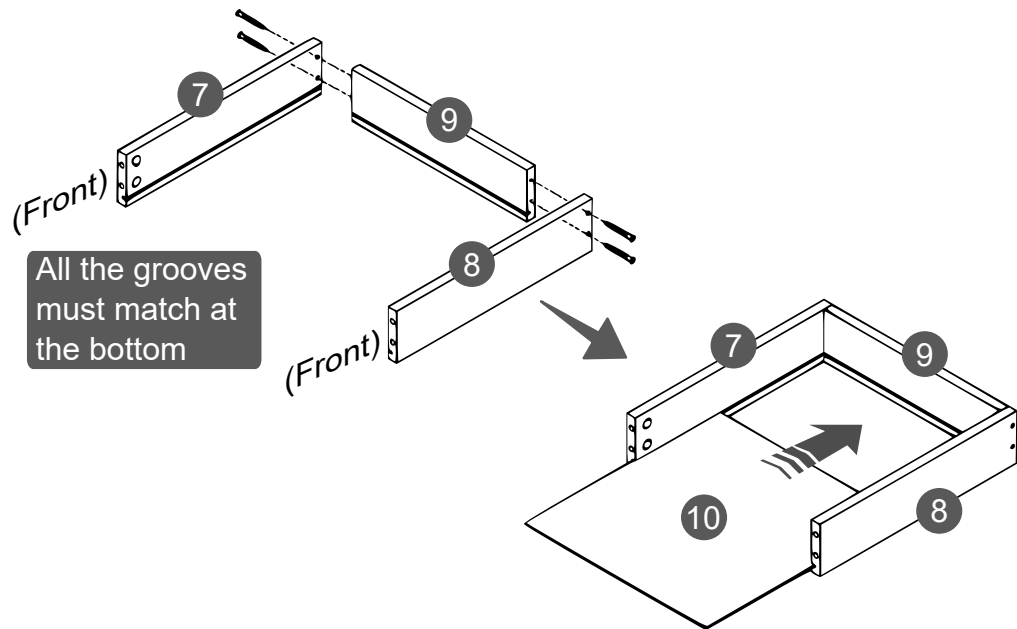
Hardware

E		4
	M4x35	Pcs

Tools (included)

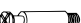


- Assemble the drawer side panels **7** and **8** to the drawer back panel **9** with screws **E** from the side.
- Slide the drawer bottom panel **10** through the grooves of the side panels **7** and **8**, and into the groove of panel **9**



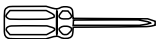
STEP 8

Hardware

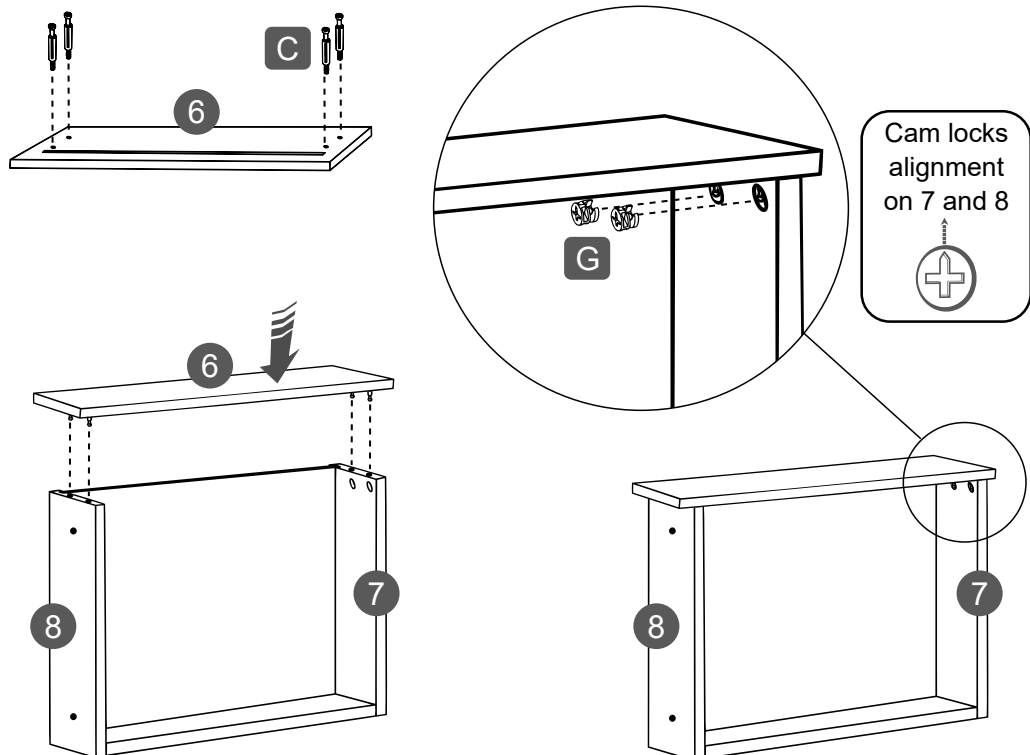
C		4
	Bolt	Pcs

G		4
	Cam lock	Pcs

Tools (NOT included)



- Attach the bolts **C** to the front panel **6**.
- Join panel **6** to panels **7** and **8**.
- Insert the cam locks **G** into panels **7** and **8** and turn them to lock all the 3 panels. Please pay attention to the cam lock alignment.

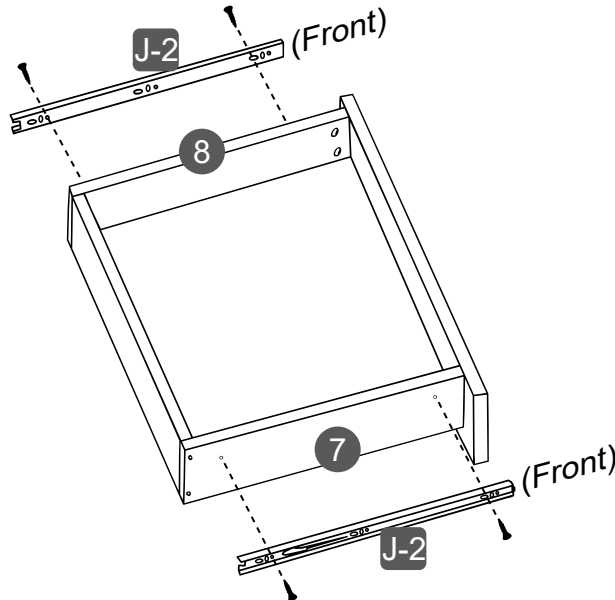
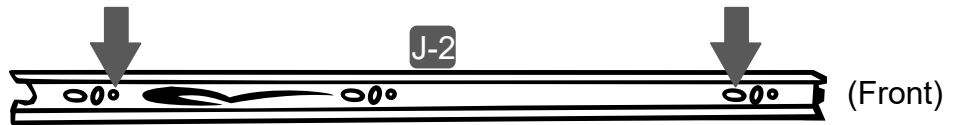


STEP 9**Hardware**

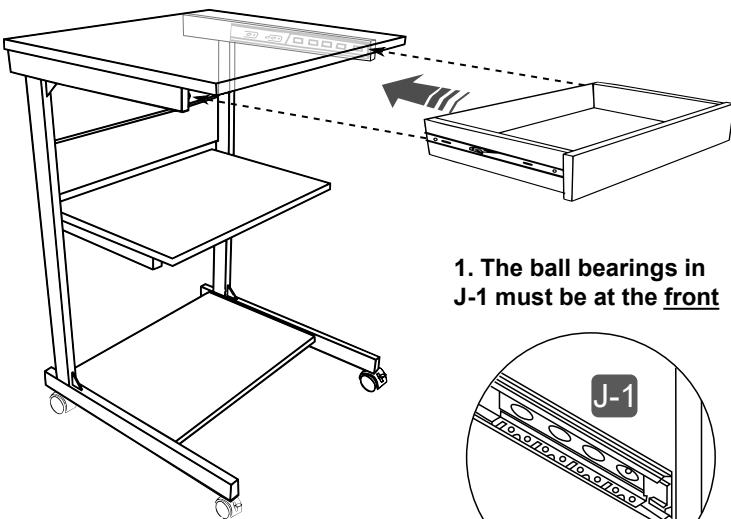
D		4
	M4x12	Pcs
J-2		2
	Small piece	Pcs

Tools (NOT included)

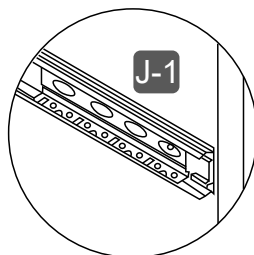
Attach the small sliders **J-2** to the side panels **7** and **8** with screws **D**

**STEP 10**

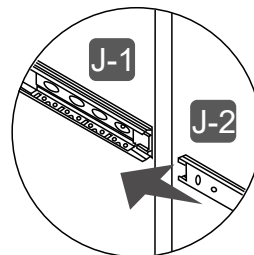
- On the frame first make sure that the piece with the ball bearing is all the way to the front.
- Insert the drawer making sure that simultaneously on both sides, the tracks **J-2** on the drawer go through the black plastic guides and the ball bearing pieces on the sliders **J-1**.
- Push in the drawer slowly into the unit.



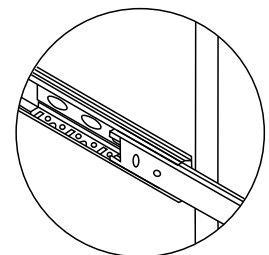
1. The ball bearings in **J-1** must be at the front

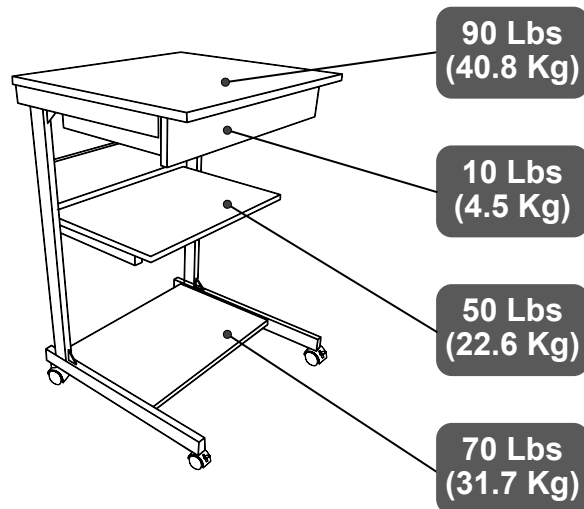


2. **J-2** goes through the plastic guide and the ball bearings on **J-1**



3. Push in very slowly.



WEIGHT LIMITS**WARNINGS**

- Do not exceed the indicated weight limits.
- Do not expose the surfaces to direct sunlight or to extreme environmental conditions.
- Do not use solvents or abrasive materials to clean the unit.
- Do not sit on the unit or lean against it.
- Do not allow small children to play with the unit.
- Before moving the unit, unlock the front casters and secure or remove any object that might fall off while the unit is rolling.
- The warranty does not extend to regular wear and tear, nor the manufacturer assumes liability for damages or consequences due to accidents, incorrect assembly, negligence, improper use, modifications, or not heeding the above warnings.

CARE AND MAINTENANCE

- Clean the surfaces preferable with a clean cloth damped in a solution of mild soap and water, then dry with a clean towel.
- If you decide to use a cleaning agent, test first on an area hidden from view such as underneath the tabletop.
- Every 4 months, inspect the unit completely and make sure that all screws are tighten.
- When transporting the unit to places far away, protect and secure the unit to avoid damage in transit.

TECHNI MOBILI WARRANTY

**DESKS/LAPTOP CARTS/FILE CABINETS: LIMITED 5-YEAR WARRANTY**

RTA Products, LLC warrants to the Original Purchaser who acquired a new product from RTA Products or its authorized resellers that this product will be free from defects in its workmanship and materials, under normal use and service conditions, as described herein. "Defects" as used in this warranty, is defined as any imperfections that impair the use of the furniture or product. RTA Products LLC will replace any defective part, at its discretion, and without charge to the original purchaser other than the freight from the end consumer to RTA Products.

Replacement parts can only be supplied if parts are available. Items out of production may be unavailable. This warranty will be effective for the applicable time period beginning the date of purchase on your original sales receipt. RTA product's obligation under this warranty is limited to repairing or replacing products or parts as provided herein. This product has been designed for and is intended for office and home-office use only. This warranty is Original Purchaser's sole remedy for product defects, and this warranty does not extend to any product, or damage to any product, caused by or attributed to abuse or misuse, products used for commercial or rental purposes, use modifications of, or attachments to the product, and products or parts not used, maintained, or extended hereunder is in lieu of any and all other warranties, express or implied, including without limitations any implied warranty or merchantability or of fitness for a particular purpose. Please note, all desks made with PVC Laminate surface should not be exposed to direct sunlight, as it may damage the material. Damage of this nature is not covered under this warranty.

RTA Products will not be responsible for indirect, special, incidental or consequential damages. This warranty is limited to merchandise purchased in the Continental United States, excludes AK, HI and PR. Some States do not allow the exclusion or limitation of incidental or consequential damages, so the above limitations or exclusions may not apply to you. This warranty gives you specific legal rights. You may also have other rights that may vary from state to state.

To file a Claim within the 48 contiguous United States:

Email us to warranty@rtaproducts.com to explain the defect and provide your name, address, phone number, model number of our product, date and place, and proof of purchase. Please provide pictures of the damage or defect. If we determine that a replacement will remedy the situation, and in order to determine the extent or the cause of the defect, purchaser may be requested to send the part in question at purchaser's expense. Once we receive the part, we will examine it and determine whether the claim is valid (or not), and then proceed to send the replacement. We will ship the replacement at our expense.

Replacement Parts for International Customers & AK-HI-PR orders:

RTA Products will replace the part free of charge, while **the customer is responsible for shipping costs plus any International local taxes or duties.**