

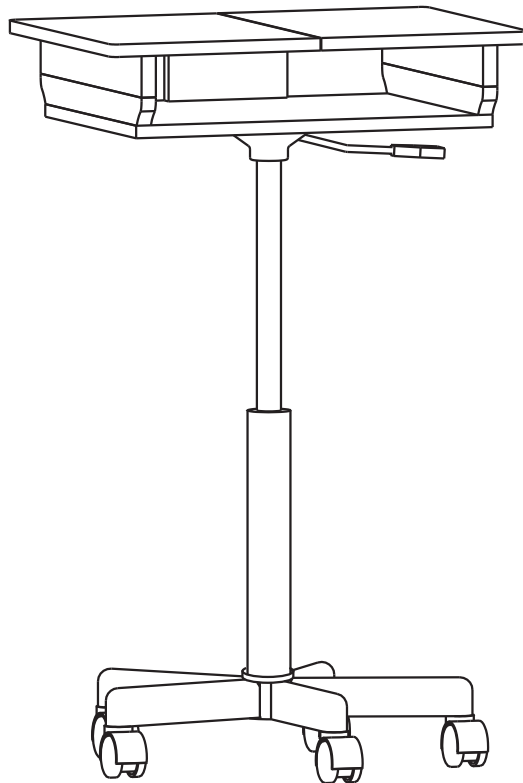
FOLDING TABLETOP LAPTOP CART

MODEL RTA-B006

ASSEMBLY INSTRUCTIONS

REV.OL-7284-0423

Thank you for purchasing our product



FRENCH



Scan QR to view the manual in French

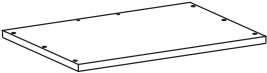
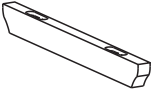


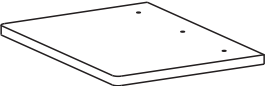
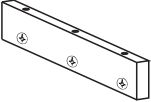







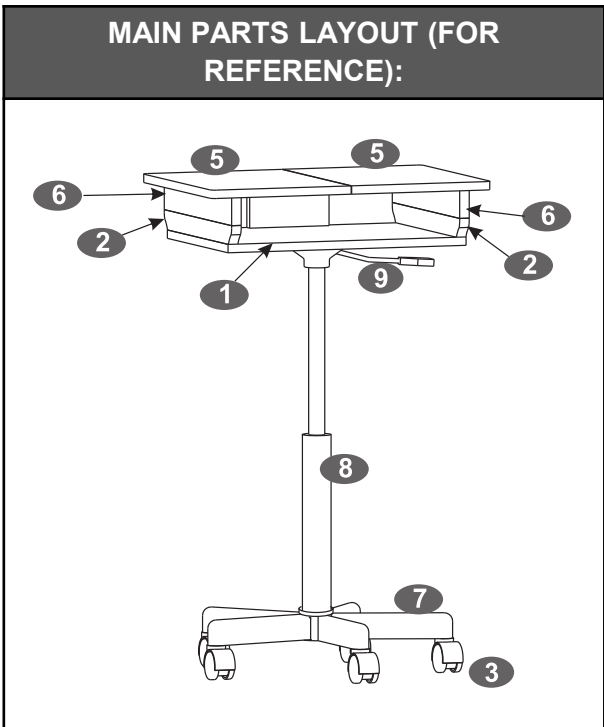
ARABIC



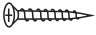




Scan QR to view the manual in Arabic

<p>Do a quick inventory of all the parts and hardware listed below.</p> 	<p>For Support, assembly questions & Replacement Parts within the 48 Contiguous United States:</p> <p>Please email us at: support@rtaproducts.com</p> 	<p>Replacement Parts for International Customers & AK-HI-PR orders: RTA Products will replace the part free of charge, while the customer is responsible for shipping costs plus any International local taxes or duties.</p>
---	---	---

MAIN PARTS LIST			
1 x1 Bottom panel 	2 x2 Lower side panel 	3 x5 Caster 	4 x1 Back panel 
5 x2 Top panel 	6 x2 Upper side panel 	7 x1 Metal star base  <div style="border: 1px solid black; padding: 2px; font-size: small;">NOTE: Piece 11 usually comes pre-installed in the middle of base 7.</div>	8 x1 Pneumatic lift cylinder 
9 x1 Mechanism 	10 x4 Hinge 	11 x1 Base center cover 	



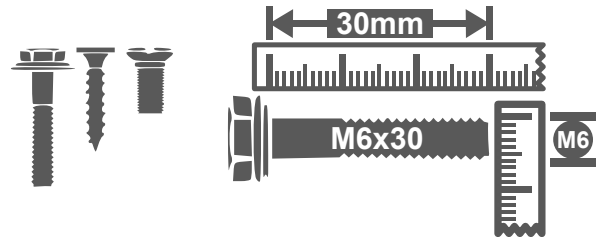
LIST OF CREWS AND INCLUDED TOOLS			
PART	QTY	ITEM	
A	8	M6x35	
B	6	M6x40 Bolt	
C	16	M3x20	
D	4	M6x12	
	1	Screwdriver	

BEFORE YOU START THE ASSEMBLY, PLEASE READ THE FOLLOWING TIPS AND WARNINGS.

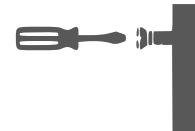
- Please read the assembly instructions thoroughly and follow step by step.



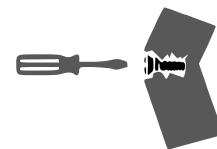
- Make sure you understand which hardware will be used on each step. Using the wrong size of screw, bolt or pin might strip the threads or cause damage to the part in which it is being used.



- To avoid misalignments, always leave the screws loosely and do not tighten them until all the pieces are positioned correctly.



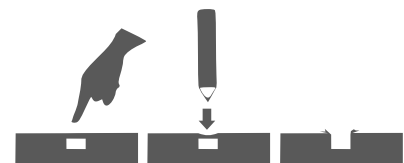
- Do not overtighten or force the screws as they might break, strip, damage the threads of the holes, or get stuck inside the parts.



- If the hole seems too small for the screw, make sure you are using the correct size of screw and/or that you are installing it in the correct hole.



- Sometimes on the wood panels the laminate or material might be covering the hole partially or entirely, if there is no visible hole or if it looks too small, pass and press the tip of your finger over the area to feel its indentation, and carefully pierce the laminate to uncover the hole underneath.



- After the item is assembled, you can use rubbing alcohol to erase or remove the visible part numbers printed or labeled on the pieces.



ASSEMBLY STEPS

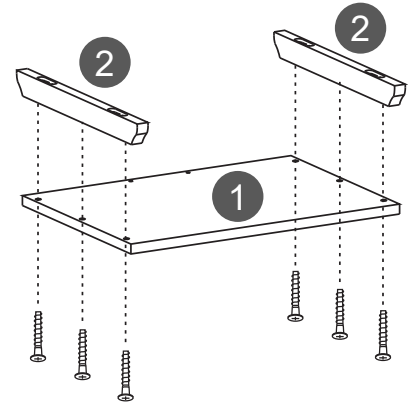
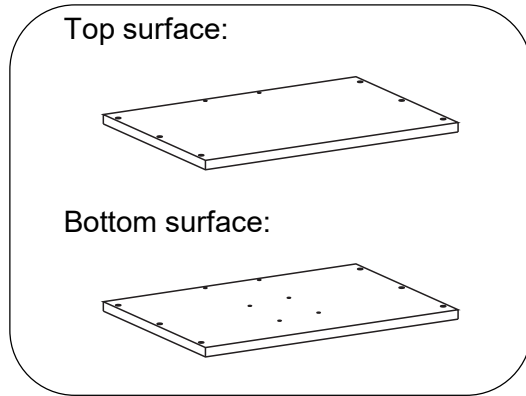
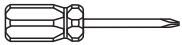
WE RECOMMEND TO PLACE THE PIECES OVER BLANKETS TO PROTECT THEIR FINISH DURING ASSEMBLY.

STEP 1

Assemble the lower panels to the top surface of the bottom panel 1 with screws **A** from underneath.

Hardware:


A		6
	M6x35	Pcs

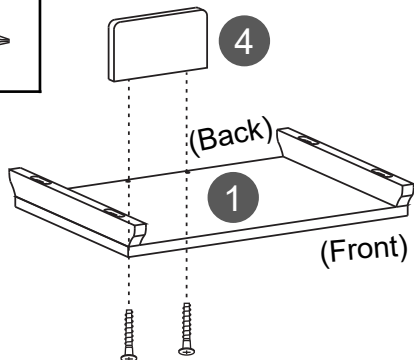


STEP 2

Assemble the back panel 4 to the bottom panel 1 with screws **A** from underneath.

Hardware:

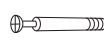
A		2
	M6x35	Pcs

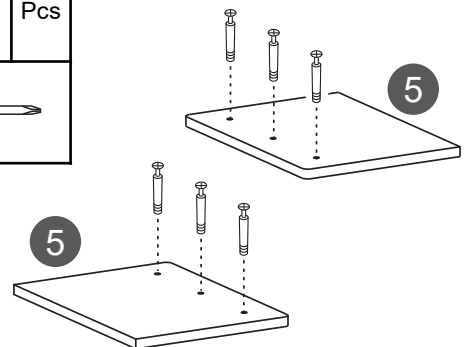
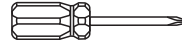


STEP 3

Attach the bolts **B** to the top panels 5.

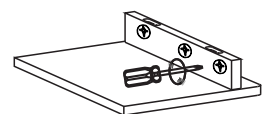
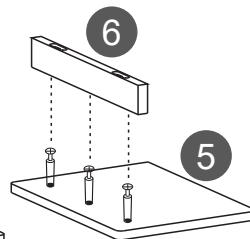
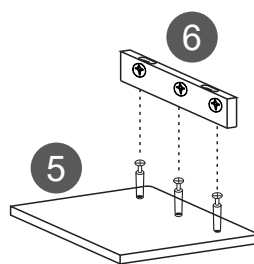
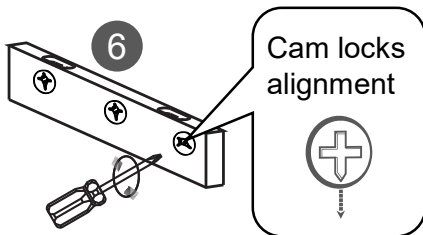
Hardware:

B		6
	M6x40 Bolt	Pcs



STEP 4

- On the upper side panels 6, check and make sure the cam locks are aligned to receive the bolts B from panels 5. If they are crooked, use the screwdriver to turn them and align them.
- Join panel 6 to panel 5 and then turn the cam locks to lock the parts.



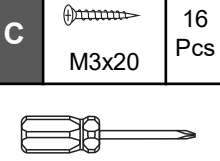
1. Align cam locks

2. Join panels

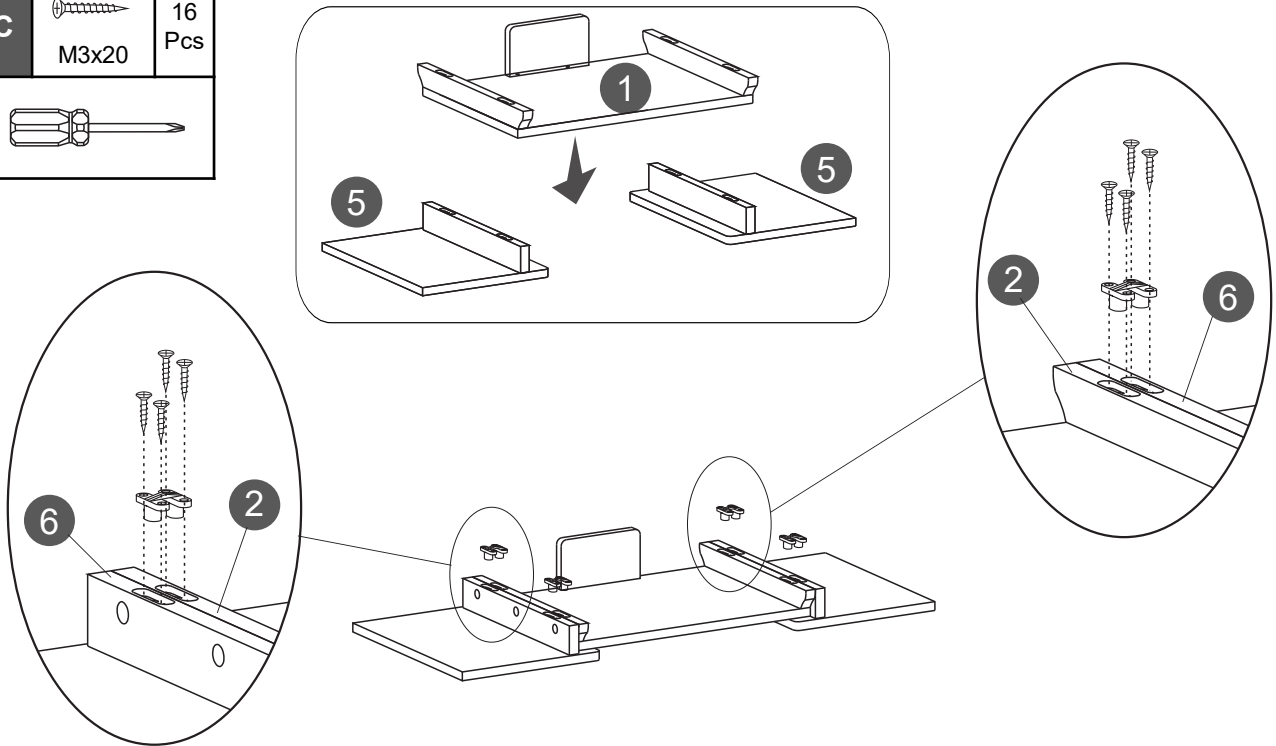
3. Turn cam locks

STEP 5

Hardware:

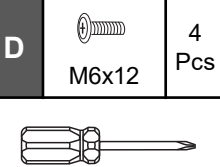


Place the side panels **2** and **6** side-by-side as shown in the illustration, then attach the hinges **10** to these panels with screws **C**.

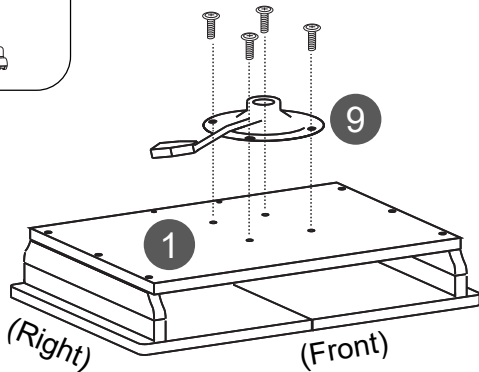
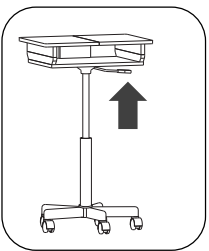


STEP 6

Hardware:

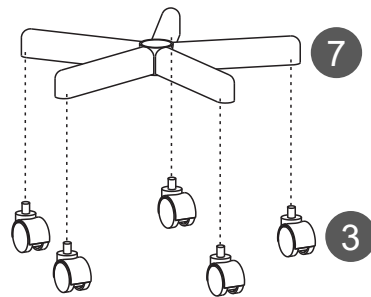


Place the tabletop upside-down and attach the mechanism **9** to the bottom panel **1** with screws **D** making sure the handle faces towards the **RIGHT** of the unit.



STEP 7

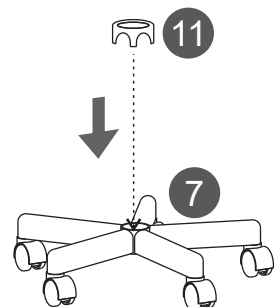
Insert the casters **3** into the holes of the base **7** using pressure.



STEP 8

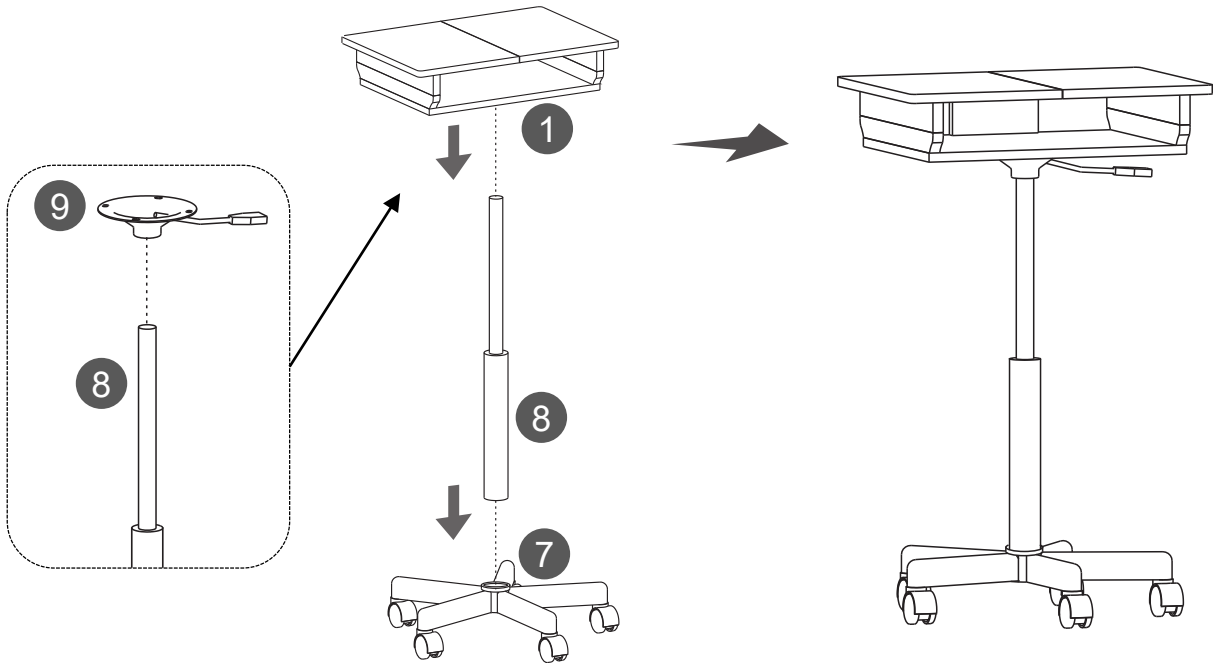
Attach the cap **11** to the middle of the base **7**.

NOTE: The cap **11** usually comes already inserted in the middle of the base **7**, you can skip this step if that is the case.



STEP 9

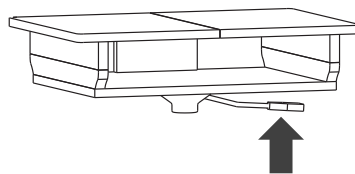
Insert the lift cylinder **8** in the middle of the base **7**, then place the tabletop so the lift cylinder **8** enter into hole of the mechanism **9**.



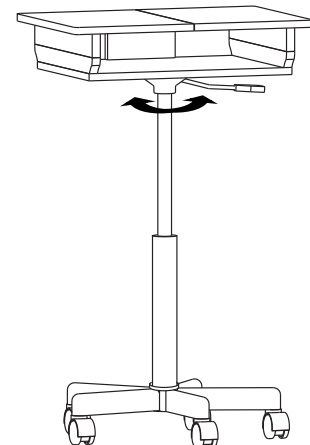
LIFT FUNCTION, NOTES

- The lift function on this unit is similar to that of office chairs. This means that just like a chair, the tabletop swivels (rotate) freely.
- To lift the unit just lift the handle UP. If it does not lift, keep the handle lifted and press down on the unit to help the cylinder decompress.
- To bring the unit down, lift the handle UP and at the same time apply force DOWN on the center of the tabletop

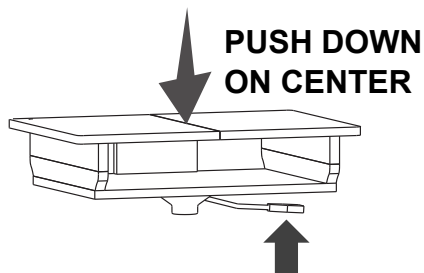
LIFT THE UNIT:
Lift handle UP

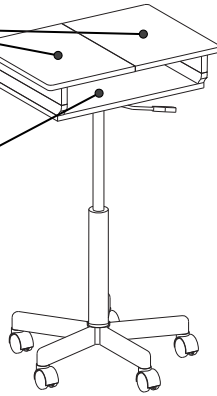
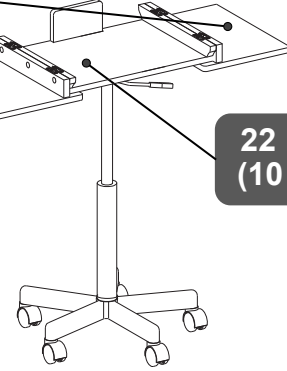


Tabletop rotates freely



LOWER THE UNIT:
Lift handle UP and at the same time push DOWN on the center of the tabletop with force.



WEIGHT LIMITS**(CLOSED)****11 Lbs
(5.5 Kg)****22 Lbs
(10 Kg)****(OPEN)****5.5 Lbs
(2.5 Kg)****22 Lbs
(10 Kg)****WARNINGS**

- Do not exceed the indicated weight limits.
- Do not expose the surfaces to direct sunlight or to extreme environmental conditions.
- Do not use solvents or abrasive materials to clean the unit.
- Do not lean against the unit or use it as a stool or ladder.
- Do not allow small children to play with the unit.
- Always use good judgement when using the product and avoid sudden spins that might make objects or devices fall off the unit.
- Do not use if you notice that the hinges have become loose.
- The warranty does not extend to regular wear and tear, nor the manufacturer assumes liability for damages or consequences due to accidents, incorrect assembly, negligence, improper use, modifications, or not heeding the above warnings.

CARE AND MAINTENANCE

- Clean the surfaces preferable with a clean cloth damped in a solution of mild soap and water, then dry with a clean towel.
- If you decide to use a cleaning agent, test first on an area hidden from view such as underneath the tabletop.
- Every 4 months, inspect the unit completely and make sure that all screws are tighten.
- When transporting the unit to places far away, lower the unit to the lowest point or disassemble it partially, and protect and secure the unit to avoid damage in transit.

TECHNI MOBILI WARRANTY

**DESKS/LAPTOP CARTS/FILE CABINETS: LIMITED 5-YEAR WARRANTY**

RTA Products, LLC warrants to the Original Purchaser who acquired a new product from RTA Products or its authorized resellers that this product will be free from defects in its workmanship and materials, under normal use and service conditions, as described herein. "Defects" as used in this warranty, is defined as any imperfections that impair the use of the furniture or product. RTA Products LLC will replace any defective part, at its discretion, and without charge to the original purchaser other than the freight from the end consumer to RTA Products.

Replacement parts can only be supplied if parts are available. Items out of production may be unavailable. This warranty will be effective for the applicable time period beginning the date of purchase on your original sales receipt. RTA product's obligation under this warranty is limited to repairing or replacing products or parts as provided herein. This product has been designed for and is intended for office and home-office use only. This warranty is Original Purchaser's sole remedy for product defects, and this warranty does not extend to any product, or damage to any product, caused by or attributed to abuse or misuse, products used for commercial or rental purposes, use modifications of, or attachments to the product, and products or parts not used, maintained, or extended hereunder is in lieu of any and all other warranties, express or implied, including without limitations any implied warranty or merchantability or of fitness for a particular purpose. Please note, all desks made with PVC Laminate surface should not be exposed to direct sunlight, as it may damage the material. Damage of this nature is not covered under this warranty.

RTA Products will not be responsible for indirect, special, incidental or consequential damages. This warranty is limited to merchandise purchased in the Continental United States, excludes AK, HI and PR. Some States do not allow the exclusion or limitation of incidental or consequential damages, so the above limitations or exclusions may not apply to you. This warranty gives you specific legal rights. You may also have other rights that may vary from state to state.

To file a Claim within the 48 contiguous United States:

Email us to warranty@rtaproducts.com to explain the defect and provide your name, address, phone number, model number of our product, date and place, and proof of purchase. Please provide pictures of the damage or defect. If we determine that a replacement will remedy the situation, and in order to determine the extent or the cause of the defect, purchaser may be requested to send the part in question at purchaser's expense. Once we receive the part, we will examine it and determine whether the claim is valid (or not), and then proceed to send the replacement. We will ship the replacement at our expense.

Replacement Parts for International Customers & AK-HI-PR orders:

RTA Products will replace the part free of charge, while **the customer is responsible for shipping costs plus any International local taxes or duties.**