

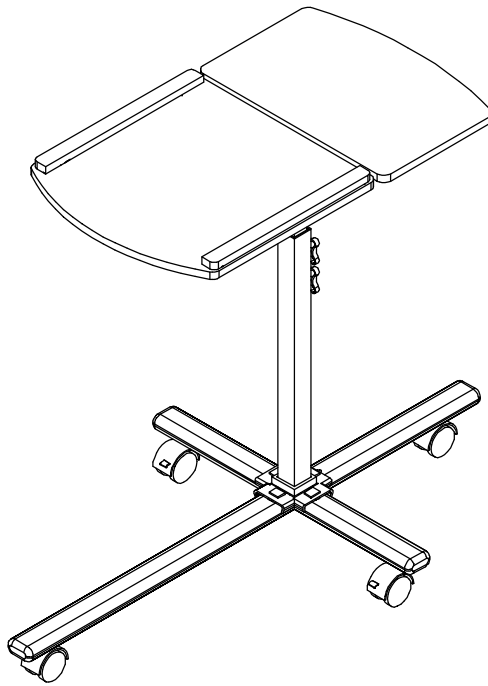
ROLLING ADJUSTABLE LAPTOP CART

MODEL RTA-B003

ASSEMBLY INSTRUCTIONS

REV.SA-7283-0423

Thank you for purchasing our product



FRENCH





Scan QR to view the manual in French



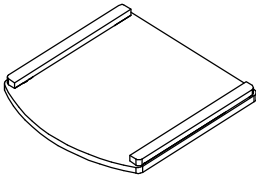
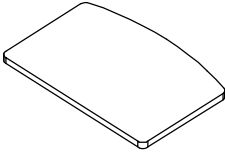
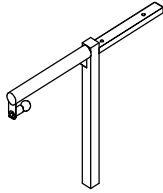
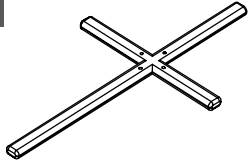

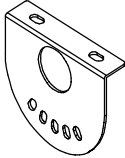
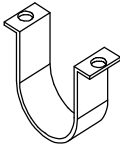
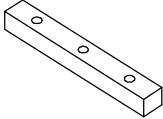
ARABIC







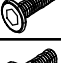
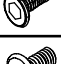



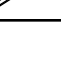


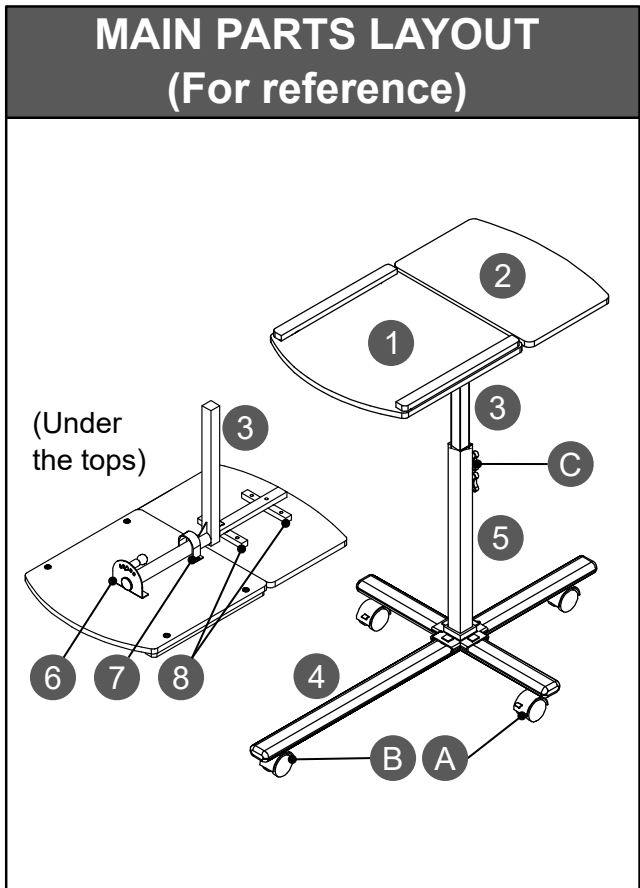
Scan QR to view the manual in Arabic

<p>Do a quick inventory of all the parts and hardware listed below.</p> 	<p>Support & Replacement Parts for the 48 contiguous United States:</p>  <p>Please email us at: support@rtaproducts.com</p>	<p>Replacement Parts for International Customers & AK-HI-PR orders: RTA Products will replace the part free of charge, while the customer is responsible for shipping costs plus any International local taxes or duties.</p>
---	---	---

MAIN PARTS LIST

1 Large panel x1 	2 Small panel x1 	3 Top "T" frame x1 	4 Bottom cross frame x1 
5 Middle tube x1 	6 Tilt plate x1 	7 "U" support bracket x1 	8 Support for small panel x2 

HARDWARE LIST AND INCLUDED TOOLS			
PART	QTY	ITEM	
A	2	Locking Caster	
B	2	Non-Locking Caster	
C	2	Height adjusting knob	
D	1	Bottom frame cover	
E	1	Screw-in end cap	
F	2	M6x35	
G	4	M6x30	
H	4	M6x23	
I	4	M6x10	
J	6	M6 Nut	
	1	Hex wrench (Spanner)	
	1	Allen wrench	

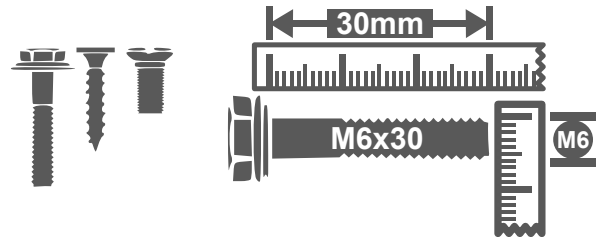


BEFORE YOU START THE ASSEMBLY, PLEASE READ THE FOLLOWING TIPS AND WARNINGS.

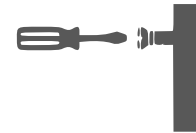
- Please read the assembly instructions thoroughly and follow step by step.



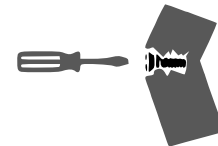
- Make sure you understand which hardware will be used on each step. Using the wrong size of screw, bolt or pin might strip the threads or cause damage to the part in which it is being used.



- To avoid misalignments, always leave the screws loosely and do not tighten them until all the pieces are positioned correctly.



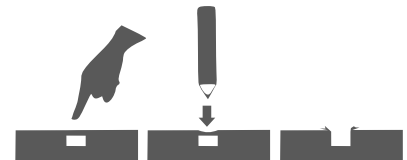
- Do not overtighten or force the screws as they might break, strip, damage the threads of the holes, or get stuck inside the parts.



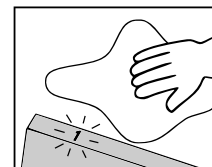
- If the hole seems too small for the screw, make sure you are using the correct size of screw and/or that you are installing it in the correct hole.



- Sometimes on the wood panels the laminate or material might be covering the hole partially or entirely, if there is no visible hole or if it looks too small, pass and press the tip of your finger over the area to feel its indentation, and carefully pierce the laminate to uncover the hole underneath.



- After the item is assembled, you can use rubbing alcohol to erase or remove the visible part numbers printed or labeled on the pieces.



ASSEMBLY STEPS

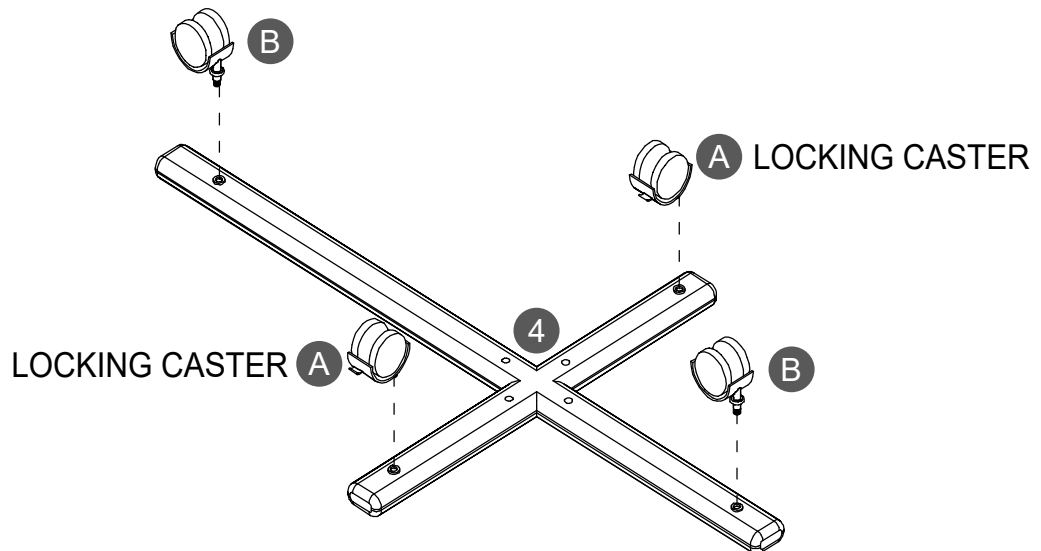
STEP 1

Insert casters **A** and **B** into bottom frame **4**. Please note location of the locking casters **A**.

Hardware/Tools:

A		2 Pcs
----------	---	-------

B		2 Pcs
----------	---	-------



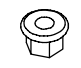
STEP 2

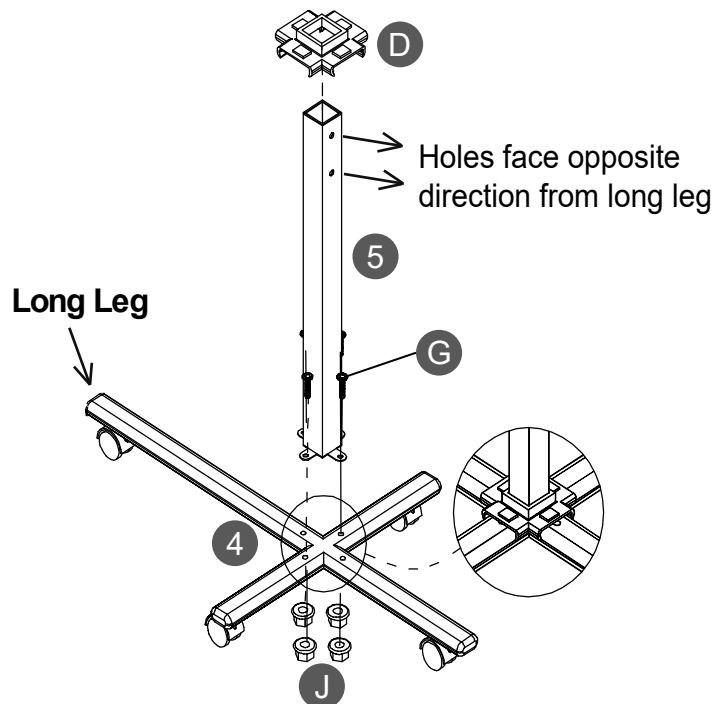
Assemble the middle frame **5** to the bottom frame **4** with screws **G** from above and nuts **J** from below, making sure the holes for the height adjustment knobs face to the opposite direction from the long leg. Then insert the cover **D** and slide it all the way down the frame **5** to cover the screws on the bottom frame.

Hardware/Tools:

D		1 Pc
----------	---	------

G	 M6x30	4 Pcs
----------	--	-------

J		4 Pcs
----------	---	-------

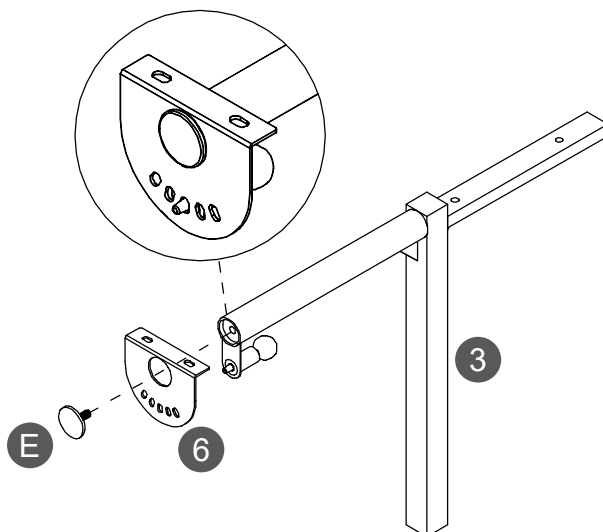


STEP 3

Attach the tilt plate **6** to the round tube on the top frame **3** with **E**.

Hardware/Tools:

E

1
Pc

STEP 4

Assemble the supports **8** to the square tube on frame **3** with screws **F** from above and nuts **J** from below. Please note that the supports go with their indented holes facing UP to accommodate the screw heads.

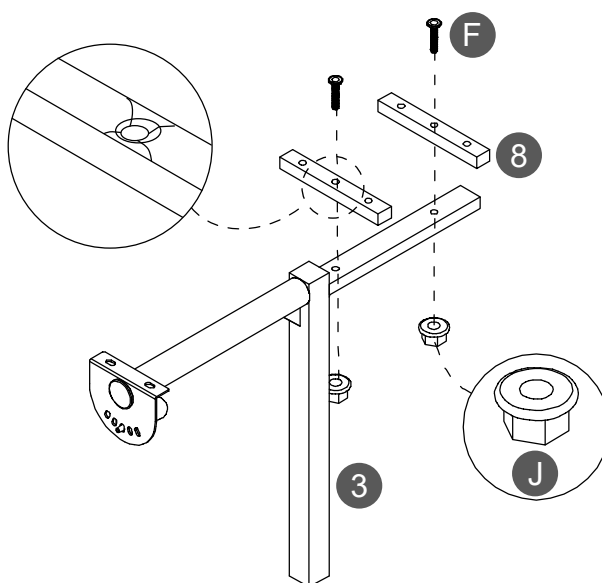
Hardware/Tools:

F

2
Pcs

M6x35

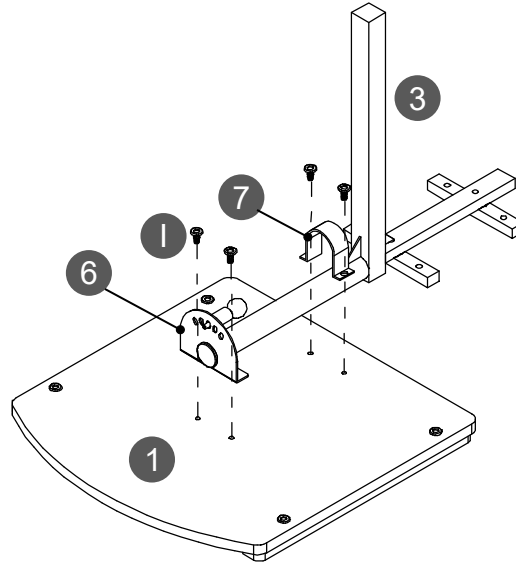
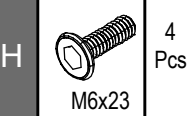
J

2
Pcs

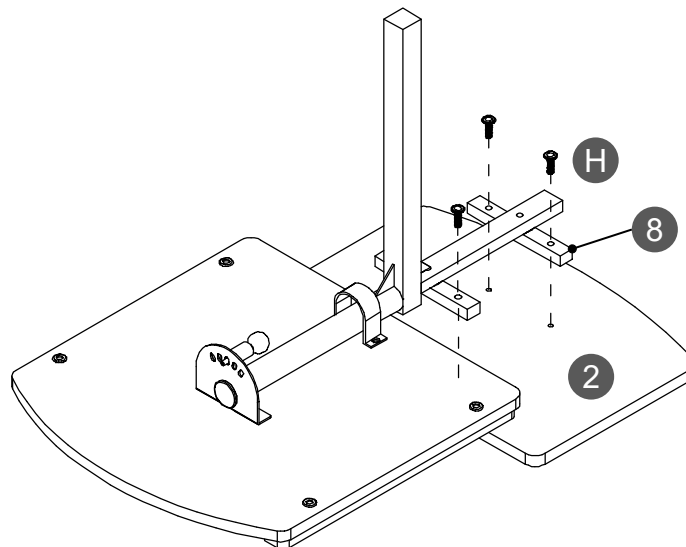
WE RECOMMEND TO PLACE THE PIECES OVER BLANKETS TO PROTECT THEIR FINISH DURING ASSEMBLY.

STEP 5**Hardware/Tools:**

With the main panel **1** upside-down, place the completed top frame on it, making the holes on the tilt plate coincide with the set of holes in the center of the panel, then secure the tilt plate **6** and the support **7** with screws **I** as shown.

**STEP 6****Hardware/Tools:**

Assemble the supports **8** from the top frame to panel **2** with screws **H**.



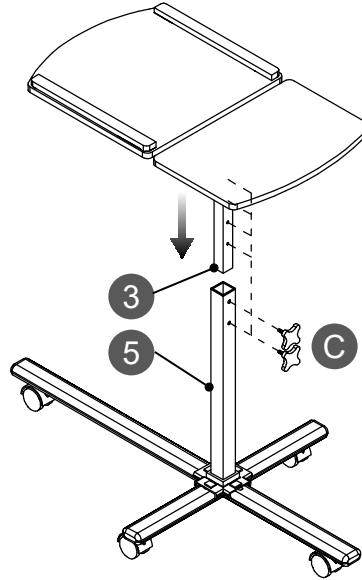
STEP 7

Hardware/Tools:

C

2
Pcs

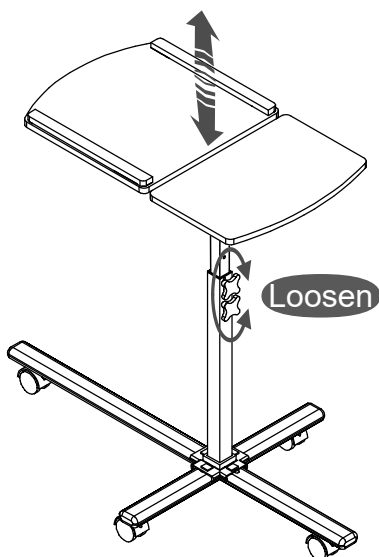
Insert the top frame **3** into the middle tube **5**, and select a desired height, making the 2 of the holes from **3** match the 2 holes on **5**, then insert the screw knobs **C** to leave the unit at that height.



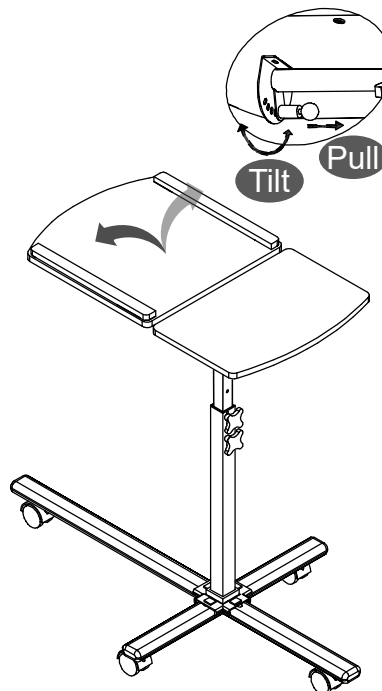
FUNCTION, NOTES

ADJUST HEIGHT:

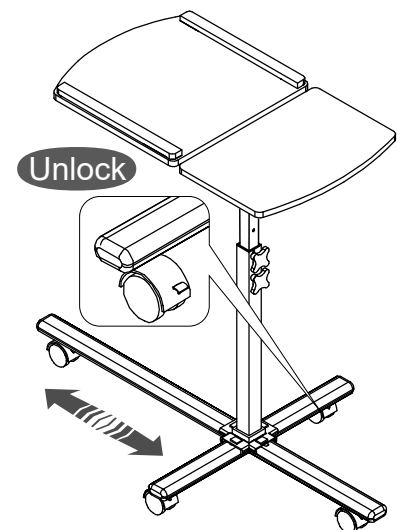
Loosen the screw knobs, lift or lower the tops, then tighten again.

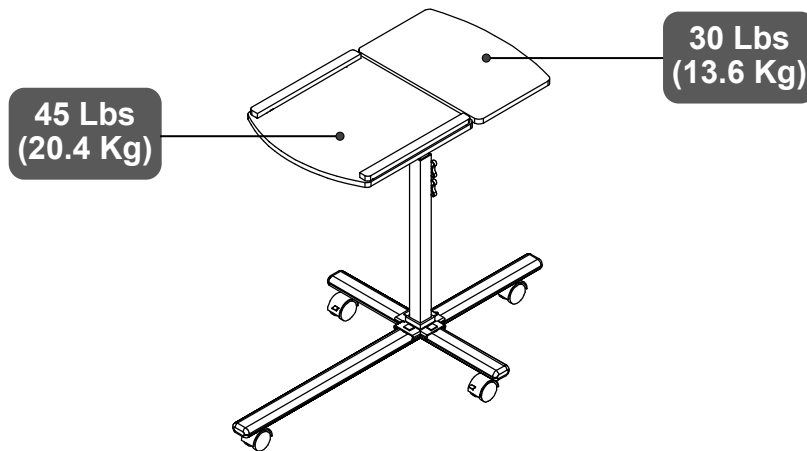
**TILTING:**

Pull out the ball knob located under the large panel, carefully adjust to the desired angle, and release the knob.

**ROLLING:**

Unlock the locking casters to allow mobility.



WEIGHT LIMITS**WARNINGS**

- Do not exceed the indicated weight limits.
- Do not expose the surfaces to direct sunlight or to extreme environmental conditions.
- Do not use solvents or abrasive materials to clean the unit.
- Do not lean against the unit.
- Do not allow small children to play with the unit.
- Before moving the unit, unlock the locking casters and secure or remove any object that might fall off while the unit is rolling.
- It is highly recommended to remove any objects or devices from the unit when adjusting the height or the tilting of the unit.
- Please use good judgement when placing objects or devices on the large panel when it is tilted at an angle; even though it has protection rails on both sides, the size or shape of objects might still cause them to slip or tip-over.
- The warranty does not extend to regular wear and tear, nor the manufacturer assumes liability for damages or consequences due to accidents, incorrect assembly, negligence, improper use, modifications, or not heeding the above warnings.

CARE AND MAINTENANCE

- Clean the surfaces preferable with a clean cloth damped in a solution of mild soap and water, then dry with a clean towel.
- If you decide to use a cleaning agent, test first on an area hidden from view such as underneath the tabletop.
- Every 4 months, inspect the unit completely and make sure that all screws are tighten.
- When transporting the unit to places far away, protect and secure the unit to avoid damage in transit.

TECHNI MOBILI WARRANTY**DESKS/LAPTOP CARTS/FILE CABINETS: LIMITED 5-YEAR WARRANTY**

RTA Products, LLC warrants to the Original Purchaser who acquired a new product from RTA Products or its authorized resellers that this product will be free from defects in its workmanship and materials, under normal use and service conditions, as described herein. "Defects" as used in this warranty, is defined as any imperfections that impair the use of the furniture or product. RTA Products LLC will replace any defective part, at its discretion, and without charge to the original purchaser other than the freight from the end consumer to RTA Products.

Replacement parts can only be supplied if parts are available. Items out of production may be unavailable. This warranty will be effective for the applicable time period beginning the date of purchase on your original sales receipt. RTA product's obligation under this warranty is limited to repairing or replacing products or parts as provided herein. This product has been designed for and is intended for office and home-office use only. This warranty is Original Purchaser's sole remedy for product defects, and this warranty does not extend to any product, or damage to any product, caused by or attributed to abuse or misuse, products used for commercial or rental purposes, use modifications of, or attachments to the product, and products or parts not used, maintained, or extended hereunder is in lieu of any and all other warranties, express or implied, including without limitations any implied warranty or merchantability or of fitness for a particular purpose. Please note, all desks made with PVC Laminate surface should not be exposed to direct sunlight, as it may damage the material. Damage of this nature is not covered under this warranty.

RTA Products will not be responsible for indirect, special, incidental or consequential damages. This warranty is limited to merchandise purchased in the Continental United States, excludes AK, HI and PR. Some States do not allow the exclusion or limitation of incidental or consequential damages, so the above limitations or exclusions may not apply to you. This warranty gives you specific legal rights. You may also have other rights that may vary from state to state.

To file a Claim within the 48 contiguous United States:

Email us to warranty@rtaproducts.com to explain the defect and provide your name, address, phone number, model number of our product, date and place, and proof of purchase. Please provide pictures of the damage or defect. If we determine that a replacement will remedy the situation, and in order to determine the extent or the cause of the defect, purchaser may be requested to send the part in question at purchaser's expense. Once we receive the part, we will examine it and determine whether the claim is valid (or not), and then proceed to send the replacement. We will ship the replacement at our expense.

Replacement Parts for International Customers & AK-HI-PR orders:

RTA Products will replace the part free of charge, while **the customer is responsible for shipping costs plus any International local taxes or duties.**