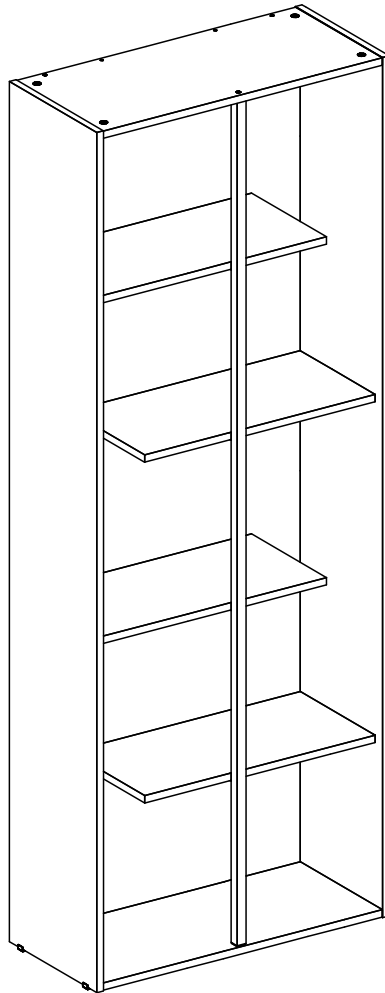


MODEL RTA-987BC

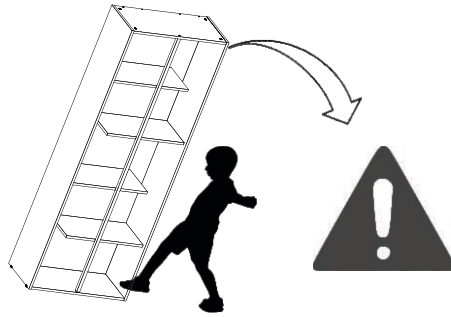
ASSEMBLY INSTRUCTIONS

Thank you for purchasing our product.



REV.CAR-6643-0622





- Please read throughly the warning about the danger of tip-over in page **13** of the assembly instructions.



- Please read carefully the assembly instructions before the installation.



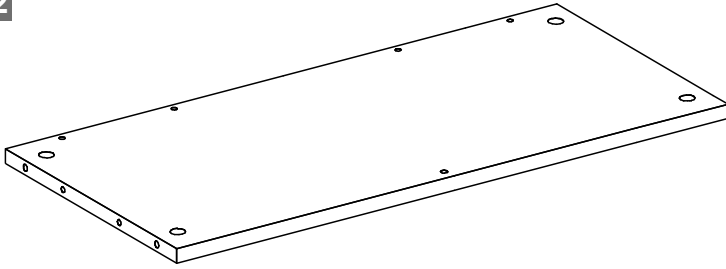
- Do not discard this manual or any of the packaging material until the unit has been completely assembled.



- Might require two people.

MAIN PARTS LIST

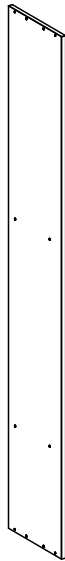
1
x2
Base-Top



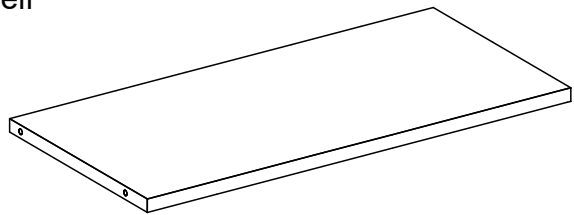
2
x1
Back panel



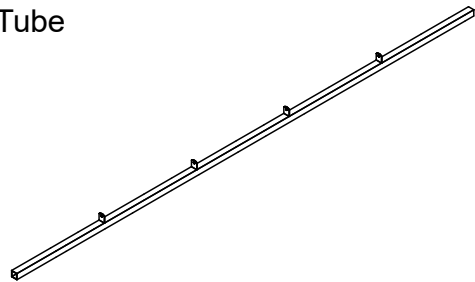
3
x2
Side panel



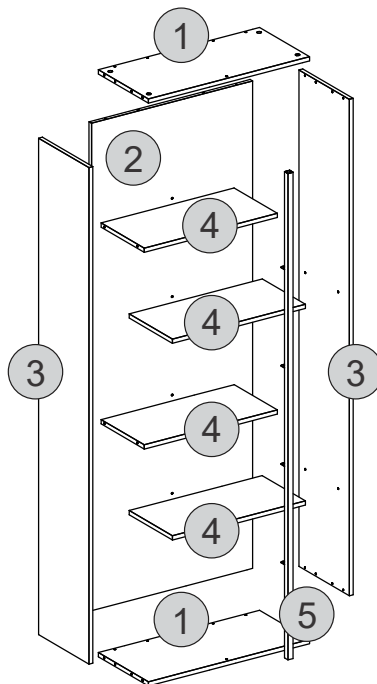
4
x4
Shelf



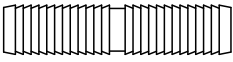
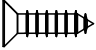
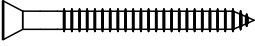
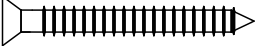
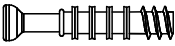

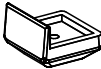


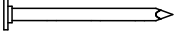
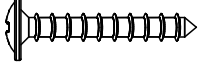



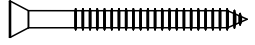

5
x1
Front Tube



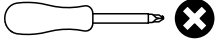
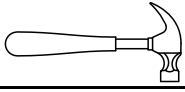
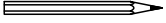

MAIN PARTS LAYOUT (FOR REFERENCE)



LIST OF INCLUDED HARDWARE

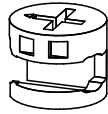
PART	QTY	ITEM	
A	20	6.3x30	
B	14	4x14	
C	8	4x50	
D	1	6x50	
E	8	5x30	
F	8	15x11	
G	4	Plastic Shoe	
H	16	Hole Covers	
I	2	20 x 20 End Caps	
J	4	11x11	
K	1	3,5x30	
L	4	Washer	
M	2	Strap	
N	2	6x35	
O	2	4,5x60	
P	4	Angle Bracket	

TOOLS YOU WILL NEED (NOT INCLUDED)

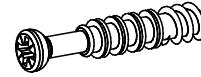
Phillips Screwdriver	
Hammer	
Pencil	
Power Driller	 Drill Ø6mm

This unit uses cam bolts and locks. The following explains how to use them. This is not an assembly step; it is a guide for when you are actually doing the assembly using this kind of hardware.

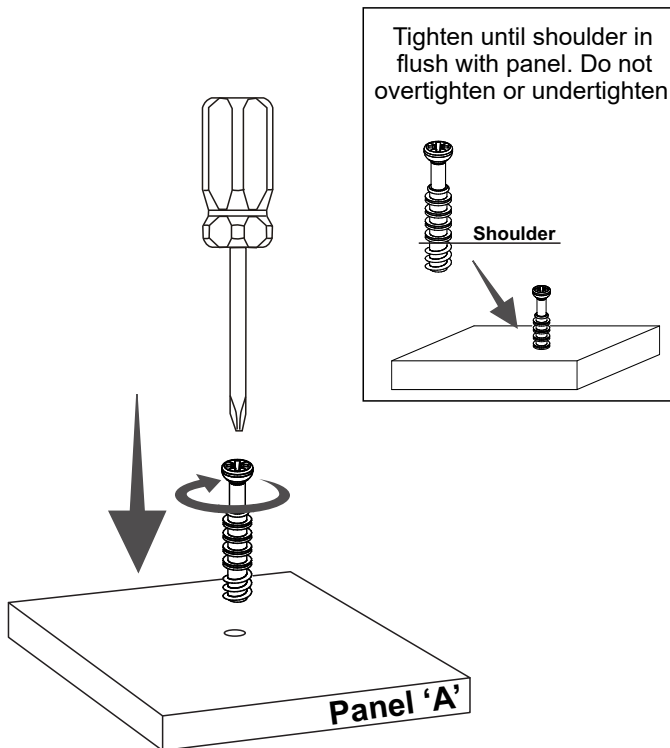
Cam lock



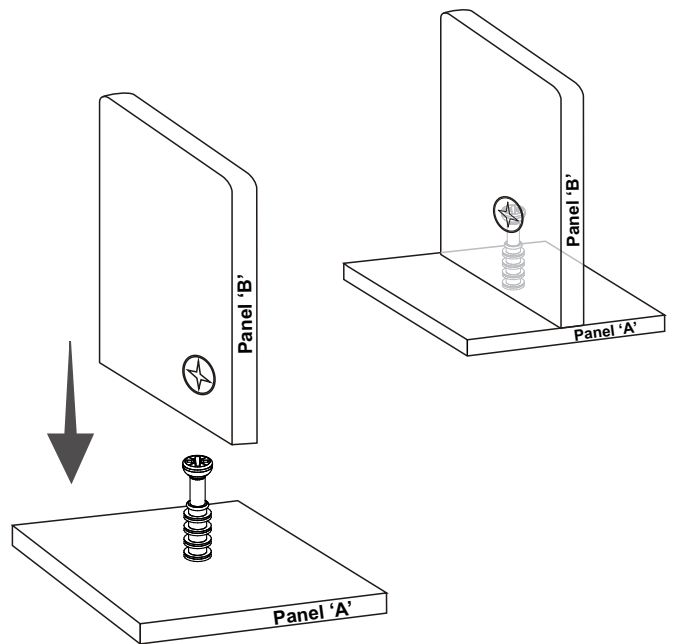
Cam bolt



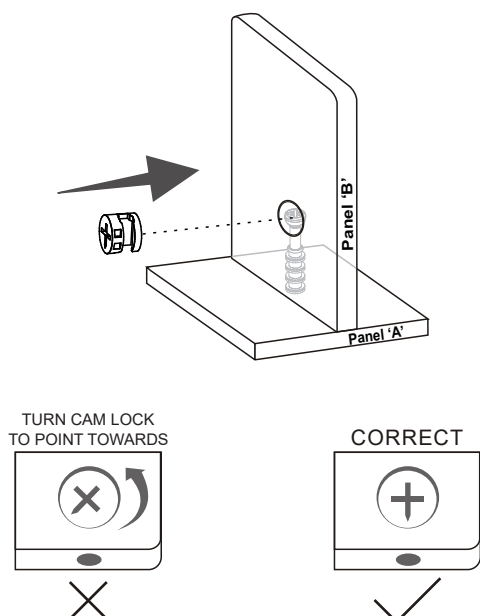
1. Screw the bolt into the corresponding hole on panel "A".



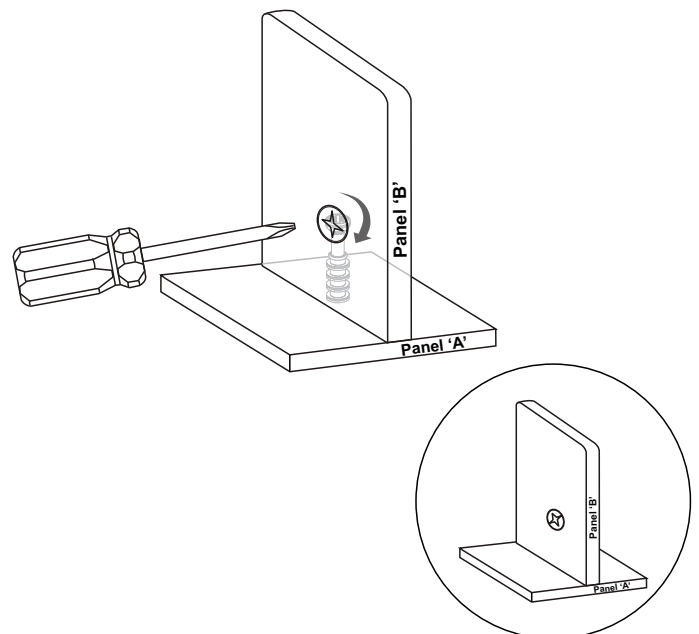
2. Join panel "B" to panel "A". If panel "B" comes with the cam lock pre-installed, make sure it is aligned to receive the bolt's head (refer to point 3). There might be a very small gap between the panels which is normal.



3. Insert the cam lock on panel "B" making sure it goes aligned to receive the bolt's head.

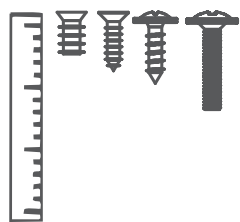
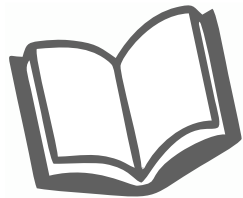
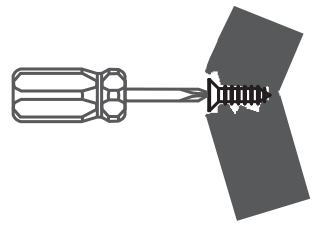
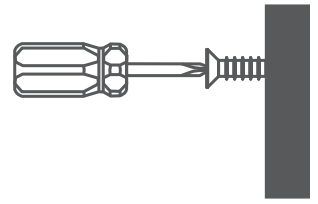


4. Turn the cam lock clockwise. This will lock the parts together and will close any gaps.



BEFORE YOU START THE ASSEMBLY, PLEASE READ THE FOLLOWING TIPS AND WARNINGS.

<p>Do a quick inventory to make sure the package contains all the parts and hardware listed in the assembly instructions.</p>	<p>To avoid misalignments, always leave the screws loose and tighten them until all pieces are positioned correctly.</p>
<p>Missing, damaged and defective parts can be replaced at no cost to you. Please refer to the last pages on this manual.</p>	<p>Do not overtighten or force the screws as they might break, strip, damage the threads of the holes or get stuck inside the part.</p>
<p>The replacement parts service is limited to the 48 contiguous United States. If you reside in Alaska, Hawaii, Puerto Rico, U.S. territories or other countries, please contact the supplier from where the unit was purchased.</p>	<p>Sometimes the laminate might cover partially or entirely the hole on a panel. If there is no visible hole for the screw, pass and press the tip of your finger over the area where the hole should be located to feel the indentation, and once found, carefully pierce the laminate to reveal the hole underneath.</p>
<p>If during assembly you find an issue or need clarification, please contact our Customer Service for assistance. Please refer to the last pages on this manual.</p>	<p>If the hole seems too small for the screw, first make sure you are using the correct size of screw and that it's been installed in the correct hole. If the hole still appears to be too small, carefully pierce the laminate to reveal the hole's actual size.</p>
<p>On each step read the instructions and analyze the illustrations thoroughly before proceeding to do the assembly.</p>	<p>Make sure you understand which hardware will be used on each step. Using the wrong size of screw, bolt or pin might strip the threads or cause damage to the part in which it is being used.</p>
<p>Make sure you understand which hardware will be used on each step. Using the wrong size of screw, bolt or pin might strip the threads or cause damage to the part in which it is being used.</p>	<p>Make sure you understand which hardware will be used on each step. Using the wrong size of screw, bolt or pin might strip the threads or cause damage to the part in which it is being used.</p>

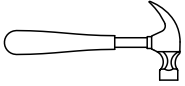


ASSEMBLY STEPS

STEP 1

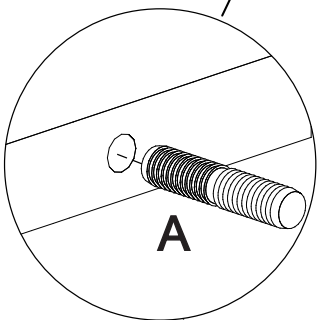
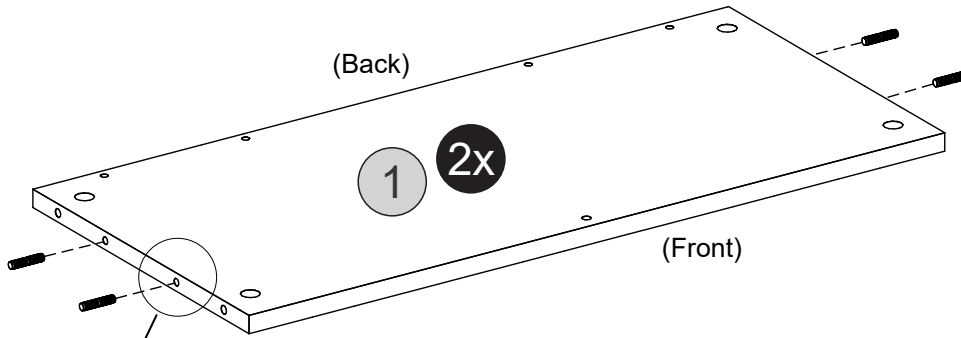
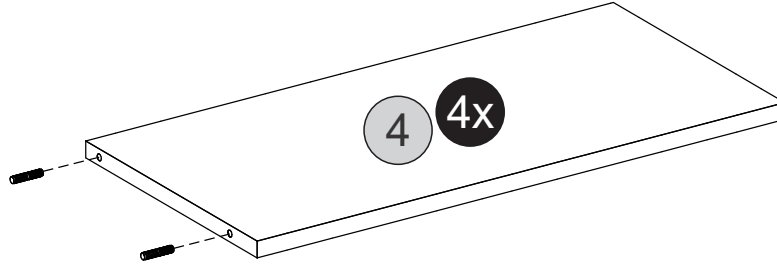
Hardware/Tools

A  20 Pcs

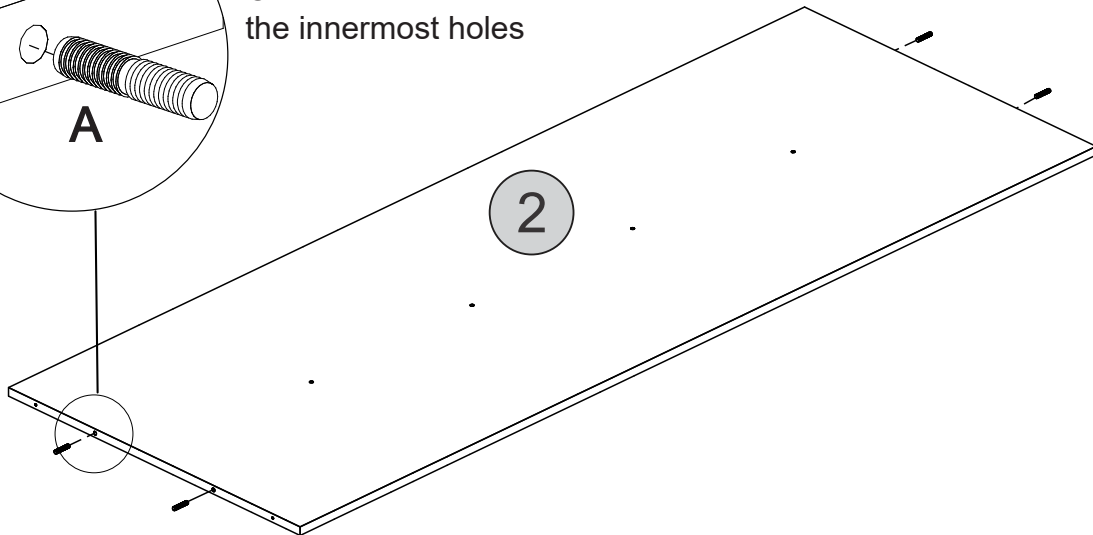


NOT INCLUDED

- Attach the dowels **A** into the indicated holes on the profile of panels **4**.
- Attach the dowels **A** into the innermost holes on the profiles of panels **1** and **2** as shown.



On **1** and **2** attach to the innermost holes

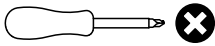


STEP 2

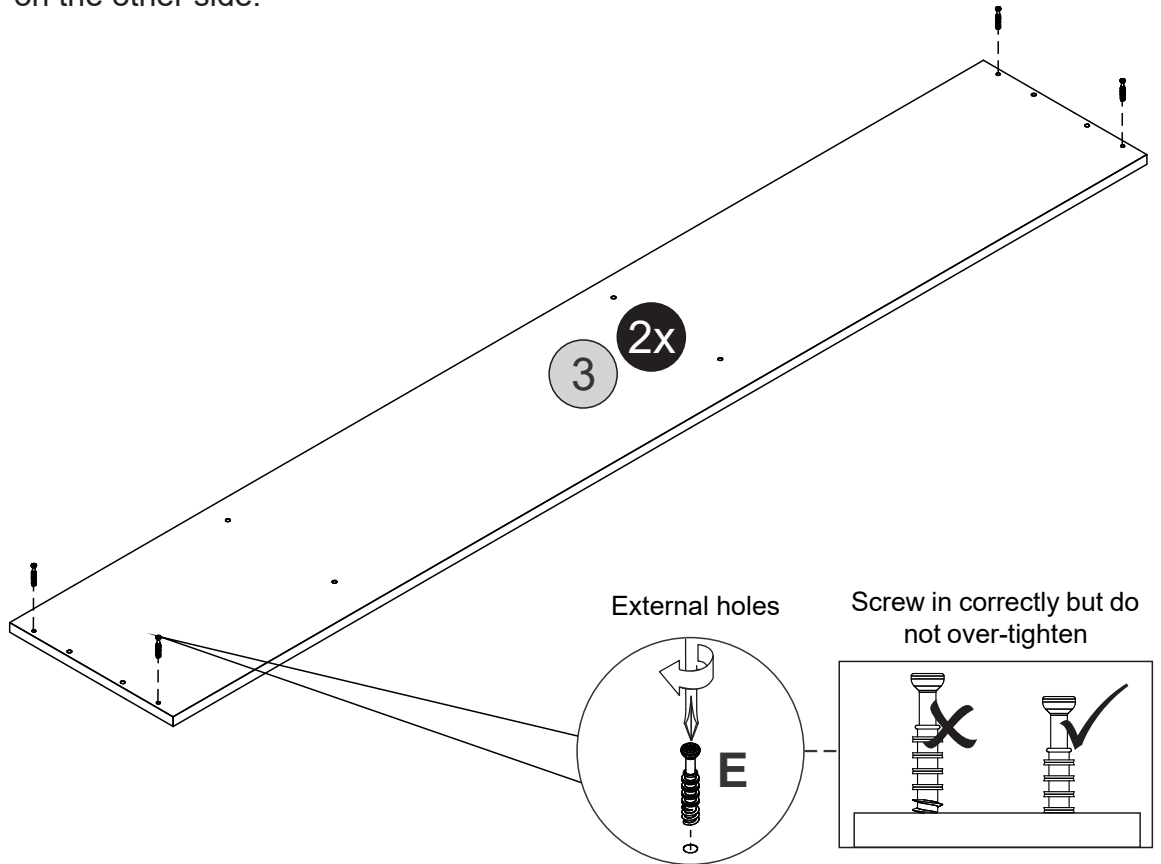
Hardware/Tools

E		8
	M5x30	Pcs

NOT INCLUDED:




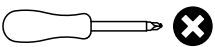
Attach the bolts **E** onto the external holes of panels **3** as shown. Make sure to screw in correctly but do not over-tighten to avoid the bolt to bulge or perforate on the other side.



STEP 3

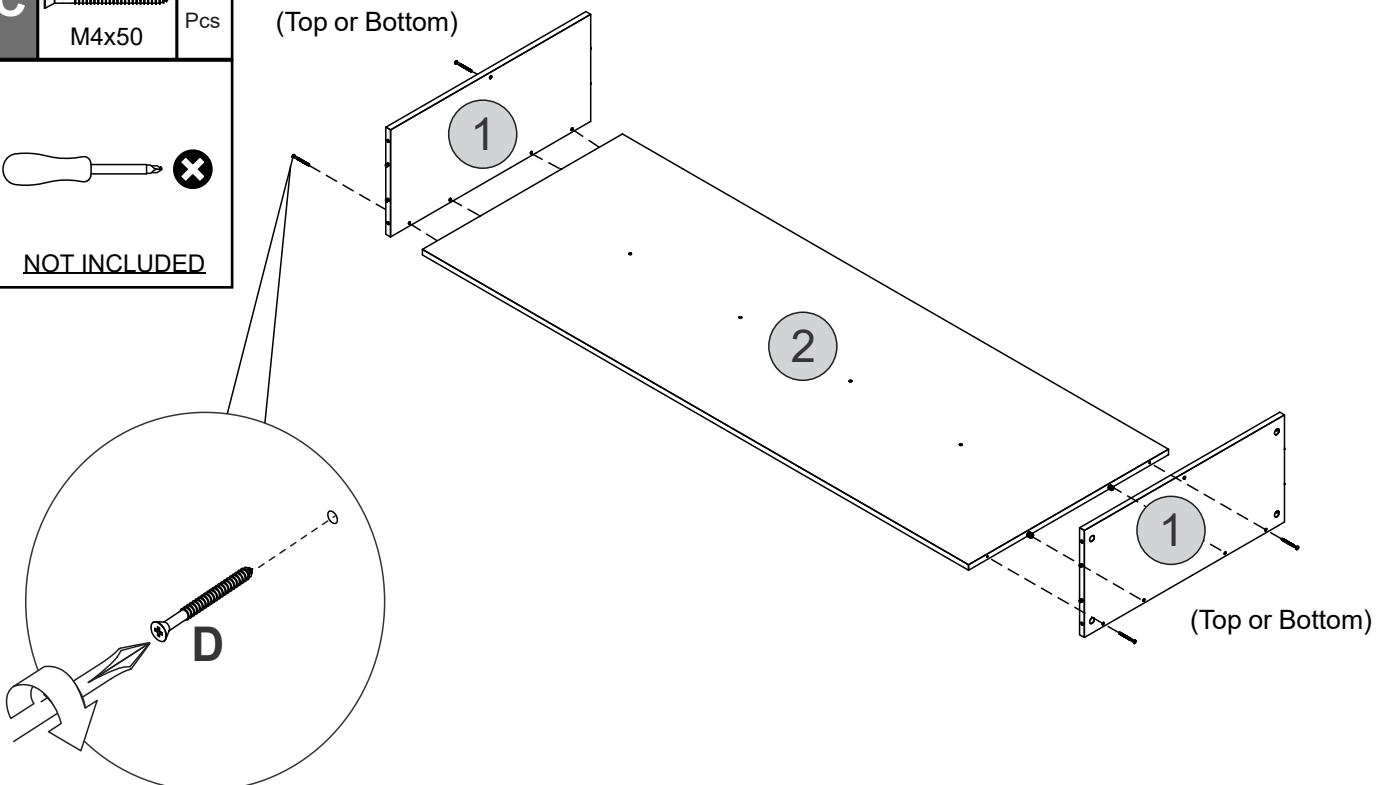
Hardware/Tools

C		4
	M4x50	Pcs



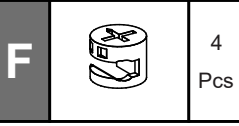
NOT INCLUDED

Use a screwdriver (not included) to assemble the Top and Bottom panels **1** to the back panel **2** with screws **C** as shown. Please note that the big holes for the cam locks on panels **1** will be facing towards the exterior on the unit.



STEP 4

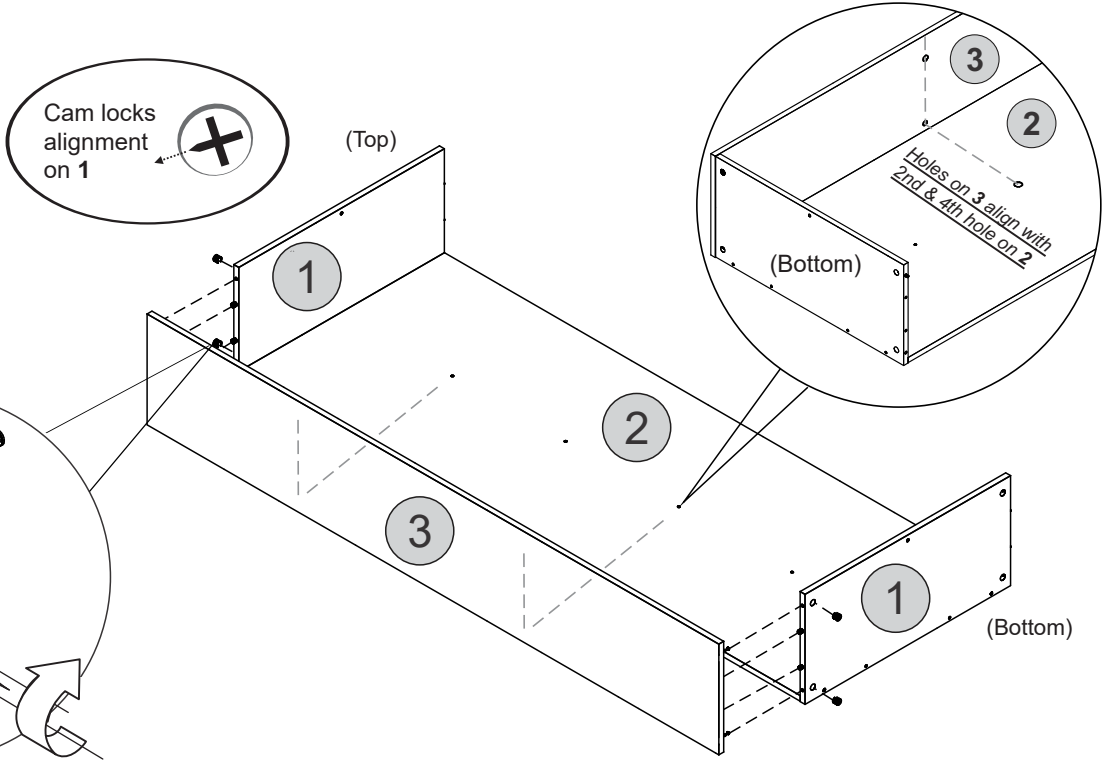
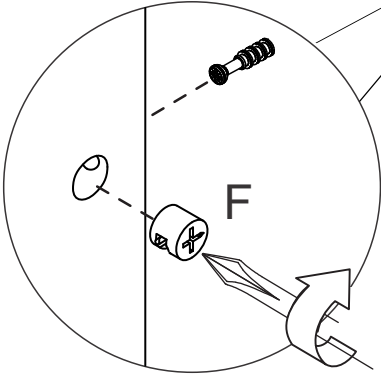
Hardware/Tools



NOT INCLUDED

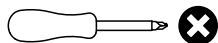
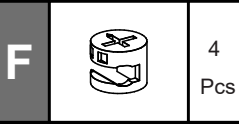
- Join one of the side panels **3** to panels **1** on one side of the unit, making sure the sets of holes on **3** align with the 2nd and top hole on panel **2**.
- Insert the cam locks **F** into panels **1** and use a screwdriver (not included) to turn them and lock the pieces together as explained in page **4**.

1. Join panels
2. Insert cam locks
3. Turn cam locks



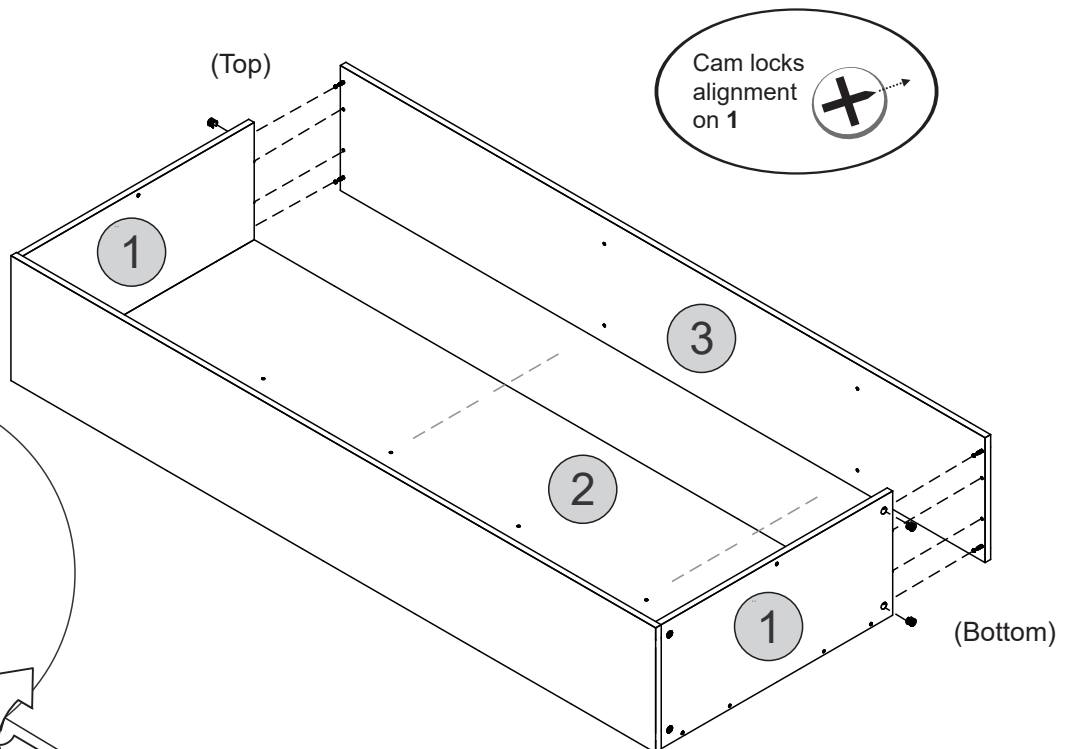
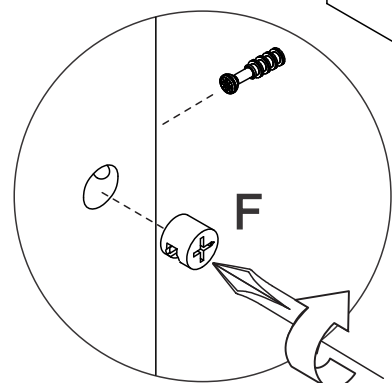
STEP 5

Hardware/Tools



NOT INCLUDED

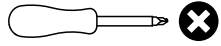
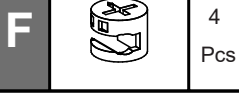
Use a screwdriver (not included) and follow the same procedure as in **step 4** to assemble the other side panel **3** to panels **1** with cam locks **F**, but this time the holes on **3** will align with the bottom and 3rd holes on **2**.



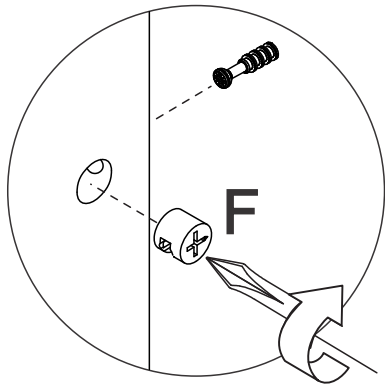
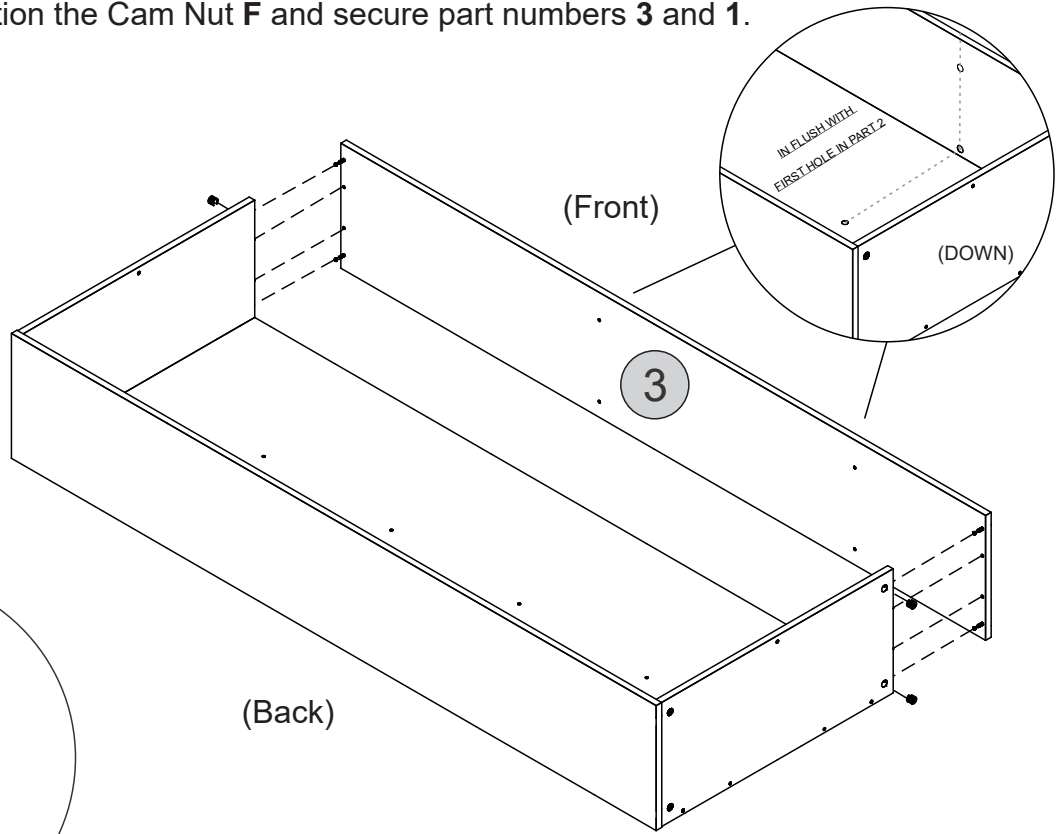
STEP 6

Position the Cam Nut **F** and secure part numbers **3** and **1**.

Hardware/Tools



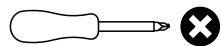
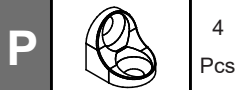
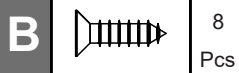
NOT INCLUDED



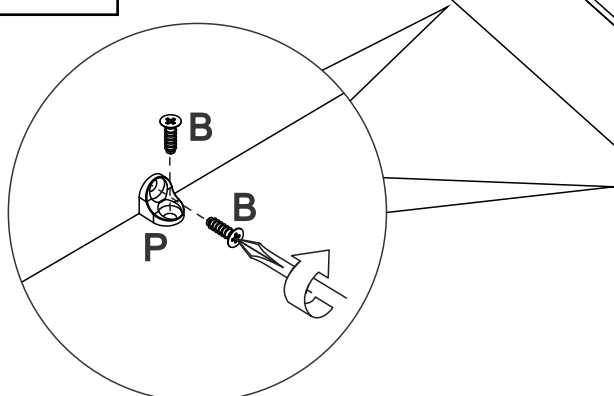
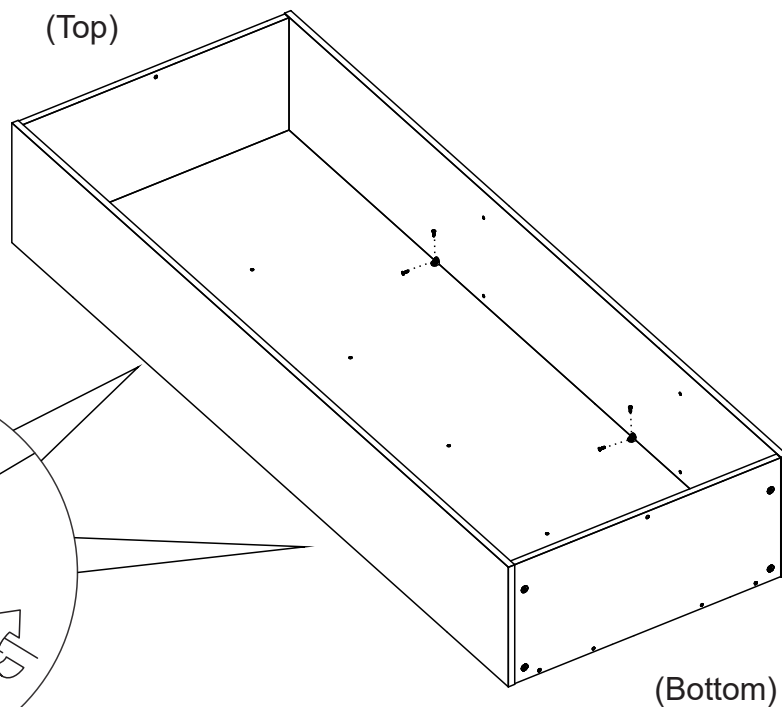
STEP 7

Use a screwdriver (not included) to attach the angle brackets **P** to panels **2** and **3** with screws **B** as shown.

Hardware/Tools

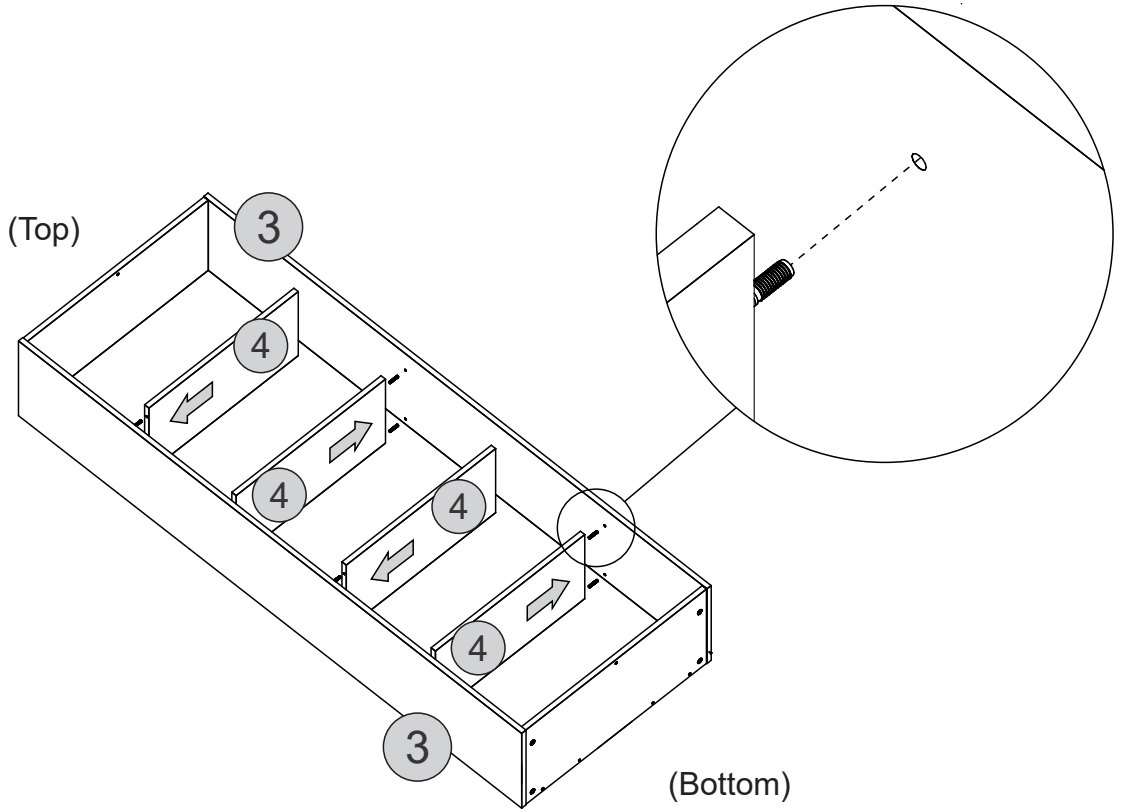


NOT INCLUDED



STEP 8

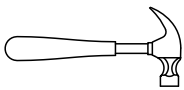
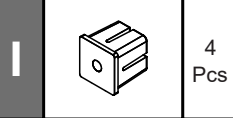
Attach the shelves 4 to the side panels 3, two of each on each side as shown.



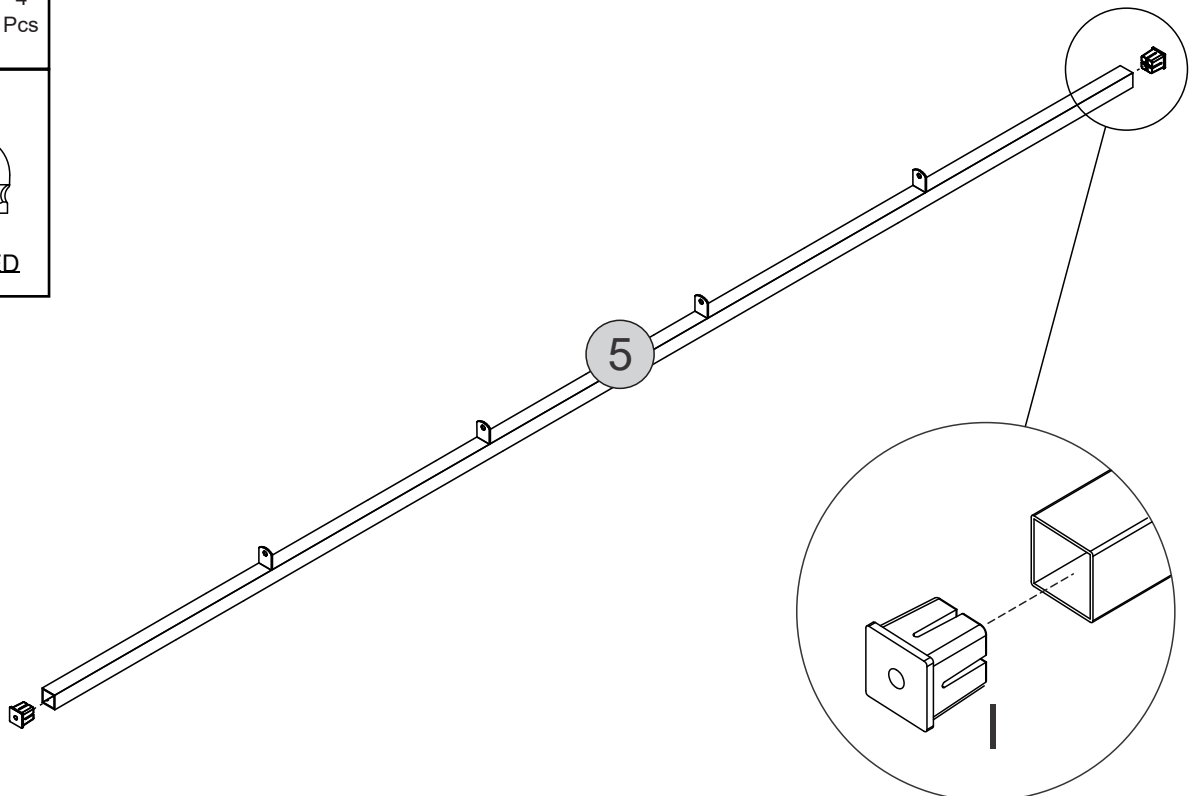
STEP 9

Use a hammer (not included) to attach the End Caps I to the front tube 5.

Hardware/Tools



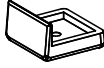
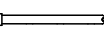


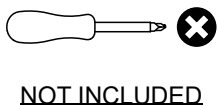
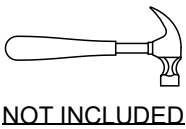
NOT INCLUDED



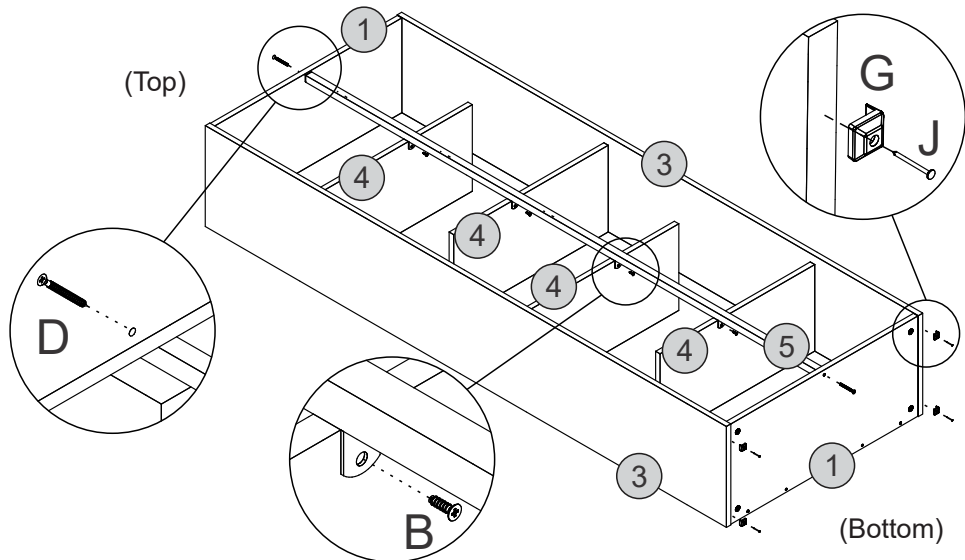
STEP 10

Hardware/Tools

B		4 Pcs
D		2 Pcs
G		4 Pcs
J		4 Pcs

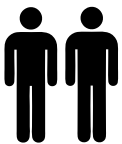


- Place the Front Tube **5** over the shelves **4** in a way that its tabs will be located UNDER the shelves.
- Use a screwdriver (not included) to secure the Front Tube **5** to the Top and Bottom panels **1** with screws **D**.
- Use a screwdriver (not included) to secure the Front Tube **5** to the Shelves **4** with screws **B** from underneath.
- Lastly, use a hammer (not included) to attach the Plastic Glides **G** to the bottom of the side panels **3** with nails **J** as shown.

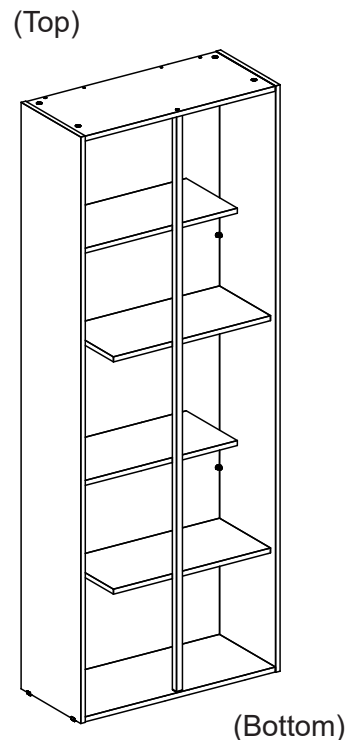
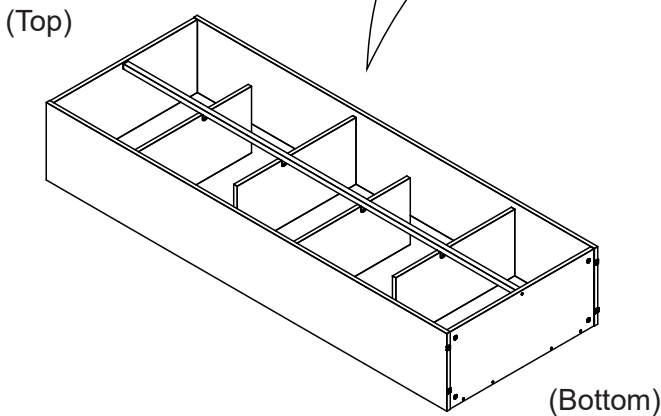


The tabs on 5 will be located under the shelf

STEP 11

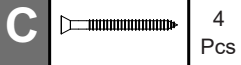


With the help of another person, and taking all safety precautions, lift and bring the unit upright.



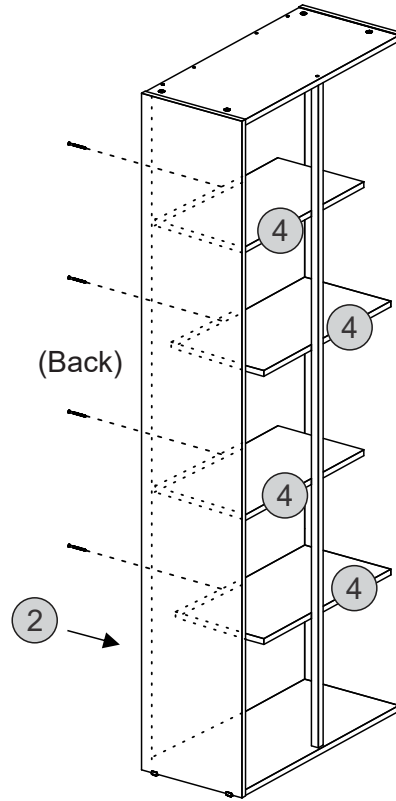
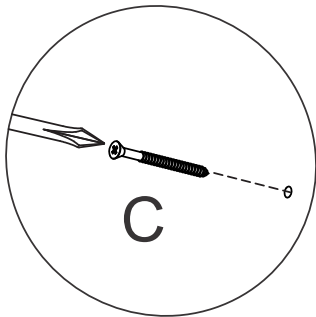
STEP 12

Hardware/Tools



NOT INCLUDED

Use a screwdriver (not included) to secure the shelves **4** to the back panel **2** with screws **C** from behind the unit.

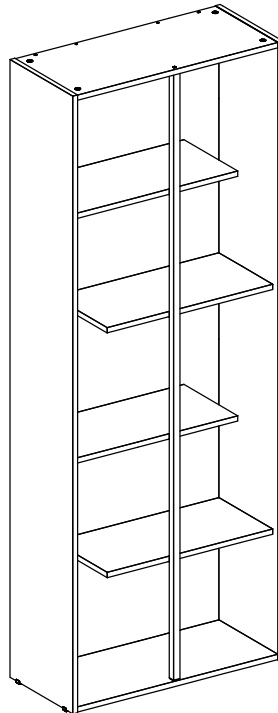
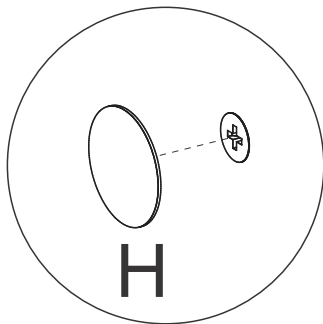


STEP 13

Hardware/Tools

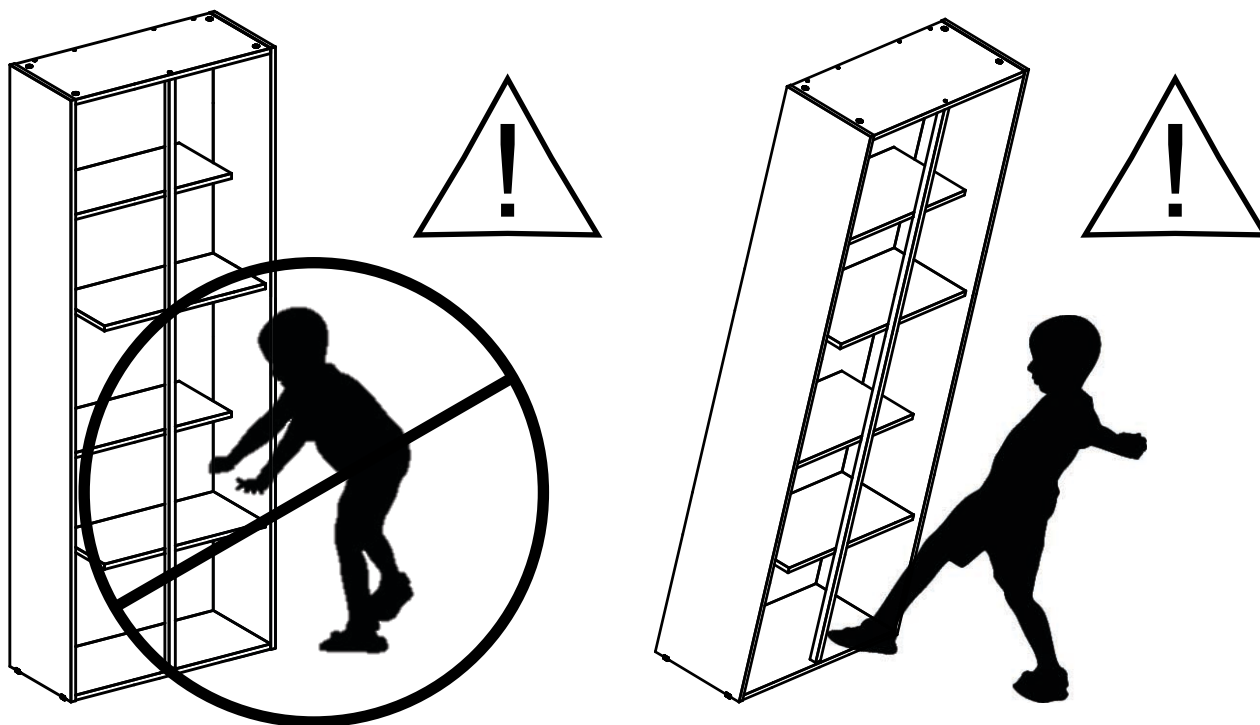


Cover the screw and cam locks holes with the stickers **H** wherever they might be visible on the unit.



THE ASSEMBLY CONTINUES ON THE NEXT PAGE, BUT PLEASE READ FIRST THE FOLLOWING WARNING.

TIP OVER WARNING

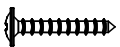




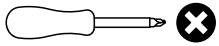
PREVENT TIP-OVER ACCIDENTS BY FOLLOWING THESE RECOMMENDATIONS:

- 1) Secure the unit by anchoring it to the wall. The anchoring device has been provided with the unit, and must be installed by following the instructions shown on the next steps 14, 15 and 16 on PAGES 14 and 15.
- 2) Once the unit has been anchored, load the heavier objects onto the lower shelves, and the lighter objects to the upper shelves.
- 3) Never reach the objects on the upper shelves by climbing on the lower shelves.
- 4) Do not let children climb or play inside any of the shelves.

STEP 14

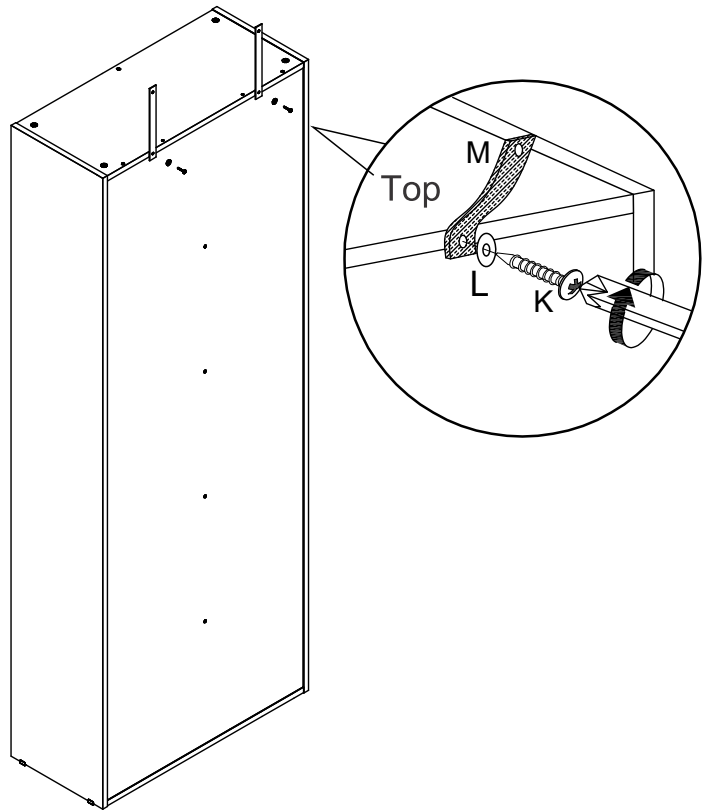
Hardware/Tools

K		2 Pcs
L		2 Pcs
M		2 Pcs



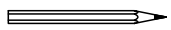
NOT INCLUDED

Use a screwdriver (not included) to attach the straps **M** to the top of the unit on its back side with screws **K** and washers **L** as shown.

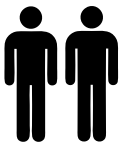


STEP 15

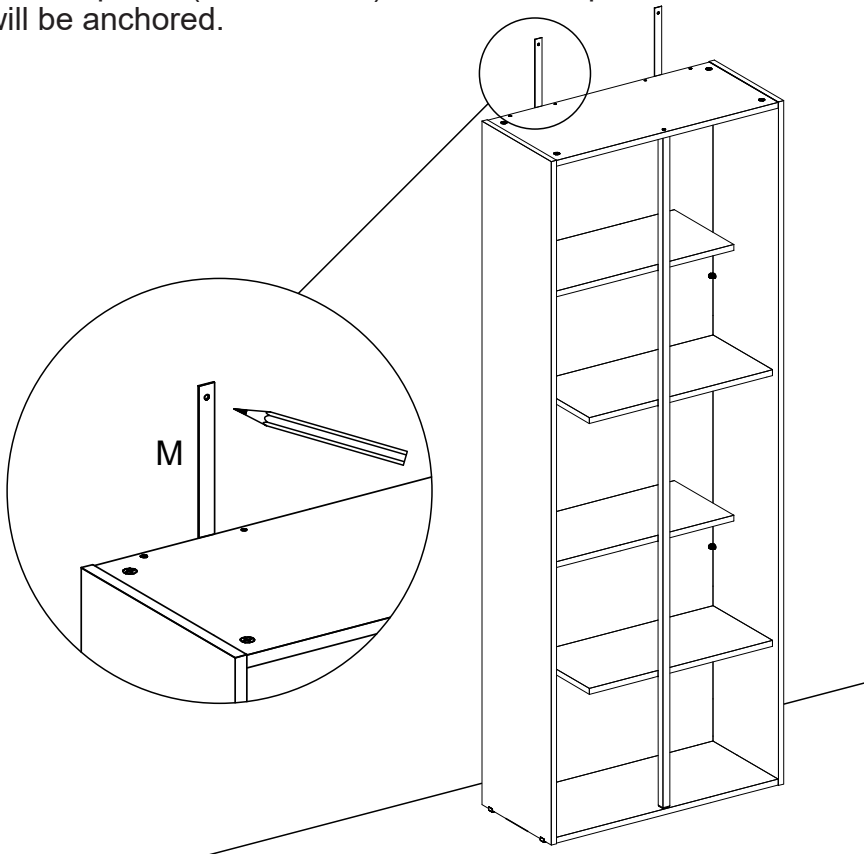
Hardware/Tools



NOT INCLUDED

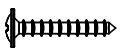

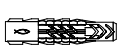


- With the help of another person, place the unit in the desired location against the wall.
- Use a pencil (not included) to mark the 2 points on the wall where the unit will be anchored.

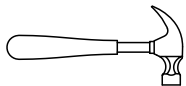
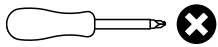


STEP 16

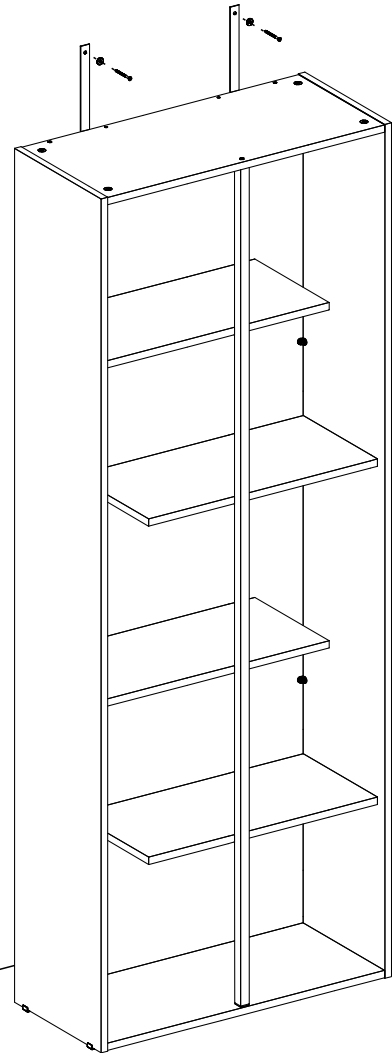
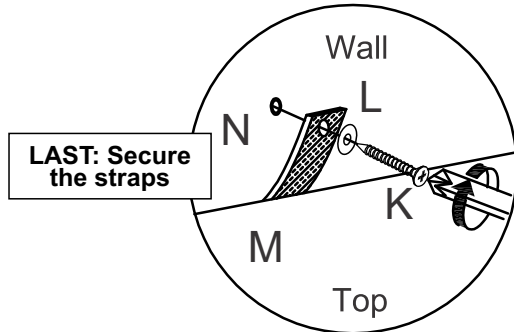
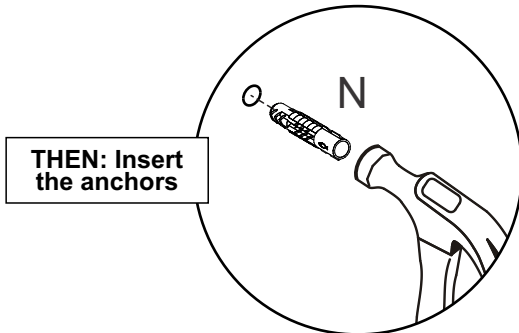
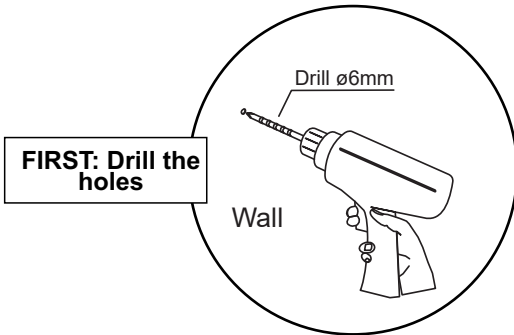
Hardware/Tools

K		2 Pcs
L		2 Pcs
N		2 Pcs

NOT INCLUDED:



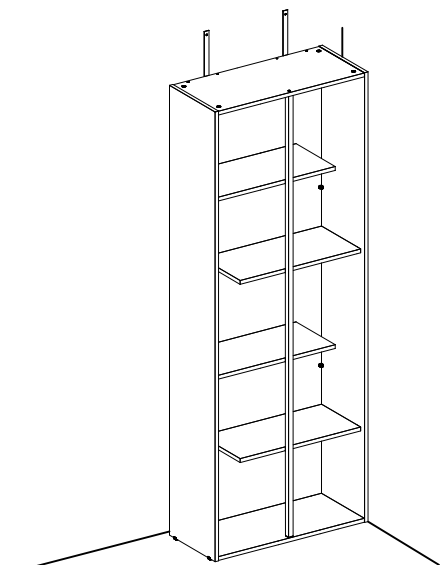
- Use a power driller with Ø6mm drill bit (not included) to drill the holes on the wall at the marks.
- Use a hammer (not included) to insert the anchor N in the holes on the wall.
- Use a screwdriver (not included) to secure the straps M to the anchors N with screws K as shown.

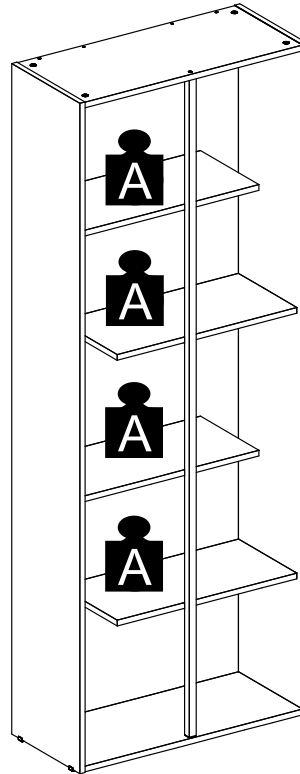



ALL DONE!

Give yourself a nice pat on the back, you did a great job!

Enjoy your new unit.



CARE, MAINTENANCE AND SAFETY WARNINGS:**WEIGHT LIMITS**

 = 22 Lbs. (10 Kg)

- Do not exceed the indicated weight limits.
- Secure the unit to the wall with the anchoring device provided with the product.
- Do not expose the surfaces to direct sunlight or to extreme environmental conditions.
- Clean the surfaces preferable with a clean cloth damped in a solution of mild soap and water, then dry with a clean towel.
- Do not use solvents or abrasive materials to clean the unit.
- If you decide to use a cleaning agent, test first on an area hidden from view such as underneath the shelves.
- Load the heavier objects onto the lower shelves, and the lighter objects to the upper shelves.
- Never reach the objects on the upper shelves by climbing on the lower shelves, use a step ladder instead.
- Do not allow small children to play inside the unit.
- Do not allow small children reaching onto the shelves by themselves, as objects might fall and hurt them.
- Always get another person to help you when removing and re-locating the unit somewhere else, and remove all objects from the unit.
- Shall any part of the unit become defective during the warranty period, replacement parts might be available to you at no charge. Please refer to the last pages on this manual.
- The warranty does not extend to regular wear and tear, nor the manufacturer assumes liability for damages or consequences due to accidents, incorrect assembly, negligence, improper use, modifications, or not heeding the above warnings.

TECHNI MOBILI WARRANTY

HOME COLLECTION: LIMITED 1-YEAR WARRANTY

RTA Products, LLC warrants to the Original Purchaser who acquired a new product from RTA Products or its authorized resellers that this product will be free from defects in its workmanship and materials, under normal use and service conditions, as described herein. "Defects" as used in this warranty, is defined as any imperfections that impair the use of the furniture or product. RTA Products LLC will replace any defective part, at its discretion, and without charge to the original purchaser other than the freight from the end consumer to RTA Products.

Replacement parts can only be supplied if parts are available. Items out of production may be unavailable. This warranty will be effective for the applicable time period beginning the date of purchase on your original sales receipt. RTA product's obligation under this warranty is limited to repairing or replacing products or parts as provided herein. This product has been designed for and is intended for office and home-office use only. This warranty is Original Purchaser's sole remedy for product defects, and this warranty does not extend to any product, or damage to any product, caused by or attributed to abuse or misuse, products used for commercial or rental purposes, use modifications of, or attachments to the product, and products or parts not used, maintained, or extended hereunder is in lieu of any and all other warranties, express or implied, including without limitations any implied warranty or merchantability or of fitness for a particular purpose. Please note, all desks made with PVC Laminate surface should not be exposed to direct sunlight, as it may damage the material. Damage of this nature is not covered under this warranty.

RTA Products will not be responsible for indirect, special, incidental or consequential damages. This warranty is limited to merchandise purchased in the Continental United States, excludes AK, HI and PR. Some States do not allow the exclusion or limitation of incidental or consequential damages, so the above limitations or exclusions may not apply to you. This warranty gives you specific legal rights. You may also have other rights that may vary from state to state.

RTA Products will advise you of the procedure to follow in making warranty claims. The following are the procedures for warranty claims:

- a. Call us Monday – Friday, from 9am-5pm (Eastern Time) at (866) 782-5520 to explain the defect and give your name, address and phone number. Please have ready the model number of our product, date and place of purchase. You can also write to us by e-mail to warranty@rtaproducts.com and include the same information.
- b. If we determine that replacement will remedy the situation, and in order to determine the extent or the cause of the defect, purchaser will need to send the part in question at purchaser's expense. Once we receive the part, we will examine it and determine whether the claim is valid (or not), and then proceed to send the replacement. We will ship the replacement at our expense.

FOR SEVERAL HELP OPTIONS INCLUDING REPLACEMENT PARTS ORDERS

VISIT: WWW.TECHNIMOBILI.COM



CLICK ON SUPPORT TAB



Scan QR Code to order replacement parts

OR EMAIL US: SUPPORT@RTAPRODUCTS.COM

