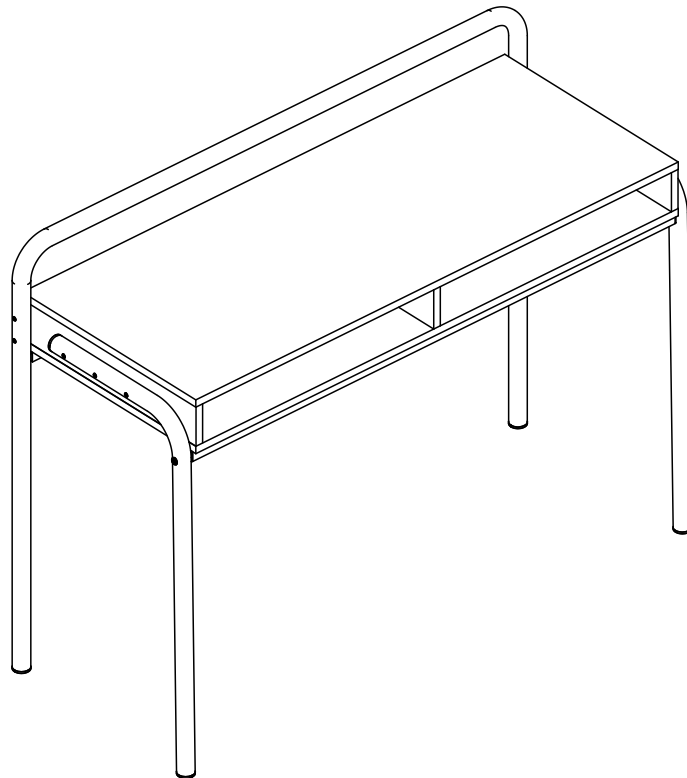


MODEL RTA-984D

ASSEMBLY INSTRUCTIONS

Thank you for purchasing our product.



REV-CAR-6643-0622

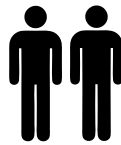




- Please read carefully the assembly instructions before the installation.



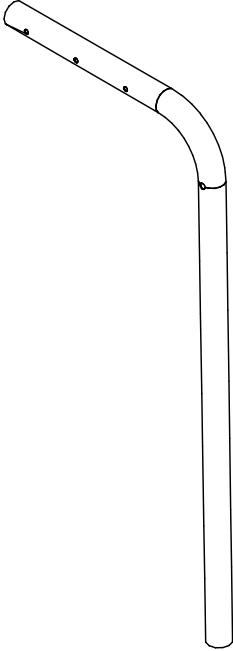
- Do not discard this manual or any of the packaging material until the unit has been completely assembled.



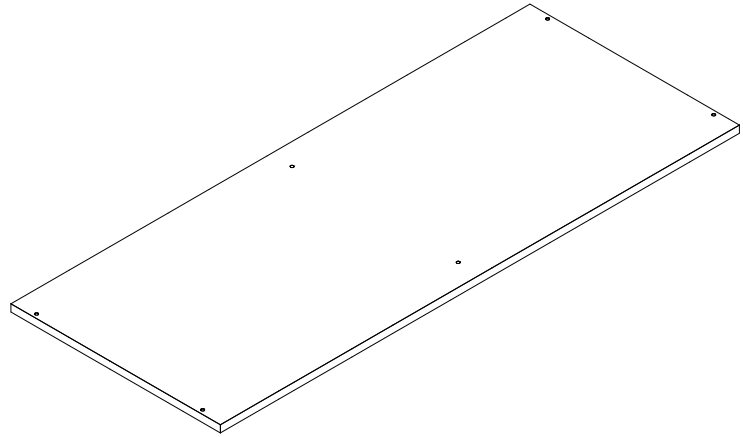
- Might require two people.

MAIN PARTS LIST

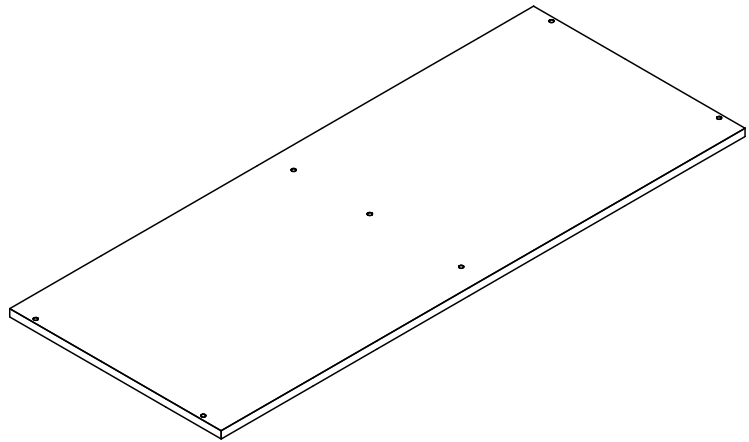
1
x2
Front Leg



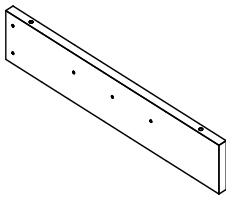
2
x1
Bottom Panel



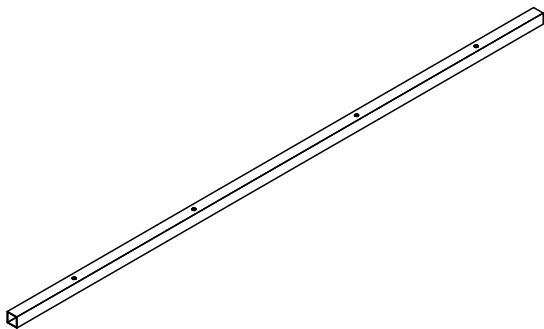
3
x1
Top Panel



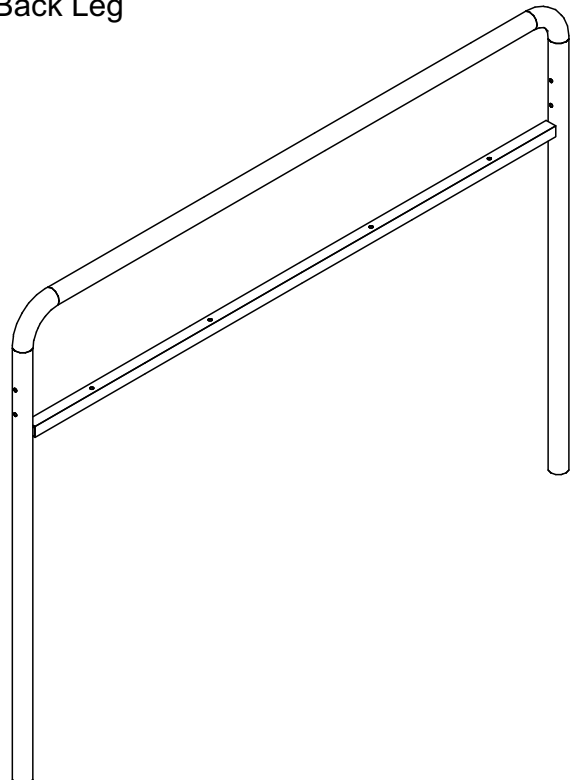
4
x3
Side Panel



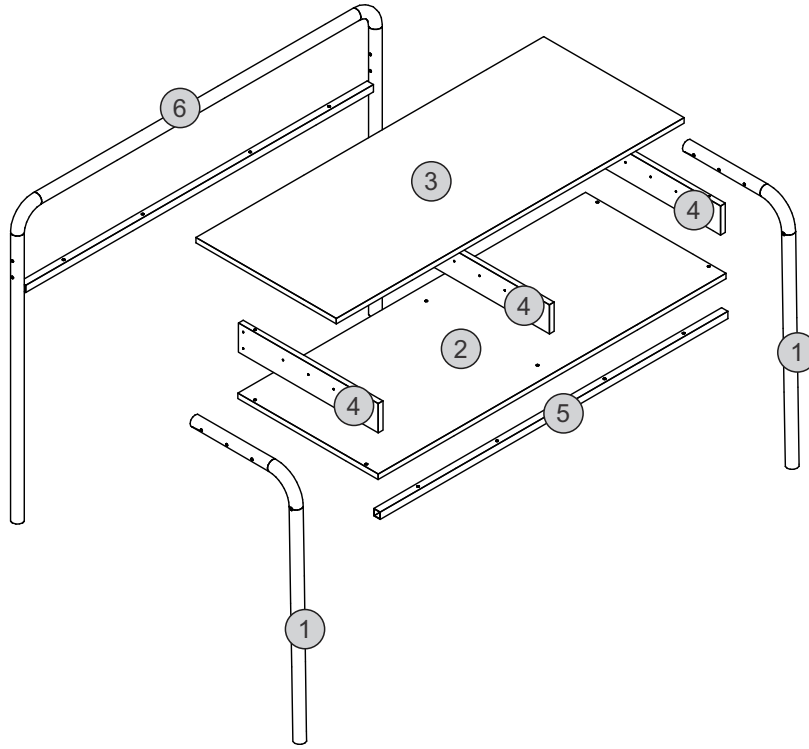
5
x1
Crossbar



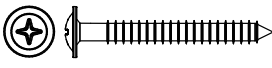
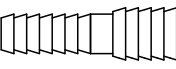

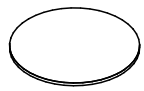
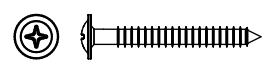
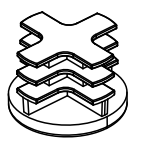
6
x1
Back Leg

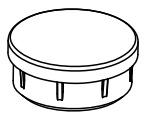

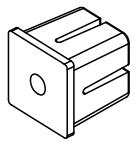


MAIN PARTS LAYOUT (FOR REFERENCE)

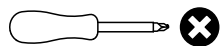

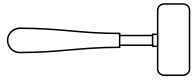


LIST OF HARDWARE, SCREWS AND FITTINGS

PART	QTY	ITEM	
A	2	6x50	
B	6	6x8	
C	6	4x50	
D	26	19mm Hole covers	
E	8	4x30	
F	4	1.1/4" Lower caps	

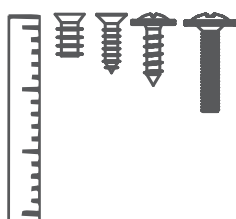
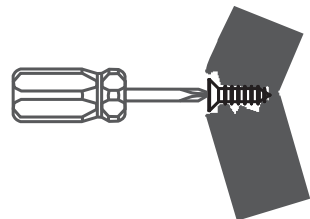
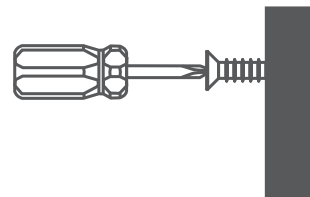
PART	QTY	ITEM	
G	2	1.1/4" Upper cap	
H	10	5x40	
I	2	20x20 Union cap	

TOOLS YOU WILL NEED (NOT INCLUDED)

	1	Screwdriver	 
	1	Rubber Hammer	

BEFORE YOU START THE ASSEMBLY, PLEASE READ THE FOLLOWING TIPS AND WARNINGS.

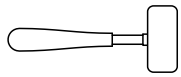
<p>Do a quick inventory to make sure the package contains all the parts and hardware listed in the assembly instructions.</p>	<p>To avoid misalignments, always leave the screws loose and tighten them until all pieces are positioned correctly.</p>
<p>Missing, damaged and defective parts can be replaced at no cost to you. Please refer to the last pages on this manual.</p>	<p>Do not overtighten or force the screws as they might break, strip, damage the threads of the holes or get stuck inside the part.</p>
<p>The replacement parts service is limited to the 48 contiguous United States. If you reside in Alaska, Hawaii, Puerto Rico, U.S. territories or other countries, please contact the supplier from where the unit was purchased.</p>	<p>Sometimes the laminate might cover partially or entirely the hole on a panel. If there is no visible hole for the screw, pass and press the tip of your finger over the area where the hole should be located to feel the indentation, and once found, carefully pierce the laminate to reveal the hole underneath.</p>
<p>If during assembly you find an issue or need clarification, please contact our Customer Service for assistance. Please refer to the last pages on this manual.</p>	<p>If the hole seems too small for the screw, first make sure you are using the correct size of screw and that it's been installed in the correct hole. If the hole still appears to be too small, carefully pierce the laminate to reveal the hole's actual size.</p>
<p>On each step read the instructions and analyze the illustrations thoroughly before proceeding to do the assembly.</p>	<p>Make sure you understand which hardware will be used on each step. Using the wrong size of screw, bolt or pin might strip the threads or cause damage to the part in which it is being used.</p>
<p>Make sure you understand which hardware will be used on each step. Using the wrong size of screw, bolt or pin might strip the threads or cause damage to the part in which it is being used.</p>	<p>Make sure you understand which hardware will be used on each step. Using the wrong size of screw, bolt or pin might strip the threads or cause damage to the part in which it is being used.</p>



ASSEMBLY STEPS

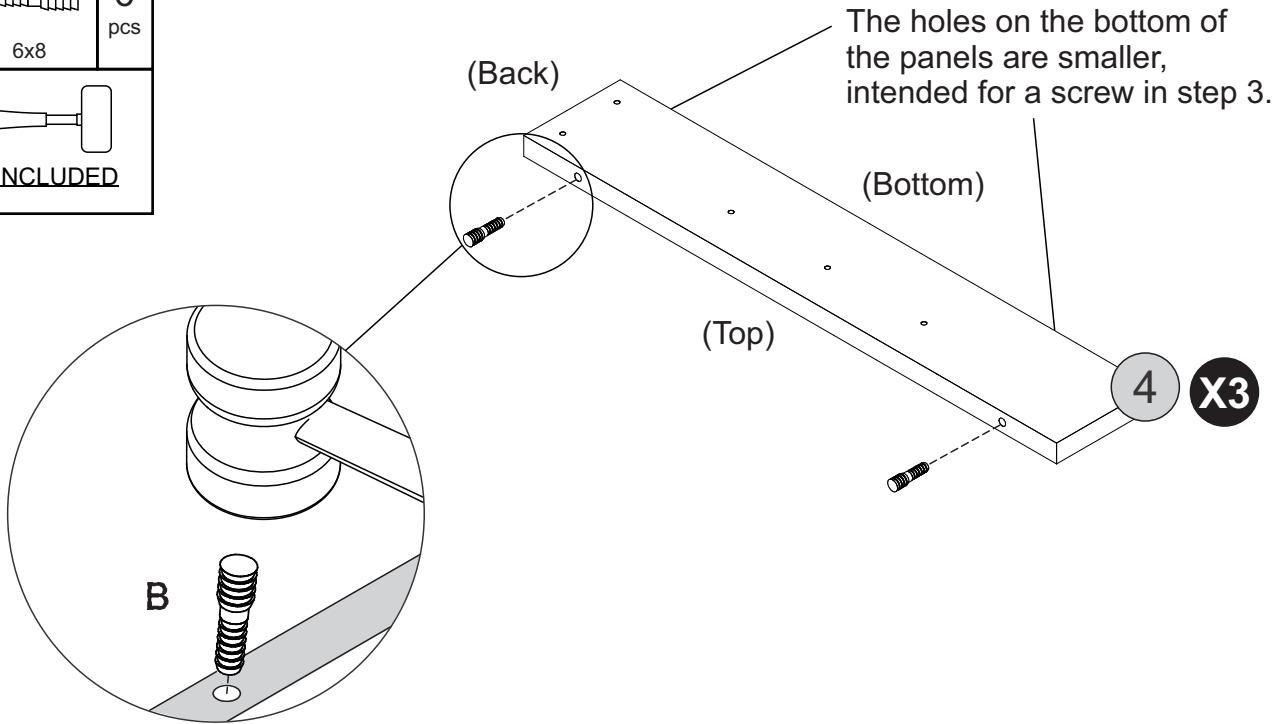
STEP 1

Hardware/Tools



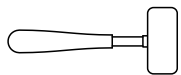
NOT INCLUDED

For each of the three side panels **4**, use a rubber mallet (not included) to insert the plastic dowels **B** on their top profiles.



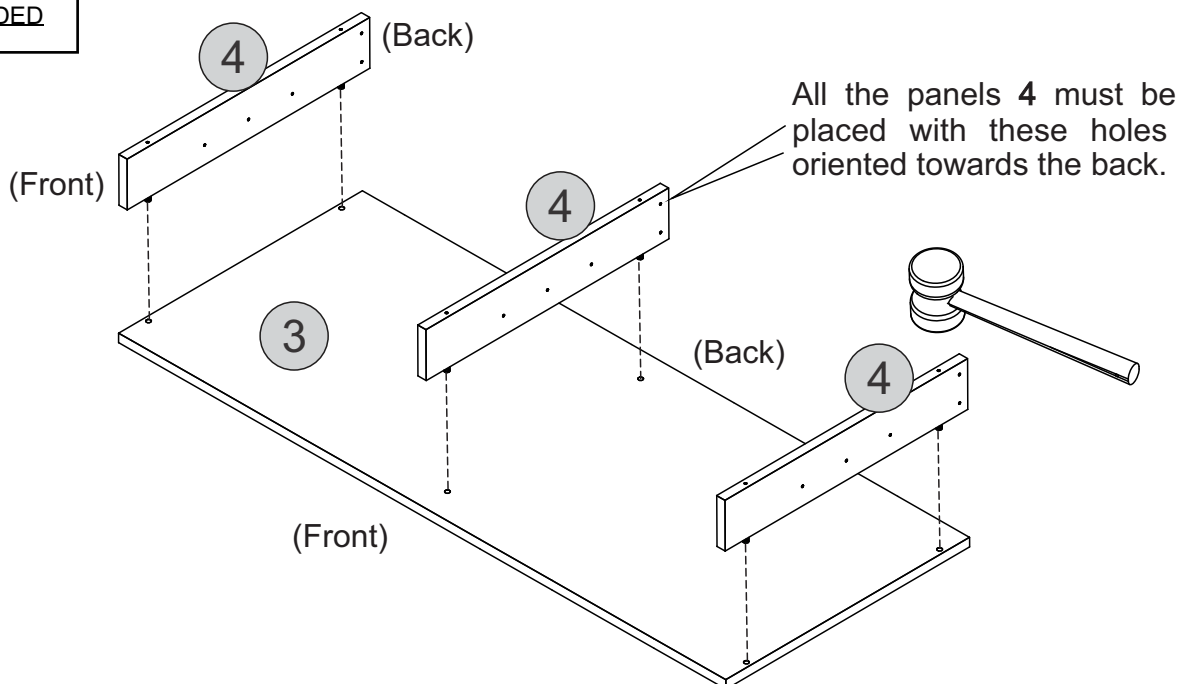
STEP 2

Tools



NOT INCLUDED

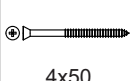
Place the top panel **3** upside-down on a blanket to protect its finish. Then use a rubber mallet (not included) to fix the side panels **4** to the top panel **3**, by aligning the plastic dowel **B** in their respective holes.

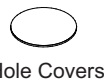


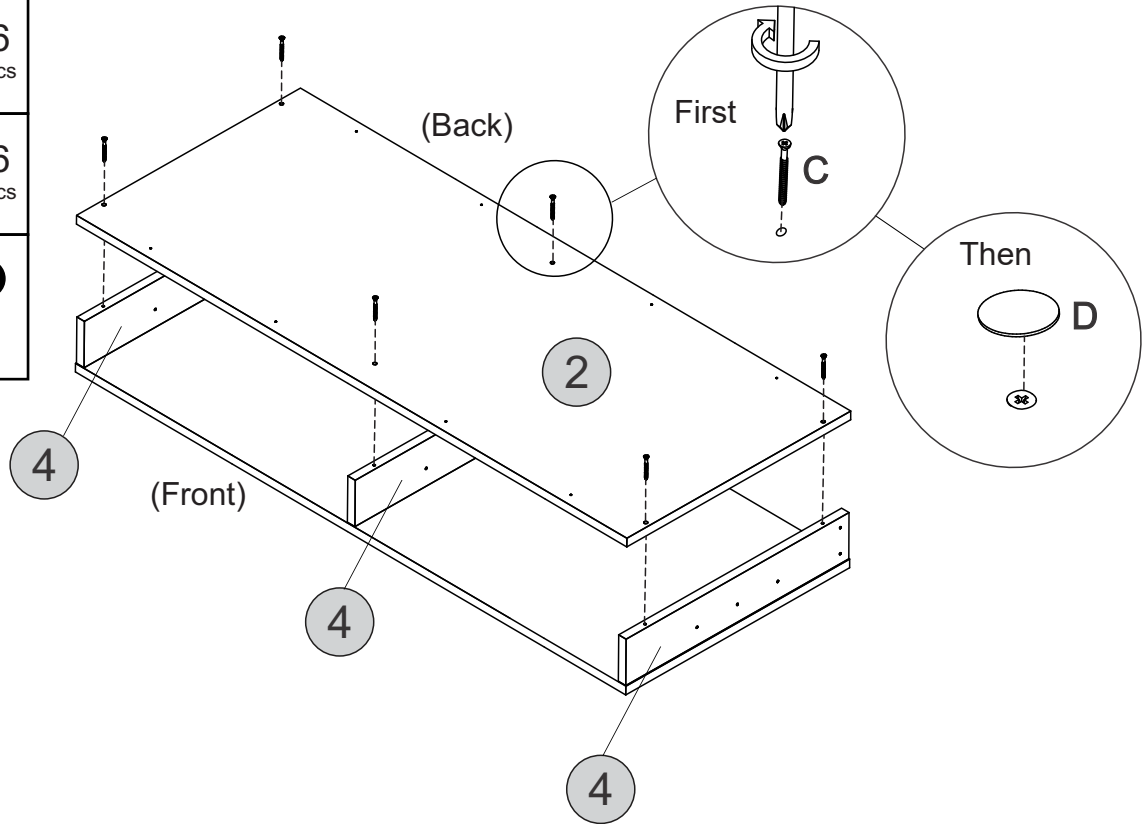
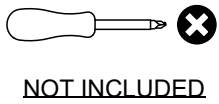
STEP 3

Use a screwdriver (not included) to assemble the bottom panel **2** to the side panels **4** with screws **C**. Then cover the screw heads with **D** if desired.

Hardware/Tools

C		6 pcs
	4x50	


D		6 pcs
	Hole Covers	




STEP 4

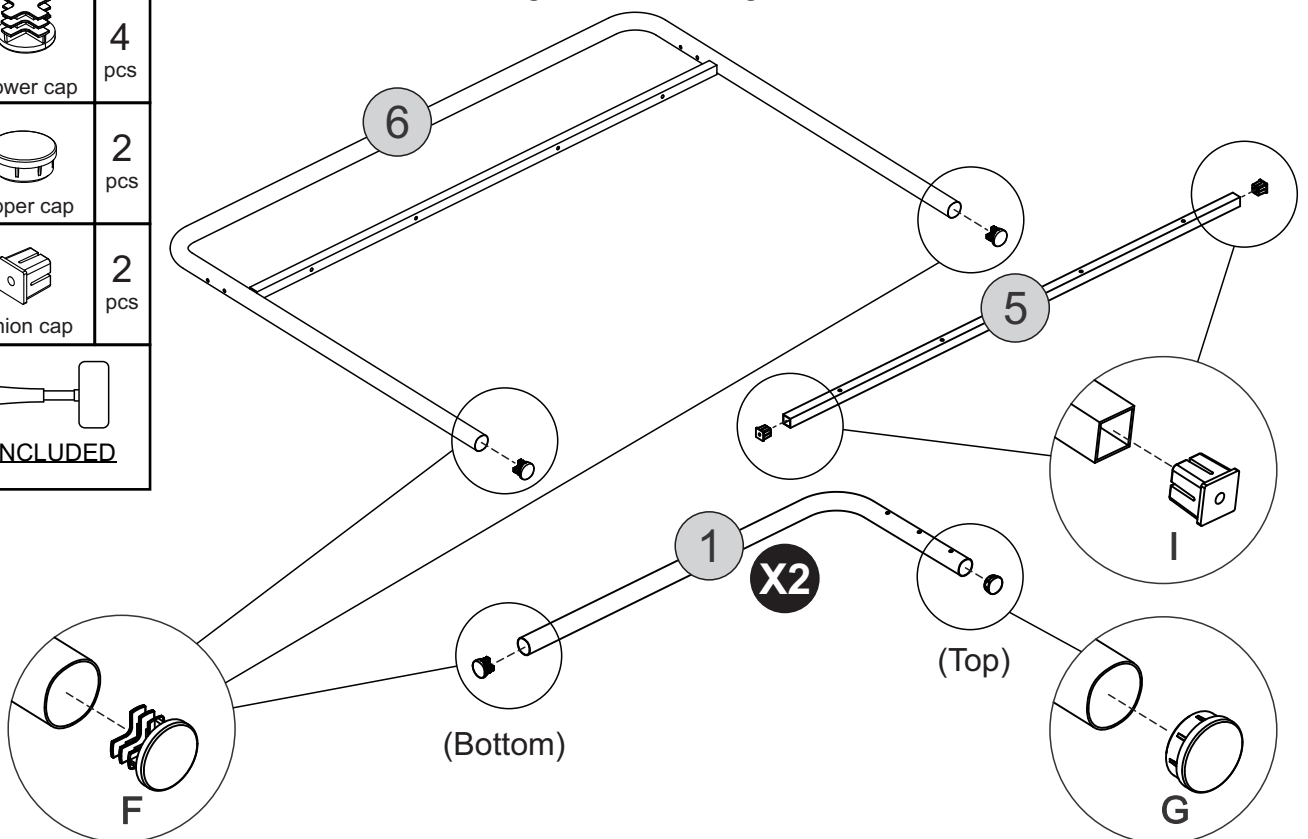
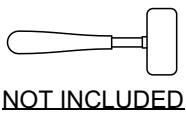
Use a rubber mallet (not included) to insert the square end caps **I** to the crossbar **5**, the top end cap **G** to the top of the front leg **1**, and the bottom glide caps **F** to the bottoms of the front leg **1** and back legs **6** as shown.

Hardware/Tools

F		4 pcs
	Lower cap	

G		2 pcs
	Upper cap	

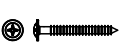
I		2 pcs
	Union cap	

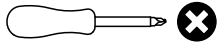


STEP 5

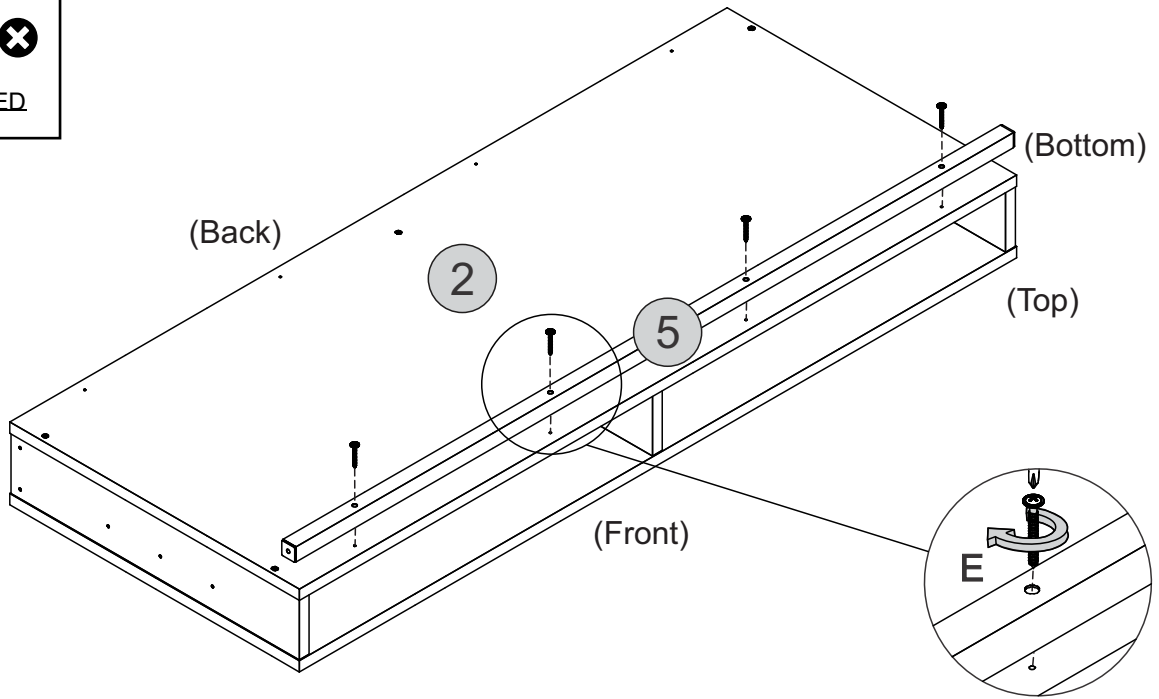
Use a screwdriver (not included) to assemble the crossbar **5** to the bottom panel **2** with screws **E** at the markings on the panel as shown.

Hardware/Tools

E  4 pcs
4x30



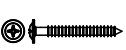
NOT INCLUDED




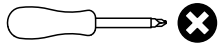
STEP 6

With the help of another person, position the front legs **1** on each side of the main unit, and use a screwdriver (not included) to assemble them to the side panels **4** with screws **A**, and to the crossbar **5** with screws **H** as shown.

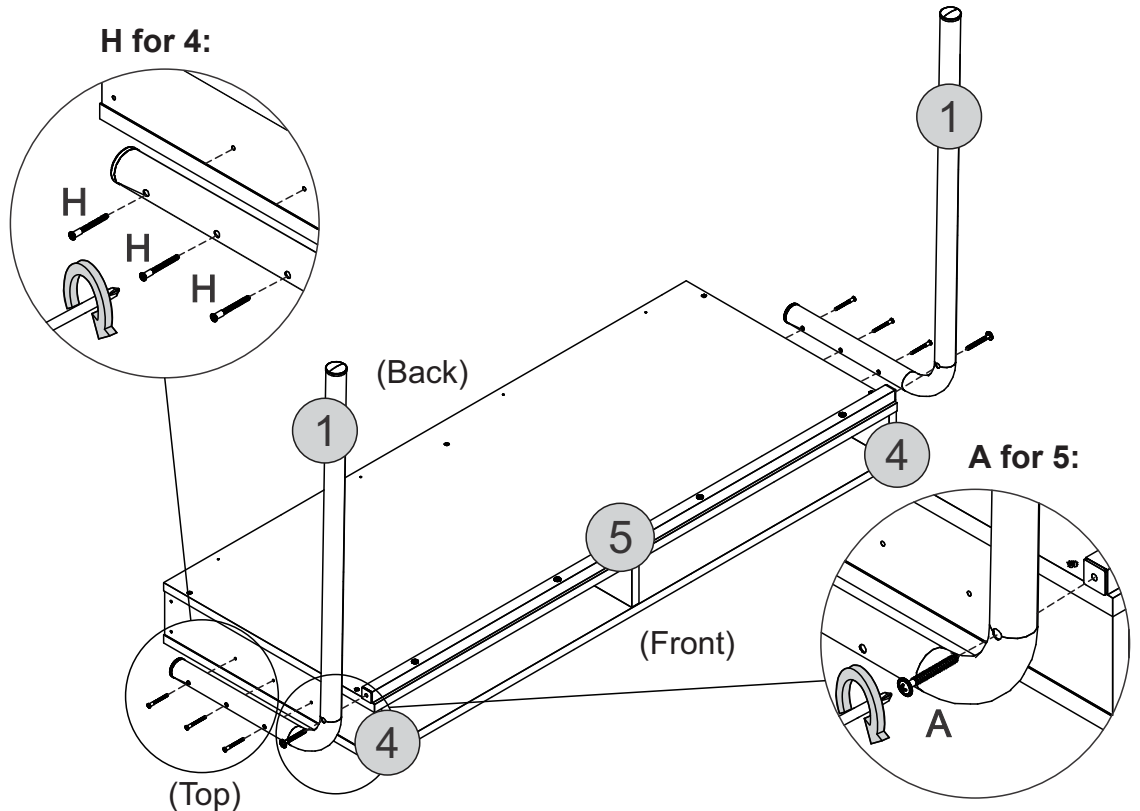
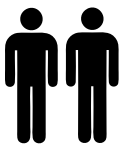
Hardware/Tools

A  2 pcs
6x50

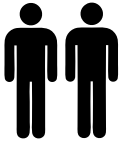
H  6 pcs
5x40



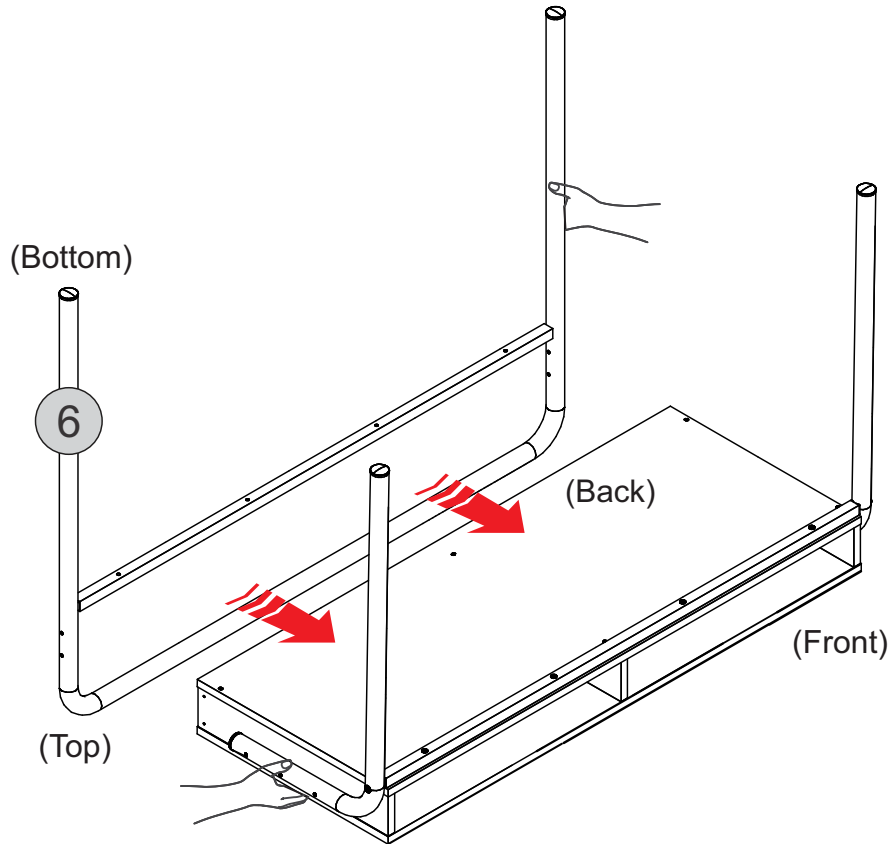
NOT INCLUDED



STEP 7



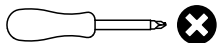
With the help of another person, fit the back leg **6** to the back of the main unit as shown. For safety, one person should keep holding the legs upright.



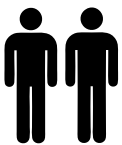
STEP 8

Hardware/Tools

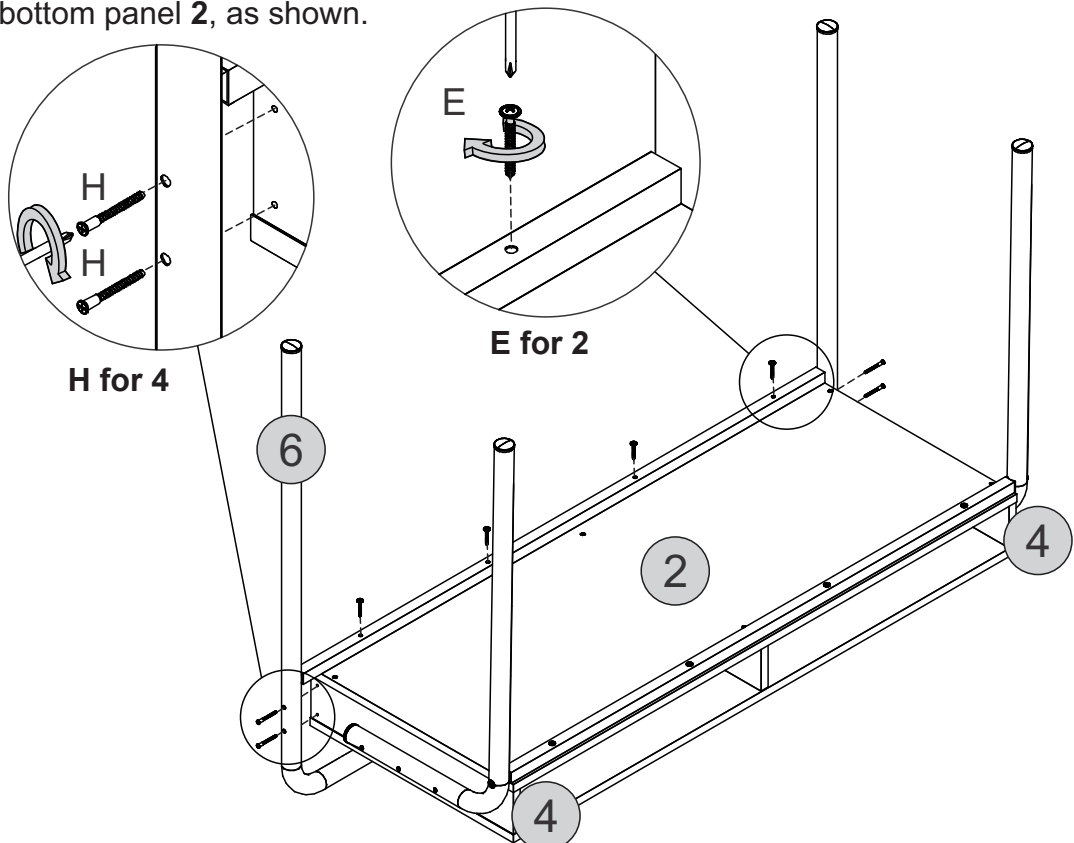
E		4 pcs
H		4 pcs



NOT INCLUDED



With the help of another person, align the side holes of the back leg **6** with the holes of the side panels **4** and secure with the **H** screws using a screwdriver (not included). Next, secure with screws **E** the back leg **6** with the bottom panel **2**, as shown.



STEP 9

Lastly, attach the hole covers **D** to the holes that are visible on the unit.


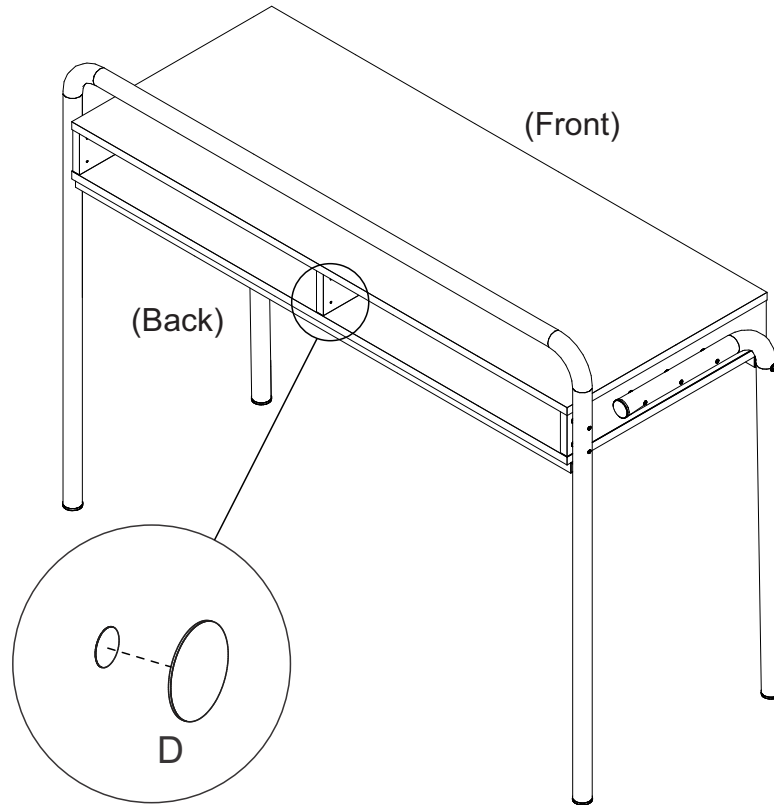
Hardware/Tools

D

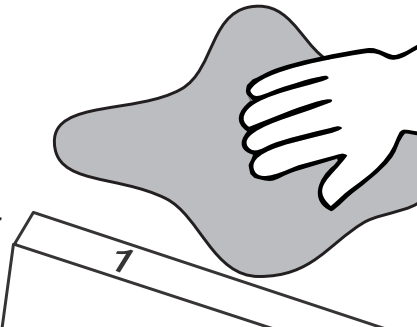


Hole covers

20
pcs



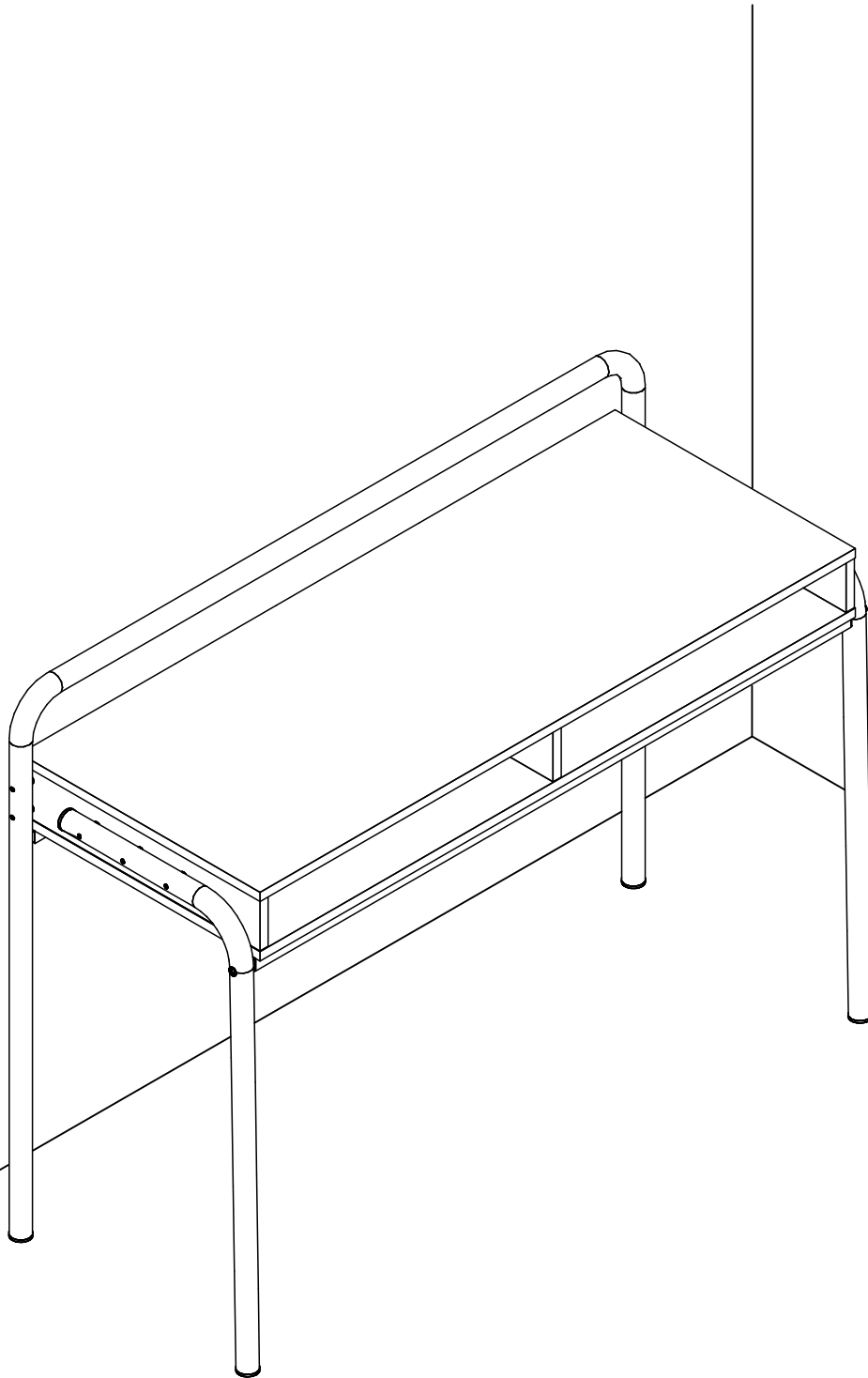
If desired, after assembly you can use rubbing alcohol to erase the number printed on the parts.

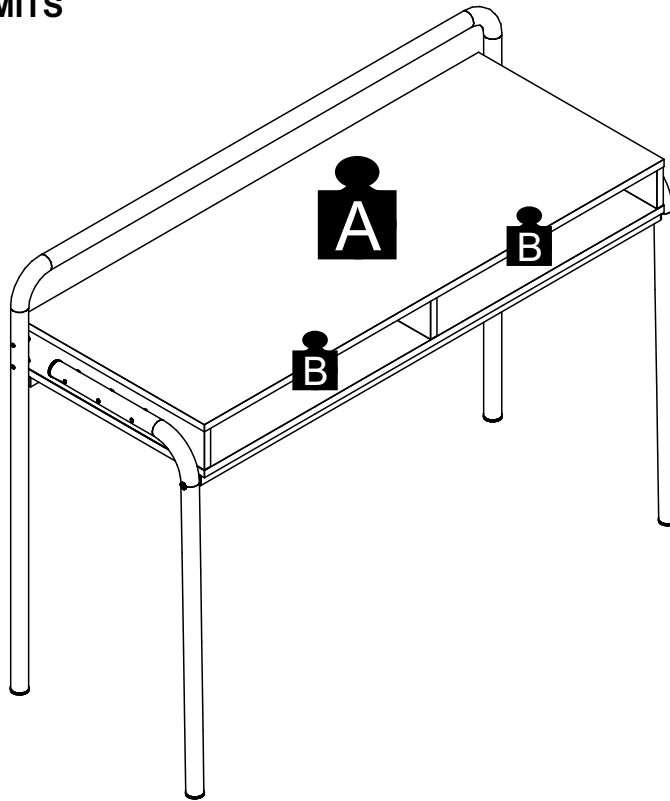




ALL DONE!

Give yourself a nice pat on the back. You did a great job!



CARE, MAINTENANCE AND SAFETY WARNINGS:**WEIGHT LIMITS**

A = 22 Lbs. (10 Kg)

B = 11 Lbs. (5 Kg)

- Do not exceed the indicated weight limits.
- Do not expose the surfaces to direct sunlight or to extreme environmental conditions.
- Clean the surfaces preferable with a clean cloth damped in a solution of mild soap and water, then dry with a clean towel.
- Do not use solvents or abrasive materials to clean the unit.
- If you decide to use a cleaning agent, test first on an area hidden from view such as underneath the tabletop.
- Do not sit on the unit or lean against it.
- Do not allow small children to play under or over the unit.
- Do not pull, push or drag the unit to move it for more than 1 feet. The unit must be lifted by at least 2 persons when moving in the same or adjacent rooms.
- Before moving the unit, make sure to secure or remove any object that is heavy or might fall off.
- When lifting the unit, use both hands and bend your knees, not your backs.
- Always get another person to help you when removing and re-locating the unit somewhere else.
- Shall any part of the unit become defective during the warranty period, replacement parts might be available to you at no charge. Please refer to the last pages on this manual.
- The warranty does not extend to regular wear and tear, nor the manufacturer assumes liability for damages or consequences due to accidents, incorrect assembly, negligence, improper use, modifications, or not heeding the above warnings.

TECHNI MOBILI DESK WARRANTY

DESKS/LAPTOP CARTS/FILE CABINETS: LIMITED 5-YEAR WARRANTY

RTA Products, LLC warrants to the Original Purchaser who acquired a new product from RTA Products or its authorized resellers that this product will be free from defects in its workmanship and materials, under normal use and service conditions, as described herein. "Defects" as used in this warranty, is defined as any imperfections that impair the use of the furniture or product. RTA Products LLC will replace any defective part, at its discretion, and without charge to the original purchaser other than the freight from the end consumer to RTA Products.

Replacement parts can only be supplied if parts are available. Items out of production may be unavailable. This warranty will be effective for the applicable time period beginning the date of purchase on your original sales receipt. RTA product's obligation under this warranty is limited to repairing or replacing products or parts as provided herein. This product has been designed for and is intended for office and home-office use only. This warranty is Original Purchaser's sole remedy for product defects, and this warranty does not extend to any product, or damage to any product, caused by or attributed to abuse or misuse, products used for commercial or rental purposes, use modifications of, or attachments to the product, and products or parts not used, maintained, or extended hereunder is in lieu of any and all other warranties, express or implied, including without limitations any implied warranty or merchantability or of fitness for a particular purpose. Please note, all desks made with PVC Laminate surface should not be exposed to direct sunlight, as it may damage the material. Damage of this nature is not covered under this warranty.

RTA Products will not be responsible for indirect, special, incidental or consequential damages. This warranty is limited to merchandise purchased in the Continental United States, excludes AK, HI and PR. Some States do not allow the exclusion or limitation of incidental or consequential damages, so the above limitations or exclusions may not apply to you. This warranty gives you specific legal rights. You may also have other rights that may vary from state to state.

RTA Products will advise you of the procedure to follow in making warranty claims. The following are the procedures for warranty claims:

- a. Call us Monday –Friday, from 9am-5pm (Eastern Time) at (866) 782-5520 to explain the defect and give your name, address and phone number. Please have ready the model number of our product, date and place of purchase. You can also write to us by e-mail to warranty@rtaproducts.com and include the same information.
- b. If we determine that replacement will remedy the situation, and in order to determine the extent or the cause of the defect, purchaser will need to send the part in question at purchaser's expense. Once we receive the part, we will examine it and determine whether the claim is valid (or not), and then proceed to send the replacement. We will ship the replacement at our expense.

FOR SEVERAL HELP OPTIONS INCLUDING REPLACEMENT PARTS ORDERS

VISIT: WWW.TECHNIMOBILI.COM



CLICK ON SUPPORT TAB



Scan QR Code to order replacement parts

OR EMAIL US: SUPPORT@RTAPRODUCTS.COM

