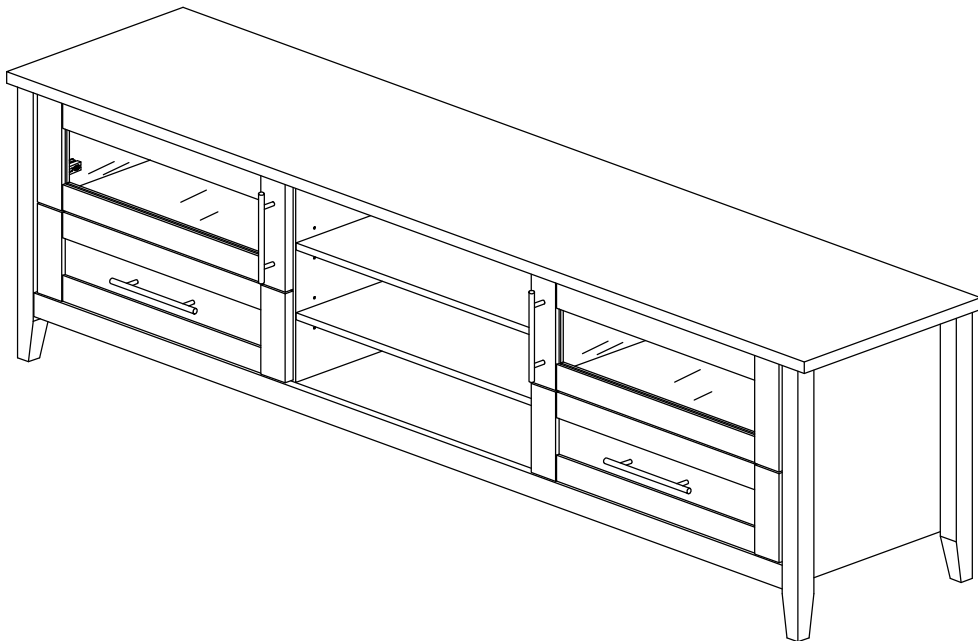


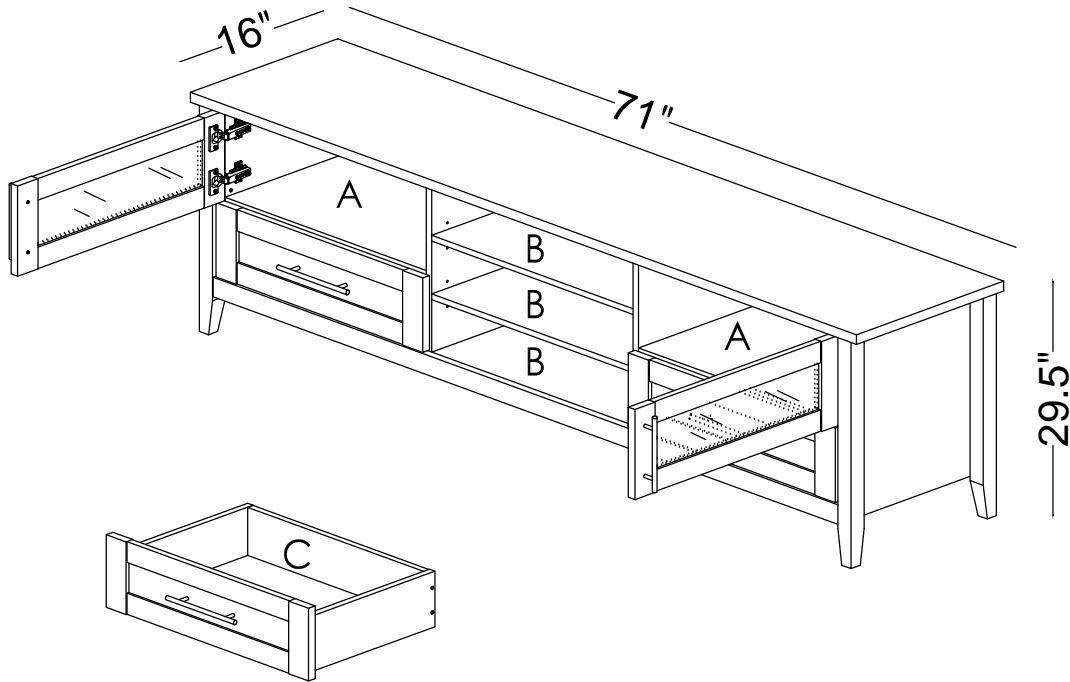
# ASSEMBLY INSTRUCTIONS



MODEL RTA-8818

Thanks for purchasing one of our products.  
Please read carefully the assembly instructions before the installation.  
Please save this manual for future reference.





### GENERAL SPECIFICATIONS

WIDTH : 71"

DEPTH : 16"

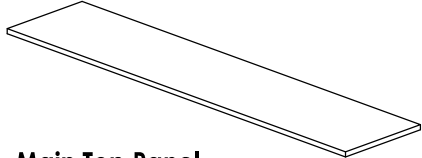
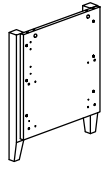
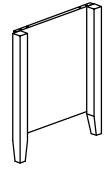
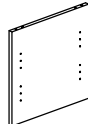
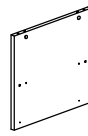
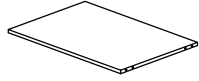
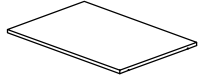
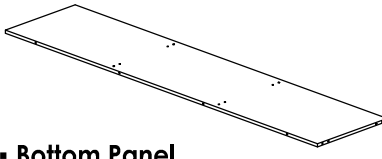
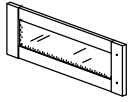
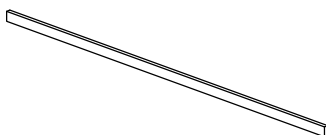
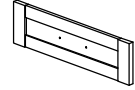
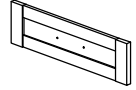
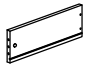
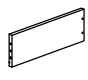

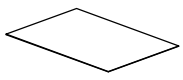
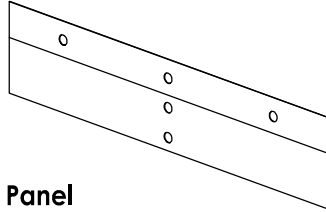

HEIGHT : 29.5"

PRODUCT NET WEIGHT : 119 Lbs

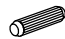






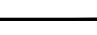
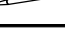
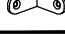
SHIPS IN 1 BOX



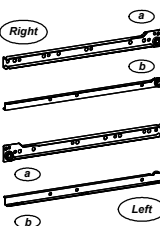
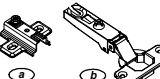



	INTERNAL DIMENSIONS (WxDxH)	WEIGHT LIMIT
TOP	N/A	90 LBS
STORAGE A	21.5" x 14.75" x 8.75"	19 LBS
STORAGE B	21.5" x 14.75" x 5" (adjustable height)	19 LBS
DRAWER C	19.25" x 13" x 6"	10 LBS



•PARTS LIST

<p><b>A</b></p>  <p>▪ Main Top Panel</p>	<p><b>B</b></p>  <p>▪ Side Panel Left</p>	<p><b>C</b></p>  <p>▪ Side Panel Right</p>	<p><b>D</b></p>  <p>▪ Stand Panel Left</p>	
<p><b>E</b></p>  <p>▪ Stand Panel Right</p>	<p><b>F</b></p>  <p>▪ Partition Panel x 2</p>	<p><b>G</b></p>  <p>▪ Shelf Panel x 2</p>	<p><b>H</b></p>  <p>▪ Bottom Panel</p>	
<p><b>I</b></p>  <p>▪ Door x 2</p>	<p><b>J</b></p>  <p>▪ Bottom Cross Bar</p>	<p><b>K</b></p>  <p>▪ Drawer Front Panel Left</p>	<p><b>L</b></p>  <p>▪ Drawer Front Panel Right</p>	<p><b>M</b></p>  <p>▪ Drawer Side Panel Left x 2</p>
<p><b>N</b></p>  <p>▪ Drawer Side Panel Right x 2</p>	<p><b>O</b></p>  <p>▪ Drawer Back Panel x 2</p>	<p><b>P</b></p>  <p>▪ Drawer Bottom x 2</p>	<p><b>Q</b></p>  <p>▪ Back Panel</p>	
<p><b>U</b></p>  <p>▪ Leg x 2</p>				

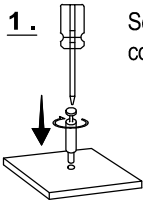
**•HARDWARE**

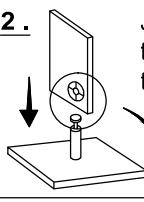
PART	QTY.	ITEM	
1	36Pcs	Wooden Pin	
2	24Sets	Cam Lock & Bolt Sets	
3	8Pcs	Screw - 5 x 8mm (Euro Screw)	
4	16Pcs	Screw - 3.5 x 15mm	
5	16Pcs	Screw - TP 10#x1/2"	
6	8Pcs	Screw - 4 x 38mm	
7	4Pcs	Screw - 5 x 38mm	
8	49Pcs	Nail	
9	4Pcs	L Bracket	
10	4Pcs	Plastic Feet	

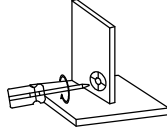
PART	QTY.	ITEM	
11	8Pcs	Metal Pin	
12	12Pcs	Plastic Cap	
13	2Sets	Sliders Sets	
14	4Sets	Door Hinge Set (Both parts come joined together)	
15	2Sets	Handle Set	
16	2Sets	Handle Set	
17	2Pcs	Screw Stud	

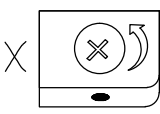
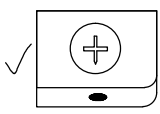
 • Cam Bolt    
  • Cam Lock    
 ■ BOLT INSTALLATION AS BELOW :

---

**1.**  Screw bolt into the corresponding panel.

**2.**  Join the panels by inserting the bolt into the hole with the cam lock.

**3.**  Turn the cam lock.

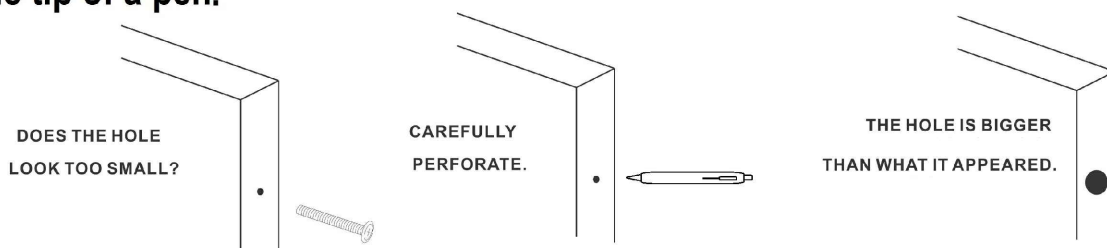
 INCORRECT: Turn cam lock    
  CORRECT:

■ Before assembling panels that use the cam bolt and cam lock, make sure that the cam lock is aligned to receive the bolt.

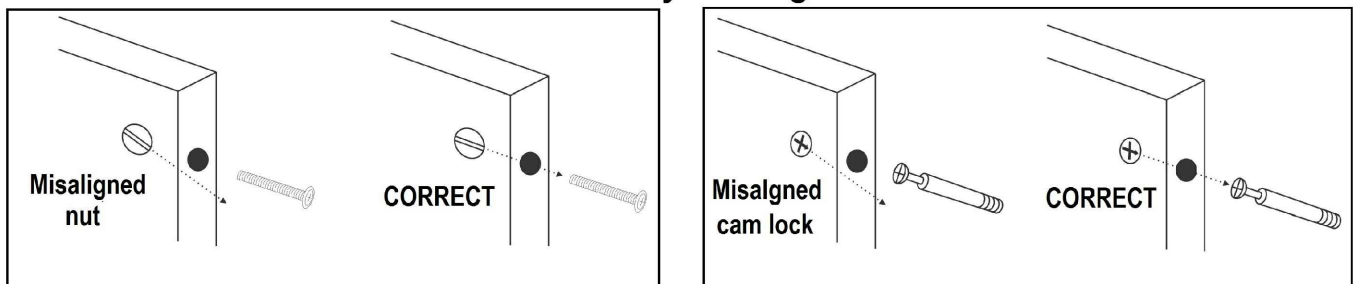
Attention : Holes on panels may be hidden underneath PVC laminate!!!  
 Do not tighten the screws until all of them are in the right position.

### GENERAL ASSEMBLY TIPS AND TROUBLESHOOTING DURING ASSEMBLY:

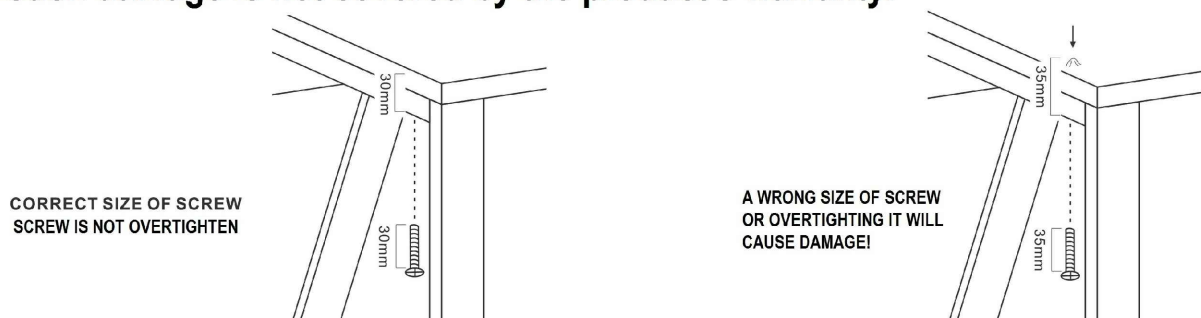
- \* Before you start assembling, make sure you have all the parts and necessary hardware by doing a quick inventory.
- \* Follow the assembly instructions step by step, and do not skip any unless advised to do so by RTA PRODUCTS' Customer Service.
- \* On each step, and to avoid misalignments, always leave screws loose, and do not tighten them until all are in place.
- \* In wood panels, the laminate might be covering the holes.  
If there are no visible holes: Pass the tip of your finger around the area where the hole should be, and press against the surface to feel the indentation.  
If the hole looks too small for the screw or bolt: carefully perforate the laminate with the tip of a pen.



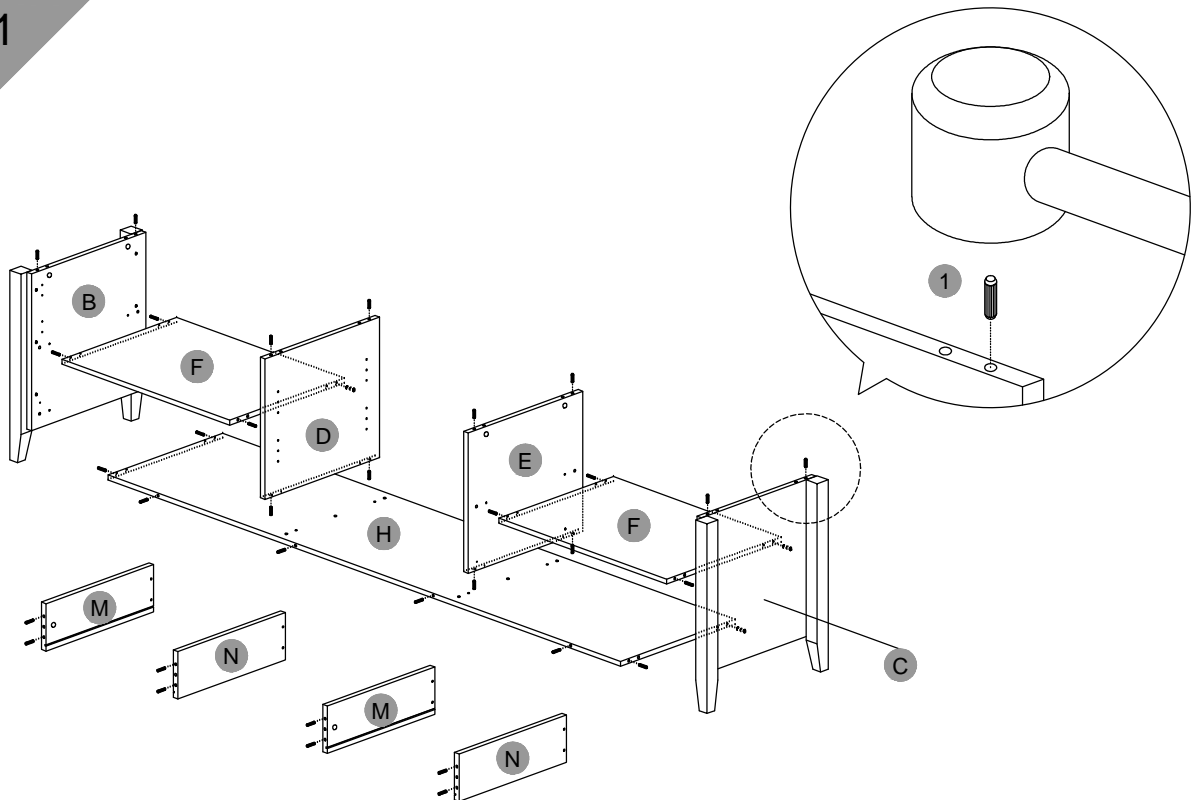
- \* In wood panels, some might have inserts that look like screws. Those inserts are either nuts or cam locks. Make sure they are aligned to receive the screws or bolts.



- \* Make sure to use the correct screws or bolts, and do not overtighten them. Using wrong screws or overtightening them might cause damage to the parts, and such damage is not covered by the product's warranty.

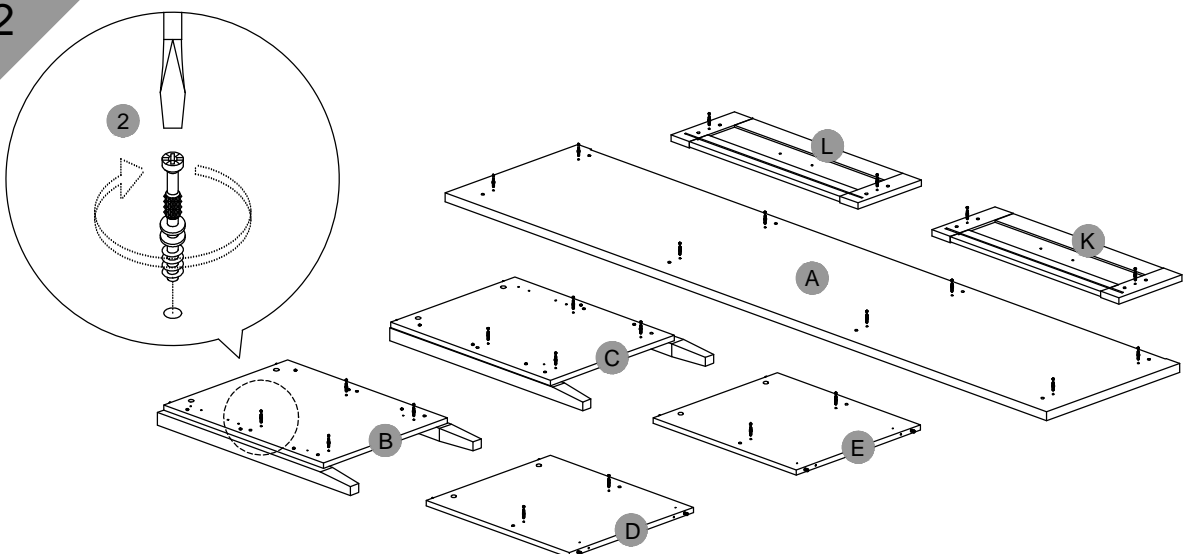


1



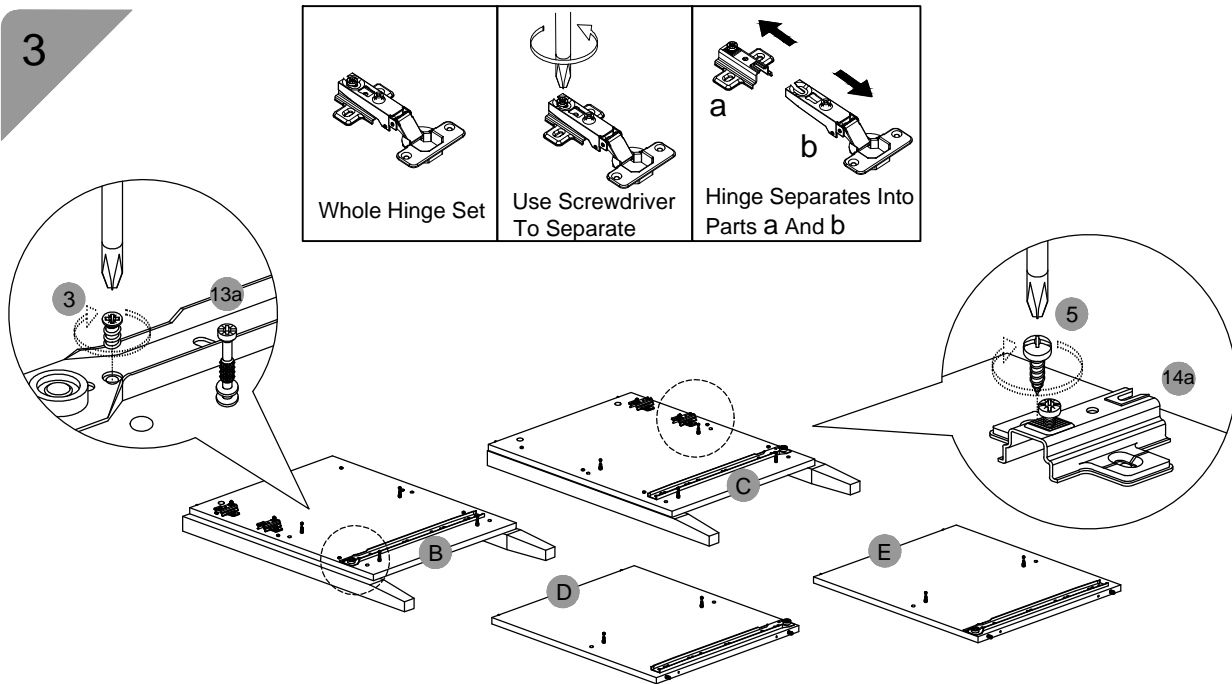
- Install 36pcs of Wooden Pins (1) into all panels as shown. Use a wooden hammer or light rubber hammer to avoid damage to the pins. Please pay close attention to which holes you have to use, and do not join any parts yet!

2



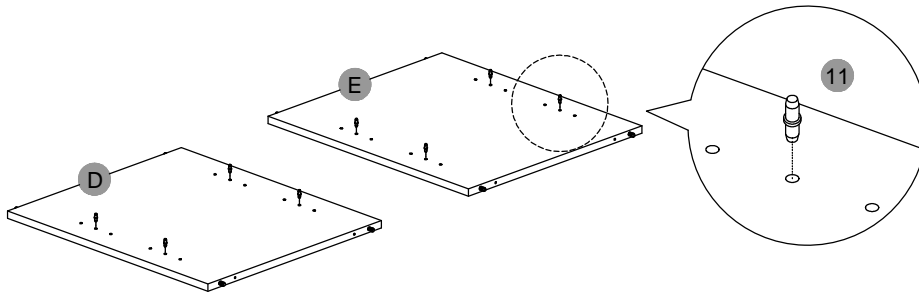
- Attach Bolt (2) to panels (A), (B), (C), (D), (E), (K) & (L) as shown above.

3



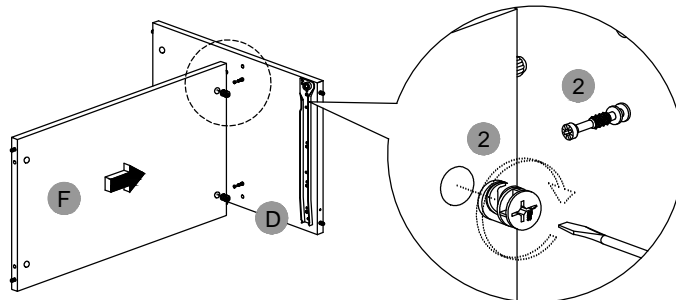
- Attach Sliders (13a) to panels (B), (C), (D) & (E) with screw (3) as shown above. Then, Attach Hinge (14a) to panels (B) & (C) with screw (5) as shown above. Pay attention to which side of (D) & (E) to use.

4



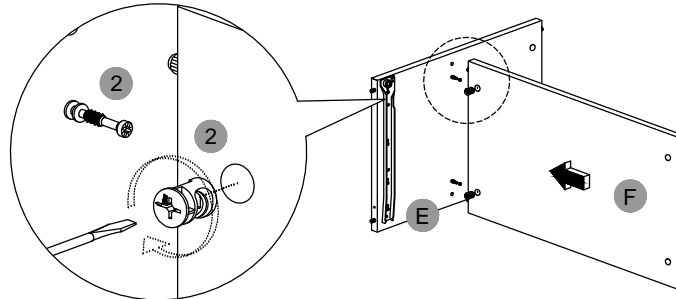
- Attach Metal Pin (11) to the other side of panels (D) & (E) as shown above.

5



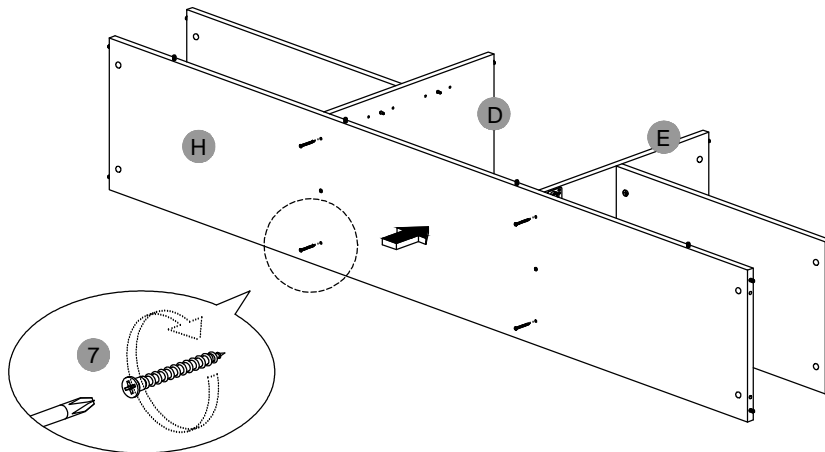
- Assemble both panels (D) & (F), secure with Cam Lock (2) as shown above. Pay attention to the orientation of panel (F)!

6



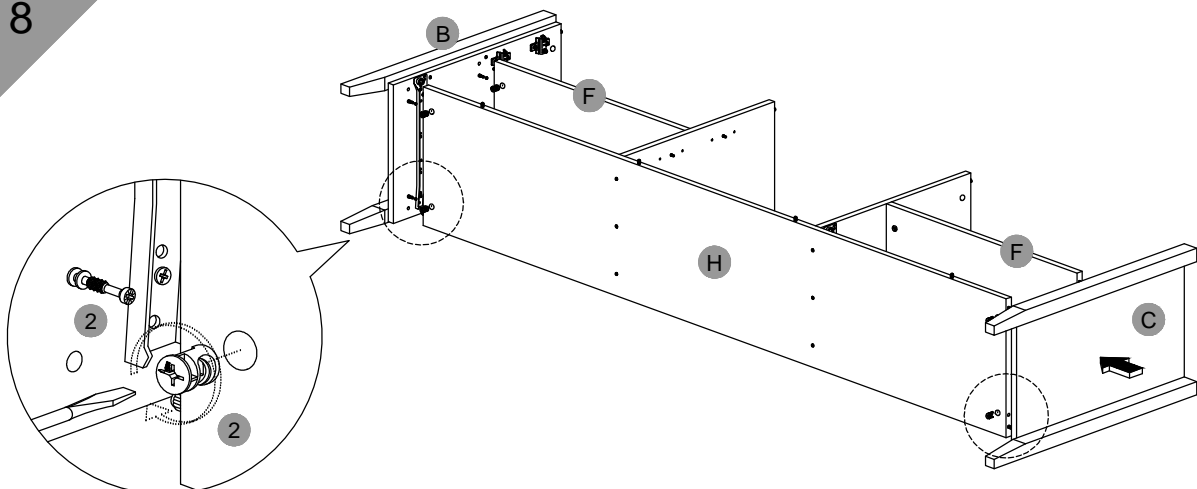
- Assemble both panels (E) & (F), secure with Cam Lock (2) as shown above. Pay attention to the orientation of panel (F)!

7



- Assemble panels (D), (E) & (H), secure with screw (7) as shown above. Pay attention to the orientation of panel (H)!

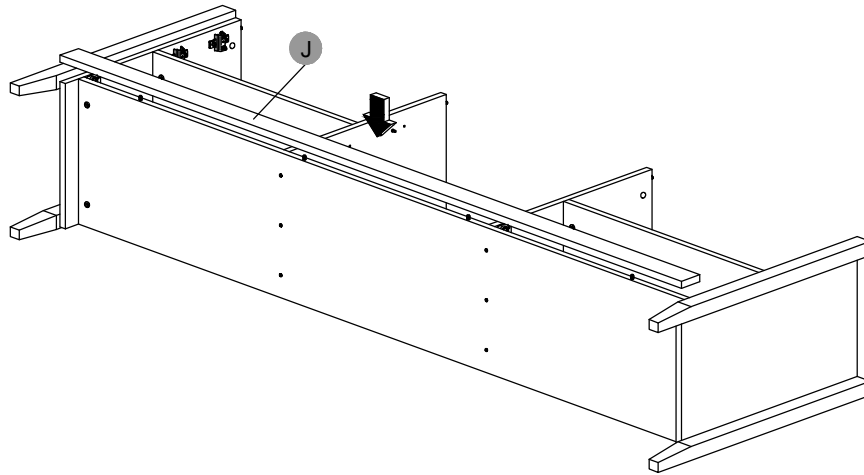
8



- Assemble panel (B) on the left, and panel (C) on the right, secure with Cam Lock (2) as shown above.

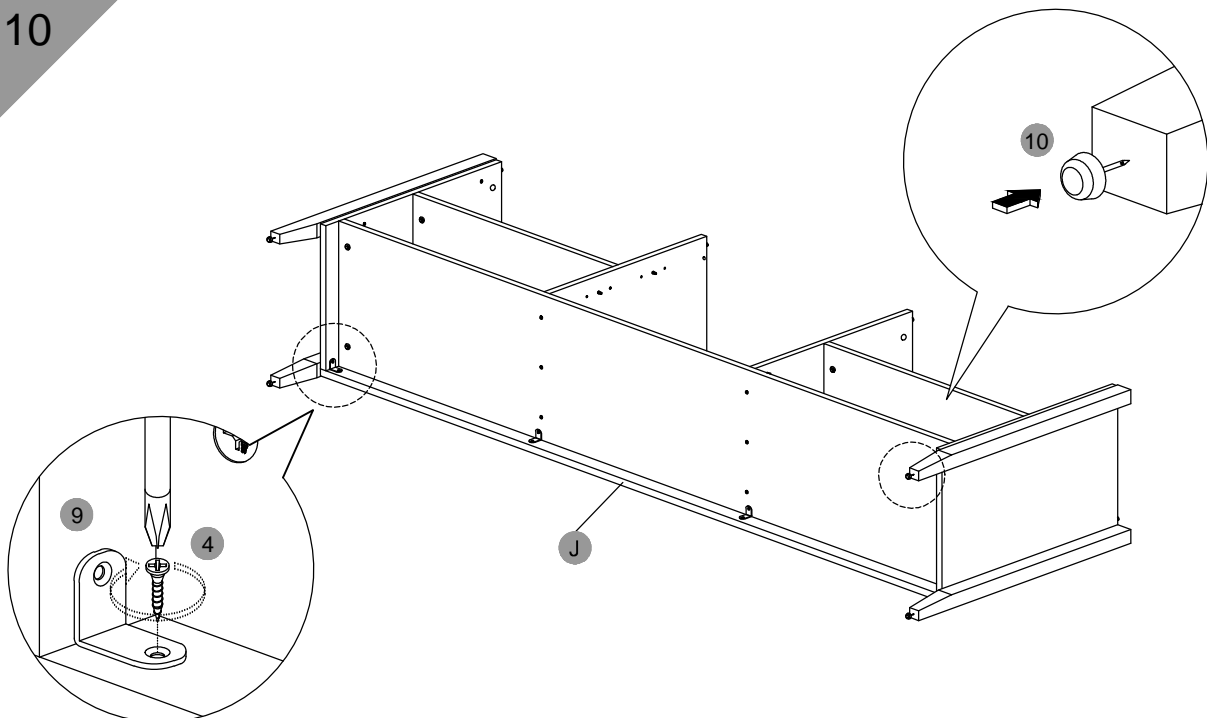


9



- Join panel (J) to bottom panel as shown above.

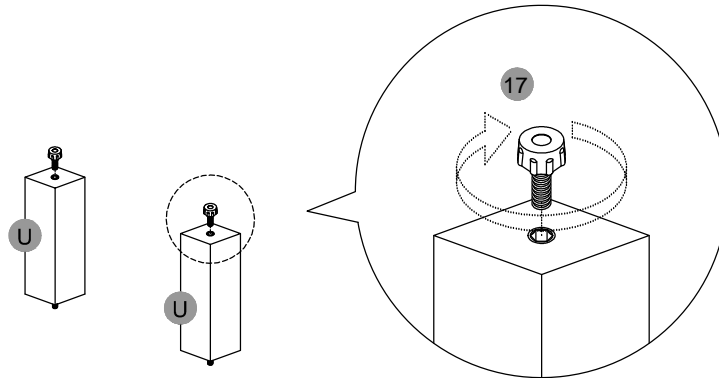
10



**Be careful if turning item over to do this step!**

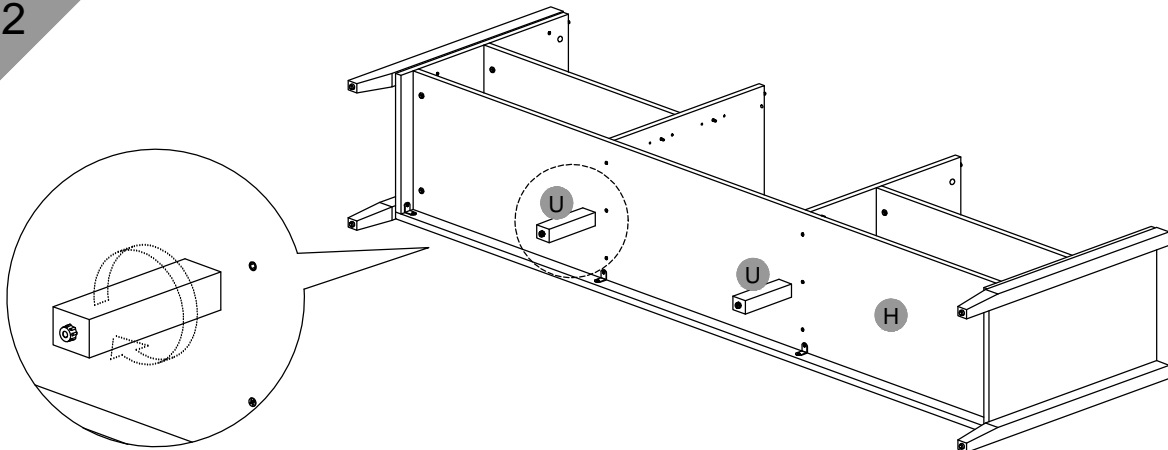
- Secure the panel (J) to the bottom and sides of the stand using L brackets (9) and screws (4) as shown, then attach the Plastic Feet (10).

11



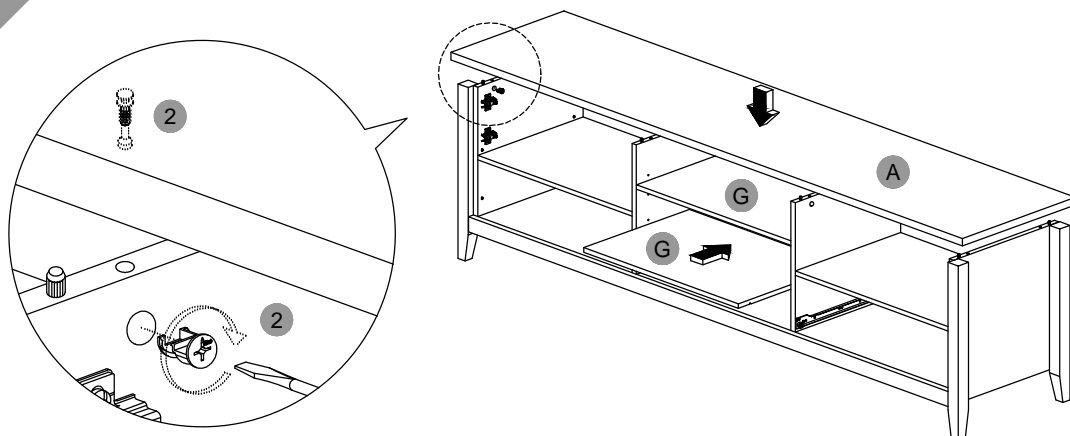
- Install Screw Stud (17) to leg (U) as shown.

12



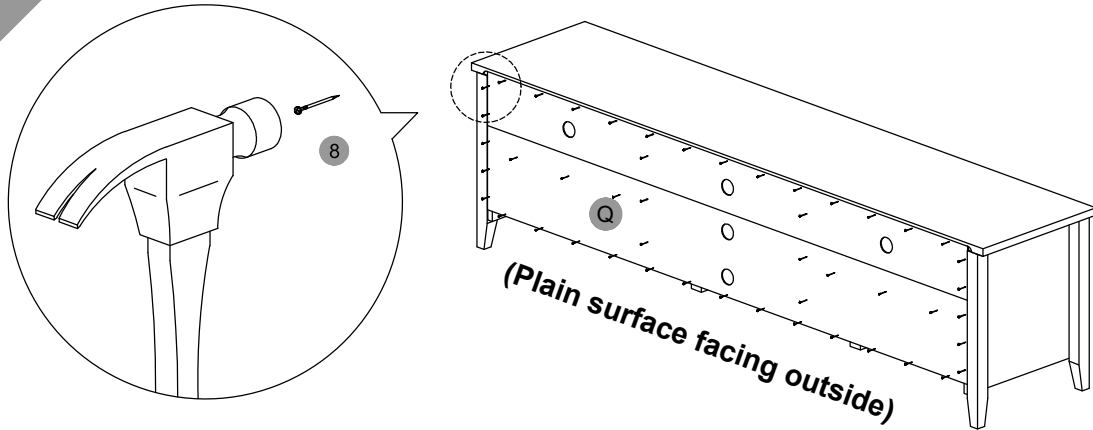
- Assemble leg (U) to panel (H) as shown above.

13



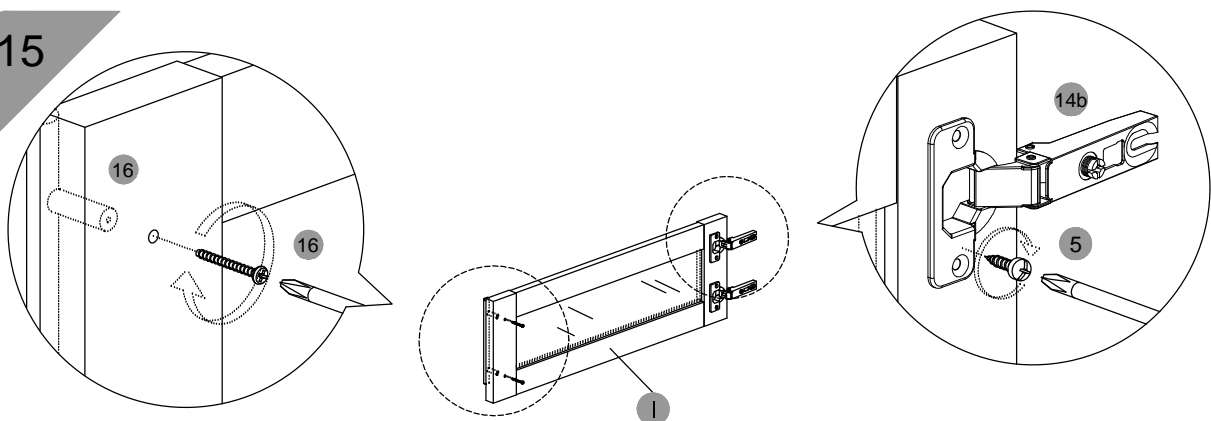
- Assemble top panel (A), Secure with Cam Lock (2). Insert both panels (G) into cabinet as shown above.

14



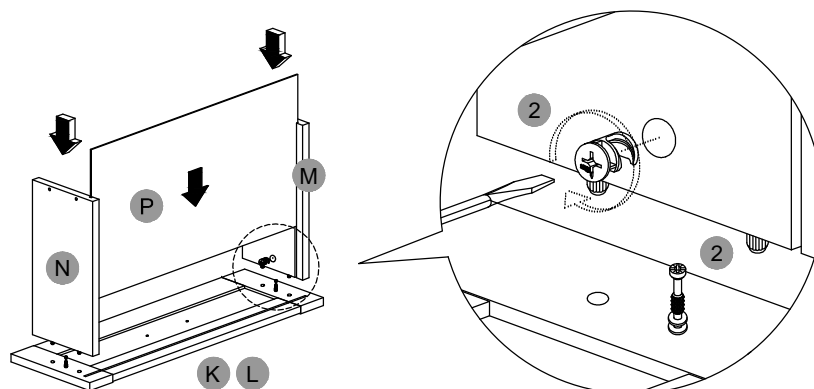
- Attach the back panel (Q) with its finished surface facing towards the inside of the stand, using Nails (8) as shown above. The plain surface will face the outside.

15



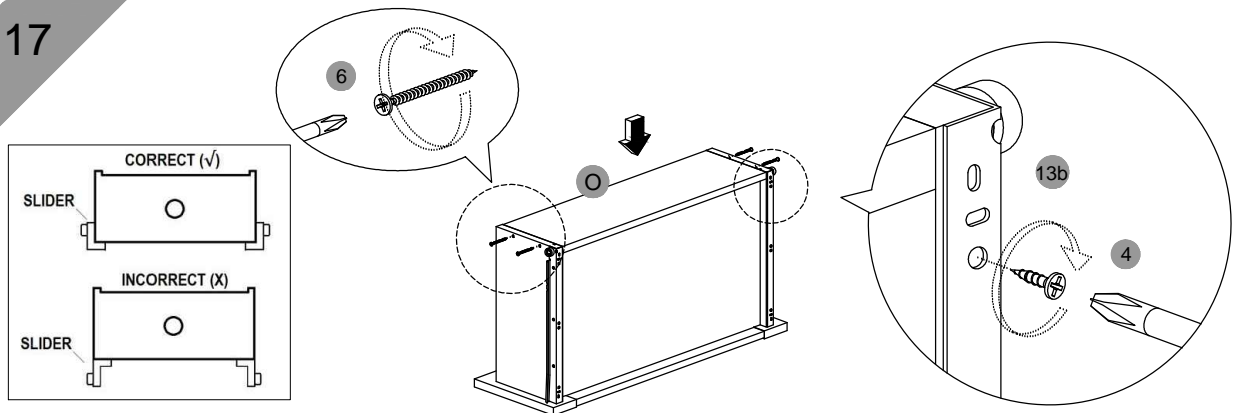
- Install Handle (16) & Hinge (14b) to both door (I) as shown above.

16



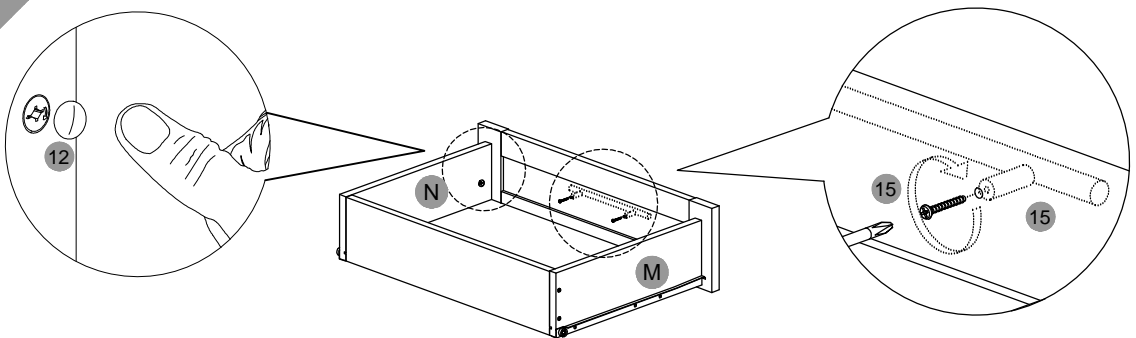
- Assemble drawer panel (K) to (M) and (N) with cam lock (2), then insert drawer bottom (P) in between the 3 panels as shown above. Repeat for second drawer with panels (L), (M) and (N).

17



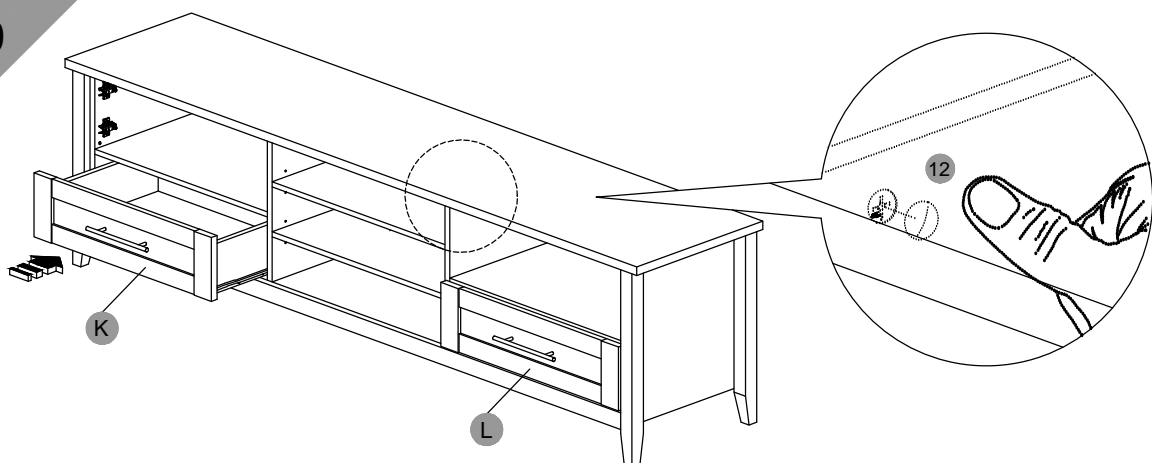
- Assemble drawer back (O) with screw (6). Install slider (13b) with screw (4) as shown above. Please pay close attention to the correct position of the sliders, if installed wrong, the drawers won't fit inside the stand!

18



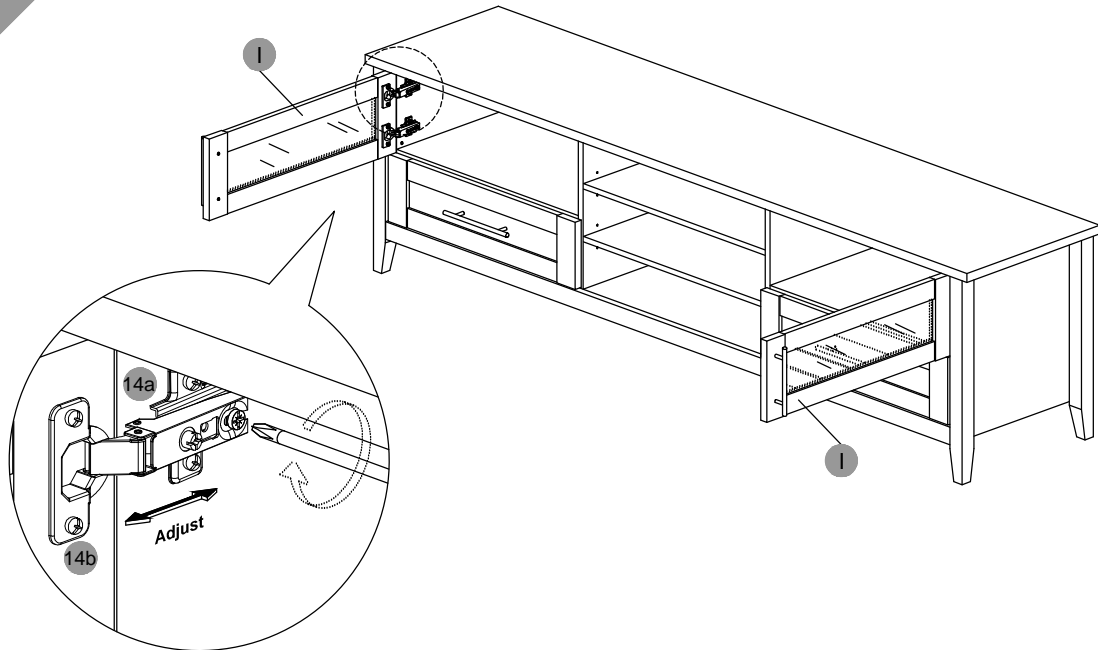
- Install Handle set (15) . Then place plastic Cap (12) to cover holes on panels (M) & (N) as shown above.

19



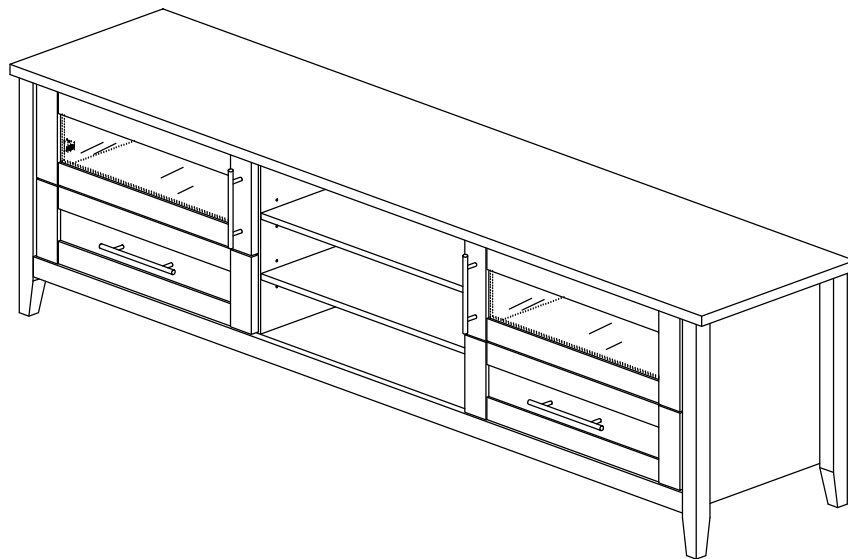
- Insert both drawers into cabinet. Place Plastic Cap (12) to cover holes on panels (B),(C),(D) & (E) as shown above.

20



Assemble the doors (I) to the stand, and adjust their alignment as shown above if necessary.

21



▪ Completed.

## **CARE AND MAINTENANCE**

**PLEASE READ THOROUGHLY**

- **Do not expose the surfaces to direct sunlight or to extreme environmental conditions. Damages caused by this kind of exposure is not covered by the product's warranty.**
- **Clean the surfaces preferable with a soft cloth damped with a solution of a mild soap and water, then dry with a clean towel.**
- **Do not use solvents or abrasive materials to clean any part of the unit.**
- **Do not allow children to play over or under the unit.**
- **Do not let children operate moving/mechanical parts or reach inside any of the compartments without your supervision.**
- **Before moving or transporting the unit:**
  - a) **Remove all objects from the tabletop, shelves, drawers or compartments that are heavy or might fall off.**
  - b) **If the unit is on wheels, make sure that they are unlocked.**
  - c) **If the unit is not on wheels, it must be handled by at least 2 persons. Use both of your hands and bend your legs, not your backs.**
- **In case of glass breakage (items with glass tops or parts) do not handle the broken glass with your bare hands, and notify the manufacturer, vendor or distributor immediately.**