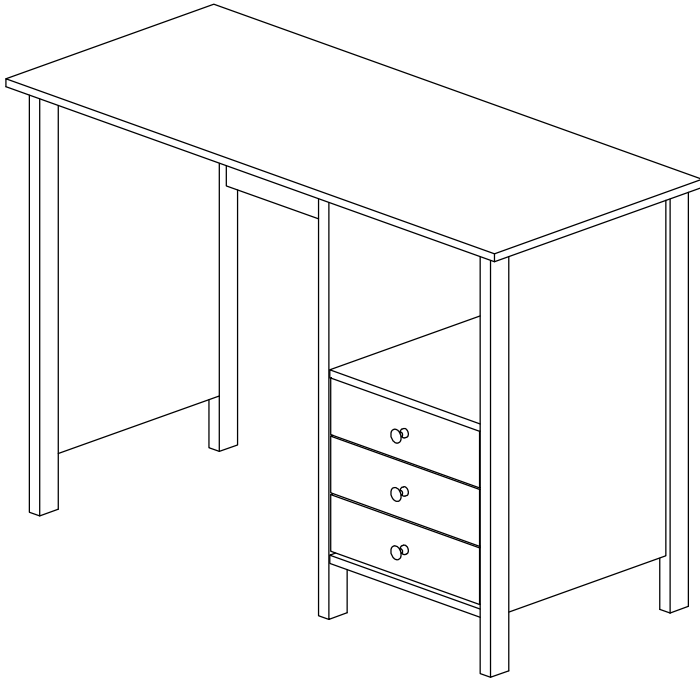


CONTEMPORARY DESK WITH 3 STORAGE DRAWERS

MODEL RTA-8407

ASSEMBLY INSTRUCTIONS

REV.FP-4-7530-0823

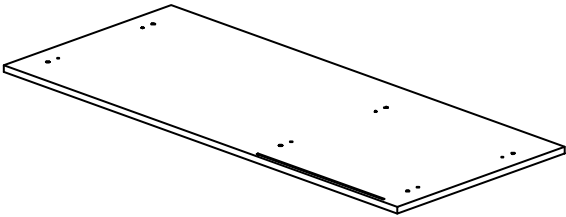
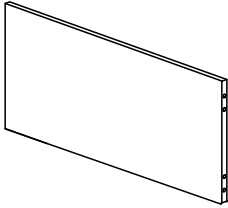
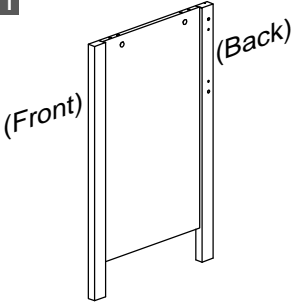
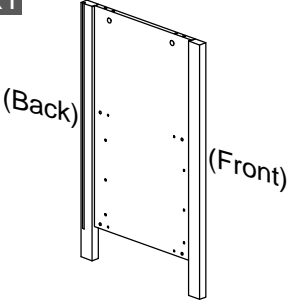
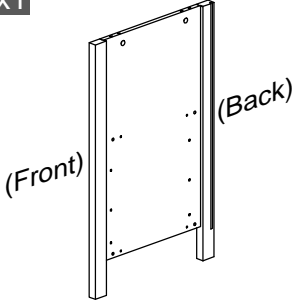
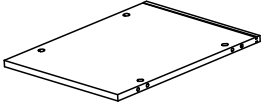
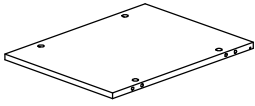
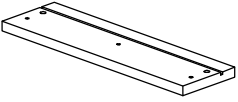
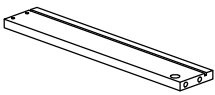
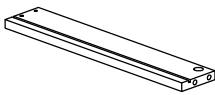
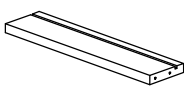
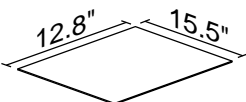
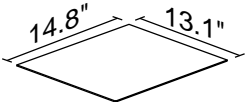
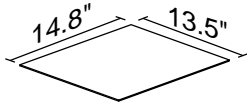


Thank you for purchasing our product

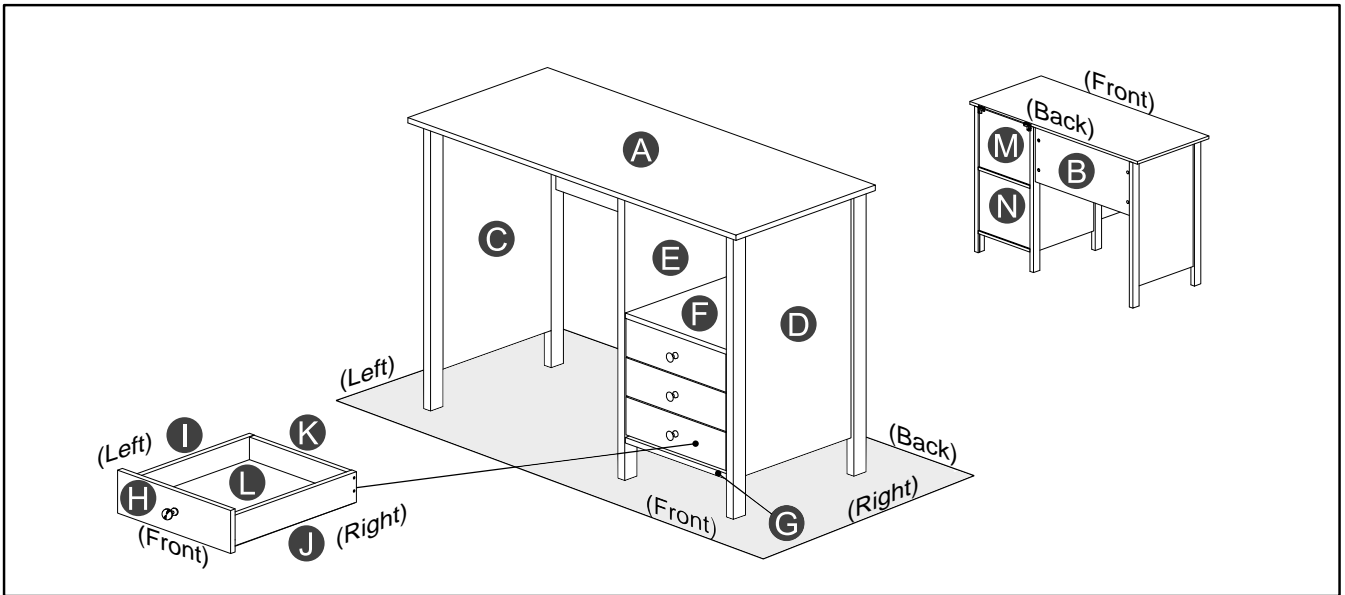


<p>Do a quick inventory of all the parts and hardware listed below.</p> 	<p>For Support, assembly questions & Replacement Parts within the 48 Contiguous United States:</p> <p>Please email us at: support@rtaproducts.com</p> 	<p>Replacement Parts for International Customers & AK-HI-PR orders: RTA Products will replace the part free of charge, while the customer is responsible for shipping costs plus any International local taxes or duties.</p>
---	---	---








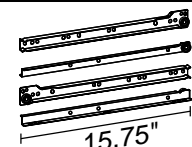

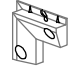

MAIN PARTS LIST

<p>A x1</p> <p>Tabletop</p> 	<p>B x1</p> <p>Left back panel</p> 	<p>C x1</p> <p>Left side panel</p> 
<p>D x1</p> <p>Right side panel</p> 	<p>E x1</p> <p>Middle side panel</p> 	<p>F x1</p> <p>Right shelf panel</p> 
<p>G x1</p> <p>Right bottom panel</p> 	<p>H x3</p> <p>Drawer front panel</p> 	<p>I x3</p> <p>Drawer left panel</p> 
<p>J x3</p> <p>Drawer right panel</p> 	<p>K x3</p> <p>Drawer back panel</p> 	<p>L x3</p> <p>Drawer bottom board</p> 
<p>M x1</p> <p>Right-Top back board</p> 	<p>N x1</p> <p>Right-bottom back board</p> 	

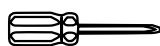
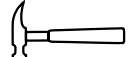

MAIN PARTS LAYOUT (For reference)



HARDWARE LIST AND INCLUDED TOOLS

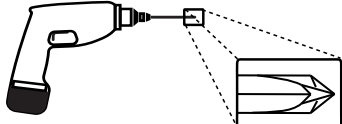
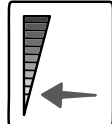
PART	QTY	SIZE / DESCRIPTION	ITEM
1	24	M8x20 Wooden Dowel	 0 10 20 30 40 50 60
2	24 Sets	M6x30 Cam lock and bolt	 0 10 20 30 40 50 60
3	12	M3.5x15	 0 10 20 30 40 50 60
4	4	M3x16	 0 10 20 30 40 50 60
5	12	M4x38	 0 10 20 30 40 50 60
6	12	Cover for cam lock	 0 10 20 30 40 50 60
7	12	M5x8 Euro screw	 0 10 20 30 40 50 60
8	3 Sets	Drawer sliders, Set of 4 pieces	 15.75"
9	3 Sets	Metal handle with screw	
10	2	Plastic corner bracket	
11	6	Nail-in glide stud	

TOOLS REQUIRED BUT NOT INCLUDED

Phillips Screwdriver	 ❌
Hammer	
Mallet	

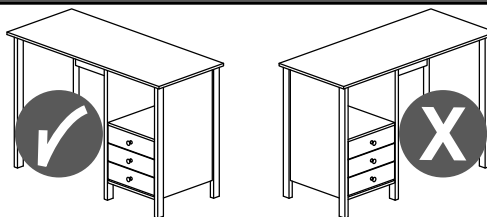
If you decide to use your own power driver:

- Make sure to have the appropriate hex or Phillips bits.
- Start using at a low torque or speed to avoid stripping the screws.

BEFORE YOU START THE ASSEMBLY, PLEASE READ THE FOLLOWING TIPS AND WARNINGS.

- The product is not reversible, it assembles **ONLY** as shown in the front page, with the drawers on the **RIGHT** side. The drawers cannot install on the **LEFT** side.



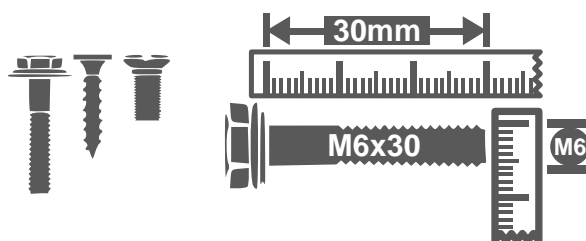
- Do not discard this manual or any of the packaging material until the unit is completely assembled.
- Please read the assembly instructions thoroughly and follow step by step.



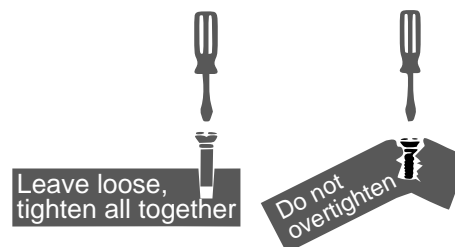
- The assembly might require of 2 persons for certain steps. Before you start the installation, make sure there is someone else nearby to help you.



- Make sure you understand which hardware will be used on each step. Using the wrong size of screw, bolt or pin might strip the threads or cause damage to the part in which it is being used.



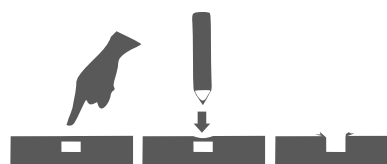
- To avoid misalignments, always leave the screws loosely and do not tighten them until all the pieces are positioned correctly.
- Do not overtighten or force the screws as they might break, strip, damage the threads of the holes, or get stuck inside the parts.



- If the hole seems to small for the screw, make sure you are using the correct size of screw and/or that you are installing it in the correct hole.



- Sometimes on the wood panels the laminate or material might be covering the hole partially or entirely, if there is no visible hole or if it looks too small, pass and press the tip of your finger over the area to feel its indentation, and carefully pierce the laminate to uncover the hole underneath.



- Please be kind to our planet, when done with the assembly, recycle any of the packaging materials that is accepted by your city or recycling service.



Thank you!



THE ASSEMBLY STEPS START ON NEXT PAGE

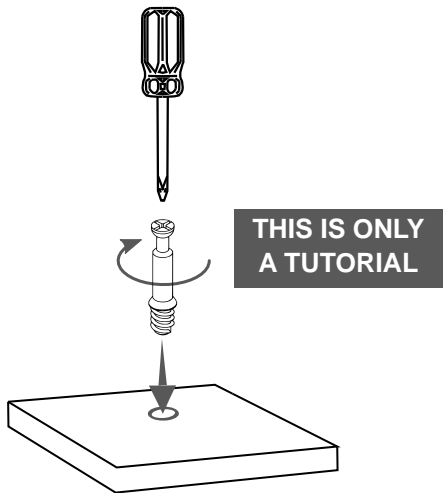
CAM BOLT AND CAM LOCK TUTORIAL

THE INSTRUCTIONS BELOW
ARE NOT ACTUAL ASSEMBLY STEPS



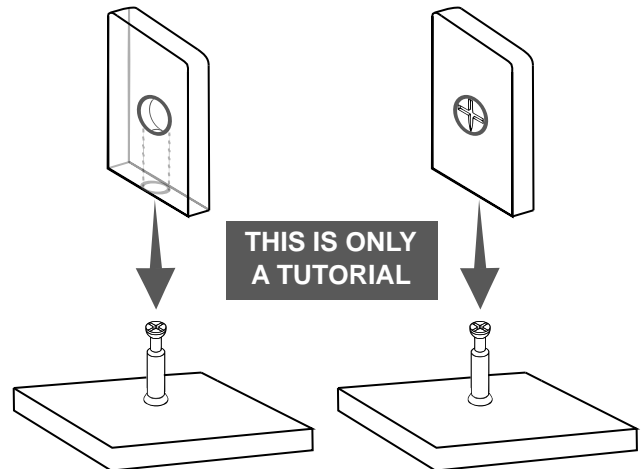
This unit uses cam bolts and locks (also known as mini fixes). If you are not familiar with this kind of hardware, the below is a tutorial that explains how to use them on the steps where they are required.

1. Screw the bolt into the indicated hole on the panel indicated in the assembly step.

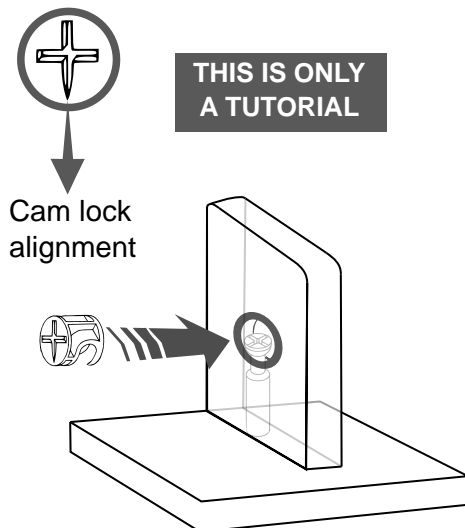


2. Join the other panel (with the big hole) to the panel with the bolt. If it comes with the cam locks already pre-installed, make sure to align them to receive the bolt's head (refer to point 3). There might be a very small gap between the panels which is normal.

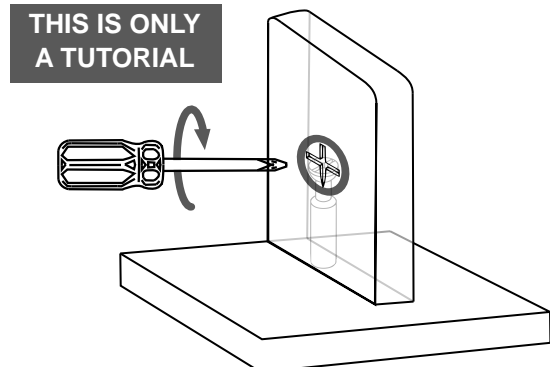
If the cam locks come pre-installed, make sure they are aligned (see point 3).



3. Insert the cam lock on the panel with the big hole making sure it goes aligned to receive the bolt's head.



4. Use a Phillips screwdriver to turn the cam lock clockwise. This will lock the panels together and also will close any gaps.

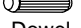


ASSEMBLY STEPS

WE RECOMMEND TO PLACE THE PIECES OVER BLANKETS TO PROTECT THEIR FINISH DURING ASSEMBLY.

STEP 1

Hardware

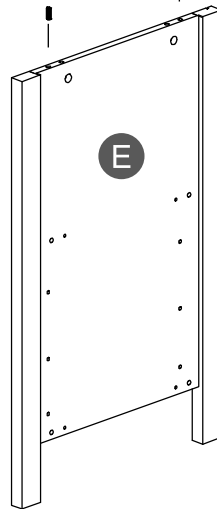
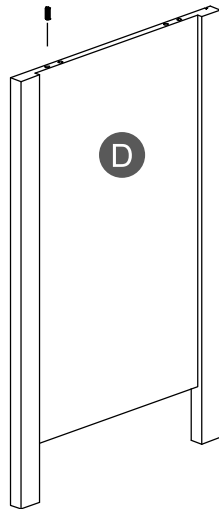
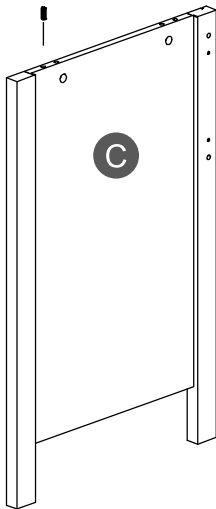
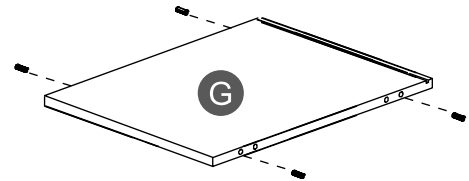
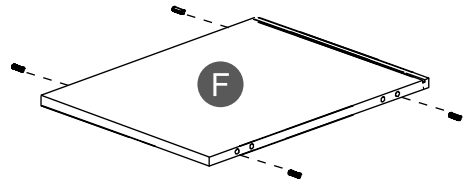
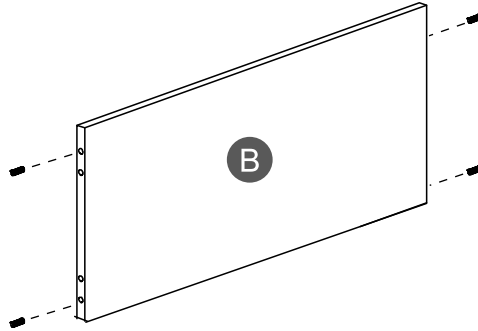
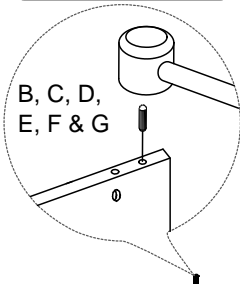
1  24 Pcs
Dowel

Tools (Not included)

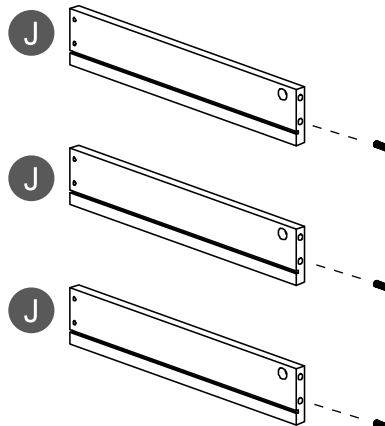
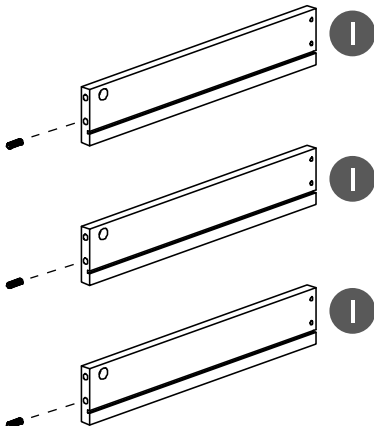
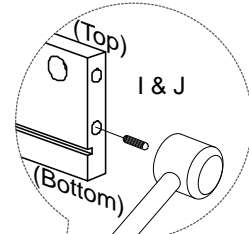


With a hammer or wooden/rubber mallet, install the dowels 1 into the indicated holes on panels B, C, D, E, F, G, I and J.

Closer to end

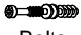



Lower hole

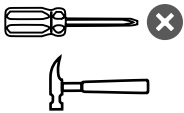


STEP 2

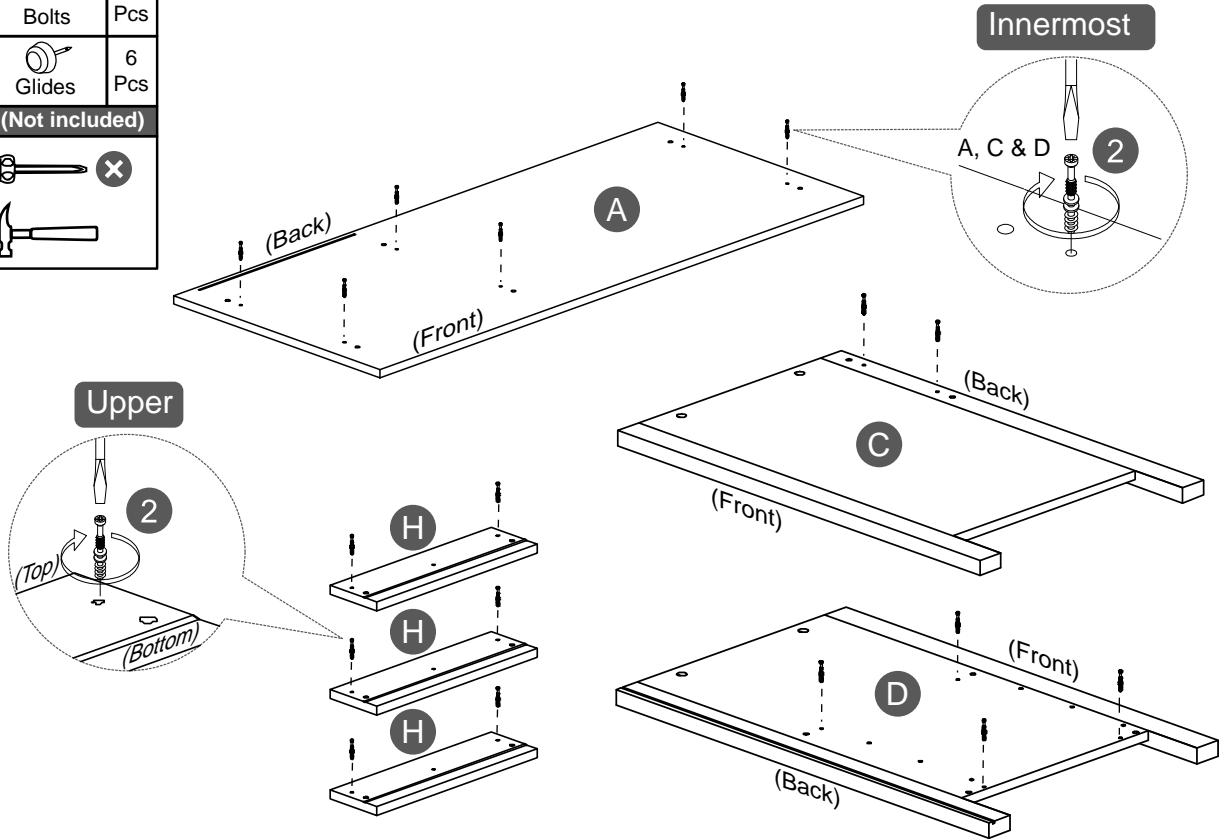
Hardware

2	 Bolts	24 Pcs
11	 Glides	6 Pcs

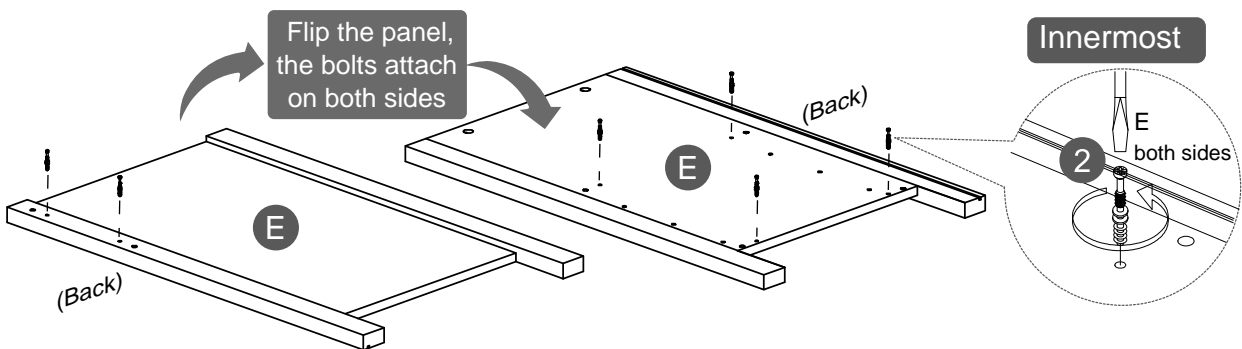
Tools (Not included)



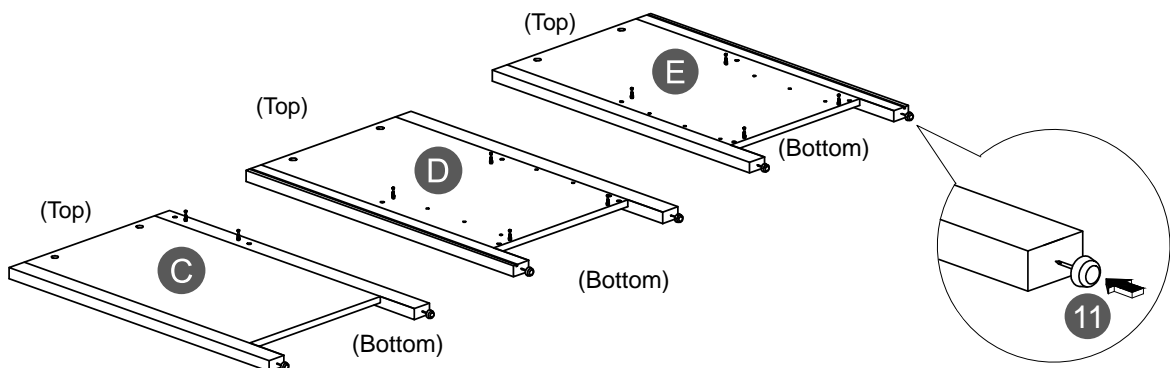
- Use a screwdriver to install the bolts **2** into the indicated holes on panels **A**, **C**, **D** and **H**.



- On panel **E**, install the bolts **2** into the indicated holes on both sides of the panel.


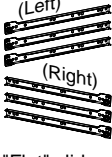


- Use a hammer to install the glide studs **11** to the bottom of the panels **C**, **D** and **E**.

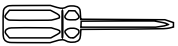


STEP 3

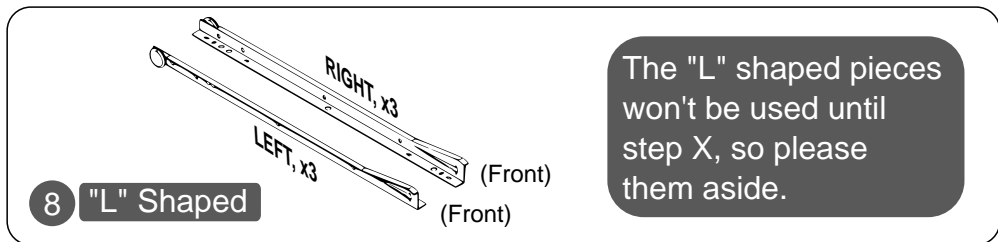
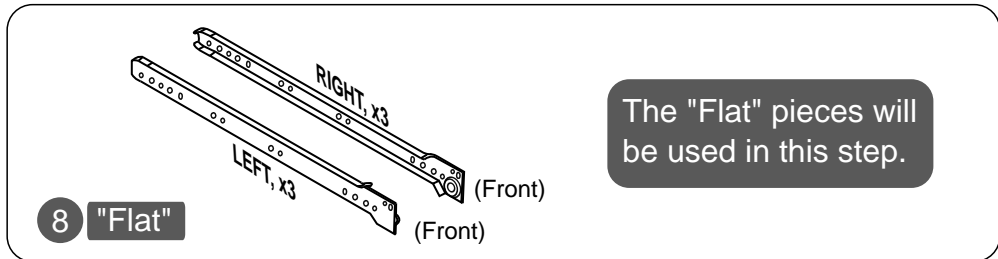
Hardware

7	 M5x8 (Euro)	12 Pcs
8	 (Left) (Right) "Flat" sliders	6 Pcs

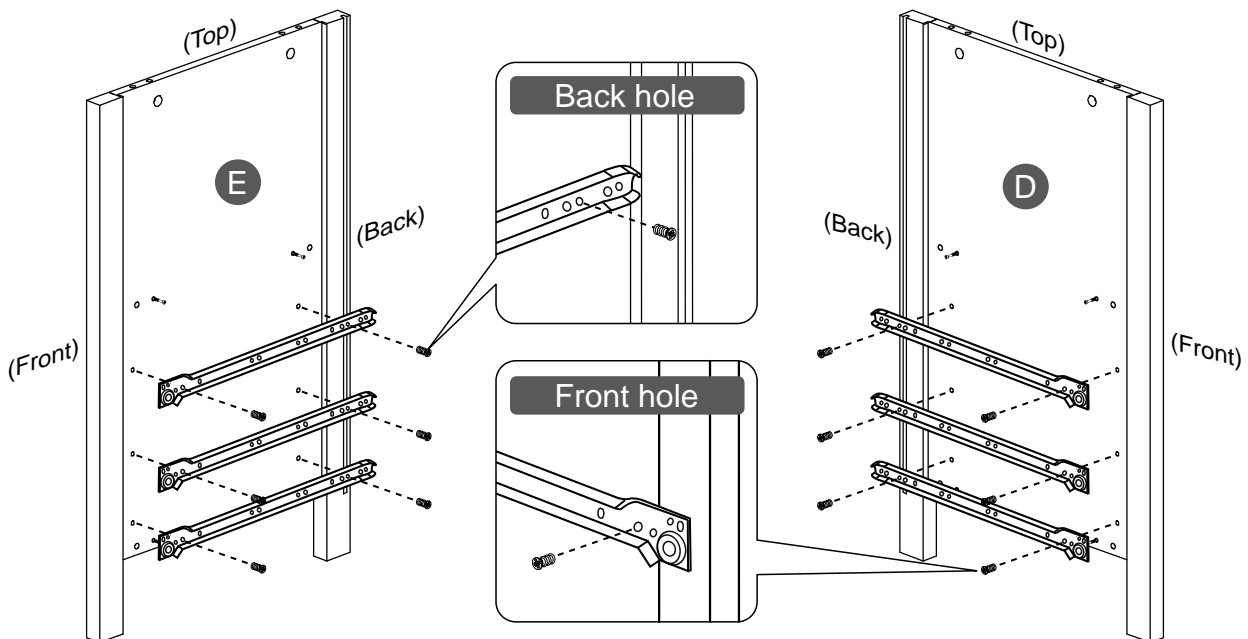
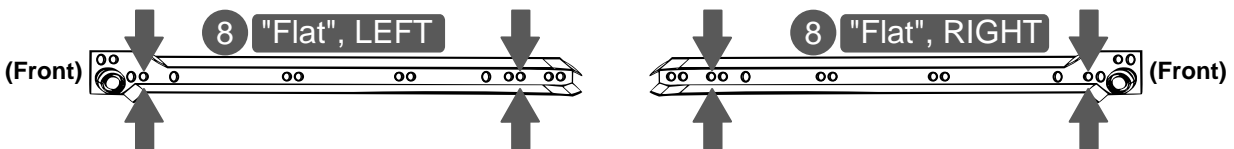
Tools (Not included)



- Grab all 3 sets of sliders **8** (total 12 pcs) and separate them according to their shape:
 - The "Flat" ones will be used on this step.
 - The "L shaped" (their profile looks like an "L") won't be used until step X, so set them aside.



- Use a screwdriver to install the "Flat" sliders **8** to the right panel **D** and the left panel **E** in the indicated holes, but please note the following:
 - Pay attention to the orientation of the panels, identify what is the top, bottom, front and back.
 - Pay attention to the orientation of the sliders, identify the front with the wheel.
 - Screw first at the FRONT, on the 4th hole .
 - There will be 2 empty holes above the wheel on the sliders.

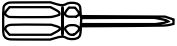


STEP 4

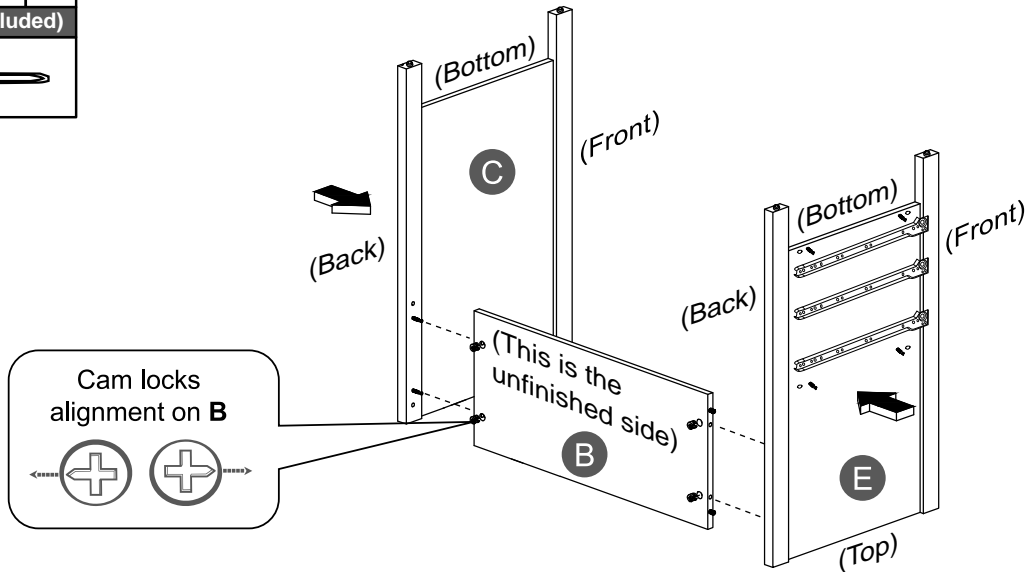
Hardware

2		4 Pcs
---	---	-------


Tools (Not included)



- With the pieces positioned upside-down and as shown, join the panels **C** and **E** to panel **B** with cam locks **2** as explained in the Cam Lock Tutorial Page.



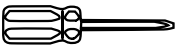
STEP 5

This step requires of 2 persons 

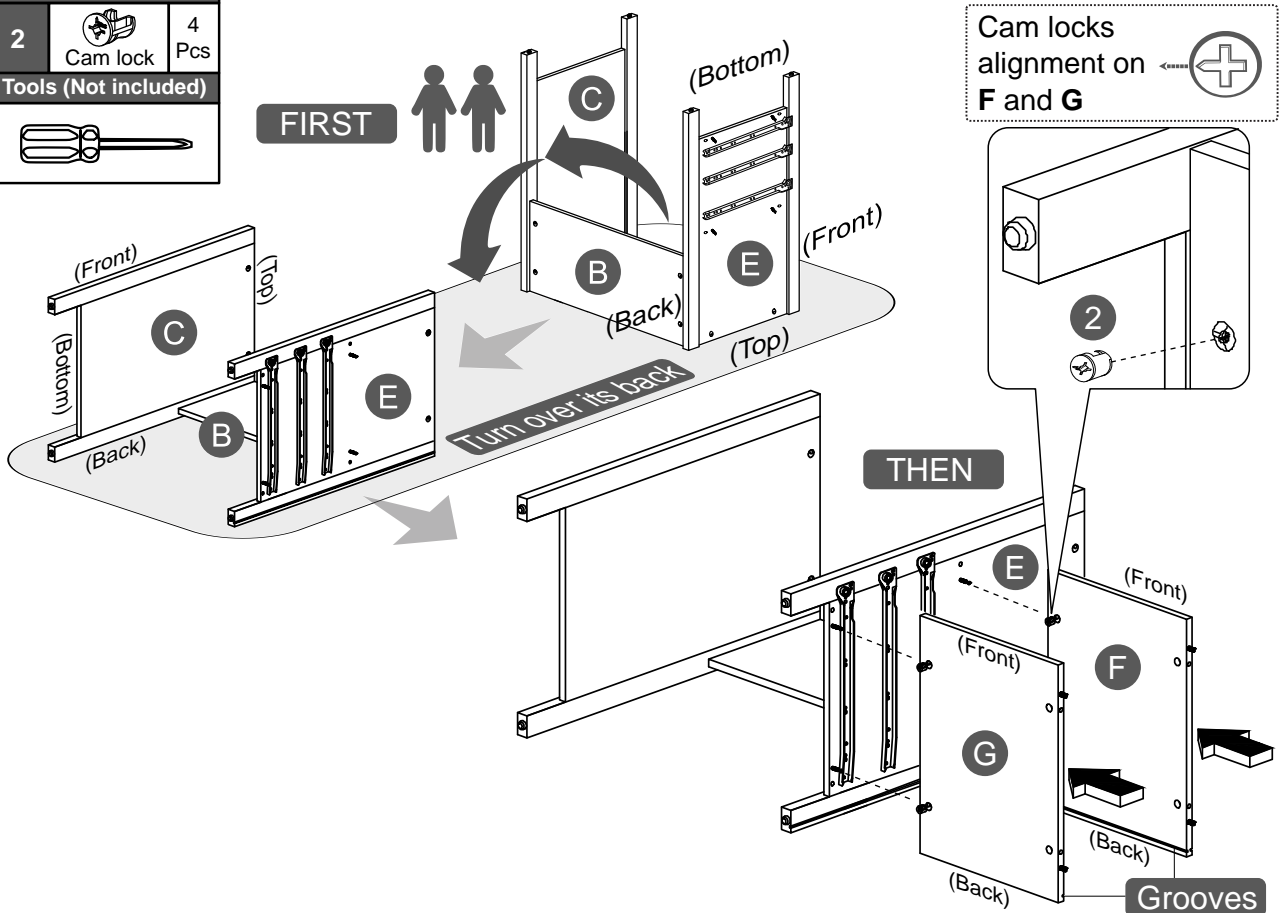
Hardware

2		4 Pcs
---	---	-------

Tools (Not included)



- With the help of nother person, turn the piece over its backs and assemble the shelf **F** and the bottom panel **G** with cam locks **2** as explained in the Cam Lock Tutorial Page.



STEP 6

This step requires of 2 persons



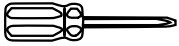
Hardware

2



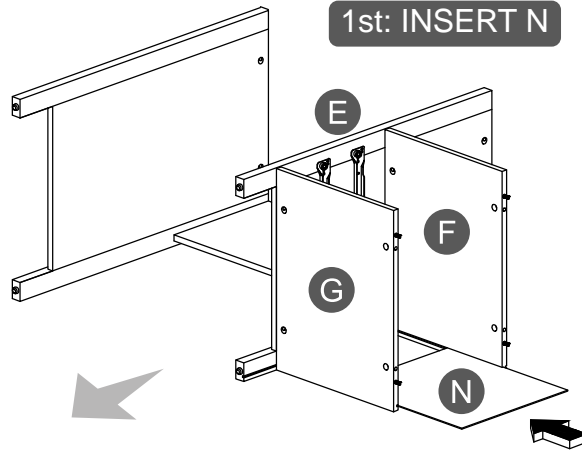
4 Pcs

Tools (Not included)

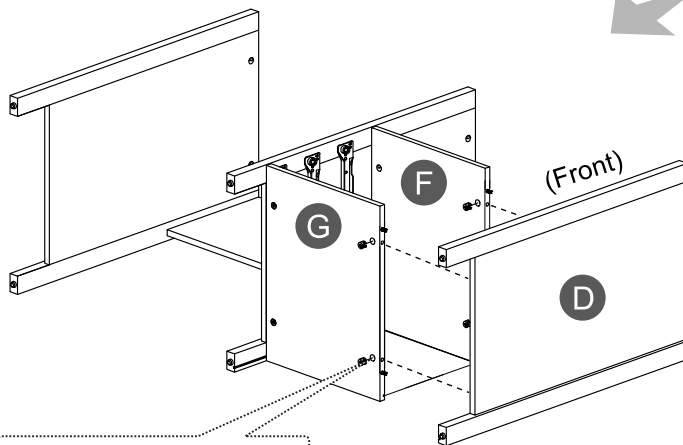


- First insert the right-lower board **N** through the grooves of panels **F** and **G**, and into the groove of panel **E**.
- Then assemble the right panel **D** to panels **F** and **G** with cam locks **2** as explained in the Cam Lock Tutorial Page.
- Finally, and with the help of another person, bring the unit upright.

1st: INSERT N

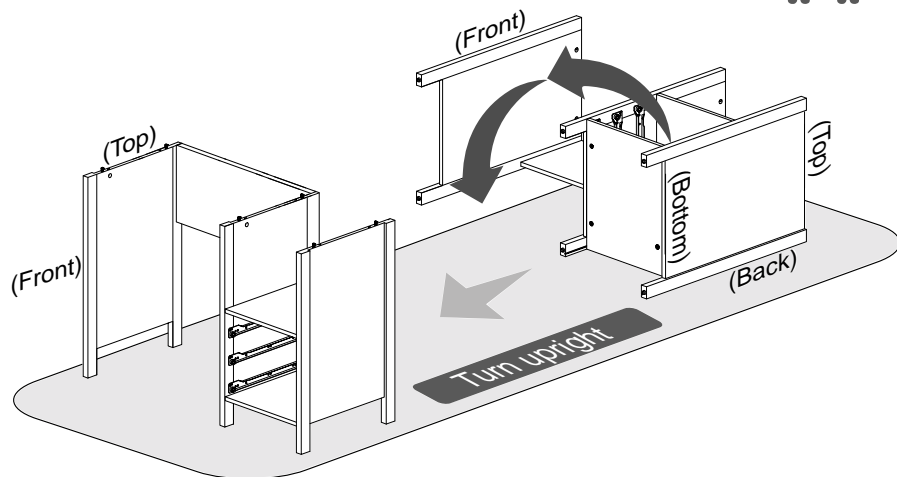


2nd: INSTALL D



Cam locks alignment on **F** and **G**

3rd: TURN UPRIGHT



STEP 7

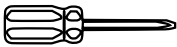
This step
requires of
2 persons



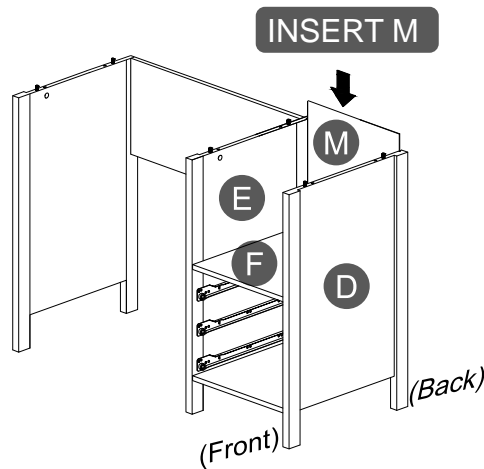
Hardware

2	Cam lock	6 Pcs
4	M3x16	4 Pcs
6	Cover	6 Pcs
10	Bracket	2 Pcs

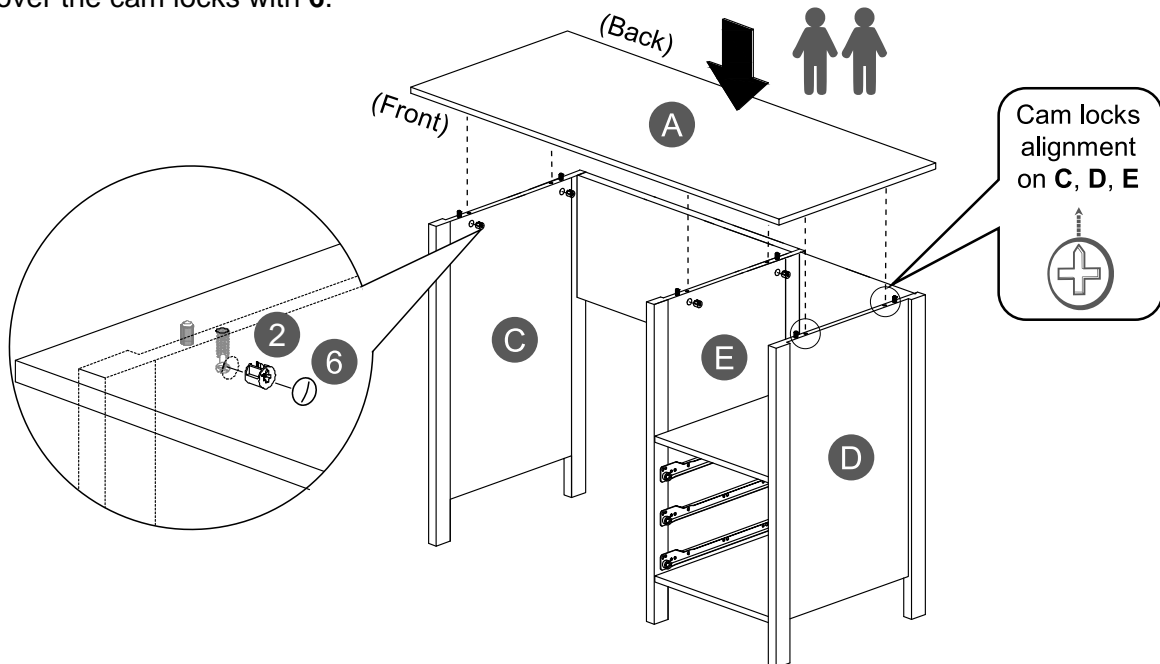
Tools (Not included)



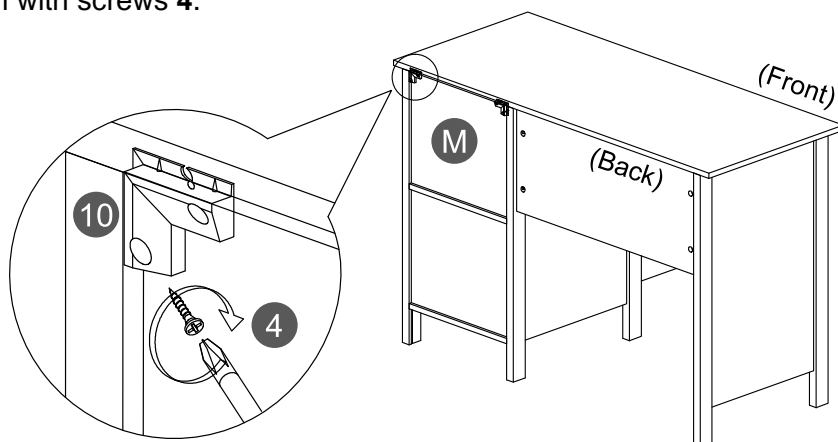
- Insert the right-upper board **M** through the grooves of panels **E** and **D**, and into the groove of panel **F**.



- With the help of another person, place the tabletop **A** over the frame and assemble it to the side panels **C**, **D** and **E** with cam locks **2** as explained in the Cam Lock Tutorial page.
- Cover the cam locks with **6**.


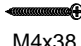



- On the back of the unit, insert the corner brackets **10** into the grooves of the 2 top corners and secure them with screws **4**.

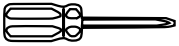


STEP 8

Hardware

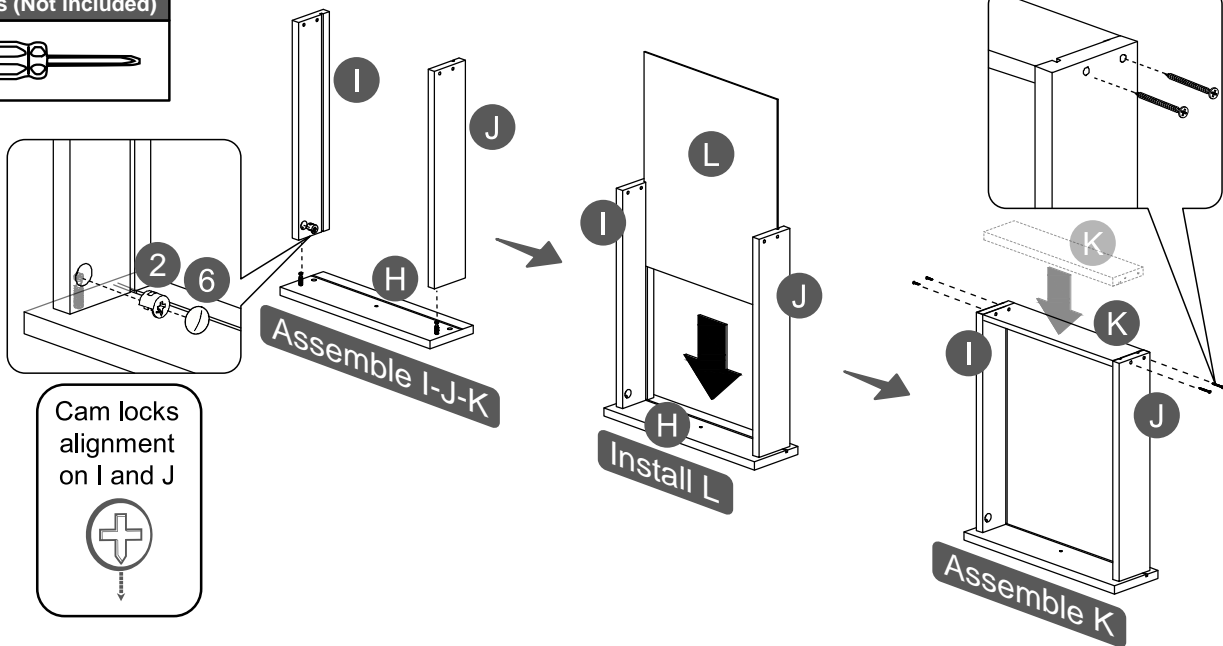
2		6 Pcs
5		12 Pcs
6		6 Pcs

Tools (Not included)



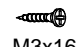


For each of the 3 drawers:

- Assemble the side panels **I** and **J** to the front panel **H** in their respective sides with cam locks **2** as explained in the Cam Lock Tutorial page.
- Cover the cam locks with **6**.
- Slide the bottom board **L** through the grooves of **I**, **J** and into the groove of **H**.
- Assemble the back panel **K** to the side panels **I**, **J** with screws **5**.

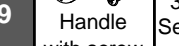


STEP 9

Hardware

3		12 Pcs
8		3 Left 3 Right
9		3 Sets

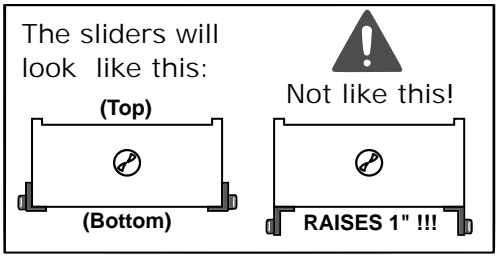
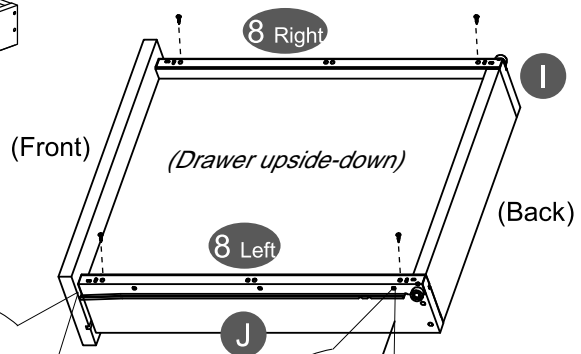
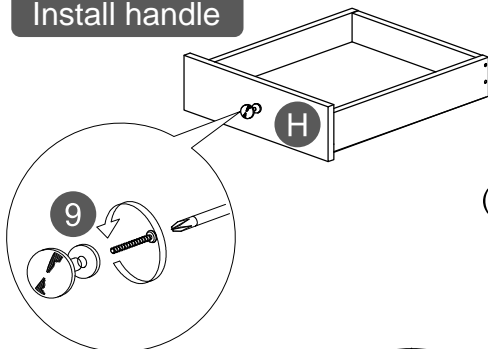
Tools (Not included)



For each of the 3 drawers:

- Assemble the handle **9** to the front panel **H** with its own screw.
- Flip the drawer upside-down and attach the "L" shaped sliders **8** with screws **3**, but please note that the wheels go facing towards the back of the drawer and they should not protrude from the side panels, otherwise, they would raise the drawers 1" and won't fit in the unit.

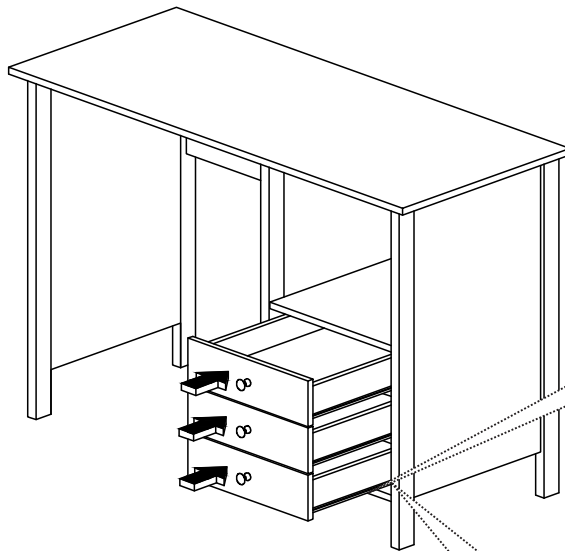
Install handle



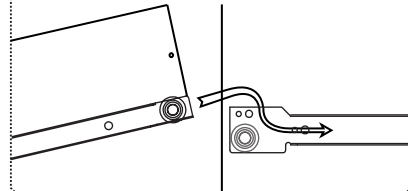
Install sliders

STEP 10

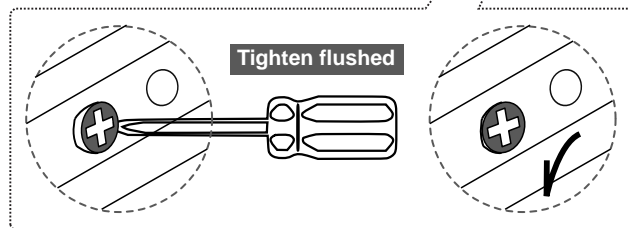
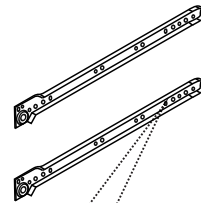
Insert the drawers into the unit with their fronts at angle facing down, and start with the bottom, then middle, top



The wheels from the drawer must slide in the middle of the sliders, not on top on them.



If the drawers stop or feel like hitting something, tighten all the screws as flushed as possible so the heads don't interfere with the rollers.



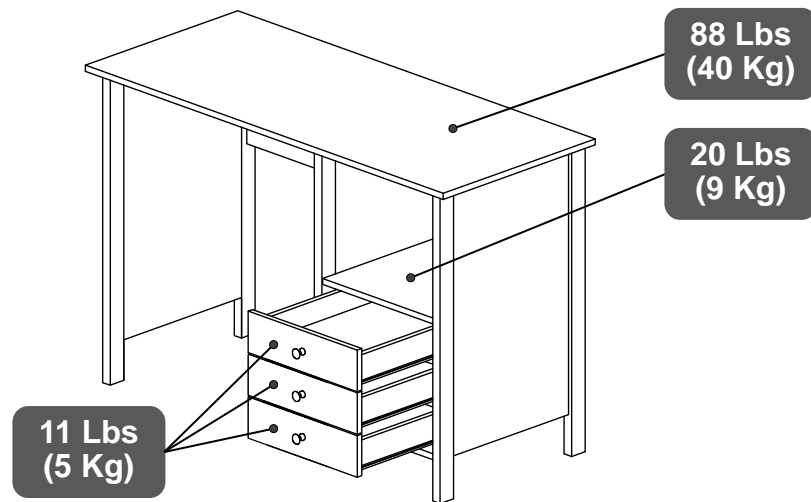
ALL DONE!

Give yourself a nice pat on the back, you did a great job!

ENJOY YOUR NEW UNIT!



Please take your time to read all warnings and warranty information in the following pages.

WEIGHT LIMITS**WARNINGS**

- Do not exceed the indicated weight limits.
- Do not expose the surfaces to direct sunlight or to extreme environmental conditions.
- Do not use solvents or abrasive materials to clean the unit.
- Do not sit on the unit or lean against it.
- Do not allow small children to play under or over the unit.
- Do not allow small children to reach inside the drawers or compartments without your supervision.
- Do not pull, push or drag the unit to move it for more than 1 feet. The unit must be lifted by at least 2 persons when moving in the same or adjacent rooms.
- Before moving the unit, make sure to secure or remove any object that is heavy or might fall off.
- When lifting the unit, use both hands and bend your knees, not your backs.
- Do not use the product if screws are loose or missing, or if you notice damaged parts.
- The warranty does not extend to regular wear and tear, nor the manufacturer assumes liability for damages or consequences due to accidents, incorrect assembly, negligence, improper use, modifications, or not heeding the above warnings.

CARE AND MAINTENANCE

- Clean the surfaces preferable with a clean cloth damped in a solution of mild soap and water, then dry with a clean towel.
- If you decide to use a cleaning agent, test first on an area hidden from view such as underneath the tabletop.
- Every 4 months, inspect the unit completely and make sure that all screws are tighten.
- When transporting the unit to places far away, protect and secure the unit to avoid damage in transit.

TECHNI MOBILI WARRANTY

**DESKS/LAPTOP CARTS/FILE CABINETS: LIMITED 5-YEAR WARRANTY**

RTA Products, LLC warrants to the Original Purchaser who acquired a new product from RTA Products or its authorized resellers that this product will be free from defects in its workmanship and materials, under normal use and service conditions, as described herein. "Defects" as used in this warranty, is defined as any imperfections that impair the use of the furniture or product. RTA Products LLC will replace any defective part, at its discretion, and without charge to the original purchaser other than the freight from the end consumer to RTA Products.

Replacement parts can only be supplied if parts are available. Items out of production may be unavailable. This warranty will be effective for the applicable time period beginning the date of purchase on your original sales receipt. RTA product's obligation under this warranty is limited to repairing or replacing products or parts as provided herein. This product has been designed for and is intended for office and home-office use only. This warranty is Original Purchaser's sole remedy for product defects, and this warranty does not extend to any product, or damage to any product, caused by or attributed to abuse or misuse, products used for commercial or rental purposes, use modifications of, or attachments to the product, and products or parts not used, maintained, or extended hereunder is in lieu of any and all other warranties, express or implied, including without limitations any implied warranty or merchantability or of fitness for a particular purpose. Please note, all desks made with PVC Laminate surface should not be exposed to direct sunlight, as it may damage the material. Damage of this nature is not covered under this warranty.

RTA Products will not be responsible for indirect, special, incidental or consequential damages. This warranty is limited to merchandise purchased in the Continental United States, excludes AK, HI and PR. Some States do not allow the exclusion or limitation of incidental or consequential damages, so the above limitations or exclusions may not apply to you. This warranty gives you specific legal rights. You may also have other rights that may vary from state to state.

To file a Claim within the 48 contiguous United States:

Email us to warranty@rtaproducts.com to explain the defect and provide your name, address, phone number, model number of our product, date and place, and proof of purchase. Please provide pictures of the damage or defect. If we determine that a replacement will remedy the situation, and in order to determine the extent or the cause of the defect, purchaser may be requested to send the part in question at purchaser's expense. Once we receive the part, we will examine it and determine whether the claim is valid (or not), and then proceed to send the replacement. We will ship the replacement at our expense.

Replacement Parts for International Customers & AK-HI-PR orders:

RTA Products will replace the part free of charge, while **the customer is responsible for shipping costs plus any International local taxes or duties.**