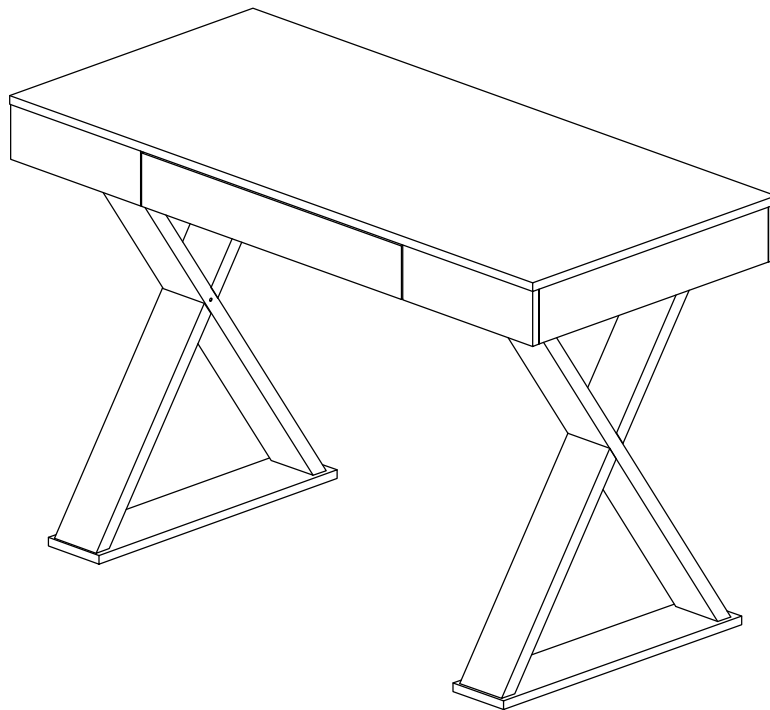


# ASSEMBLY INSTRUCTIONS



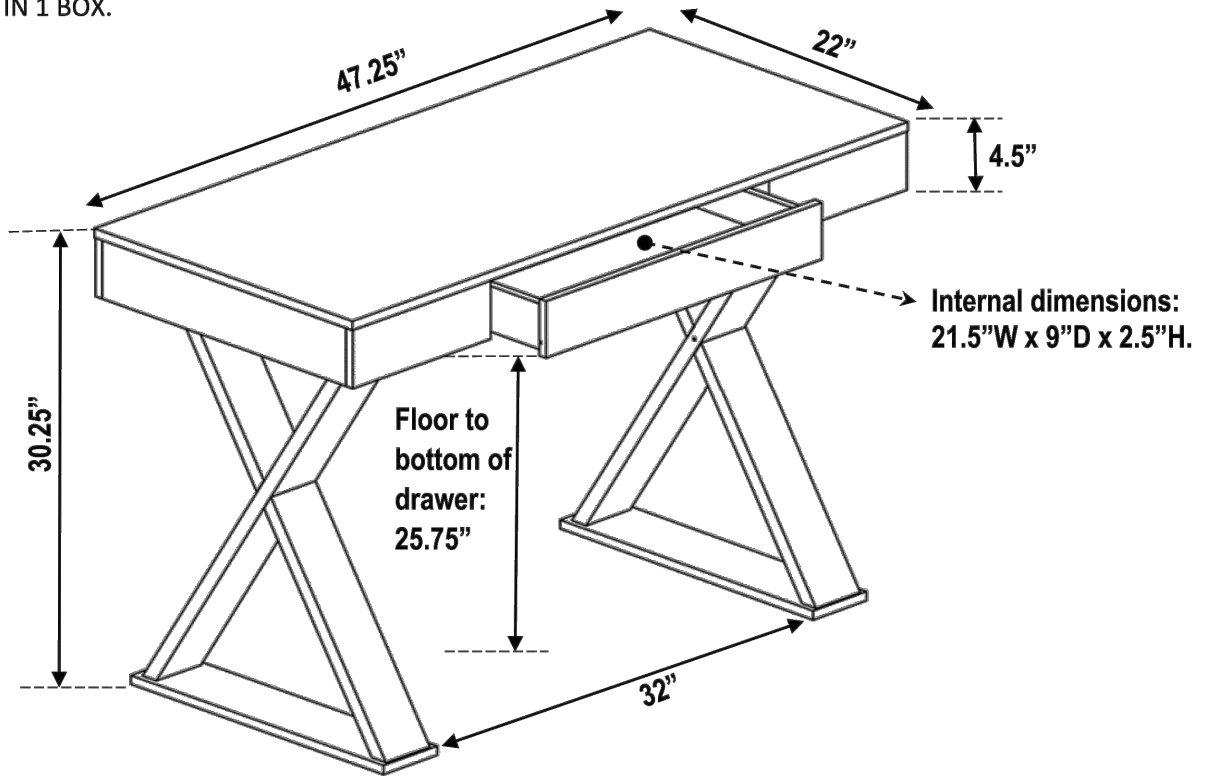
MODEL RTA-8406

Thanks for purchasing one of our products.  
Please read carefully the assembly instructions before the installation.  
Please save this manual for future reference.



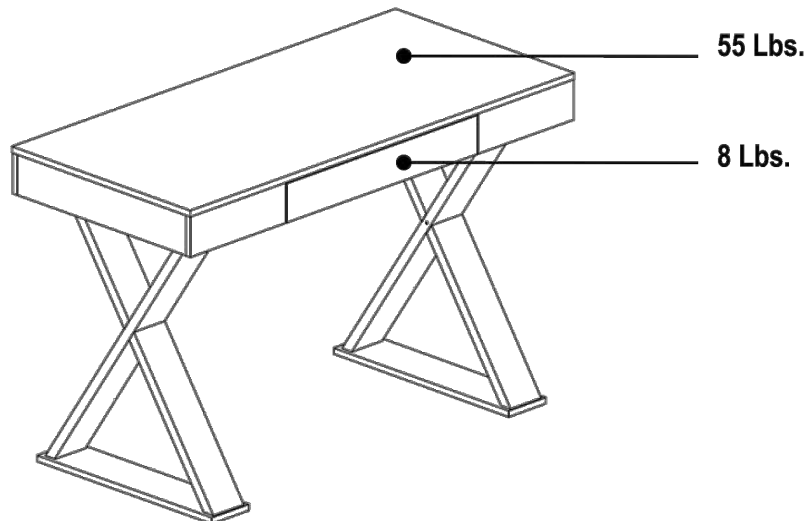
**GENERAL DIMENSIONS:**

WIDTH: 47.25"  
DEPTH: 22"  
HEIGHT: 30.25"  
NET WEIGHT: 41.75 Lbs.  
SHIPS IN 1 BOX.

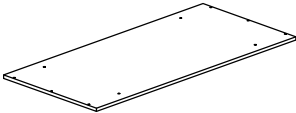
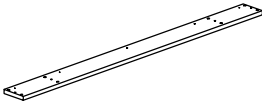
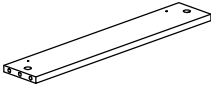
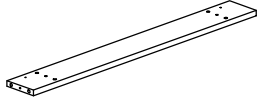
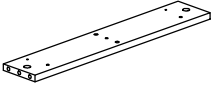
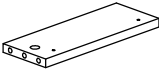

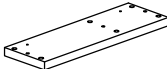
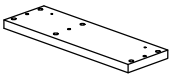


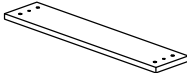
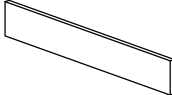
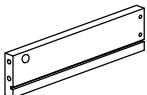
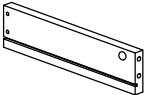













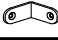

**MAXIMUM WEIGHT CAPACITIES**


(DO NOT EXCEED THESE LIMITS)



**-PARTS LIST**


<p><b>A</b></p>  <p><b>Tabletop</b></p>	<p><b>B</b></p>  <p><b>Back Panel</b></p>	<p><b>C</b></p>  <p><b>Exterior Side Panel x 2</b></p>	<p><b>D</b></p>  <p><b>Middle Panel</b></p>	
<p><b>E</b></p>  <p><b>Interior Side Panel x 2</b></p>	<p><b>F</b></p>  <p><b>Left Stand Panel</b></p>	<p><b>G</b></p>  <p><b>Right Stand Panel</b></p>	<p><b>H</b></p>  <p><b>Left Front Panel</b></p>	<p><b>I</b></p>  <p><b>Right Front Panel</b></p>
<p><b>J</b></p>  <p><b>Cross Leg Panel x 2</b></p>	<p><b>K</b></p>  <p><b>Cross Leg Panel x 2</b></p>	<p><b>L</b></p>  <p><b>Leg Bottom Panel x 2</b></p>	<p><b>M</b></p>  <p><b>Drawer Front Panel</b></p>	<p><b>N</b></p>  <p><b>Drawer Left Panel</b></p>
<p><b>O</b></p>  <p><b>Drawer Right Panel</b></p>	<p><b>P</b></p>  <p><b>Drawer Back Panel</b></p>	<p><b>Q</b></p>  <p><b>Drawer Bottom Panel</b></p>		

SMALL BOX			
PART	QTY.	ITEM	
1	48Pcs	Wooden Pin	
2	12Sets	Cam Lock	
3	4Pcs	EuroScrew - 5 x 8mm	
4	50Pcs	Screw - 3.5 x 15mm	
5	4Pcs	Screw - 4 x 38mm	
6	12Pcs	Screw - 5 x 38mm	
7	2Pcs	Hole Covers	
8	8Pcs	Plastic Feet	
9	2Pcs	Screw - 4 x 65mm	
10	23Pcs	L Bracket	
11	2Pcs	Screw Cap	

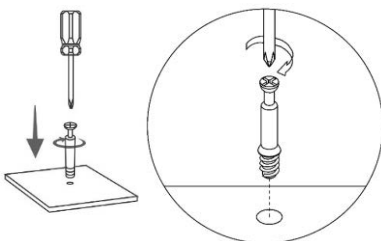
LONG BOX			
PART	QTY.	ITEM	
12	1Set	Drawer Metal Sliders Set	

☛ This unit uses cam bolts and locks. The following explains how to use them. This is not an assembly step; it is a guide for when you are actually doing the assembly using this kind of hardware.

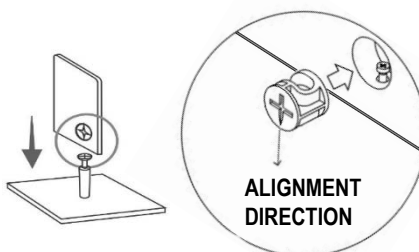
Cam Bolt 

Cam Lock 

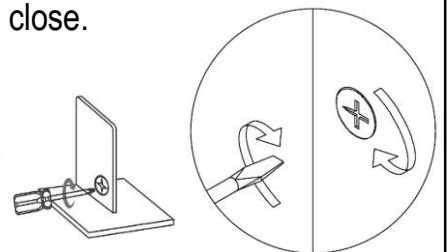
1. Screw the bolt into the corresponding panel.



2. In the other panel, insert the cam lock and align it so it can properly receive the bolt, then join both panels.



3. The panels might have a very small gap which is normal; turn the cam lock clockwise to lock the parts together and the gap will also close.

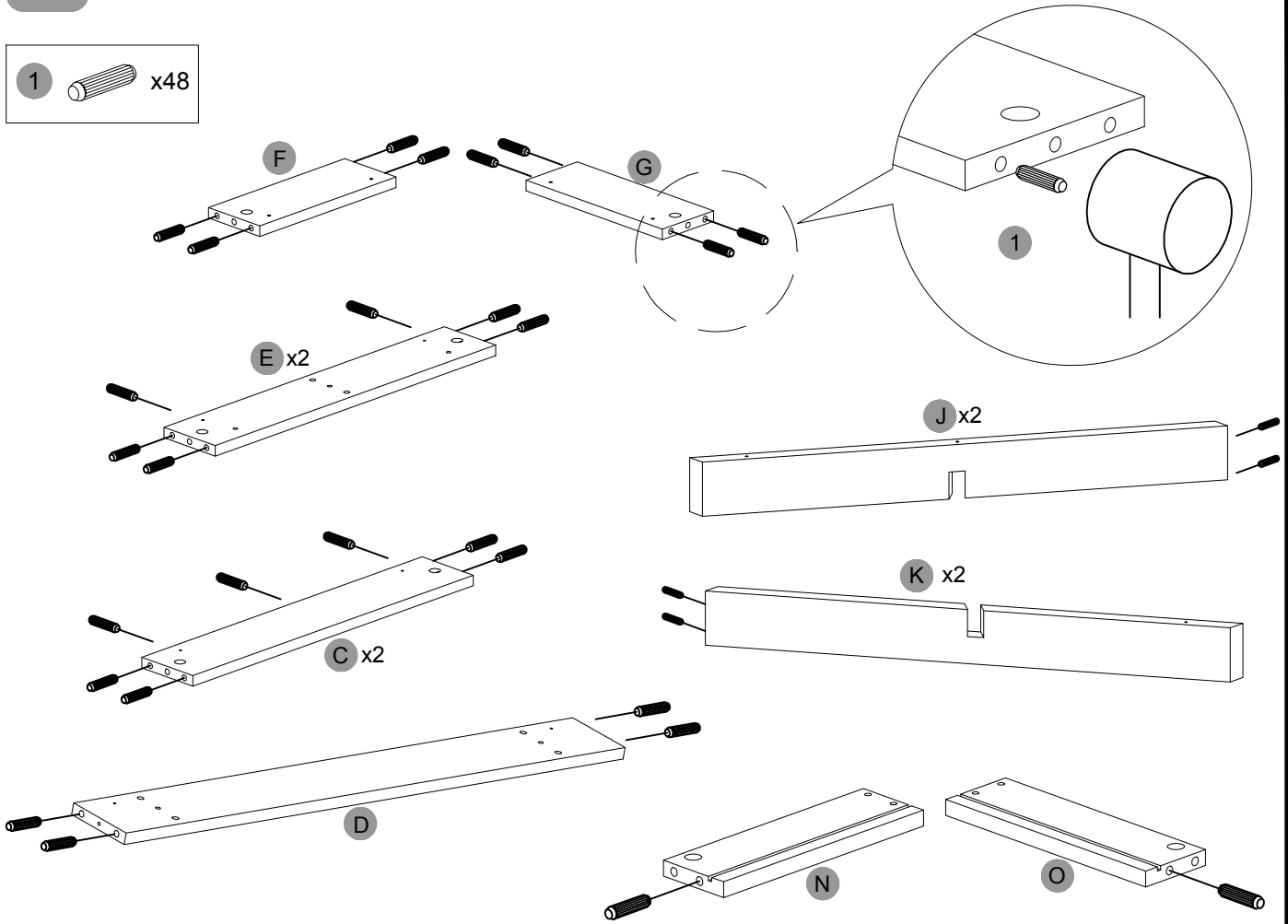
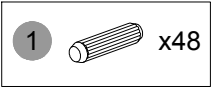


**⚠ BEFORE YOU START THE ASSEMBLY, PLEASE READ THE FOLLOWING TIPS AND WARNINGS.**

- ☛ Do a quick inventory to make sure the product contains all the parts and hardware.
- ☛ Missing, damaged and defective parts can be replaced at no cost to you. Please refer to the CONTACT and the WARRANTY cards included with the product.
- ☛ If during assembly you find an issue or need clarification, please contact our Customer Service for assistance. Please refer to the CONTACT card included with the product.
- ☛ On each step read the instructions and analyze the illustrations thoroughly before proceeding to do the assembly.
- ☛ To avoid misalignments, always leave the screws loose and tighten them until all pieces are positioned correctly.
- ☛ Do not overtighten or force the screws as they might break, strip, damage the threads of the holes or get stuck inside the part.
- ☛ Sometimes the laminate might cover partially or entirely the hole on a panel, but the hole should still be located under the laminate.
- ☛ If there is no visible hole for the screw, pass and press the tip of your finger over the area where the hole should be located to feel the indentation, and once found, carefully pierce the laminate to reveal the hole underneath.
- ☛ If the hole seems too small for the screw, first make sure you are using the correct size of screw and that it's been installed in the correct hole. If the hole still appears to be too small, carefully pierce the laminate to reveal the hole's actual size.
- ☛ Make sure you understand which hardware will be used on each step. Using the wrong size of screw, bolt or pin might cause damage to the part in which it is being used.

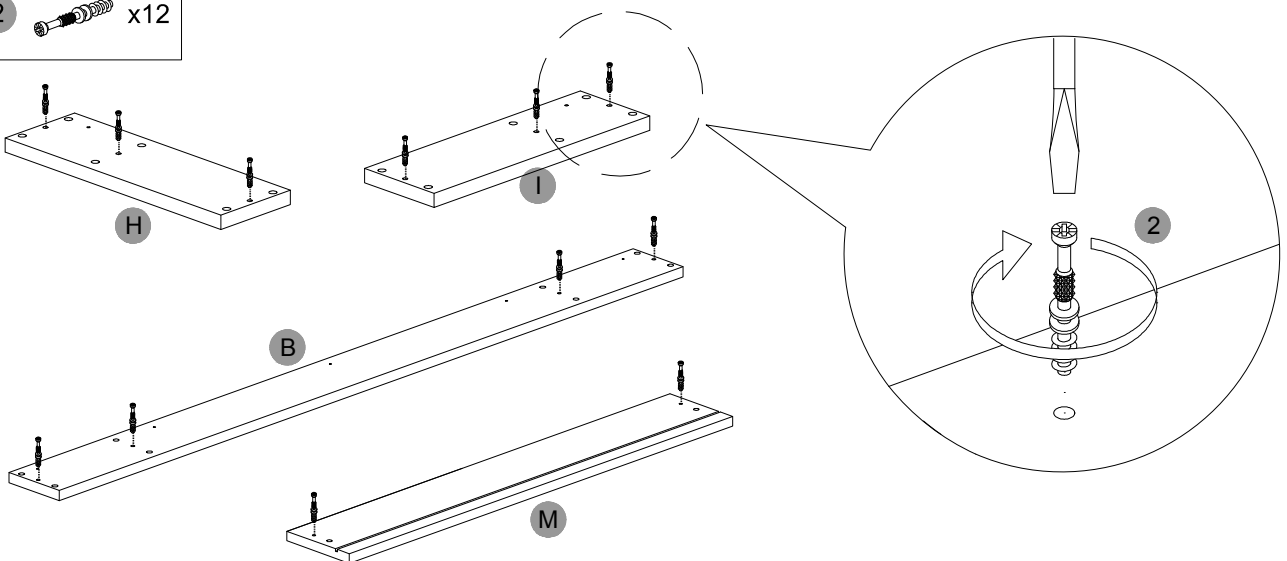
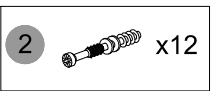
1

Install 48pcs of Wooden Pins (1) into all panel as shown.

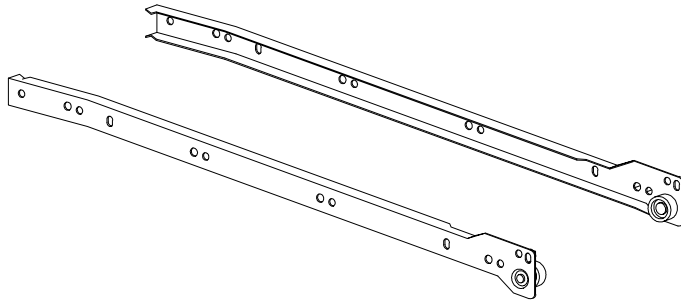


2

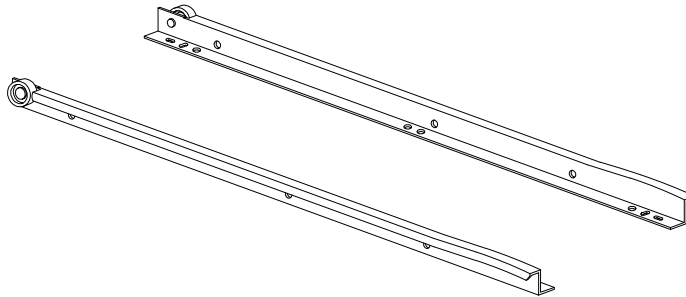
Attach Bolt (2) to all panels as shown.



- 3** Grab the set of slider (12) and separate the 4 pieces according to their shapes :
- ☛ The 2 that are flat will be used in step 4.
  - ☛ The 2 that are shaped in "L" will be used until step 17, so please set them aside.

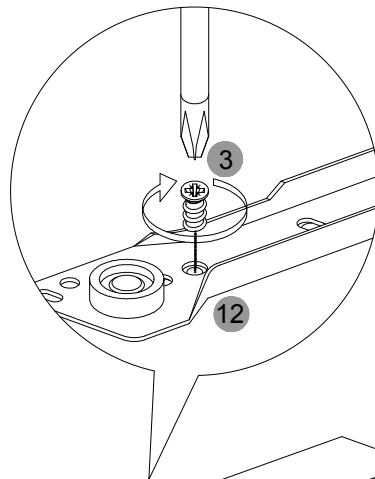
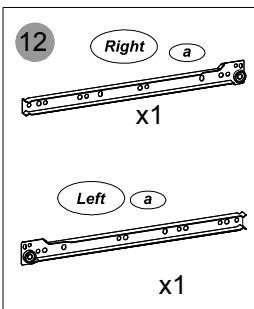


**FLAT (STEP 4)**

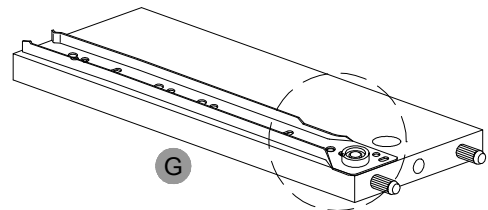
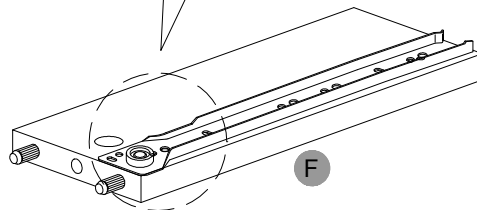


**"L" (STEP 17)**



- 4** Attach the flat Drawer Metal Sliders (12) to the Stand Panels Left (F) and Right (G) using screws (3) as shown.



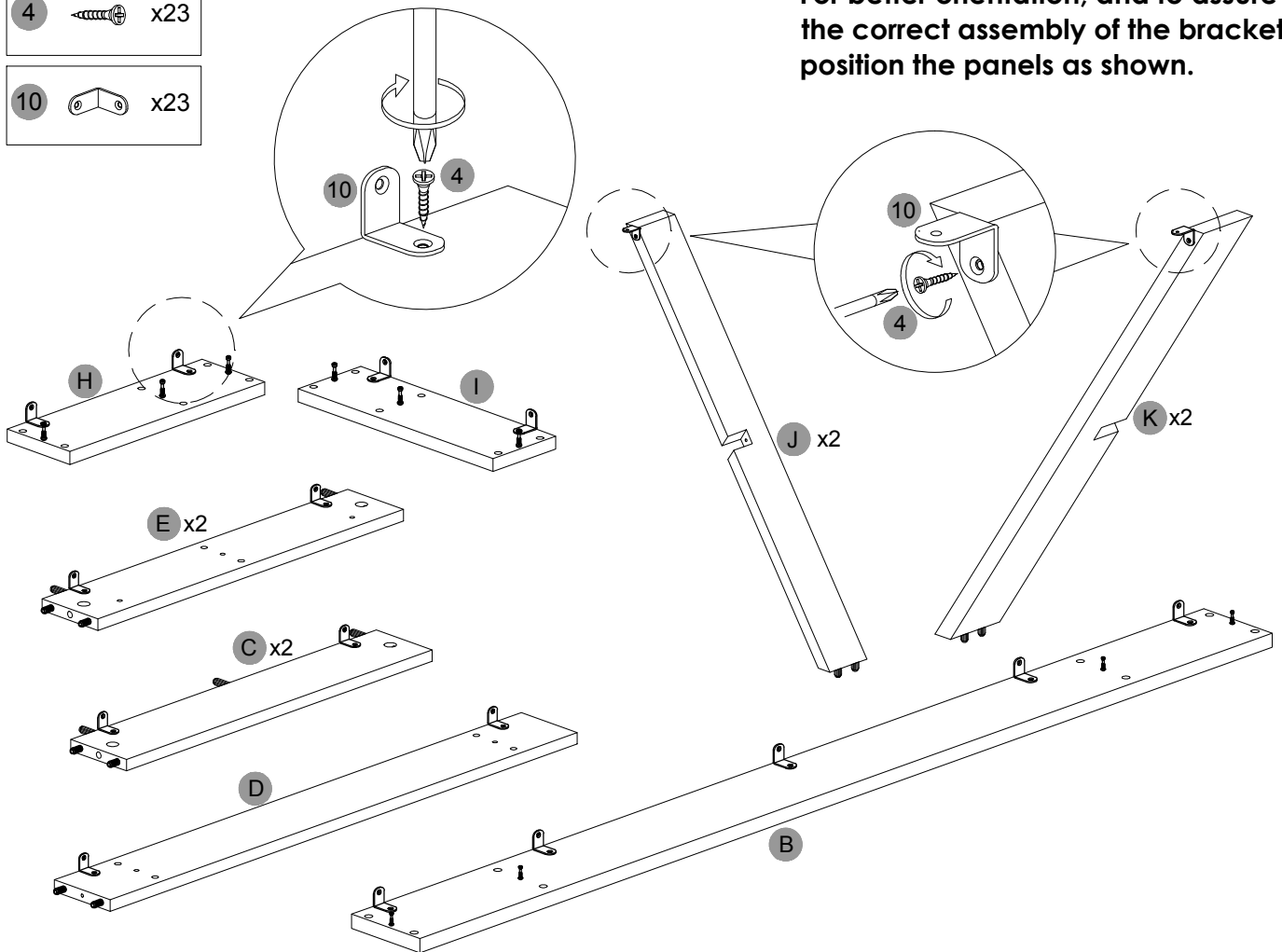
For better orientation, and to assure the correct assembly of the sliders, position the panels as shown.



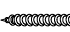
**5** Using screws (4) install L Brackets (10) to all the panels shown in the illustrations.

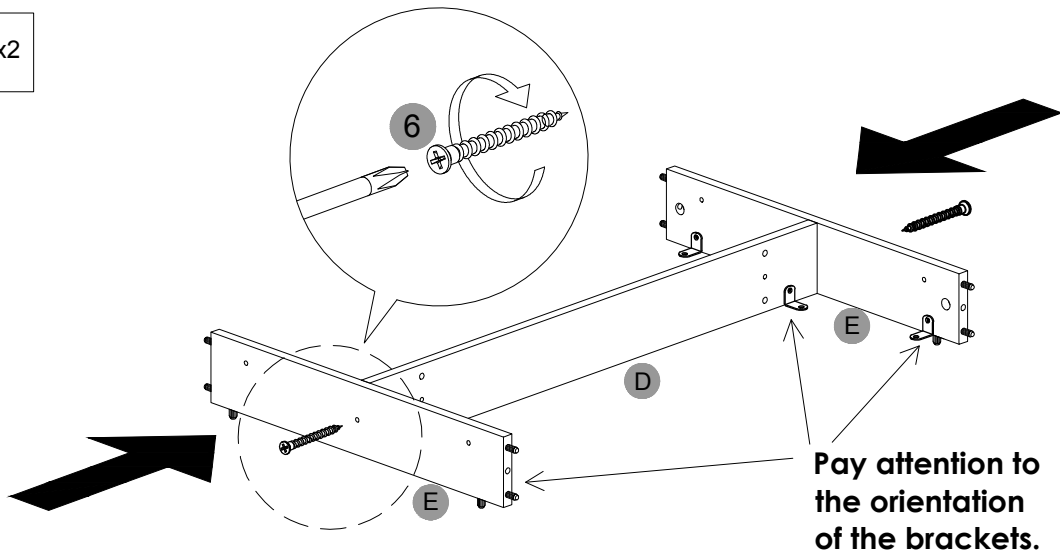
- 4  x23
- 10  x23

For better orientation, and to assure the correct assembly of the bracket, position the panels as shown.



**6** Assemble the Middle Panel (D) in between the Interior Side Panels (E) using screws (6) as shown.

- 6  x2

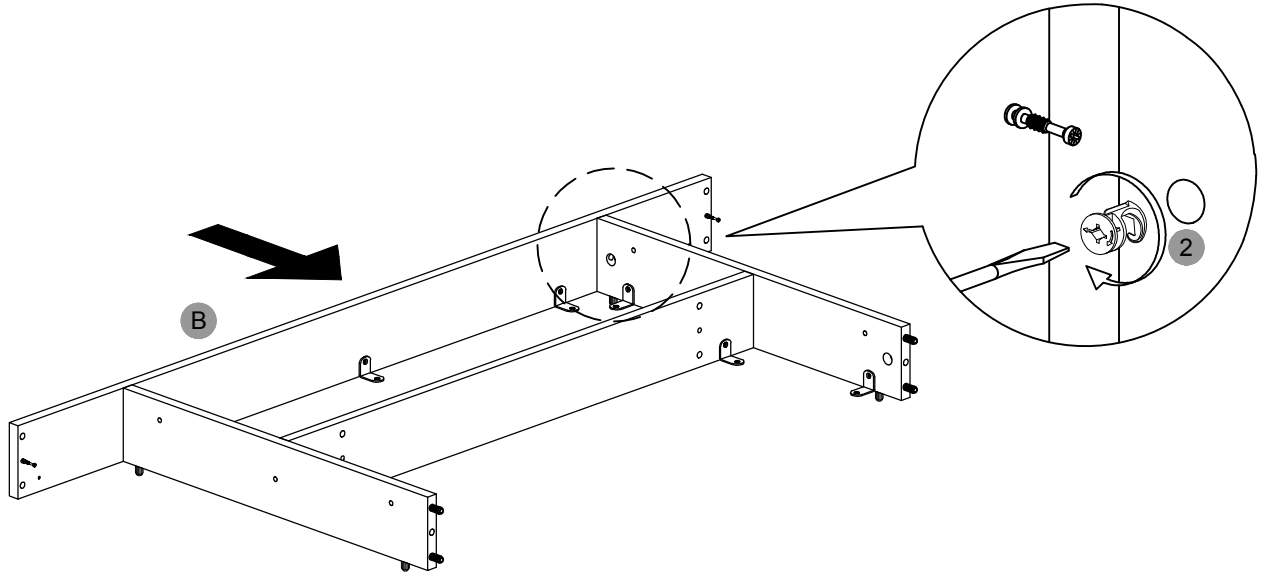




7

Assemble the Back Panel (B) to panels (E) using the Cam Locks (2) as shown and as explained in page 4.

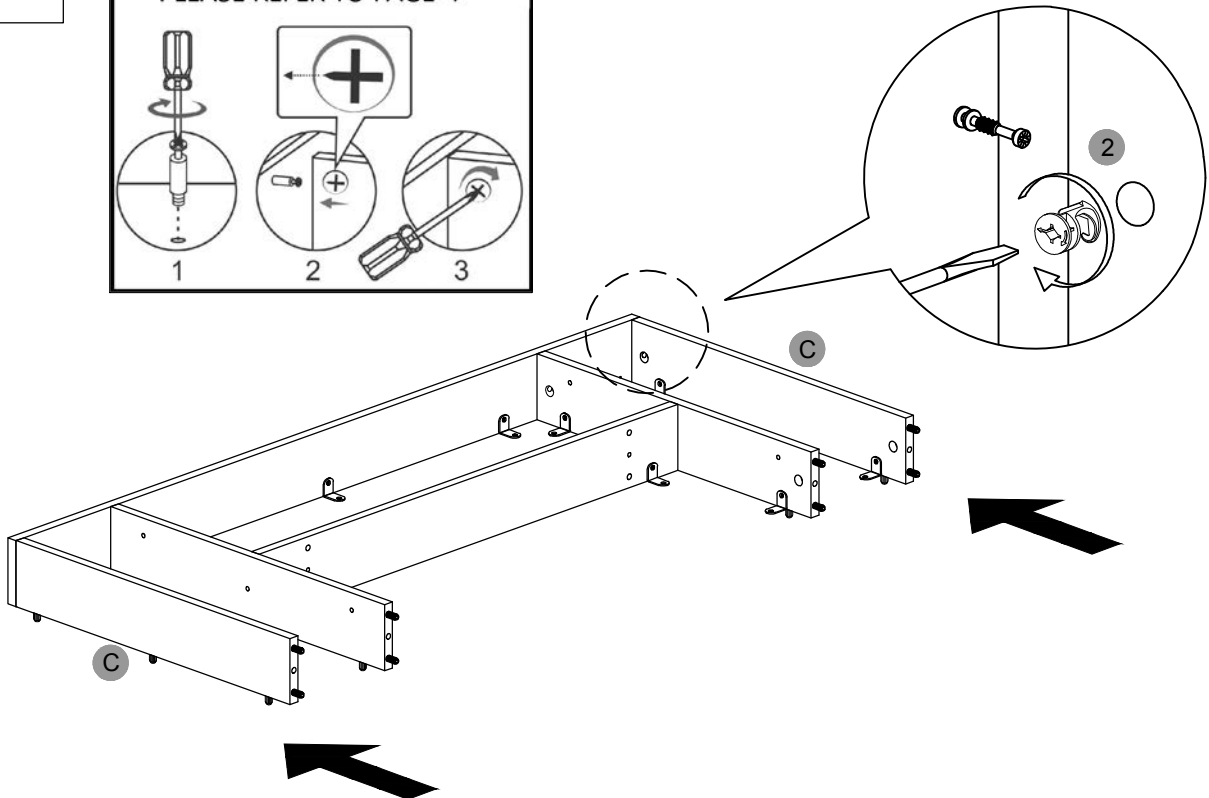
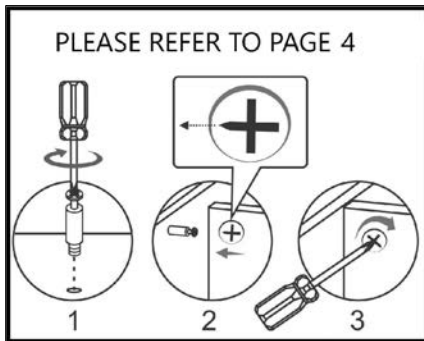
2  x2



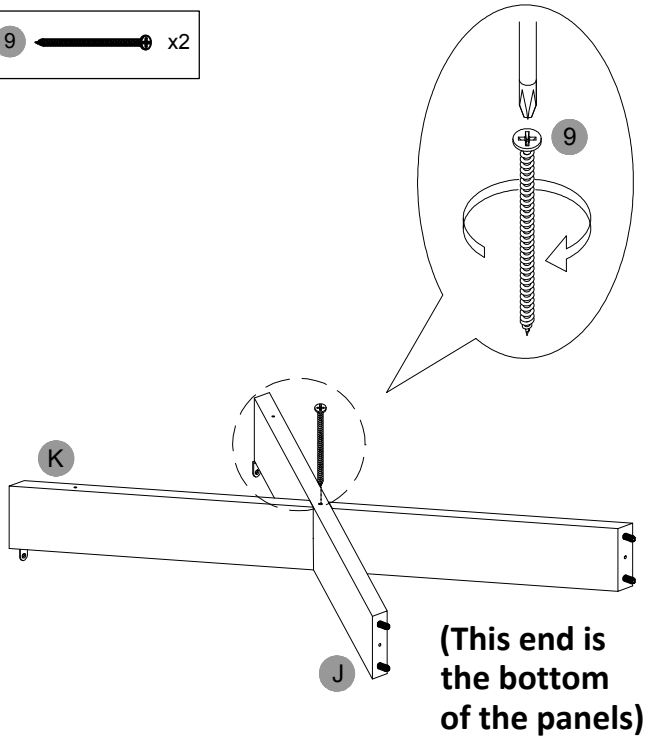
8

Assemble the Exterior Side Panels (C) to the Back Panel (B) using the Cam Locks (2) as shown and as explained in page 4.

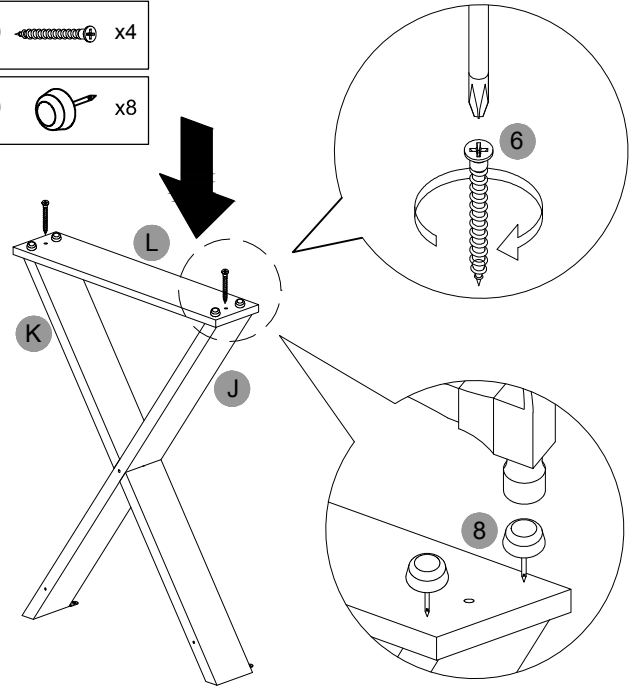
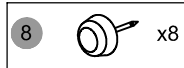
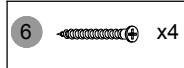
2  x2



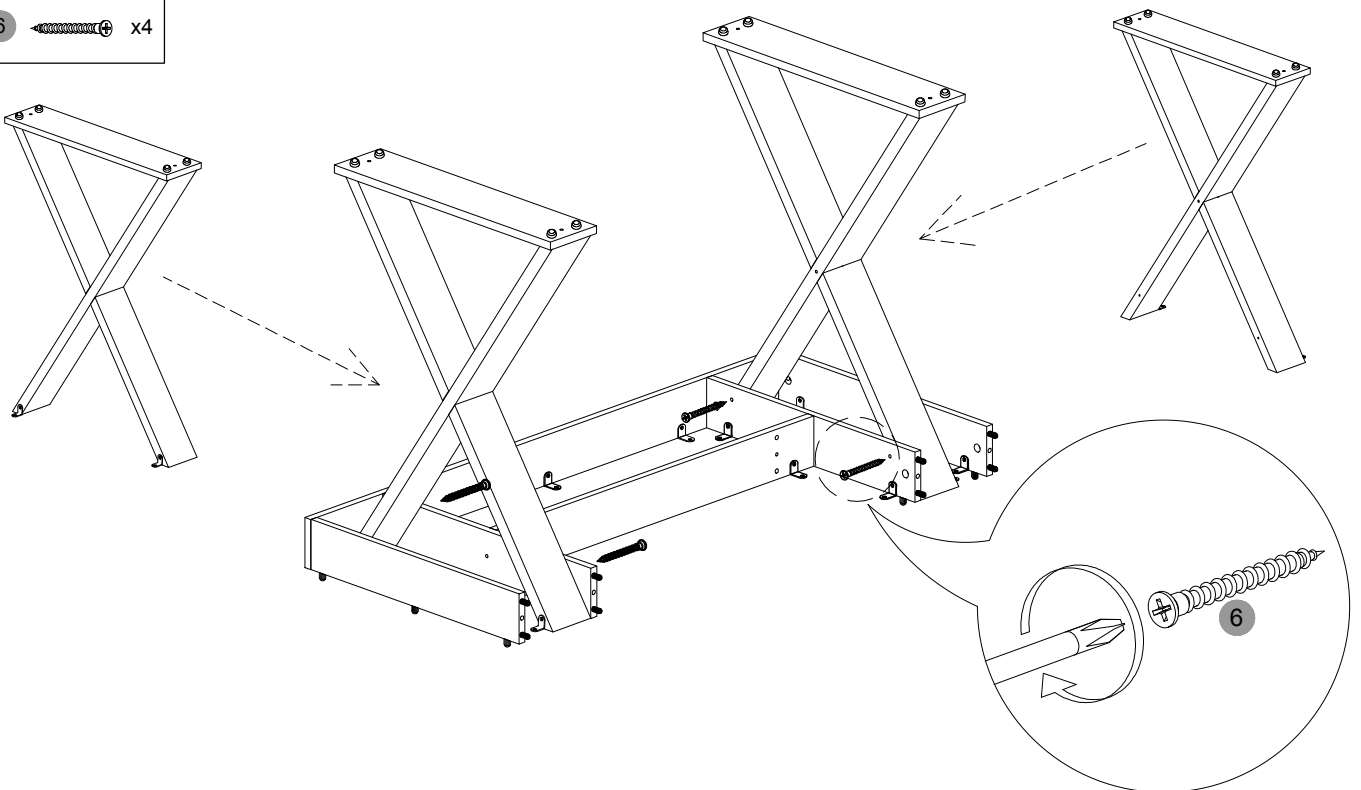
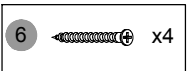
**9** Assemble the Cross Leg Panel (J) to Panel (K) using screw (9) as shown. Repeat for the second leg.



**10** Assemble the Bottom Panel (L) to the bottom end of the Cross Legs (J) and (K) using screws (6) as shown. Then attach the Plastic Feet (8) as shown. Repeat for the second leg.



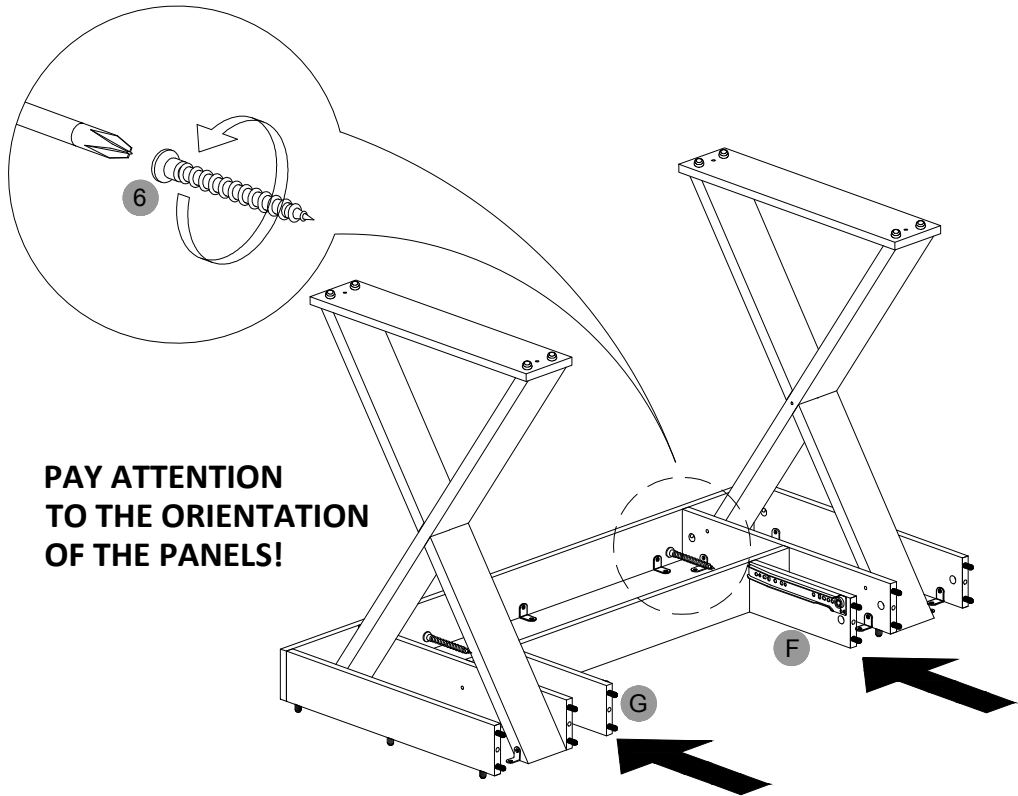
**11** Assemble the Cross Legs to the Interior Side Panels (E) using screws (6) as shown.



12

Using screws (6), assemble the Left Stand Panel (F) and the Right Stand Panel (G) to the Middle Panel (D) in their respective sides as shown.

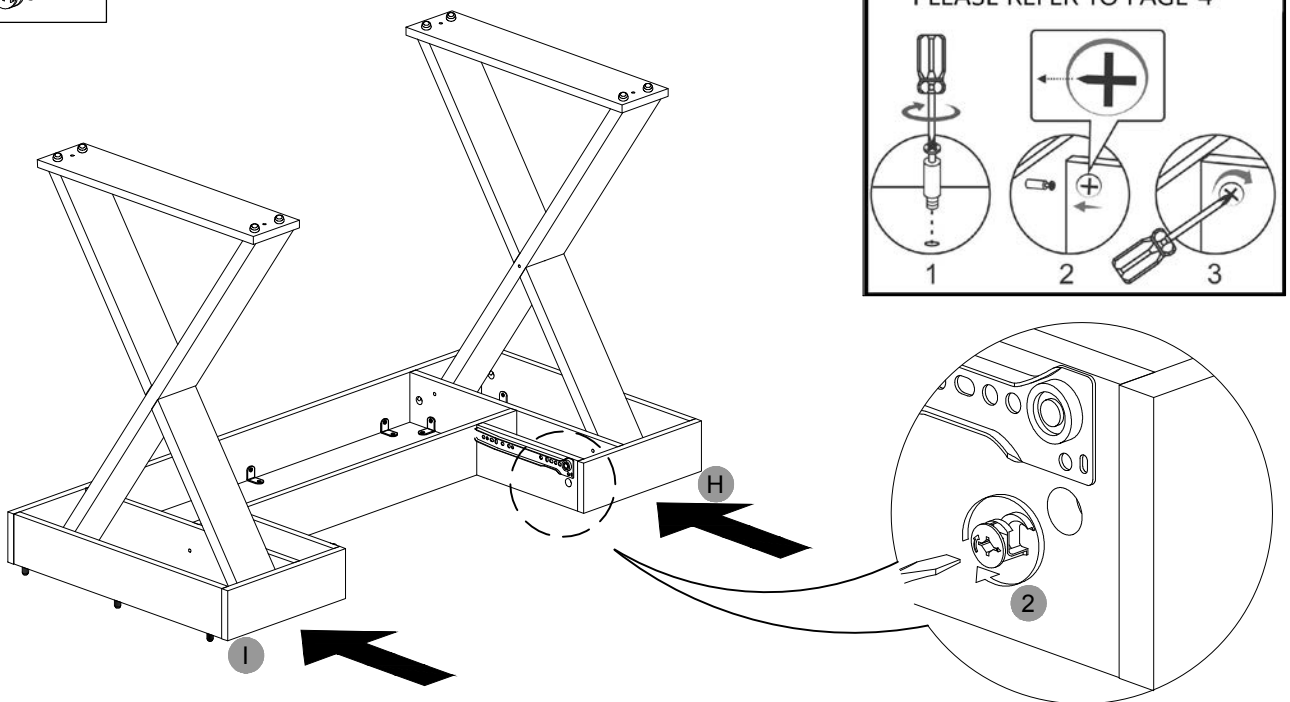
6  x2



13

Assemble the Left Front Panel (H) and the Right Front Panel (I) to the respective sides on the frame using Cam Locks (2) as shown and as explained in page 4.

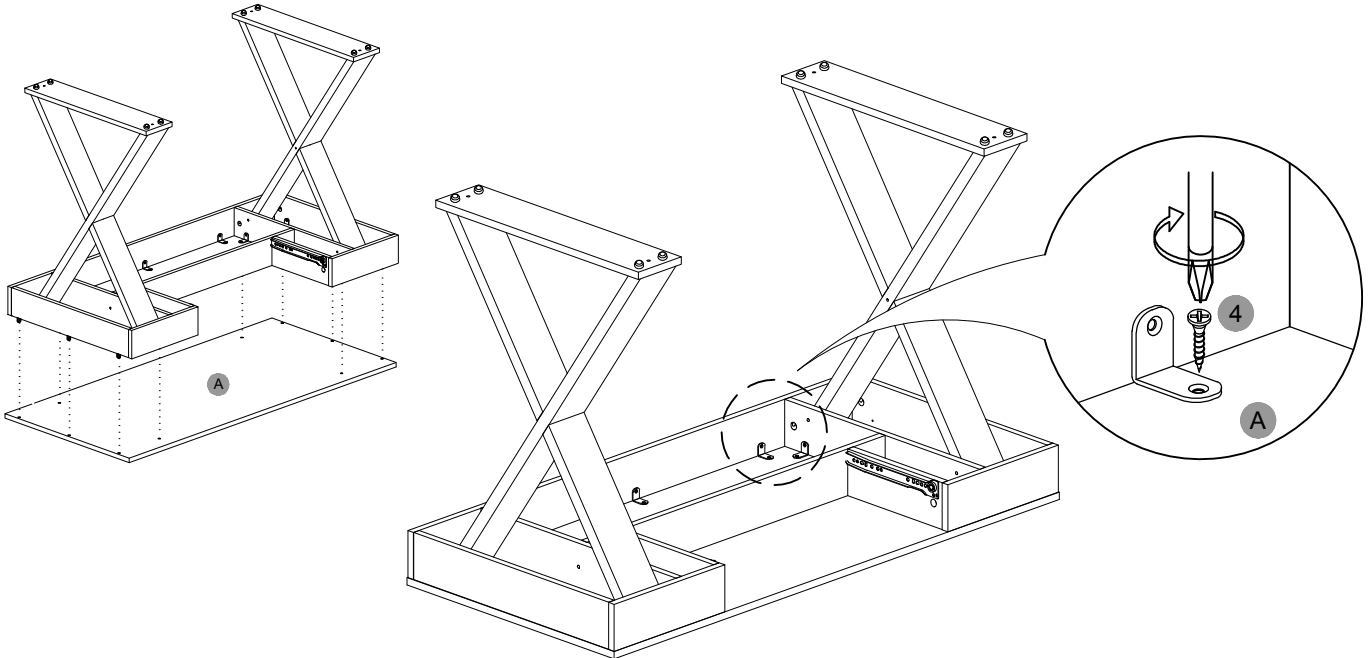
2  x6



14

Carefully place the Tabletop (A) upside-down, then with the help of another person, place the frame over the tabletop making sure the wooden pins enter in the holes. Then using screws (4), assemble the Tabletop (A) to the brackets on the frame. Carefully turn the table to its normal upright position.

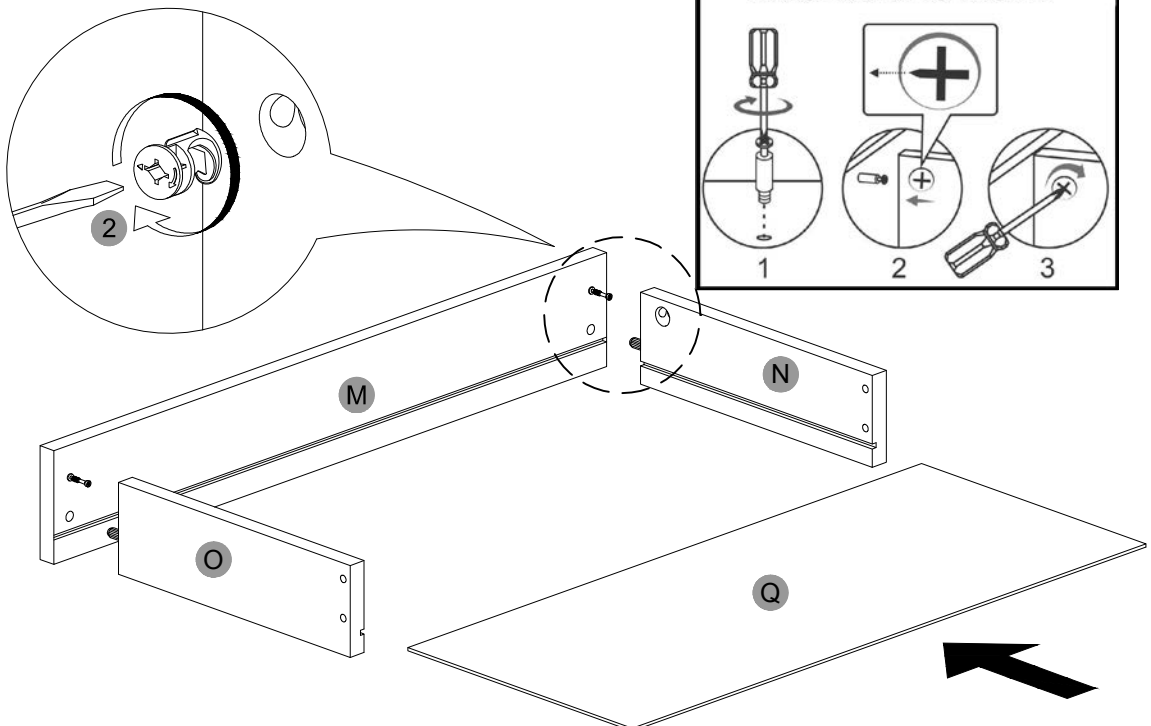
4 x23



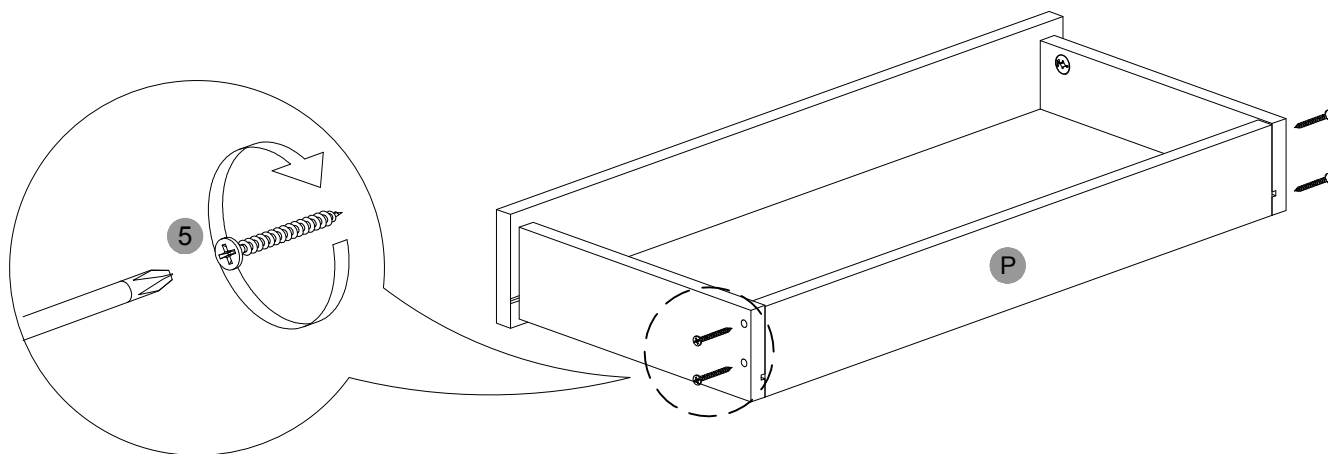
15

Assemble the Drawer Front Panel (M) to the drawer side panels (O) and (N) using Cam locks (2) as shown and as explained in page 4. Then insert the Drawer Bottom Panel (Q) in the grooves of all panels.

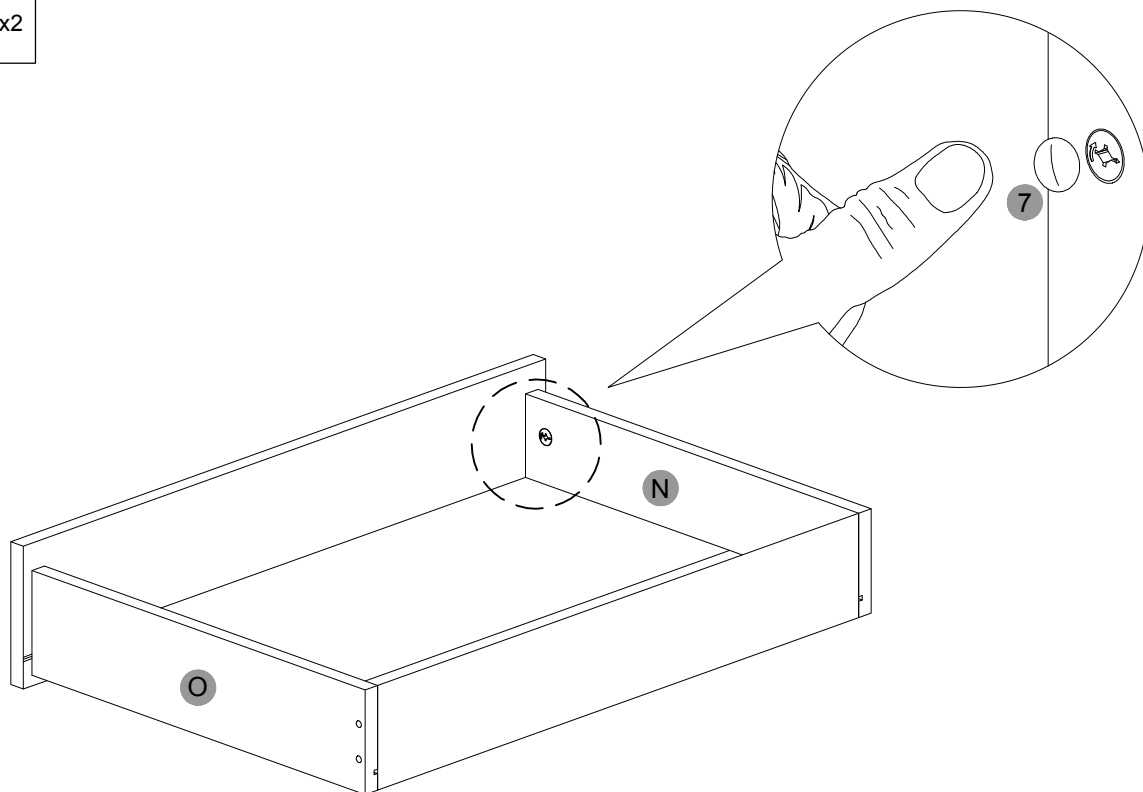
2 x2



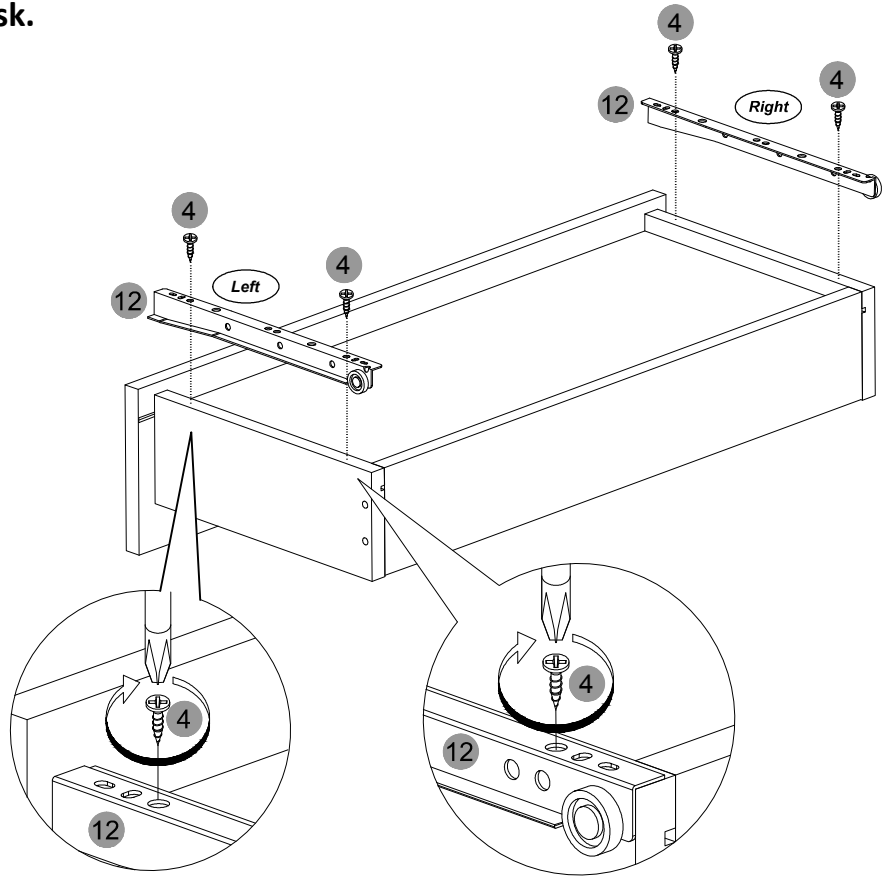
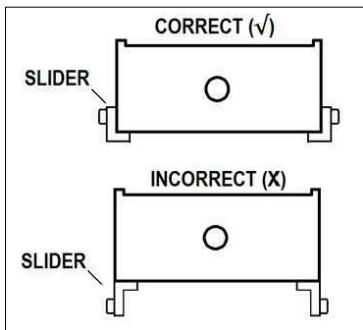
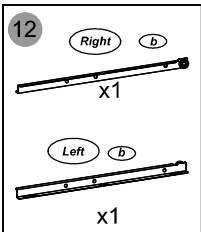
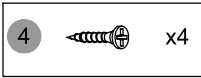
**16** Assemble the Drawer Back Panel (P) in between the side panels (O) and (N) using screws (5).



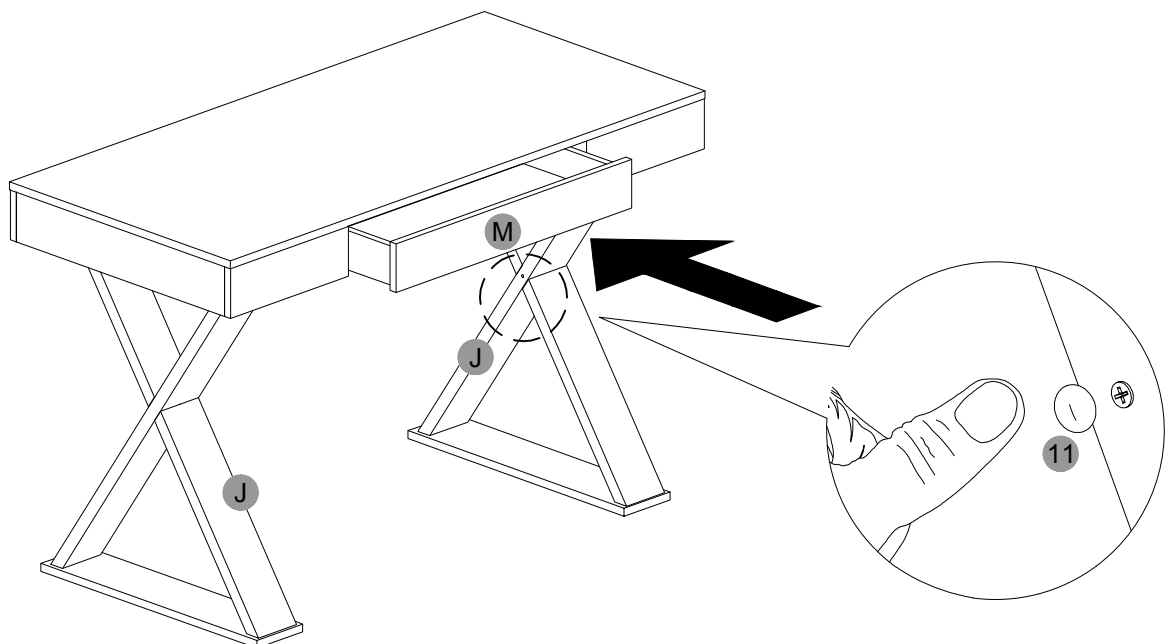
**17** Attach the Hole Covers (7) to the Cam Locks as shown.



**18** Turn the drawer upside-down, and using screws (4), assemble the "L" shaped sliders (12) with the wheels towards the back. **VERY IMPORTANT:** Make sure to install them without protruding from the bottom, otherwise the drawer will raise about 1" and won't fit in the desk.



**19** Insert the drawer into the desk as shown. Then attach the Screw Caps (11) to the Cross Legs (J) as shown.



**⚠ AFTER THE ASSEMBLY IS DONE, PLEASE READ THE FOLLOWING WARNINGS FOR CARE AND MAINTENANCE:**

- ▣ Do not expose the surfaces to direct sunlight or to extreme environmental conditions. Damages caused by this kind of exposure is not covered by the product's warranty.
- ▣ Clean the surfaces preferable with a soft cloth damped with a solution of mild soap and water, then dry with a clean towel. Damages caused by the use of solvents or abrasive materials are not covered by the product's warranty.
- ▣ If you decide to apply a cleaning agent, first test on a small area of the unit that is hidden from view, for example, underneath the drawer.
- ▣ Do not allow small children to climb over the unit or play underneath. Do not let them open or reach inside the drawer unsupervised.
- ▣ Before moving the unit within the same room or to an adjacent room:
  - a) Remove all objects from the tabletop and drawer that are heavy or might fall off.
  - b) The unit must be handled by at least 2 persons.
  - c) Use both of your hands and bend your knees, not your backs.
- ▣ To transport the unit to a location far away from its current location, it is recommended to properly secure it to avoid breakage during transit.
- ▣ Making any modification to the unit will void the warranty on it.