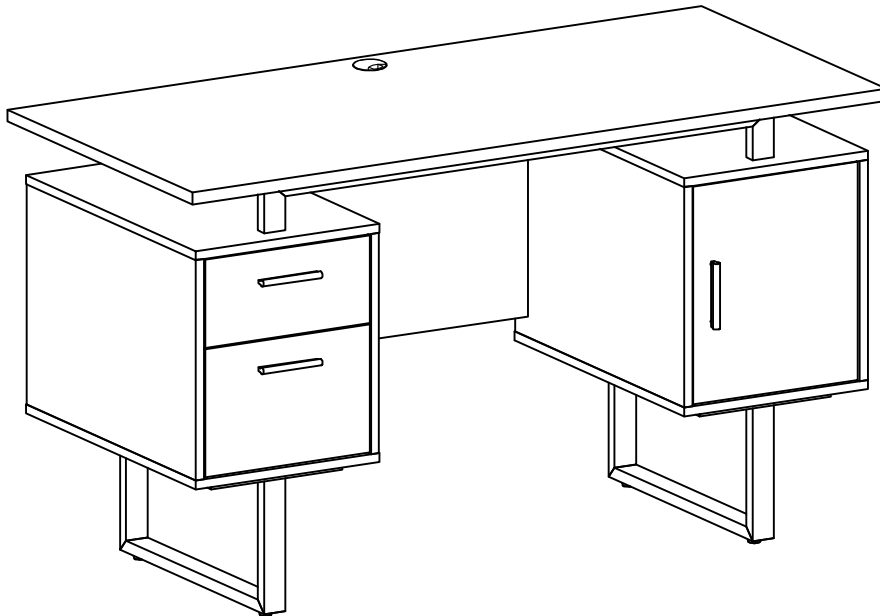


**MODERN OFFICE DESK WITH STORAGE**

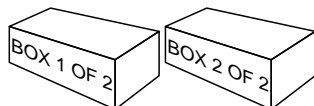
# **MODEL RTA-7002**

## **ASSEMBLY INSTRUCTIONS**

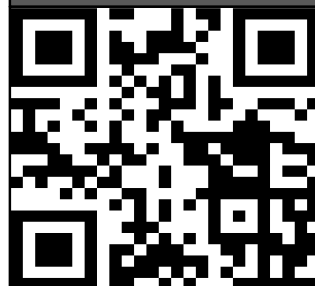
Thank you for purchasing our product



Please note that this product comes packaged in 2 separate boxes



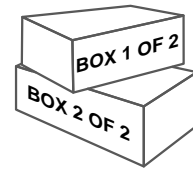
Scan QR to view full assembly video



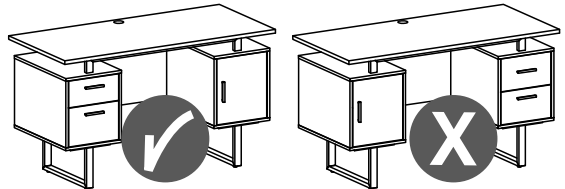
REV.WJ-7185-0323



- This product comes split in 2 separate boxes.



- The product assembles **ONLY** as shown in the front page, with the drawers on the **LEFT** and the storage door on the **RIGHT**. Interchanging the sections is not possible.



- Do not discard this manual or any of the packaging material until the unit has been completely assembled.



- Please read carefully the assembly instructions before the installation.



- The assembly might require of 2 persons for certain steps. Before you start the instalation, make sure there is someone else nearby to help you.



- Scan this QR code to view the complete assembly video online.

NOTE:During the playback, you can easily locate or jump into any step by clicking on the time stamps listed below the video:

**STEP 1 00:00 • STEP 2 0:12 • STEP 3 0:37 • STEP 4 0:46 • STEP 5 0:51 • STEP 6 0:56 • STEP 7 1:16 • STEP 8 1:38 • STEP 9 1:58 • STEP 10 2:13 • STEP 11 2:29 • STEP 12 2:36 • STEP 13 2:41 • STEP 14 2:49 • STEP 15 3:17 • STEP 16 3:34 • STEP 17 4:19 • STEP 18 4:37**



- After the item is assembled, you can use rubbing alcohol to erase or remove the visible part numbers printed or labeled on the pieces.



- Please be kind to our planet, when done with the assembly, recycle any of the packaging materials that is accepted by your city or recycling service.



Thank you!



Do a quick inventory of all the parts and hardware listed below



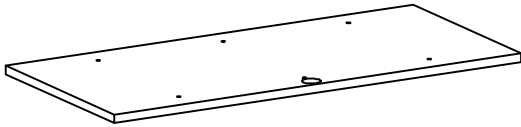
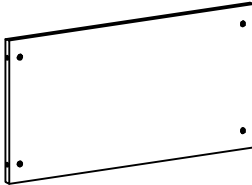
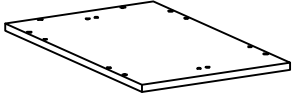
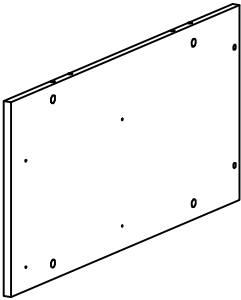
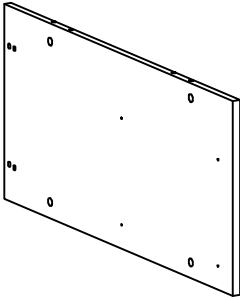
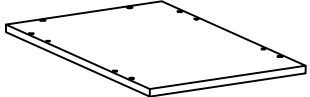
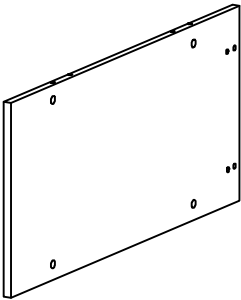
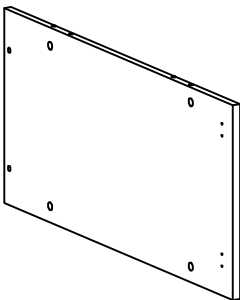
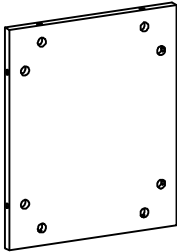
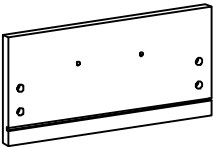
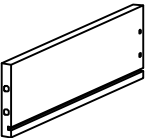
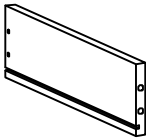

Missing, damaged and defective parts can be replaced at no cost to you. Please refer to the last pages on this manual.

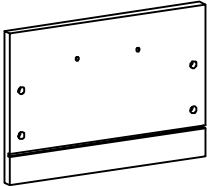
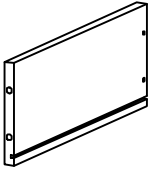
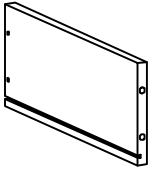
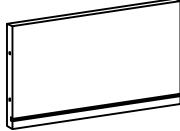
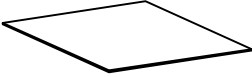
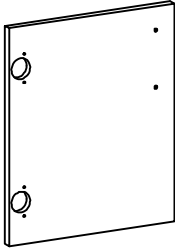
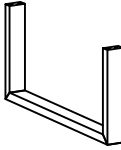

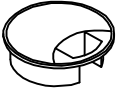
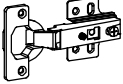

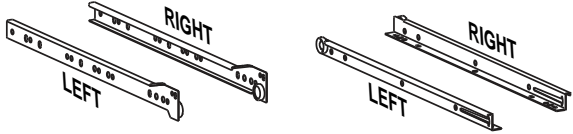




The replacement parts service is limited to the 48 contiguous United States. If you reside in AK, HI, PR, U.S. territories or other countries, please contact the supplier from where the unit was purchased.

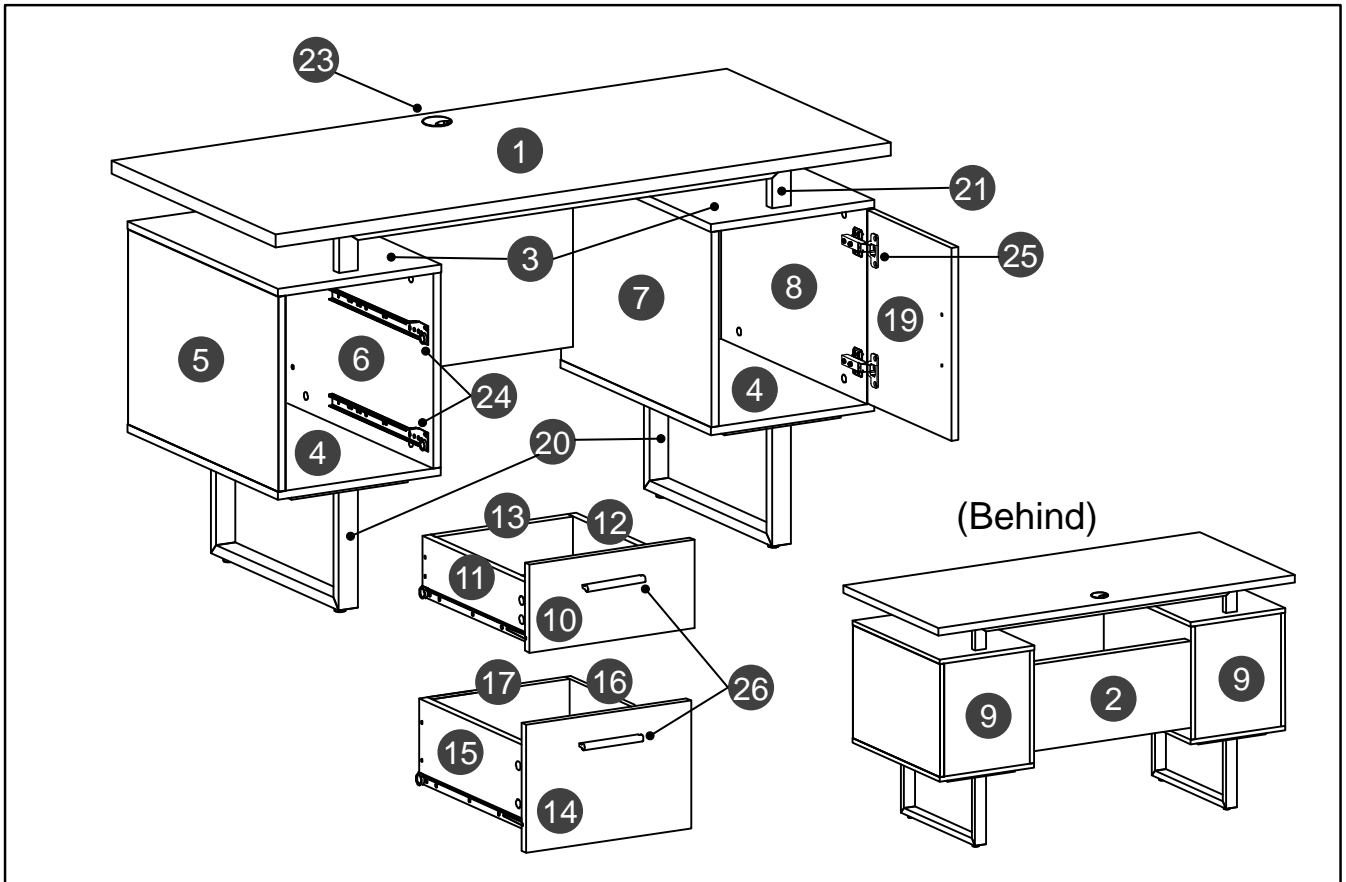


**MAIN PARTS LIST**

<p><b>1</b> Tabletop (Main panel) x1</p> 	<p><b>2</b> Middle back panel x1</p> 	<p><b>3</b> Cabinet top panel x2</p> 	
<p><b>5</b> Left side panel x1</p> 	<p><b>6</b> Middle-left side panel x1</p> 	<p><b>4</b> Cabinet bottom panel x2</p> 	
<p><b>7</b> Middle-right side panel x1</p> 	<p><b>8</b> Right side panel x1</p> 	<p><b>9</b> Side back panel x2</p> 	
<p><b>10</b> Small drawer front panel x1</p> 	<p><b>11</b> Small drawer left panel x1</p> 	<p><b>12</b> Small drawer right panel x1</p> 	<p><b>13</b> Small drawer back panel x1</p> 

<b>14</b> <b>x1</b> Large drawer front panel 	<b>15</b> <b>x1</b> Large drawer left panel 	<b>16</b> <b>x1</b> Large drawer right panel 	<b>17</b> <b>x1</b> Large drawer back panel 
<b>18</b> <b>x2</b> Drawer bottom board 	<b>19</b> <b>x1</b> Door 	<b>20</b> <b>x2</b> Metal "U" leg 	
<b>22</b> <b>x4</b> Metal support for cabinet 		<b>23</b> <b>x1</b> Grommet (cable management) 	
<b>25</b> <b>x2</b> Hinge 		<b>26</b> <b>x3</b> Handle 	
<b>24</b> <b>x2 Set</b> Drawer metal sliders, SET of 4 pcs  <p style="font-size: small; margin-top: 5px;">             "FLAT": 2 pcs per set, go inside the cabinet              "L shape": 2 pcs per set, go on the drawers         </p>		<b>27</b> <b>x4</b> Glide stud 	
<b>21</b> <b>x2</b> Long support bar for main panel 			

**MAIN PARTS LAYOUT (For reference)**



**HARDWARE LIST**

PART	QTY	SIZE	ITEM
A	40 Sets	M6x35 Cam lock & Bolt	
B	16	Ø8x30	
C	4	M6x50	
D	6	M6x40	
E	16	M6x35	
F	8	M6x25	

PART	QTY	SIZE	ITEM
G	8	M3.5x40	
H	6	M4x22	
I	12	M3.5x14	
J	18	M3x14	
K	1	Bracket	
L	4	Insert nut M6/Ø10	

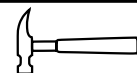
**TOOLS INCLUDED**

Phillips Screwdriver



**TOOLS REQUIRED BUT NOT INCLUDED**

Hammer



## THE ASSEMBLY STEPS START ON PAGE 7

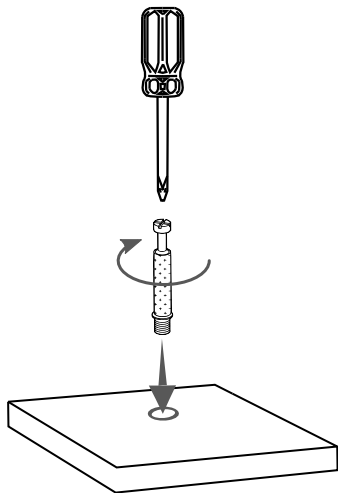
### CAM BOLT AND CAM LOCK TUTORIAL

THE INSTRUCTIONS BELOW  
ARE NOT ACTUAL ASSEMBLY STEPS



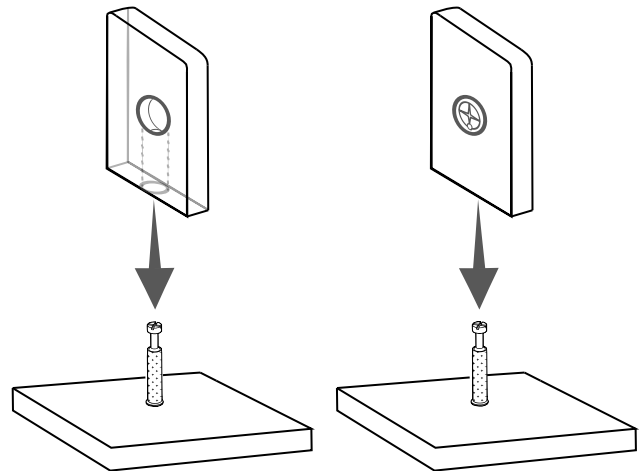
This unit uses cam bolts and locks (also known as mini fixes). If you are not familiar with this kind of hardware, the below is a tutorial that explains how to use them on the steps where they are required.

1. Screw the bolt into the indicated hole on the panel indicated in the assembly step.

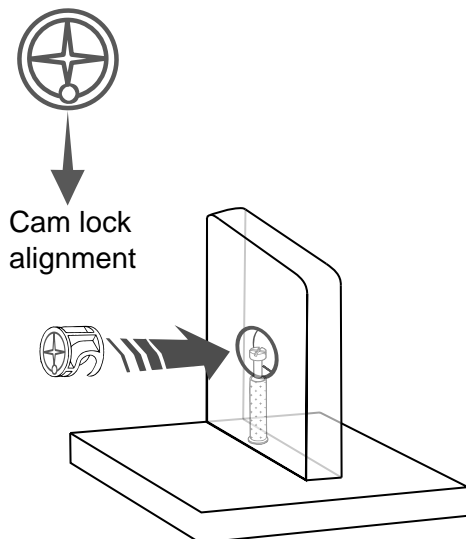


2. Join the other panel (with the big hole) to the panel with the bolt. If it comes with the cam locks already pre-installed, make sure to align them to receive the bolt's head (refer to point 3). There might be a very small gap between the panels which is normal.

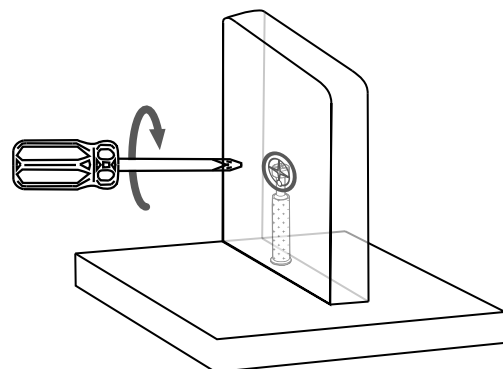
If the cam locks come pre-installed, make sure they are aligned (see point 3).



3. Insert the cam lock on the panel with the big hole making sure it goes aligned to receive the bolt's head.



4. Use a Phillips screwdriver to turn the cam lock clockwise. This will lock the panels together and also will close any gaps.



**BEFORE YOU START THE ASSEMBLY, PLEASE READ THE FOLLOWING TIPS AND WARNINGS.**

- Do not discard this manual or any of the packaging material until the unit has been completely assembled.



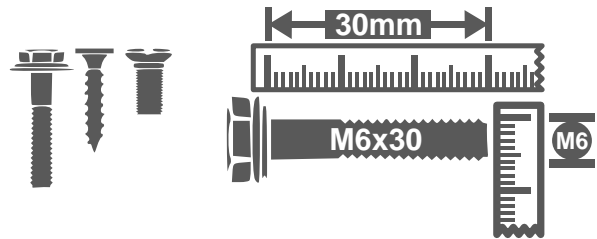
- If during assembly you find an issue or need clarification, please contact our Customer Service for assistance. Please refer to the last pages on this manual.



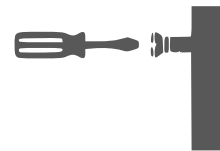
- On each step read the instructions thoroughly and analyze the illustrations before proceeding to do the assembly.
- Follow the instructions step by step and do not skip any unless our Customer Service advises it is OK to do so.



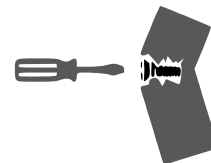
- Make sure you understand which hardware will be used on each step. Using the wrong size of screw, bolt or pin might strip the threads or cause damage to the part in which it is being used.



- To avoid misalignments, always leave the screws loose and tighten them until all pieces are positioned correctly.



- Do not overtighten or force the screws as they might break, strip, damage the threads of the holes or get stuck inside the part.



- If the hole seems too small for the screw, make sure you are using the correct size of screw and/or that you are installing it in the correct hole.



- Sometimes on the panels the laminate or material might be covering the hole partially or entirely. If there is no visible hole or it seems too small, pass and press the tip of your finger over the area where the hole should be located to feel its indentation, and once found, carefully pierce the laminate to uncover the hole underneath.



ASSEMBLY STEPS

STEP 1

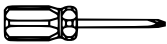
This step requires of 2 persons



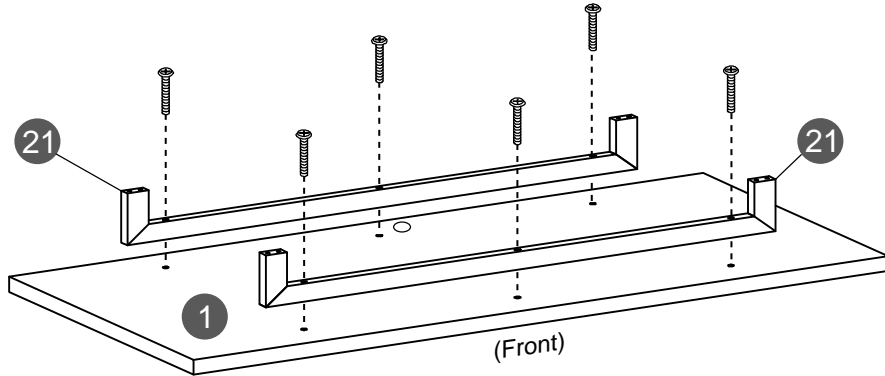
Hardware

**D**  6 Pcs  
M6x40

Tools (included)



- With the help of another person, place the tabletop **1** upside-down over a large blanket to protect its top surface.
- Assemble the long support bars **21** to the tabletop **1** with screws **D**.

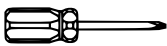


STEP 2

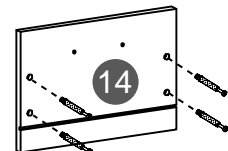
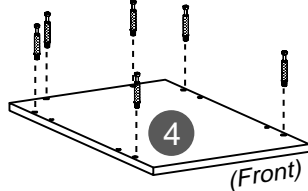
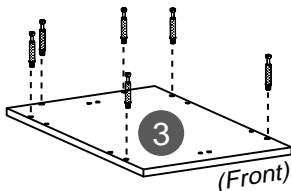
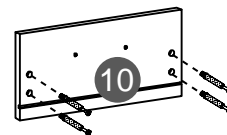
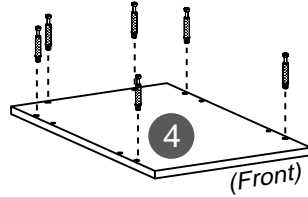
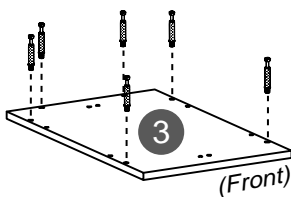
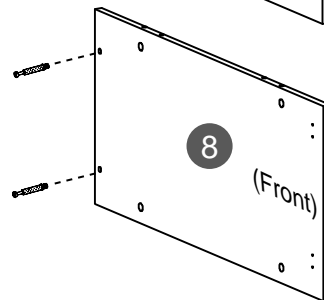
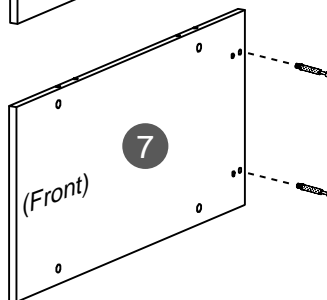
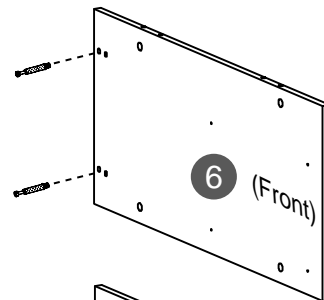
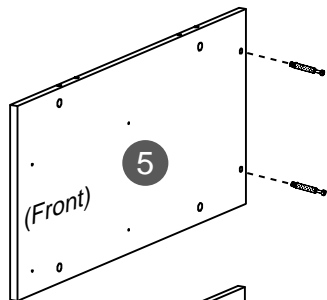
Hardware

**A**  40 Pcs  
M6x35 Bolt

Tools (included)



Install the bolts **A** into the indicated holes on panels **3, 4, 5, 6, 7, 8, 10** and **14**.





**STEP 3**

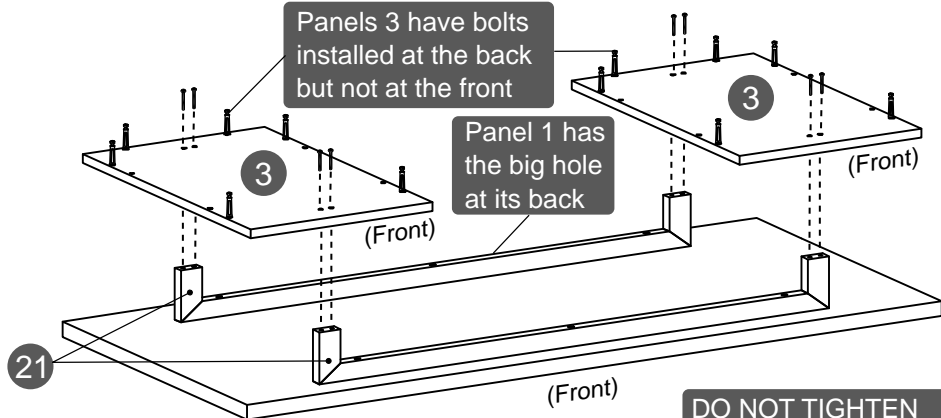
**Hardware**

E		8
	M6x35	Pcs

**Tools (included)**




Assemble the cabinet panels **3** to the bars **21** with screws **E**, but DO NOT TIGHTEN YET to allow flexibility later on when working on step **9**.



**STEP 4**

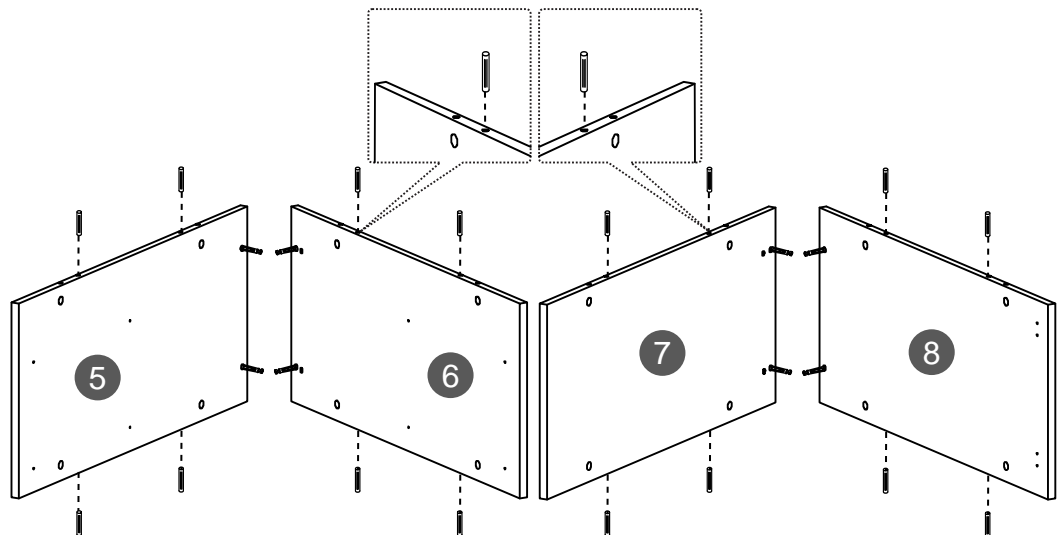
**Hardware**

B		16
	Ø8x30	Pcs

**Tools (NOT included)**

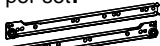
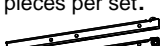
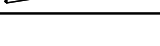



Insert the dowels **B** into the indicated holes on panels **5**, **6**, **7** and **8**.



**STEP 5**

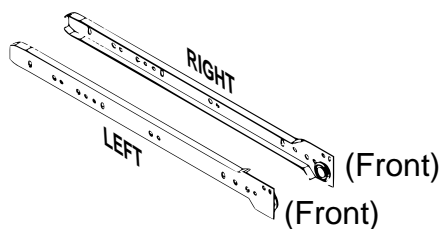
**Hardware**

24	2 "flat" pieces per set:	
	2 "L shape" pieces per set:	
		
		

Grab the 2 sets of sliders **24** (total 8 pieces) and separate them into 2 groups according to their shape:

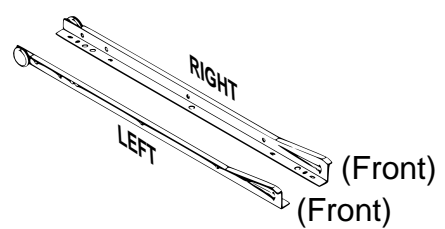
- The "flat" ones will be used on the next step.
- The "L" shaped will be used until step **17**, set them aside.

**24 "Flat"**



The "flat" ones will be used on the next step.


**24 "L" Shaped**



The "L" shaped will be used until step **17**, set them aside.

**STEP 6**

**Hardware**

J		8
	M3x14	Pcs

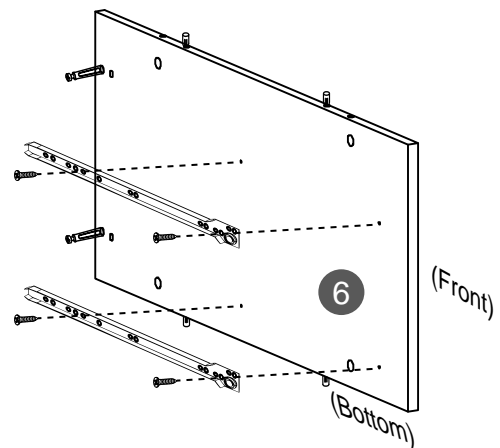
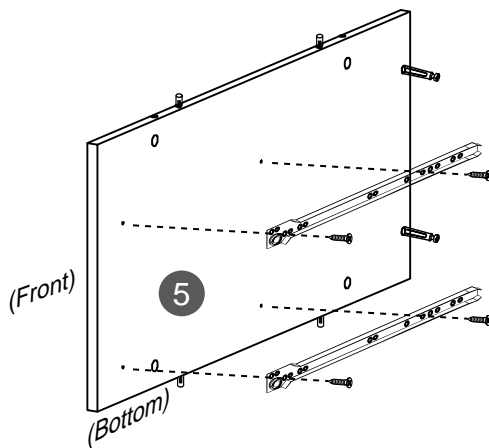
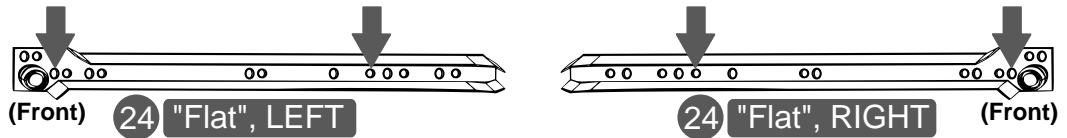
**Tools (included)**



Assemble the "Flat" sliders **24** to the side panels **5** (left) and **6** (right) with screws **J** respectively (left sliders to **5**, right sliders to **6**).

**NOTES:**

- The wheels go towards the front of the panels.
- Attach first on the front, through the **3rd** hole on the slider.
- The sliders will show 2 free holes above the wheels.



**STEP 7**

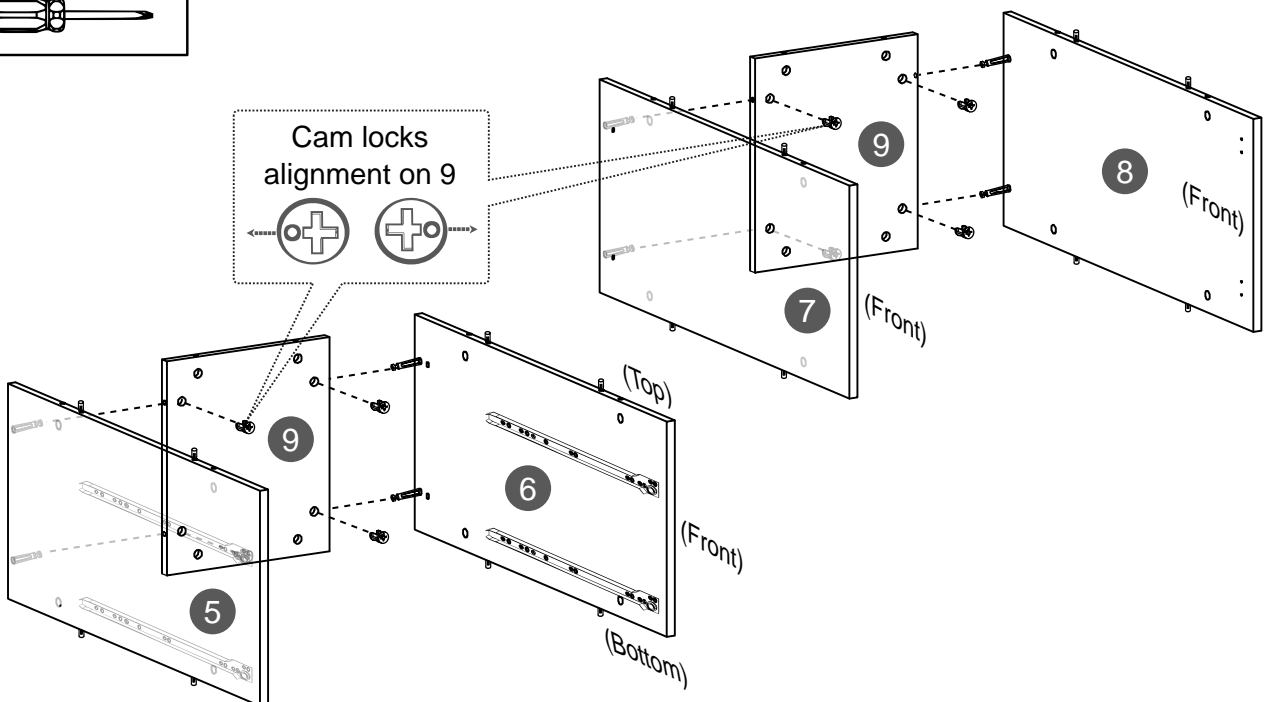
**Hardware**

A		8
	Cam lock	Pcs

**Tools (included)**



- Join the side panels **5** and **6** to back panel **9**, insert the cam locks on panel **9** and turn them to lock the pieces as explained in page **5**.
- Join the side panels **7** and **8** to back panel **9**, insert the cam locks on panel **9** and turn them to lock the pieces as explained in page **5**.



**STEP 8**

This step requires of 2 persons



**Hardware**

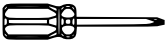
A



12 Pcs

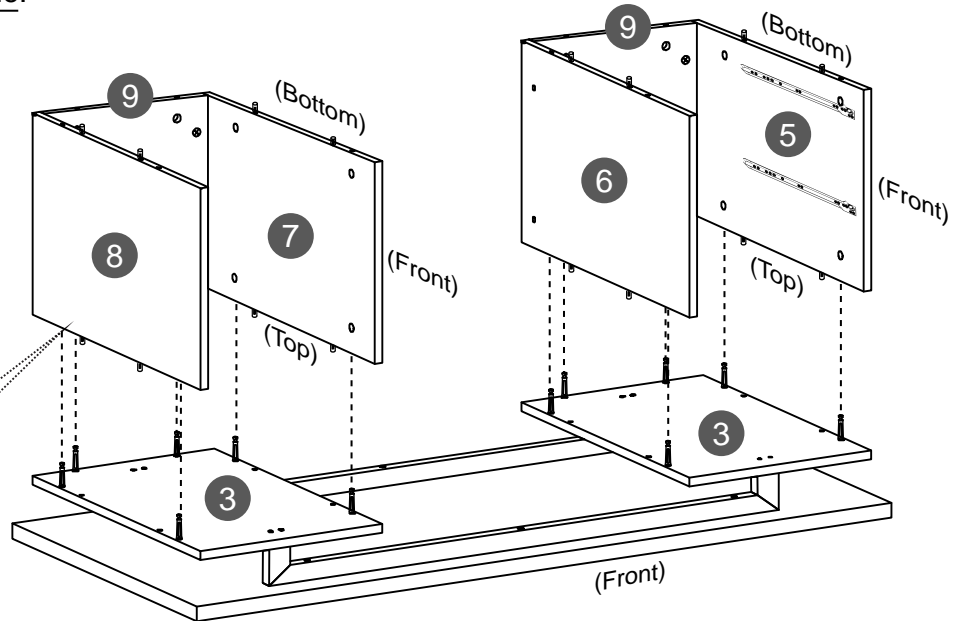
Cam lock

**Tools (included)**



- With the help of another person, place the panels **5-6-9** upside-down over the panel **3** located on your RIGHT (with tabletop front facing towards you) and assemble the pieces with cam locks **A** as explained in page **5**.
- Follow the same procedure for panels **7-8-9** to panel **3** located on your LEFT.
- Please note that when the item is completely finished, the drawers will be on the LEFT and the storage door on the RIGHT; interchanging the sections is not possible.

Cam locks alignment on 5, 6, 7, 8 & 9



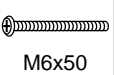
**STEP 9**

This step requires of 2 persons



**Hardware**

C



4 Pcs

M6x50

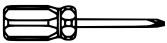
L



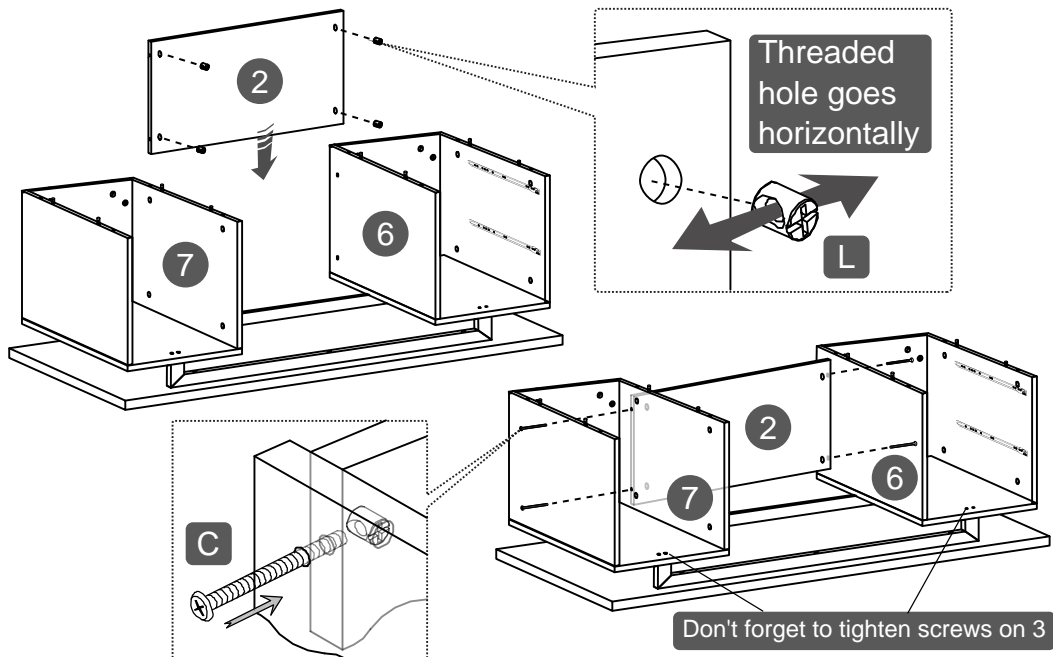
4 Pcs

M6-Ø10

**Tools (included)**



- Insert the nuts **L** into the middle back panel **2** in a way that the threaded holes run horizontally, then with the help of another person, assemble the panel to the side panels **6** and **7** with screws **C**.
- If the screws don't seem to catch into the threaded hole of the nuts, first make sure the nuts are aligned to receive the screw and that the screws for panel **3** are loosen for flexibility (refer to step **3**).
- After installing panel **2**, tighten the screws on panel **3**.



**STEP 10**

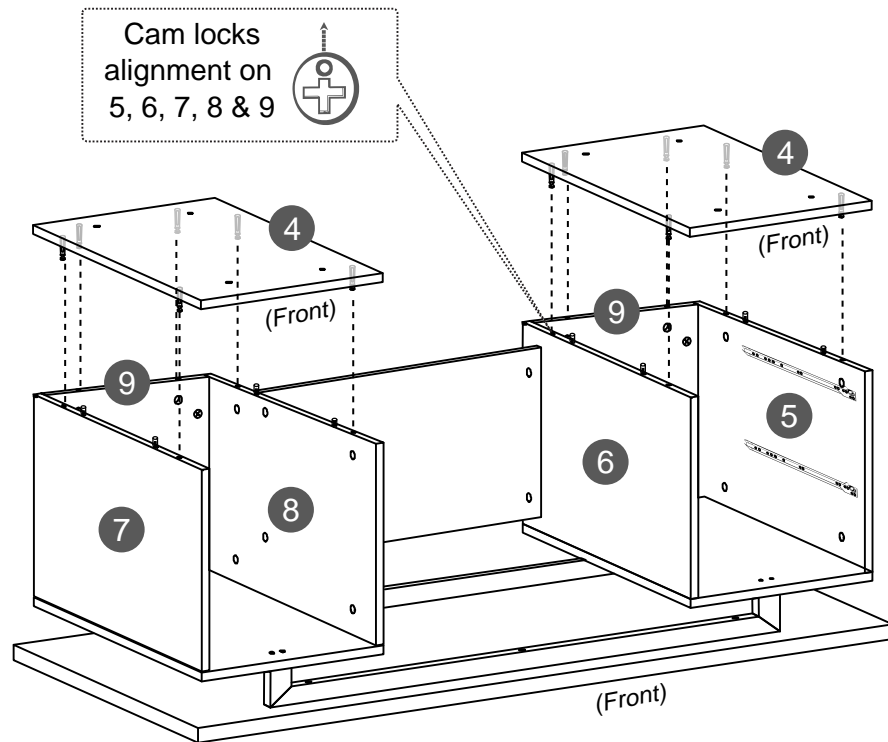
**Hardware**

A		12
	Cam lock	Pcs

**Tools (included)**

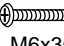


Assemble the bottom panels **4** to both cabinets with cam locks **A** as explained in page **5**.

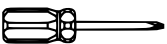


**STEP 11**

**Hardware**

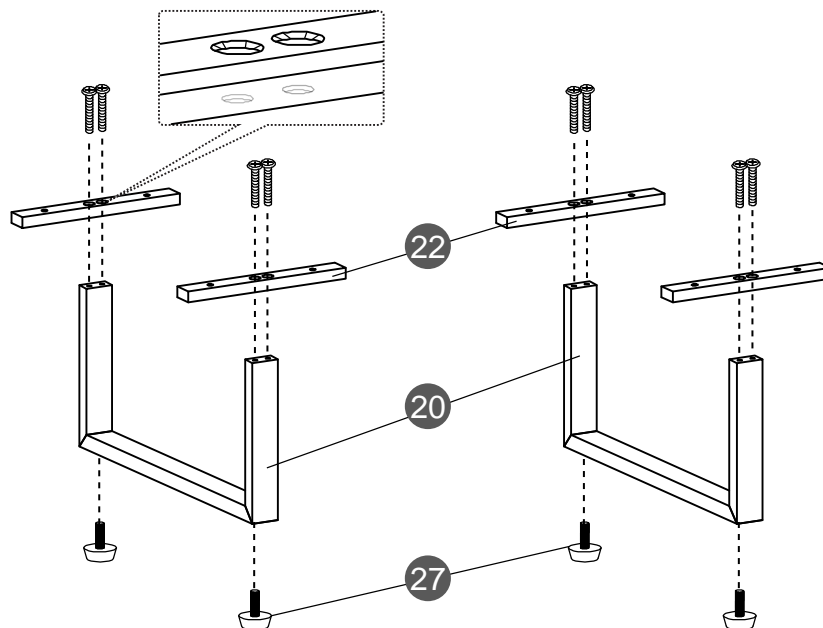
E		8
	M6x35	Pcs

**Tools (included)**



- Assemble the metal supports **22** to the metal "U" legs **20** with screws **E** as shown. Please note that the indented holes in the middle go facing UP as they will make the screw heads flushed for the next step.
- Attach the glide studs **27** to the bottom of the legs **20**.

**Indented holes face UP**

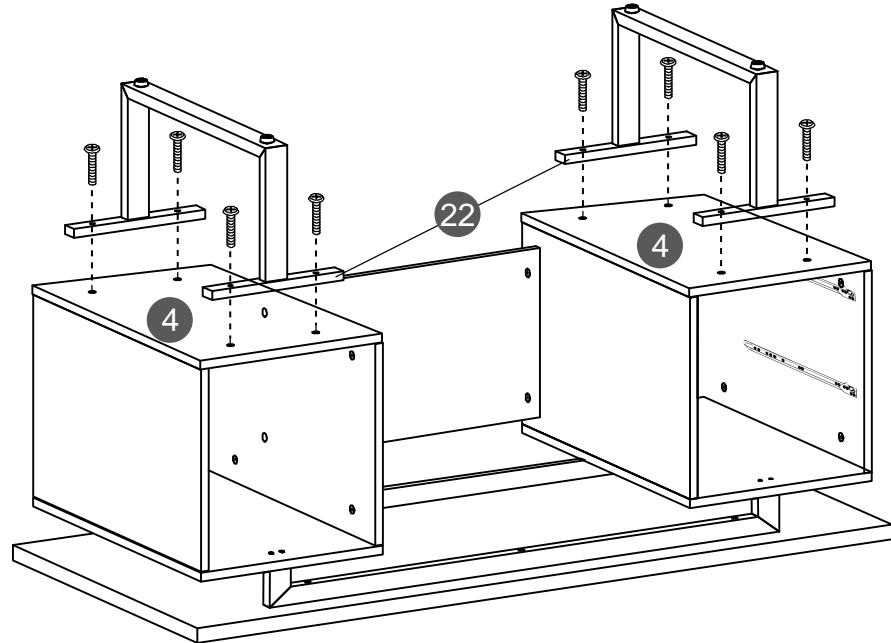


**STEP 12****Hardware**


F		8
	M6x25	Pcs

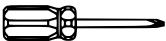
**Tools (included)**

- Assemble the support **22** to the bottom panels **4** with screws **F**.

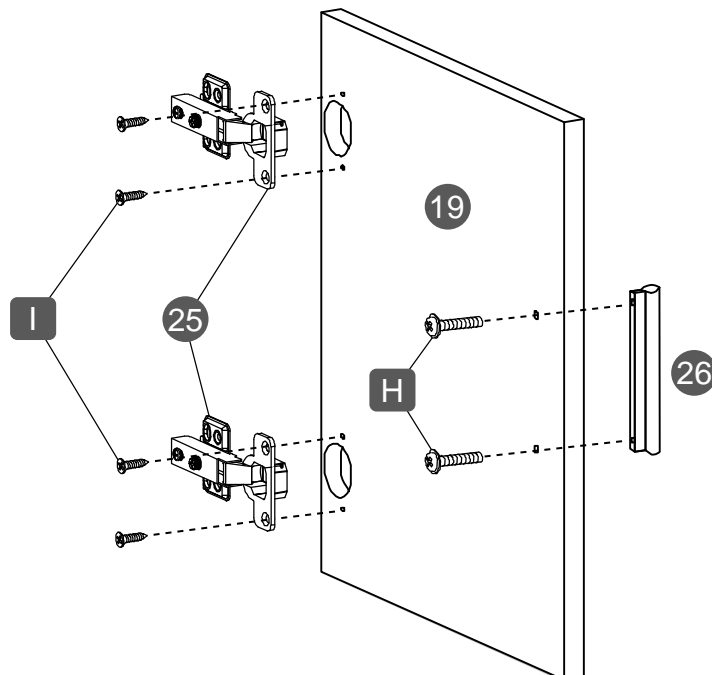
**STEP 13****Hardware**

H		2
	M4x22	Pcs

I		4
	M3.5x14	Pcs

**Tools (included)**



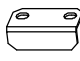
- Assemble the hinges **25** to the door **19** with screws **I**.
- Assemble one of the handles **26** to the door **19** with screws **H**.



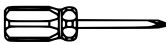
**STEP 14**

This step requires of 2 persons 

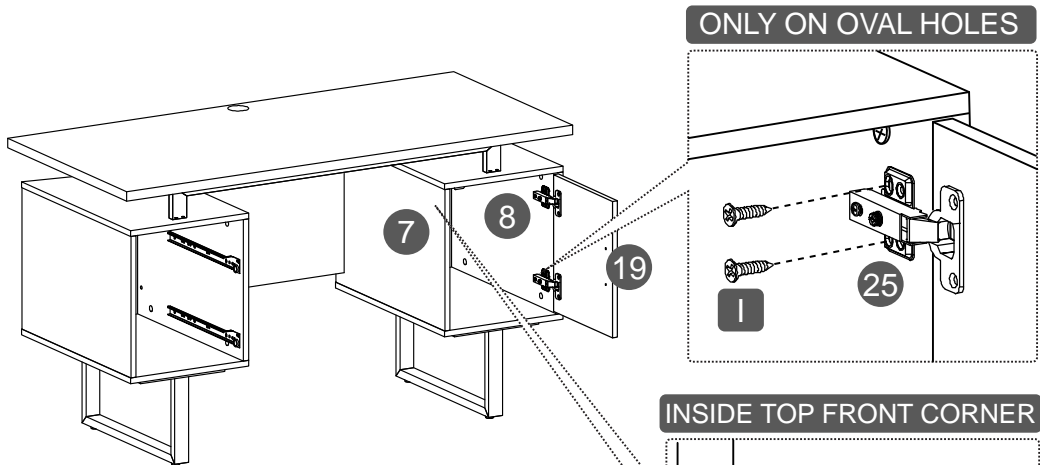
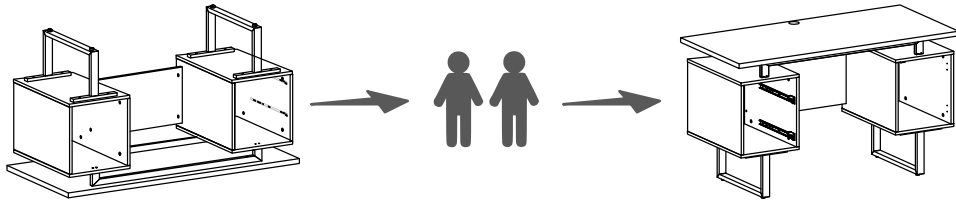
**Hardware**

<b>I</b>	 M3.5x14	8 Pcs
<b>J</b>	 M3x14	2 Pcs
<b>K</b>		1 Pc

**Tools (included)**



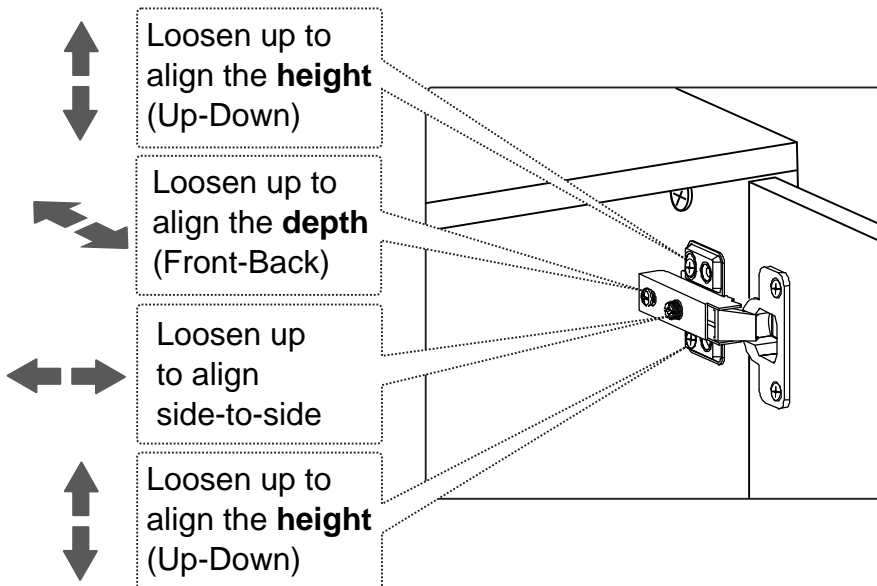
- With the help of another person, carefully turn the unit built in step 12 upright.
- Attach the bracket (door stopper) **K** to the upper front corner inside the middle-left side panel **7** with screws **J**.
- With the help of another person, assemble the hinges **25** from the door **19** to the right side panel **8** with screws **I** on the **oval holes only**.
- Check to make sure the door closes smoothly, but if not, adjust its alignment as shown below, and when done, secure the hinges with screws **I** on the **round holes**.



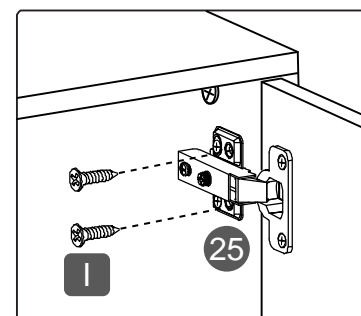
**ONLY ON OVAL HOLES**

**INSIDE TOP FRONT CORNER**

To adjust the alignment of the door, loosen up the following screws, align the door accordingly, then re-tighten:




After the alignment is done, screw on round holes

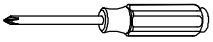


**STEP 15**

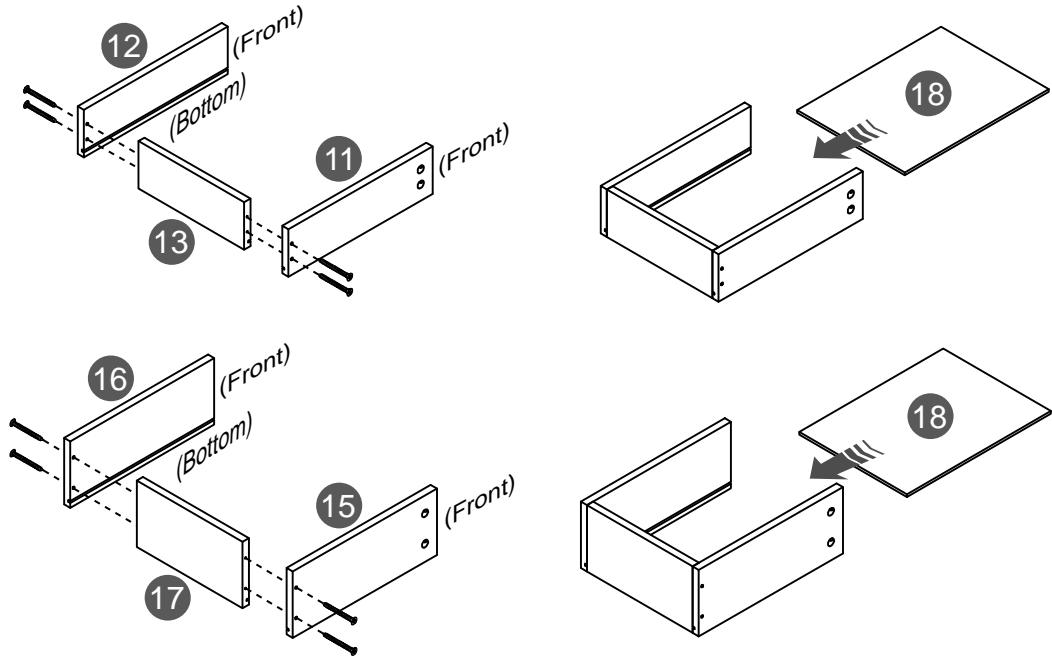
**Hardware**

<b>G</b>		8
	M3.5x40	Pcs

**Tools (included)**



- For the small drawer, assemble the side panels **11** and **12** to the back panel **13** in their respective sides with screws **G**, then slide the bottom board **18** through the grooves of the side panels and into the back panel.
- For the big drawer, assemble the side panels **15** and **16** to the back panel **17** in their respective sides with screws **G**, then slide the bottom board **18** through the grooves of the side panels and into the back panel.



**STEP 16**

**Hardware**

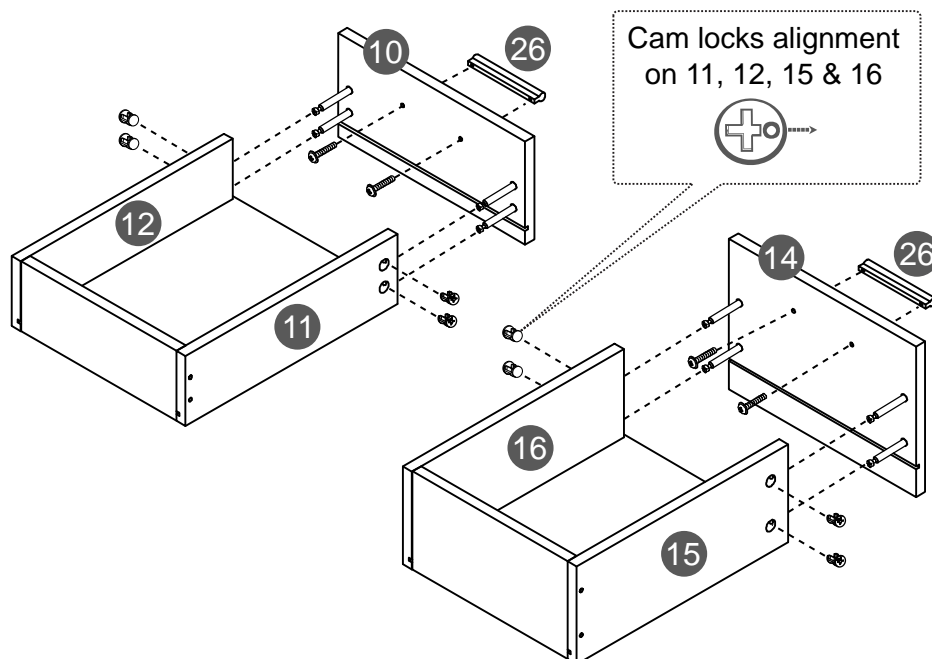
<b>A</b>		8
	Cam lock	Pcs

<b>H</b>		4
	M4x22	Pcs

**Tools (included)**



- For the small drawer, assemble the front panel **10** to the side panels **11** and **12** with cam locks **A** as explained in page 5.
- For the big drawer, assemble the front panel **14** to the side panels **15** and **16** with cam locks **A** as explained in page 5.
- For both drawers, attach the handles **26** to their front panels with screws **H**.

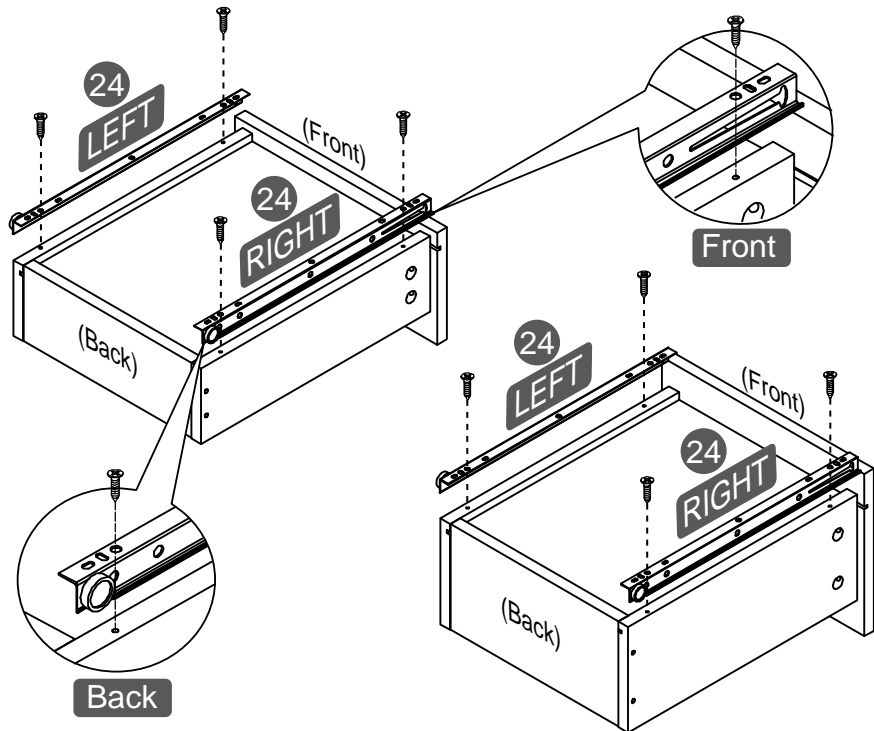


**STEP 17****Hardware**

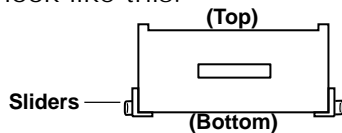
<b>J</b>		8 Pcs
	M3x14	

**Tools (included)**

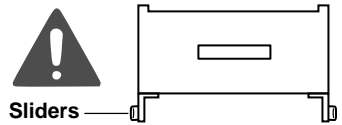
- For each of the drawers, flip them upside-down and assemble the L shaped sliders **24** to the side panels on the bottom with screws **J**.
- **NOTES:**
  - The wheels go towards the back of the drawers.
  - The sliders should not protrude on the bottom; if they do, the drawers will raise 1" more and won't fit on the desk.



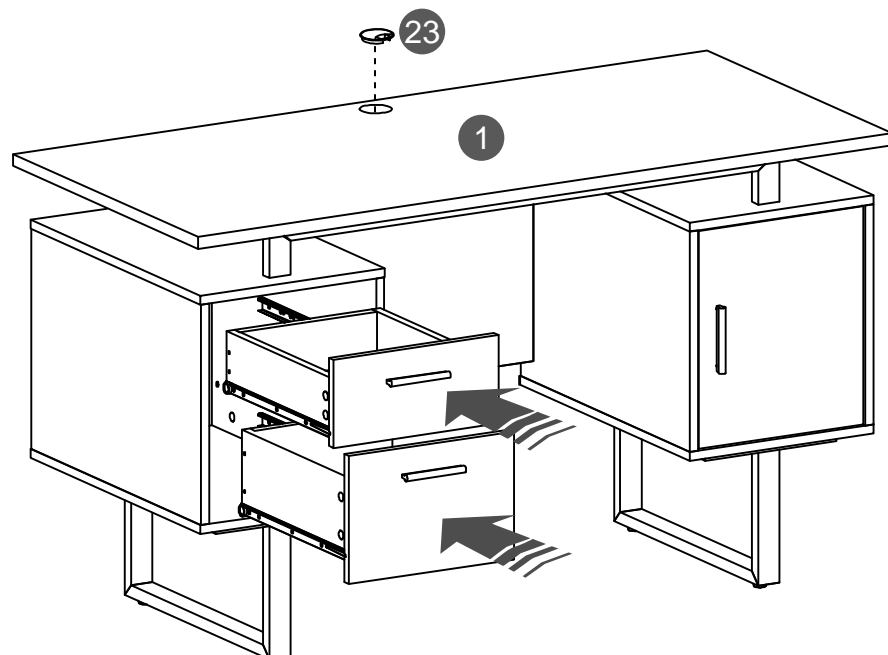
When finished, the sliders look like this:



If you install as below, the drawer raises 1" and won't fit in the unit.

**STEP 18**

- Insert the drawers into the cabinet, the bottom drawer first, then insert the top drawer at an angle with its front facing down.
- Attach the grommet **23** into the hole of the tabletop **1**.

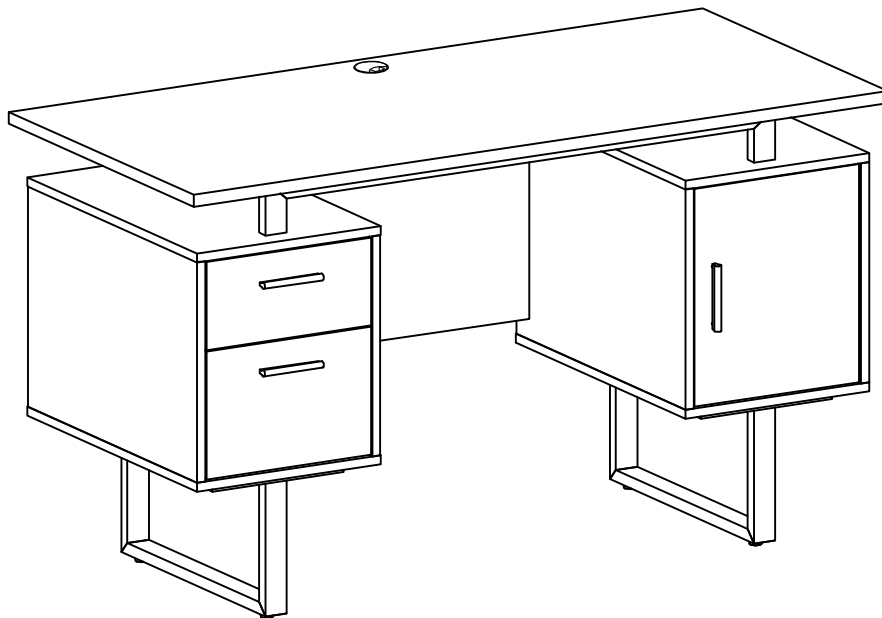






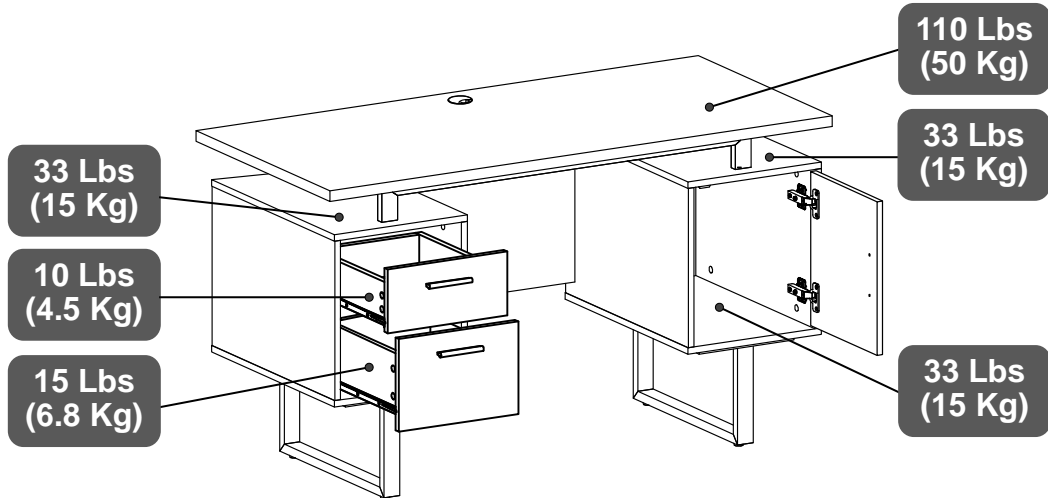
## ALL DONE!

Give yourself a nice pat on the back, you did a great job!



ENJOY YOUR NEW UNIT!



**WEIGHT LIMITS****WARNINGS**

- Do not exceed the indicated weight limits.
- Do not expose the surfaces to direct sunlight or to extreme environmental conditions.
- Do not use solvents or abrasive materials to clean the unit.
- Do not sit on the unit or lean against it.
- Do not allow small children to play under or over the unit.
- Do not allow small children to reach inside the drawers or storage without your supervision.
- Do not pull, push or drag the unit to move it for more than 1 feet. The unit must be lifted by at least 2 persons when moving in the same or adjacent rooms.
- Before moving the unit, make sure to secure or remove any object that is heavy or might fall off.
- Please note that lifting from the tabletop with too much weight on the product might lead to part damage/separation.
- When lifting the unit, use both hands and bend your knees, not your backs.

**CARE AND MAINTENANCE**

- Clean the surfaces preferable with a clean cloth dampened in a solution of mild soap and water, then dry with a clean towel.
- If you decide to use a cleaning agent, test first on an area hidden from view such as underneath the tabletop.
- Every 4 months, inspect the unit completely and make sure that all screws are tighten.
- When transporting the unit to places far away, protect and secure the unit to avoid damage in transit.
- Shall any part of the unit become defective during the warranty period, replacement parts might be available to you at no charge. Please refer to the last pages on this manual.
- The warranty does not extend to regular wear and tear, nor the manufacturer assumes liability for damages or consequences due to accidents, incorrect assembly, negligence, improper use, modifications, or not heeding the above warnings.

**TECHNI MOBILI WARRANTY****DESKS/LAPTOP CARTS/FILE CABINETS: LIMITED 5-YEAR WARRANTY**

RTA Products, LLC warrants to the Original Purchaser who acquired a new product from RTA Products or its authorized resellers that this product will be free from defects in its workmanship and materials, under normal use and service conditions, as described herein. "Defects" as used in this warranty, is defined as any imperfections that impair the use of the furniture or product. RTA Products LLC will replace any defective part, at its discretion, and without charge to the original purchaser other than the freight from the end consumer to RTA Products.

Replacement parts can only be supplied if parts are available. Items out of production may be unavailable. This warranty will be effective for the applicable time period beginning the date of purchase on your original sales receipt. RTA product's obligation under this warranty is limited to repairing or replacing products or parts as provided herein. This product has been designed for and is intended for office and home-office use only. This warranty is Original Purchaser's sole remedy for product defects, and this warranty does not extend to any product, or damage to any product, caused by or attributed to abuse or misuse, products used for commercial or rental purposes, use modifications of, or attachments to the product, and products or parts not used, maintained, or extended hereunder is in lieu of any and all other warranties, express or implied, including without limitations any implied warranty or merchantability or of fitness for a particular purpose. Please note, all desks made with PVC Laminate surface should not be exposed to direct sunlight, as it may damage the material. Damage of this nature is not covered under this warranty.

RTA Products will not be responsible for indirect, special, incidental or consequential damages. This warranty is limited to merchandise purchased in the Continental United States, excludes AK, HI and PR. Some States do not allow the exclusion or limitation of incidental or consequential damages, so the above limitations or exclusions may not apply to you. This warranty gives you specific legal rights. You may also have other rights that may vary from state to state.

RTA Products will advise you of the procedure to follow in making warranty claims. The following are the procedures for warranty claims:

- a. Call us Monday – Friday, from 9am-5pm (Eastern Time) at (866) 782-5520 to explain the defect and give your name, address and phone number. Please have ready the model number of our product, date and place of purchase. You can also write to us by e-mail to [warranty@rtaproducts.com](mailto:warranty@rtaproducts.com) and include the same information.
- b. If we determine that replacement will remedy the situation, and in order to determine the extent or the cause of the defect, purchaser will need to send the part in question at purchaser's expense. Once we receive the part, we will examine it and determine whether the claim is valid (or not), and then proceed to send the replacement. We will ship the replacement at our expense.

Your satisfaction is very important to us. Our Support agents can help you with any issues you may have, please feel free to contact us with any questions you have about our products, or to request replacement parts.

---

## **FOR ADDITIONAL INFORMATION PLUS HELP OPTIONS**

VISIT: [WWW.TECHNIMOBILI.COM](http://WWW.TECHNIMOBILI.COM)

 **CLICK ON SUPPORT TAB**

Or scan the following QR Code:



**EMAIL US:**

[support@rtaproducts.com](mailto:support@rtaproducts.com)

To request replacement parts, email us with the model number of the product, the part number or letter of the requested part, and proof of purchase.

