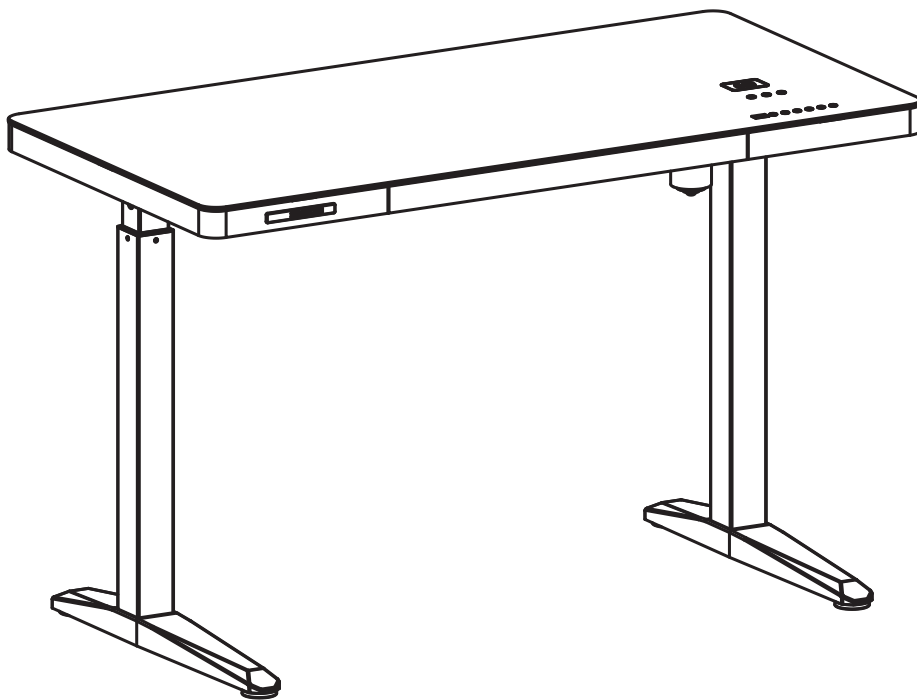


**AUTOMATIC SIT TO STAND DESK**

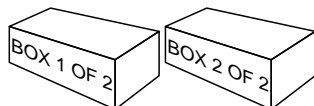
# **MODEL RTA-3950SU**

## **ASSEMBLY INSTRUCTIONS**

Thank you for purchasing our product



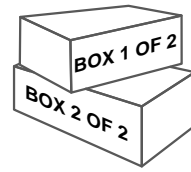
Please note that this product comes  
packaged in 2 separate boxes



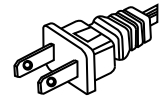
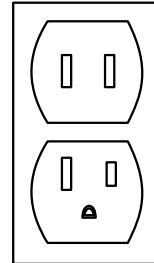
REV.OL-7168-0323



- This product comes split in 2 separate boxes.



- The unit plugs into an electrical outlet type A or B and requires AC power supply of 100V-240V. Make sure the room where the unit will be used has these capabilities.



- Do not discard this manual or any of the packaging material until the unit has been completely assembled.



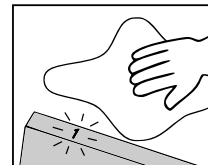
- Please read carefully the assembly instructions before the installation.



- The assembly might require of 2 persons for certain steps. Before you start the installation, make sure there is someone else nearby to help you.



- After the item is assembled, you can use rubbing alcohol to erase or remove the visible part numbers printed or labeled on the pieces.



- Please be kind to our planet, when done with the assembly, recycle any of the packaging materials that is accepted by your city or recycling service.



Thank you!



Do a quick inventory of all the parts and hardware listed below



Missing, damaged and defective parts can be replaced at no cost to you. Please refer to the last pages on this manual.

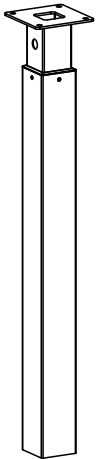


The replacement parts service is limited to the 48 contiguous United States. If you reside in AK, HI, PR, U.S. territories or other countries, please contact the supplier from where the unit was purchased.

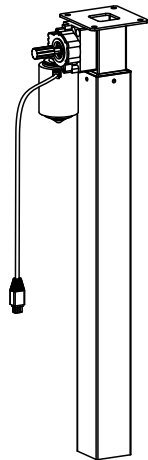


### MAIN PARTS LIST

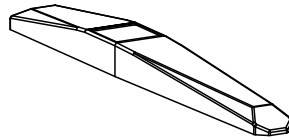
**1** Left metal leg  
x1



**2** Right metal leg with motor  
x1



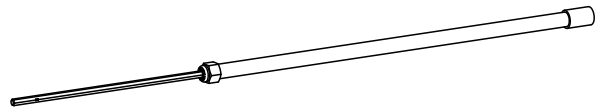
**3** Metal foot  
x2



**4** Glide stud  
x4

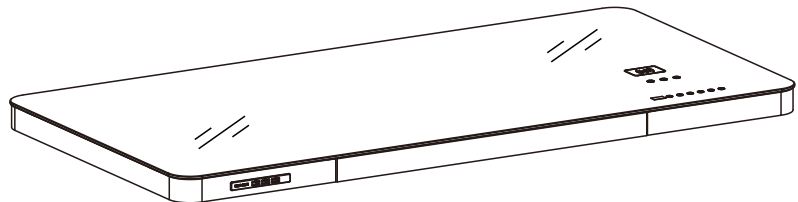


**5** Transmission rod  
x1



**6** Main unit featuring:  
x1

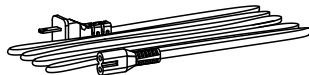
- Tempered glass top
- Pull-out drawer
- Height adjust control panel
- USB 3.0 hub
- Bluetooth® speaker
- Wireless charger



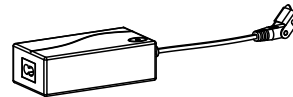
**7** Self-adhesive cable clip  
x2



**8** Power cable  
x1



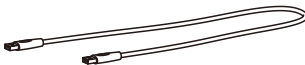
**9** Main AC Power adapter  
x1



**10** Control panel cable  
x1



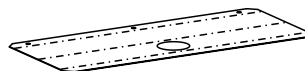
**11** USB Cable  
x1



**12** Speaker/Wireless charger AC adapter  
x1



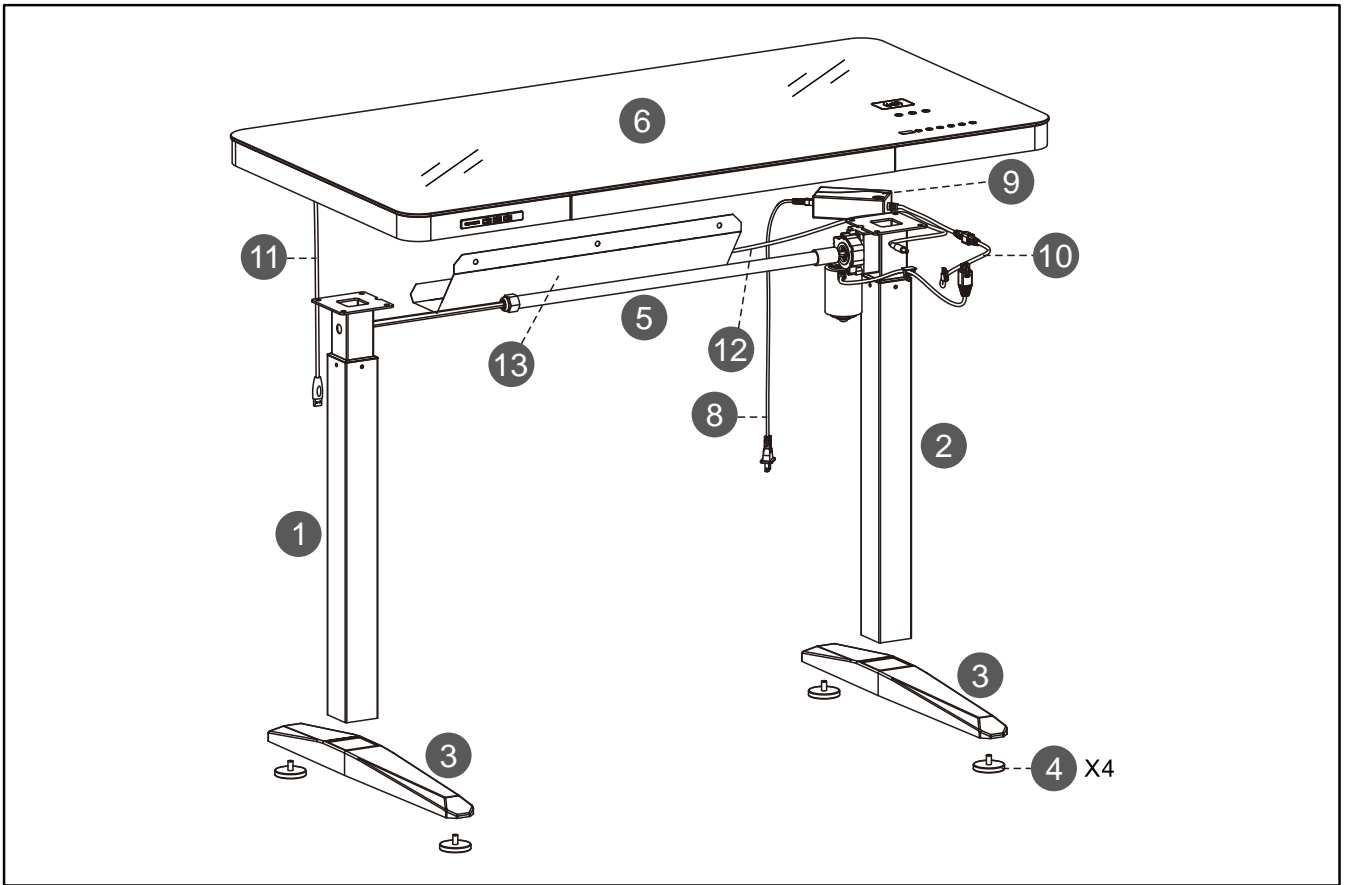
**13** Foldable metal plate  
x1



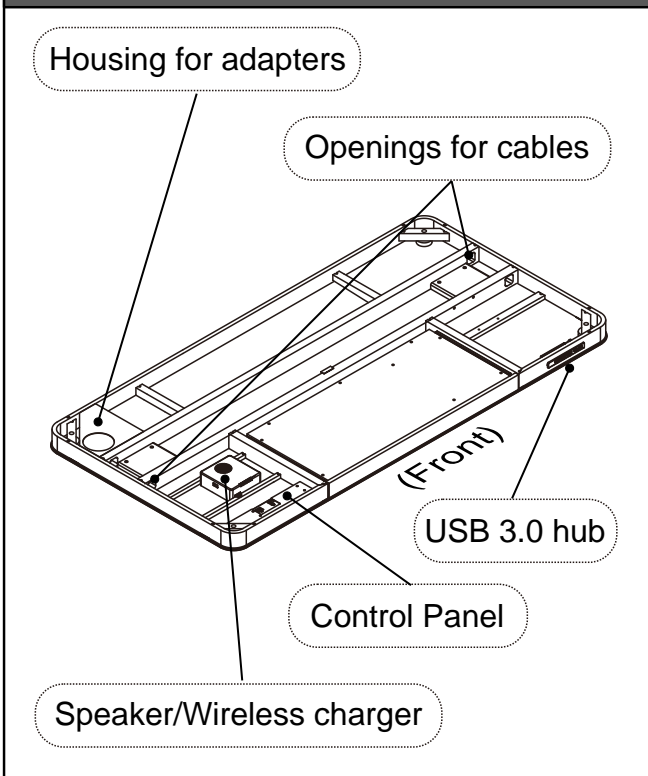
**14** Folding molding  
x1



**MAIN PARTS LAYOUT (For reference)**



**MAIN UNIT'S COMPONENTS LOCATION (FOR REFERENCE)**



**SCREWS LIST**

PART	QTY	SIZE	ITEM
A	8	M8x15	0 10 20 30 40
B	8	M8x25	0 10 20 30 40
C	3	M6x12	0 10 20 30 40
D	16	Ø10mm	0 10 20 30 40
E	16	Ø20mm	0 10 20 30 40

**INCLUDED TOOLS**

1	Phillips Screwdriver	
1	M4 Allen Wrench	
1	M6 Allen Wrench	

## ASSEMBLY STEPS

We recommend to place the pieces over blankets to protect their surfaces during assembly. Please note that the item assembles upside-down.

## STEP 1

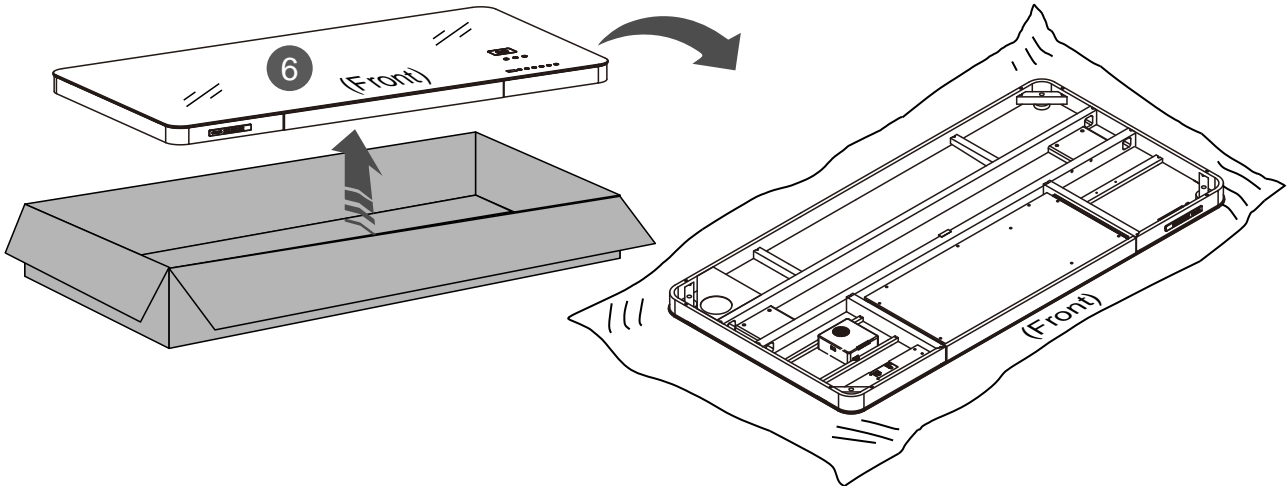
This step  
requires of  
2 persons



With the help of another person, carefully remove the main unit from the carton and place it upside-down over a blanket to protect its glass surface.

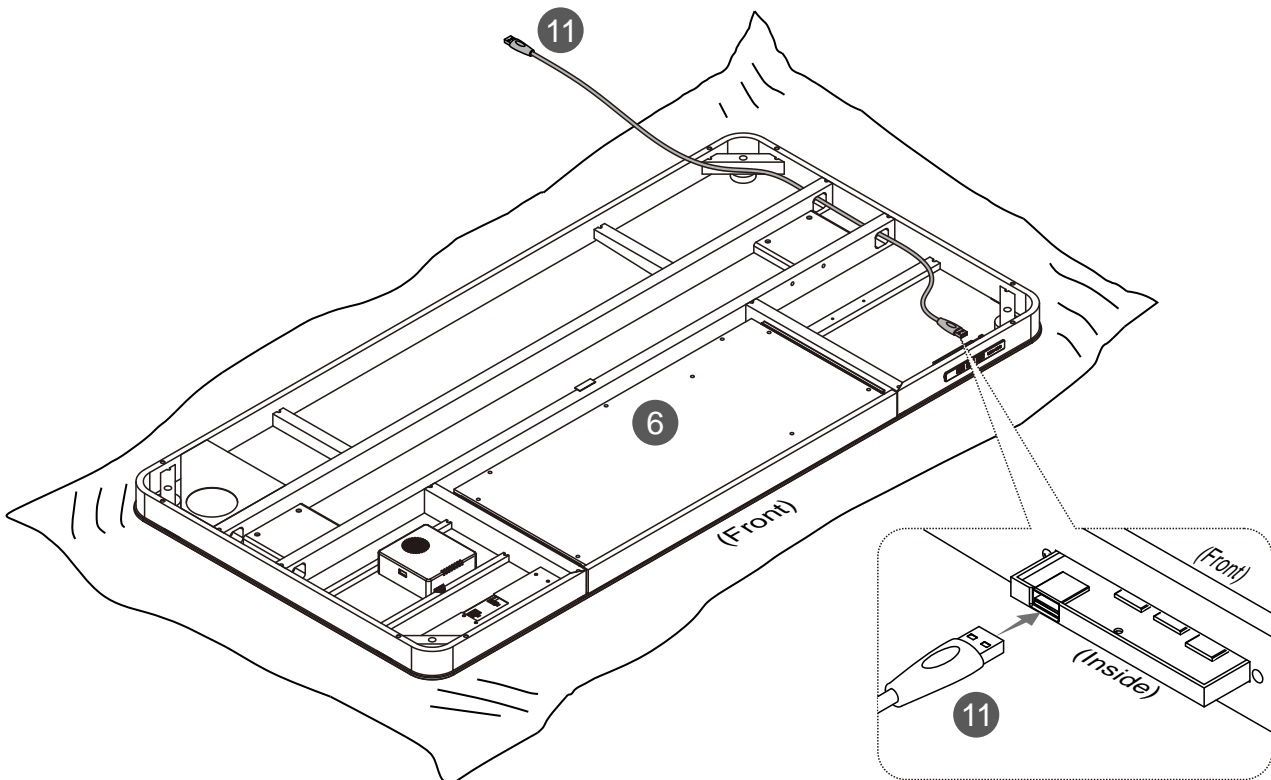


DO NOT GRAB/HOLD/LIFT FROM THE GLASS  
PANEL, ONLY FROM THE METAL FRAME



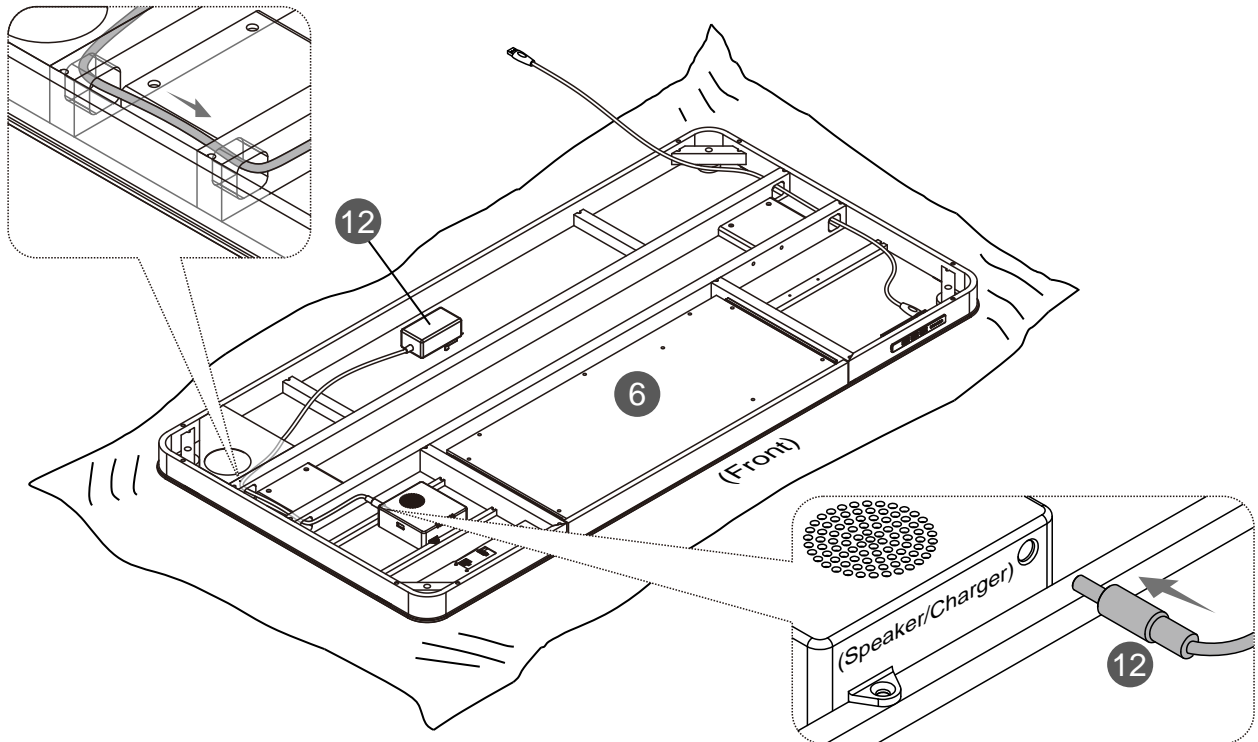
## STEP 2

With the front of the main unit **6** as reference for orientation, on the RIGHT side insert the USB cable **11** through the indicated openings on the frame of the main unit from the back, and connect one end into the USB port on the inside as shown.



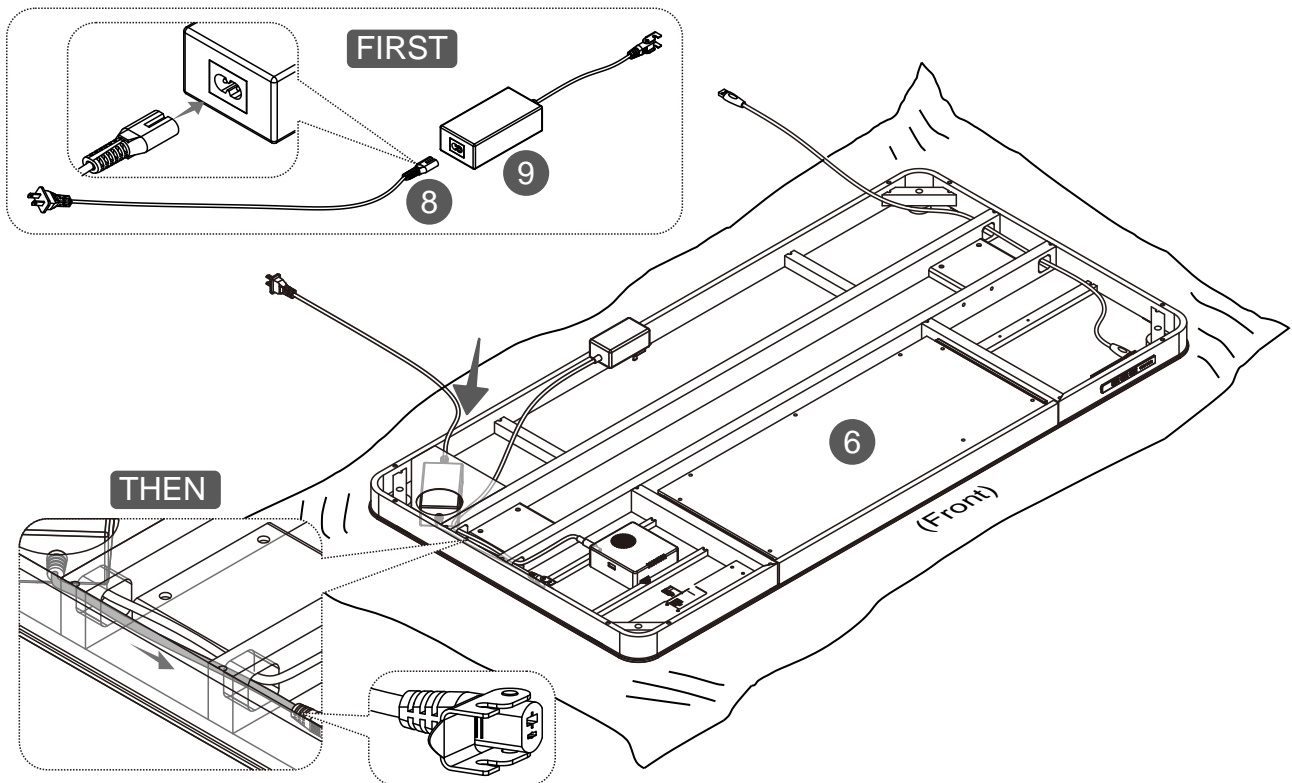
## STEP 3

On the LEFT side of the main unit, insert the cable from the Speaker's AC adapter 12 through the indicated openings on the frame from the back and into the receptacle on the back of the speaker/wireless charger box as shown.



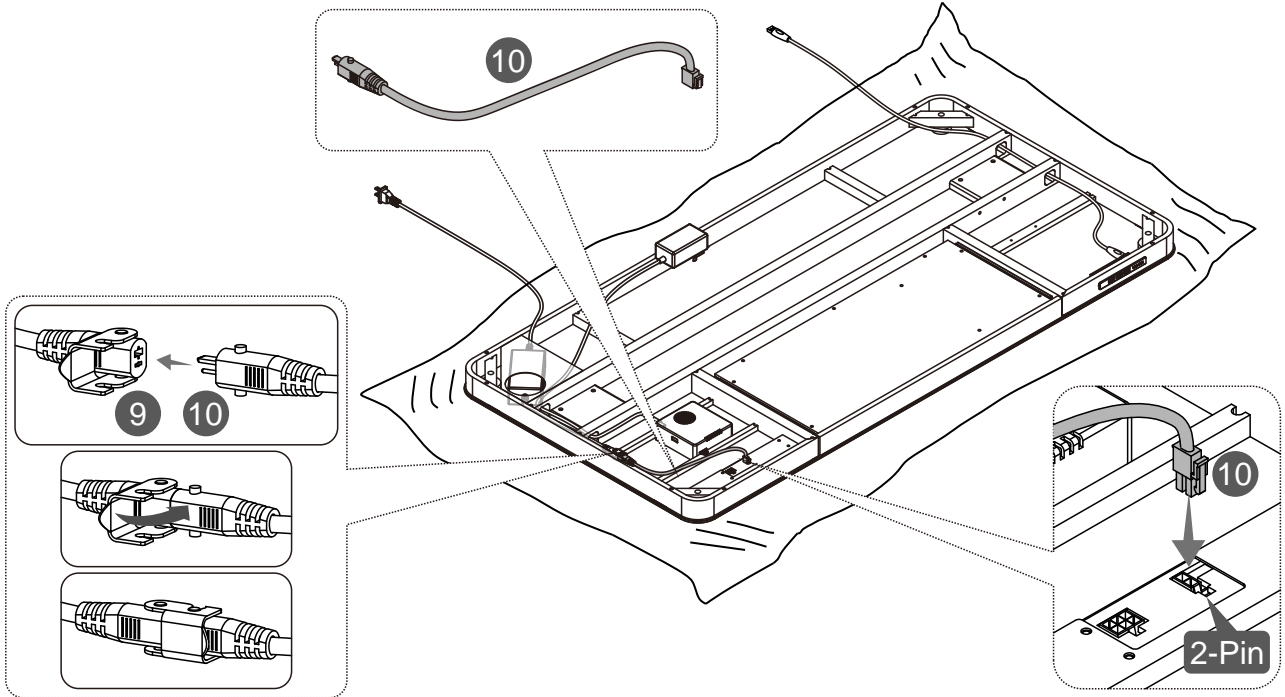
## STEP 4

First attach the power cable 8 to the main AC power adapter 9, then on the left side of the main unit, insert the end with the latch under the housing with the big hole and through both openings of the frame as shown.



## STEP 5

- On the left side of the main unit, connect the control panel cable **10** to the cable from the main AC power adapter **9** and make sure to latch both ends securely as shown.
- Then connect the other end of the cable **10** to the 2-Pin socket located at the front.



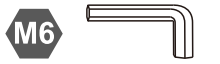
## STEP 6

This step requires of 2 persons

### Hardware

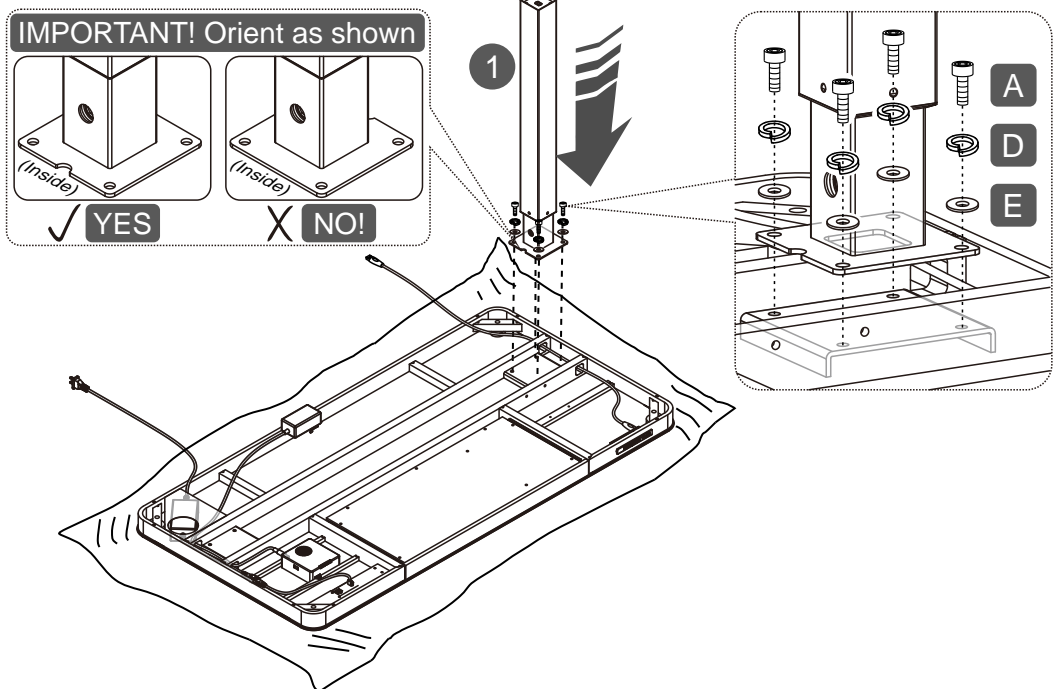
<b>A</b>	M8x15	4 Pcs
<b>D</b>	Ø10mm O-ring	4 Pcs
<b>E</b>	Ø20mm Washer	4 Pcs

### Tools (included)



With the help of another person, assemble the left metal leg **1** on the RIGHT side of the main unit with screws **A**, O-rings **D** and washers **E**, but pay attention to the following:

- The washer **E** goes flushed to the leg.
- There is an **INDENTATION** on the metal plate that must go facing towards the inside of the unit.



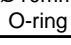


## STEP 7

This step  
requires of  
2 persons



## Hardware

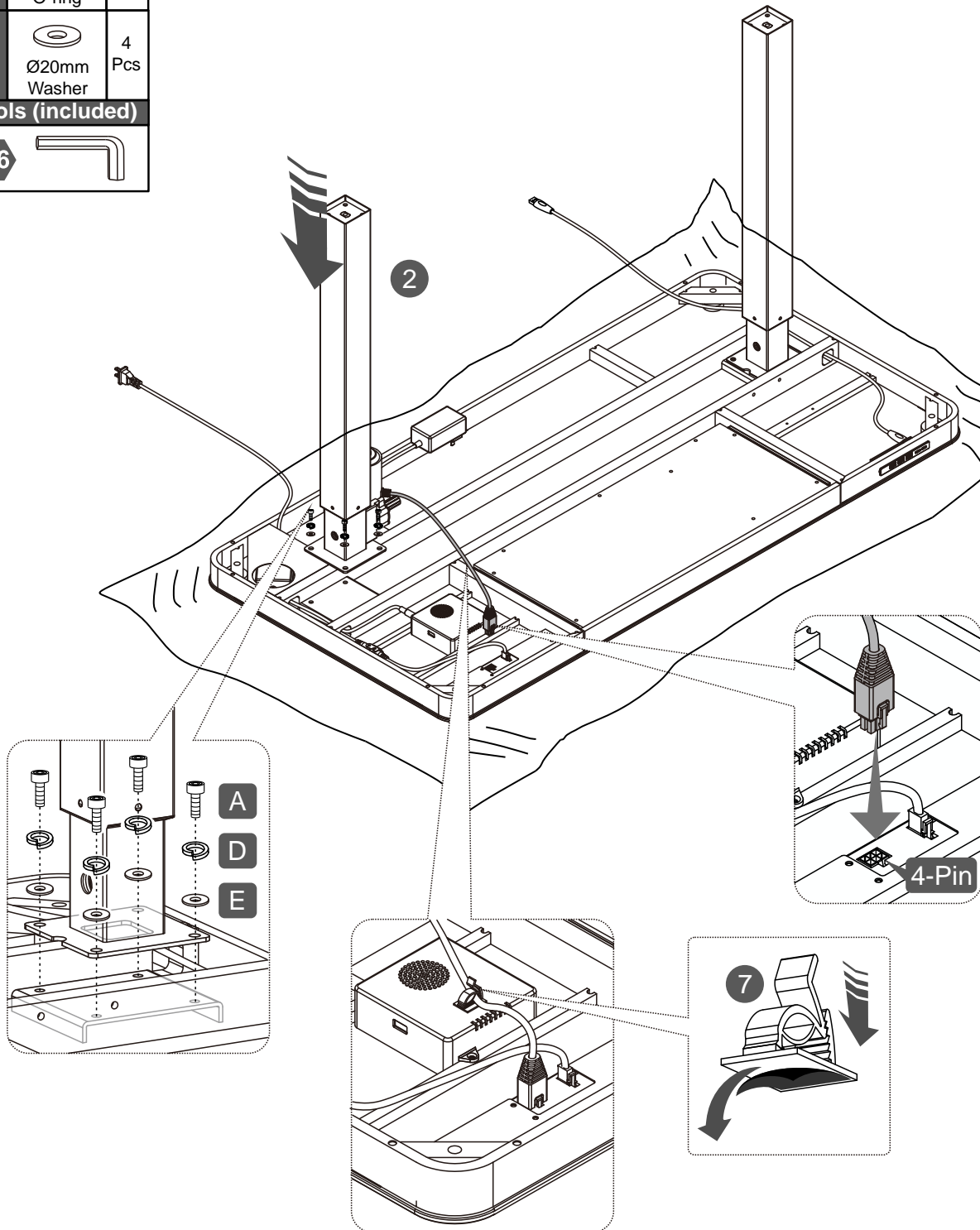
A	 M8x15	4 Pcs
D	 Ø10mm O-ring	4 Pcs
E	 Ø20mm Washer	4 Pcs

## Tools (included)

M6



- With the help of another person, assemble the right metal leg **2** on the LEFT side of the main unit with screws **A**, O-rings **D** and washers **E**, making sure the motor faces towards the inside of the unit.
- Connect the end of the cable from the motor into the 4-Pin socket located at the front.
- Attach the self-adhesive cable clip **7** to the speaker box to organize the cable from the motor.



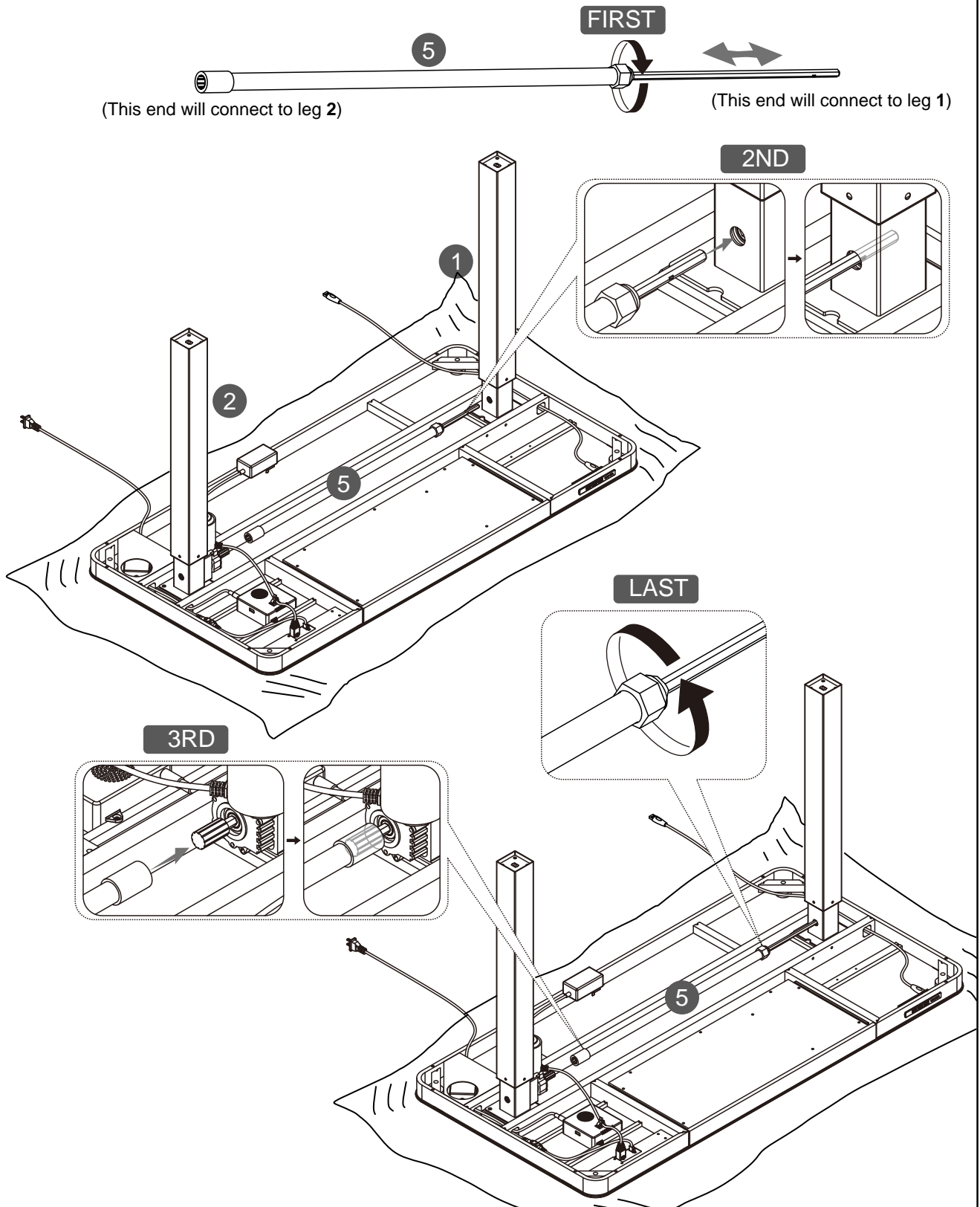


## STEP 8

This step  
requires of  
2 persons






- Loosen up the nut on the transmission rod **5** to allow its inner shaft to slide.
- With the help of another person, first insert the end of the retractable shaft into the leg **1** (the one without the motor) and keep holding it firmly.
- Connect the other end of the transmission rod to the gear of the leg **2** (with the motor).
- Tighten the nut of the transmission rod **5**.



## STEP 9

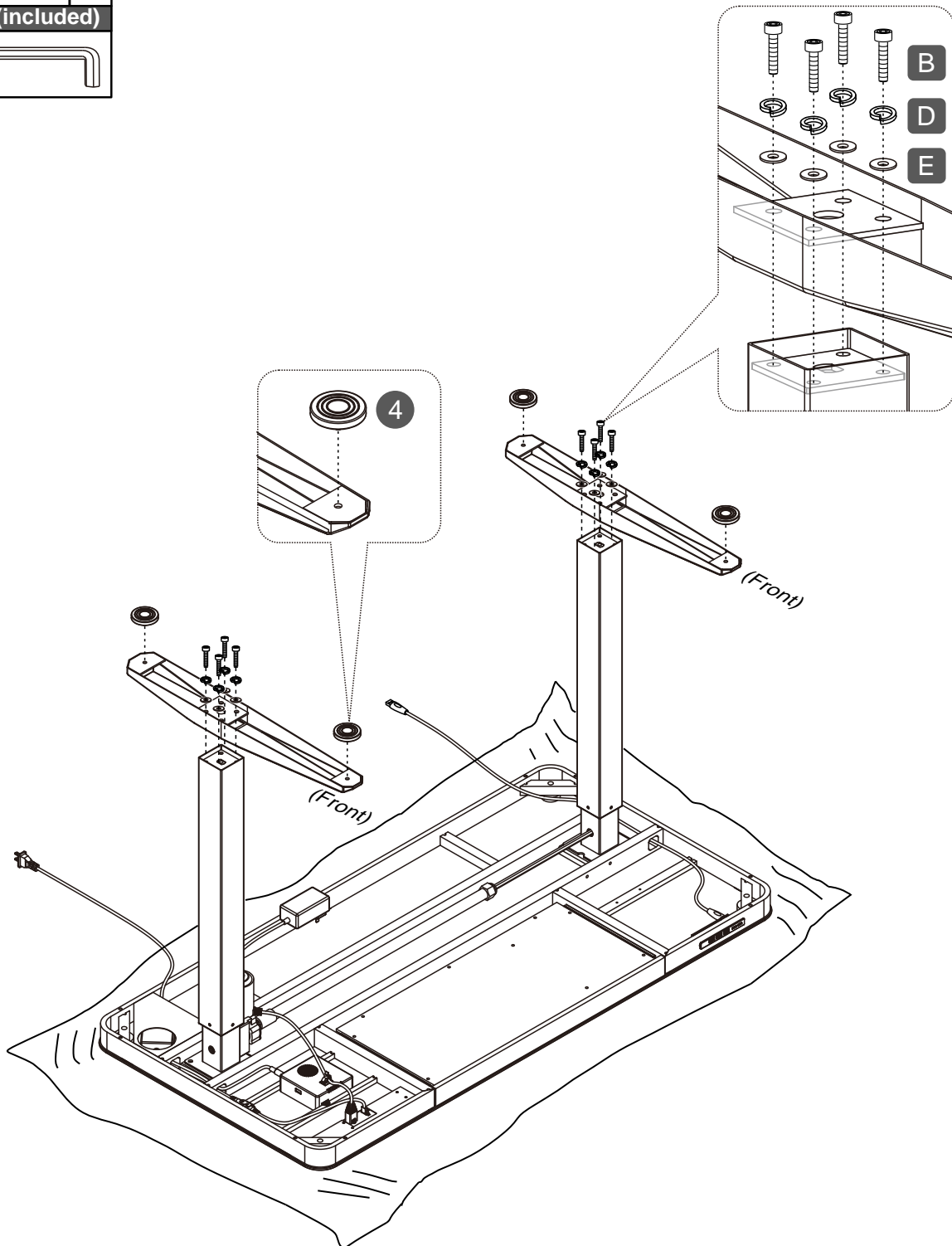
## Hardware

B	 M8x25	8 Pcs
D	 Ø10mm	8 Pcs
E	 Ø20mm	8 Pcs

## Tools (included)



- Assemble the metal feet **3** to the legs **1** and **2** with screws **A**, O-rings **D** and washers **E**, paying attention to the orientation of the feet, and making sure that the washer **E** goes flushed to the feet.
- Attach the glide studs **4** to the feet **3**.



## STEP 10

## Hardware

C

M6x12

3  
Pcs

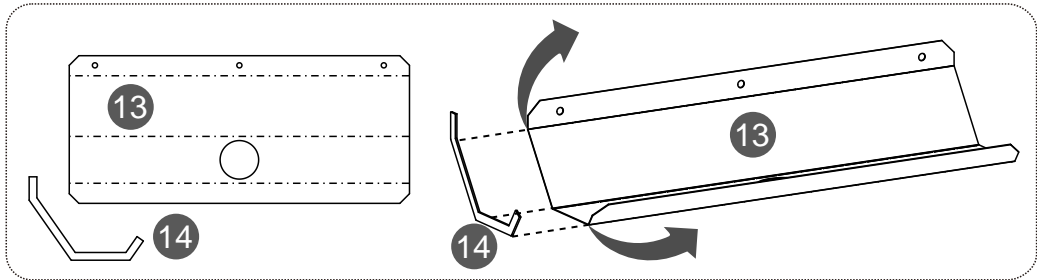
## Tools (included)

M4

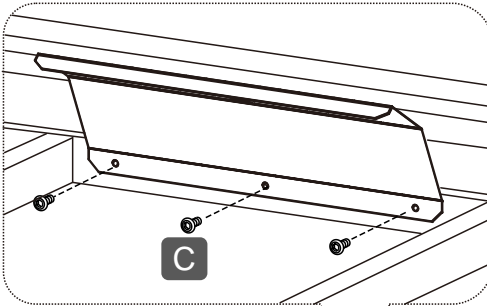


- Use the molding **14** as reference to fold into its shape the metal plate **13**.
- Assemble the plate **13** to the frame of the main unit **6** with screws **C** as shown.
- Pass through the big hole of the plate **13** the power cable **8**, the USB cable **11** and the speaker A/C adapter **12**.

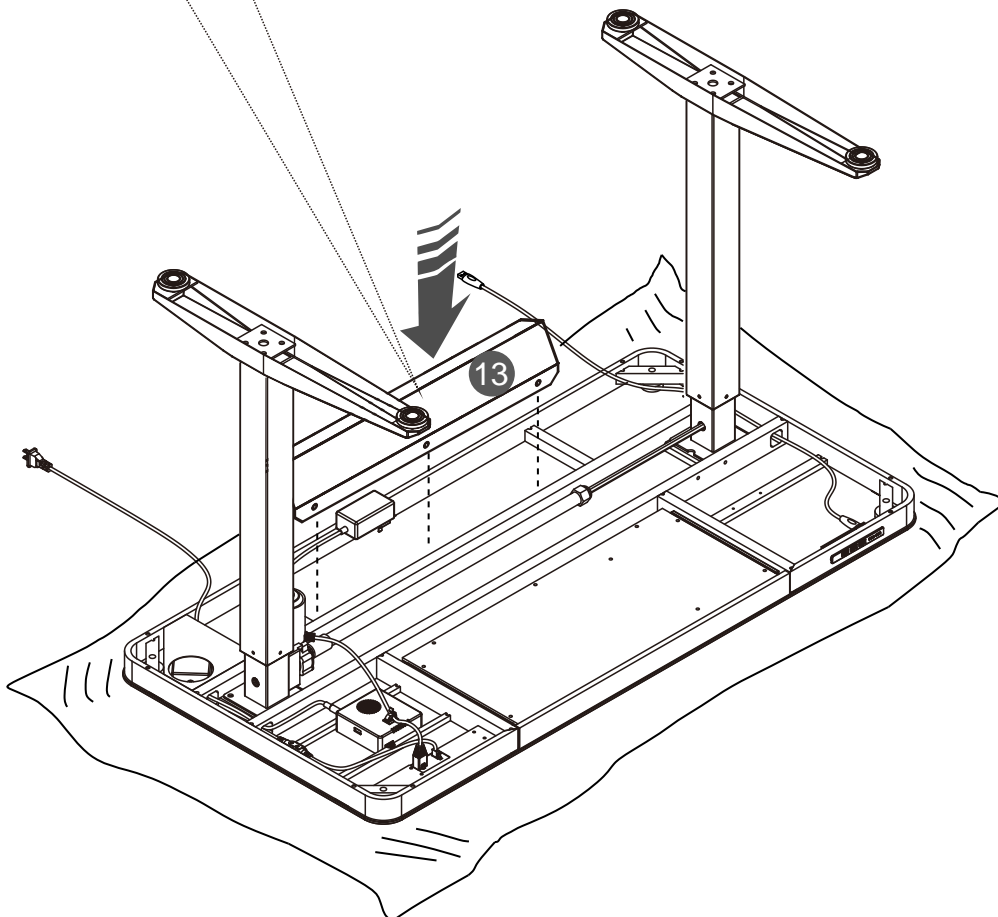
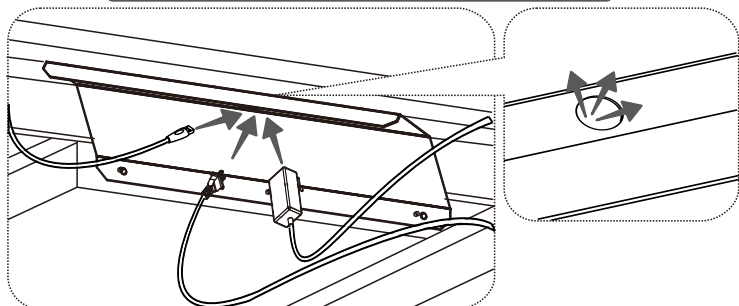
## 1. Fold the plate 13 to the shape of 14



## 2. Attach plate 13 to frame



## 3. Pass all cables through the hole



## STEP 11

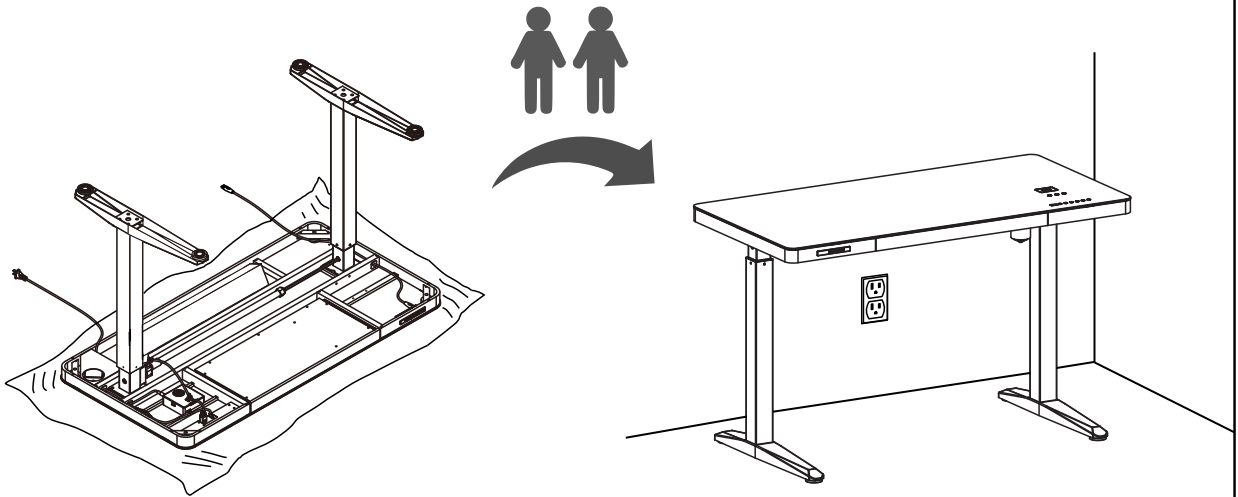
This step  
requires of  
2 persons



With the help of another person, carefully turn the item upright and place near the power supply with the recommended specifications shown in pages 1 and 12.

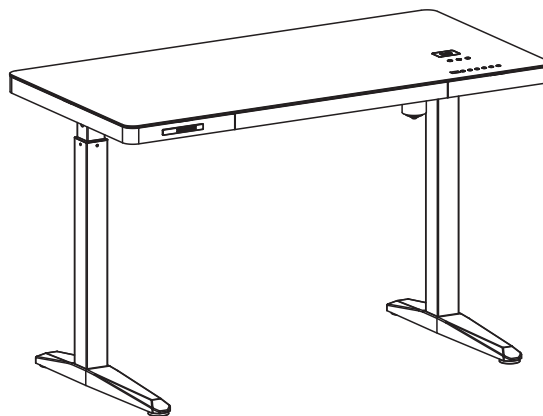


**DO NOT GRAB/HOLD/LIFT FROM THE GLASS PANEL, ONLY FROM THE METAL FRAME**



## ALL DONE!

Give yourself a nice pat on the back, you did a great job!



**ENJOY YOUR NEW UNIT!**

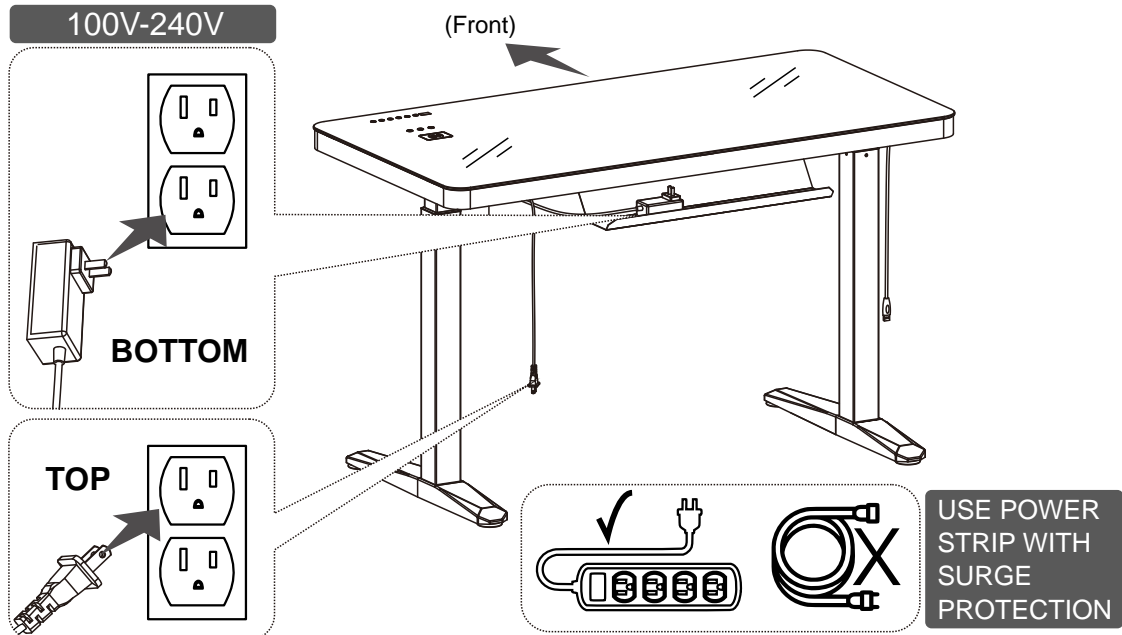


In the next pages you will find the instructions for the unit's functions. Also please take your time to read all warnings and warranty information found in the last 3 pages of this manual.

## CONNECT THE POWER CABLES

To power up for its lift, charging and speaker functions, the unit requires from 2 electrical outlets with 100V-240V capacity and sockets type A or B (2 prongs or 2 prongs plus ground), so make sure the room where the item will be used meets these requirements.

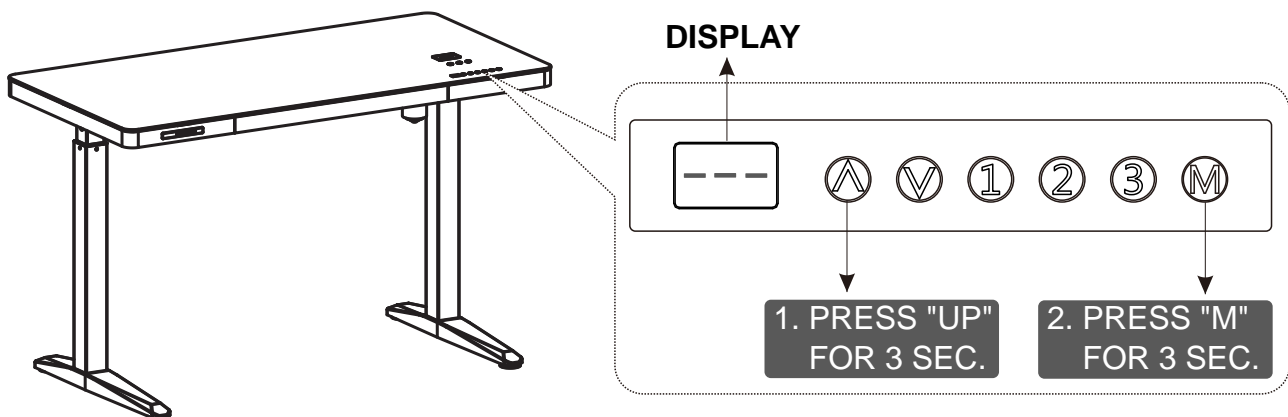
**Using extension cords is not recommended, so if necessary, use a power strip with surge protection instead.**



## RESETTING THE UNIT

Before you start using the unit, it is necessary to reset it so it can automatically adjust to what is considered its lowest position. This operation is also useful when the unit become unresponsive.

1. On the control panel Press the "▲" button for 3 seconds to raise the desktop to any height.
2. Press the "M" button for 3 seconds and wait for the display to flash " - - - ", then release it, as the desktop will automatically come down looking for the lowest position, and then will adjust itself to a fixed position.
3. When it stops, the reset is complete and you can start using the lift function and memories as explained in the next page.

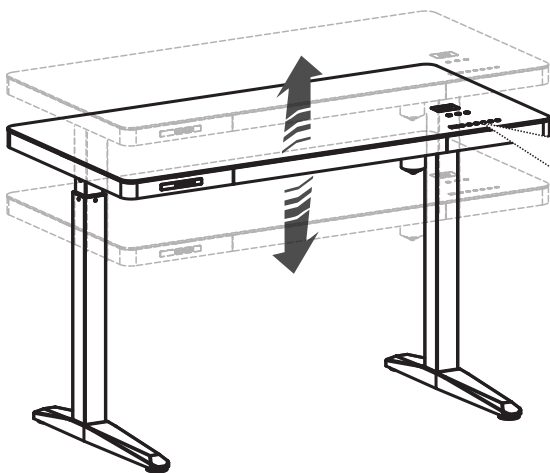


## LIFT FUNCTION AND MEMORY SETTINGS

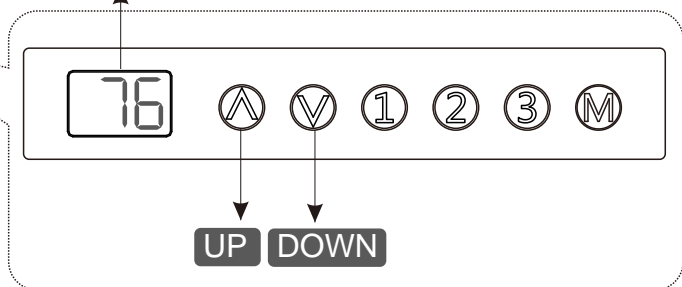
### LIFT FUNCTION

The normal height of any non-adjustable desk ranges from 73cm (28 inches) to 78cm (31 inches). This desk has an adjustable height range from 73cm (28 inches) to 118cm (46 inches) that allows you to alternate between sitting and standing for periods of time.

- Press the "▲" button to lift the tabletop, and release it when a desired height is reached.
- Press the "▼" button to lower the tabletop, and release it when a desired height is reached.
- Please note that the unit displays the height in centimeters (cm).



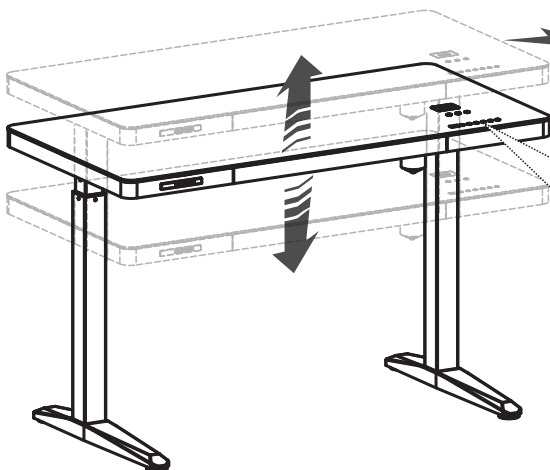
#### HEIGHT DISPLAY (in cm)



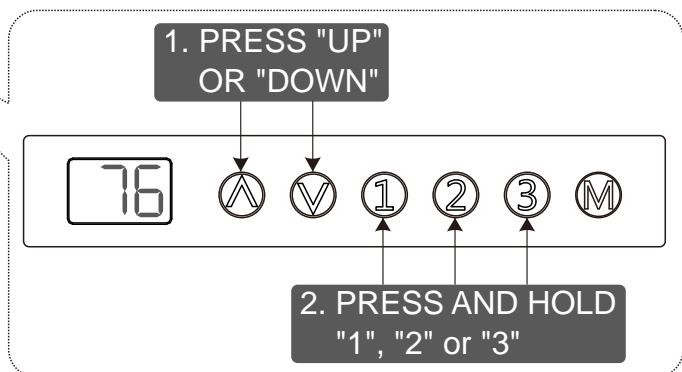
### MEMORY SETTINGS

You can save into memory up to 3 different height settings that you use the most.


- Press the "▲" button to lift the tabletop, and release it when a desired height is reached.
- Press and hold the "①" button until it flashes, and release it to save the first setting into the memory of that button.
- Repeat the above process to save other heights into the memory of buttons "②" and "③".
- To lift (or lower) the tabletop to one of the height settings stored in memory, just press the button "①", "②" or "③" where the setting was saved, the desktop will automatically move to the memorized height.
- Note that during the running process, you can press any key to stop the operation.

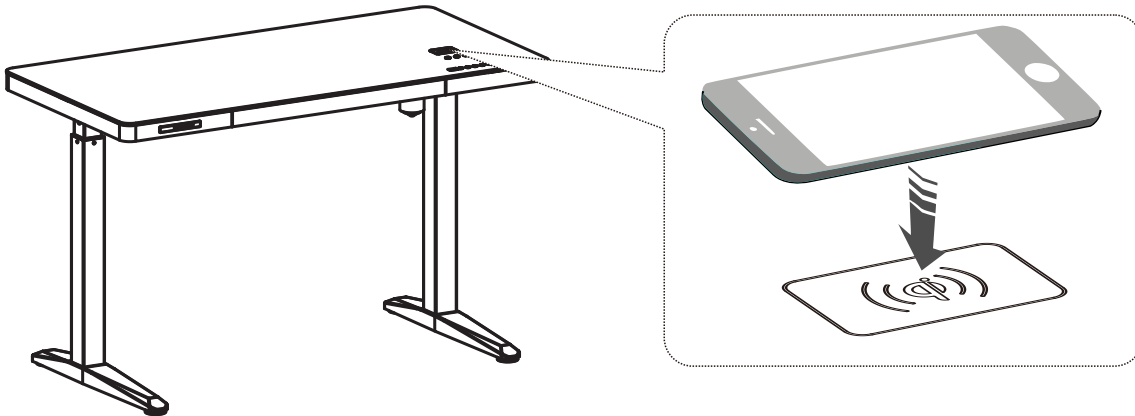


① ② OR ③





## WIRELESS CHARGING




- ⚠ The wireless charger works only for devices equipped and enabled with inductive charging.
- First make sure the Charger/Speaker's A/C adapter is properly connected to a power source.
  - Place your device over the surface of the charging pad with the symbol "".
  - When charging, your device should display the charging status indicator.
  - Keep an eye on your device, and when fully charged, remove it from the charging pad.



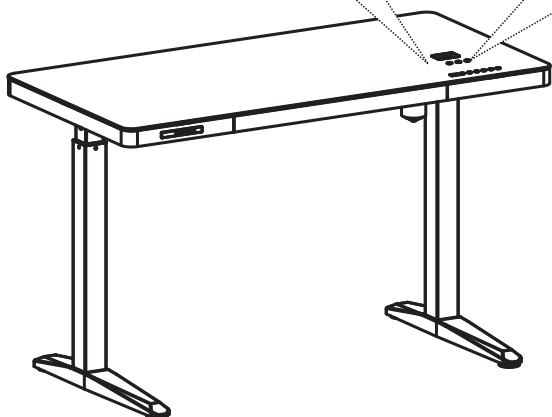
## BLUETOOTH® SPEAKER PAIRING INSTRUCTIONS

- First make sure the Charger/Speaker's A/C adapter is properly connected to a power source.
- Press and hold the "" button to turn on.
- In your device, go to the Bluetooth® settings, search for new devices and select "**AL01**".
- If prompted by your device, confirm that you wish to pair with "**AL01**".
- If the pairing fails, press and hold the "" button to turn off, and repeat the above instructions.

### CONTROLS:

-  Press and hold to switch ON/OFF; short press to play or pause current selection.
-  Press and hold to increase the volume; short press to forward to next selection.
-  Press and hold to decrease the volume; short press to go back to previous selection.

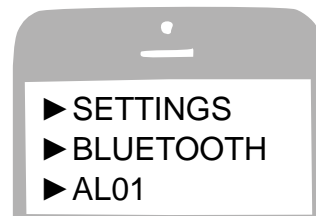
dB SPL: 80+/-3dB



1. PRESS AND HOLD



2. SEARCH, SELECT, AND PAIR



3. CONTROLS



• VOL. UP  
• NEXT



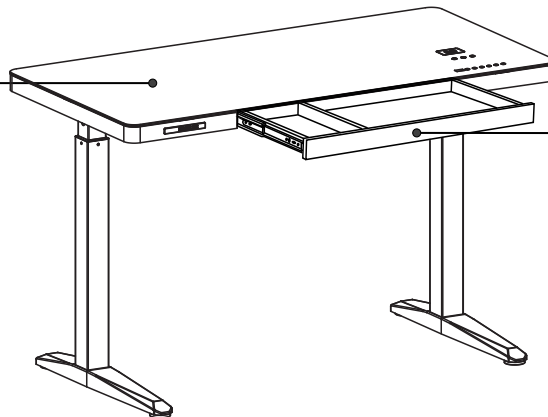
• ON/OFF  
• PLAY/PAUSE



• VOL. DOWN  
• PREVIOUS

## WEIGHT LIMITS

110 Lbs  
(50 Kg)



11 Lbs  
(5 Kg)

## WARNINGS

- Do not exceed the indicated weight limits.
- Only connect the unit to the specified power supply.
- Do not expose the surfaces to direct sunlight or to extreme environmental conditions.
- Do not use solvents or abrasive materials to clean the unit. If you decide to use a cleaning agent, test first on an area hidden from view such as underneath the main unit.
- Do not sit on the unit, lean against it, or allow children to play under or over the unit.
- Do not allow small children to operate the lift function without your supervision.
- Do not pull, push or drag the unit to move it for more than 1 feet. The unit must be lifted by at least 2 persons for moving in the same or adjacent rooms, and lift from the frame, not the glass.
- **Do not lift from the glass panel**, as it can detach from the frame under the weight, and this kind of accidental damage is not covered by the product's warranty.
- Before moving the unit, make sure to secure or remove any object that is heavy or might fall off. When lifting the unit, use both hands and bend your knees, not your backs.
- The glass is made of safety tempered glass. The safety feature is that when breakage occurs, the glass shatters into many tiny pieces minimizing the risk of serious injuries. If the glass breaks, do not handle the pieces with your bare hands, take some pictures and contact Customer Service immediately.

## CARE AND MAINTENANCE

- If the unit becomes unresponsive, disconnect for 1 minute, then reset it as explained in page 12.
- Disconnect the unit from the power supply if it won't be used for long periods of time.
- Clean the surfaces preferable with a clean cloth damped in a solution of mild soap and water, then dry with a clean towel.
- Disconnect from the power supply before dusting or cleaning the unit to avoid electrostatic discharges as well to avoid the risk of electric shock.
- Every 4 months, inspect the unit completely and make sure that all screws are tighten and all cables are properly connected and secured.
- When transporting the unit to places far away, protect and secure the unit to avoid damage in transit.
- Shall any part of the unit become defective during the warranty period, replacement parts might be available to you at no charge. Please refer to the last pages on this manual.
- The warranty does not extend to regular wear and tear, nor the manufacturer assumes liability for damages or consequences due to accidents, incorrect assembly, negligence, improper use, modifications, or not heeding the above warnings.



**TECHNI MOBILI WARRANTY****DESKS/LAPTOP CARTS/FILE CABINETS: LIMITED 5-YEAR WARRANTY**

RTA Products, LLC warrants to the Original Purchaser who acquired a new product from RTA Products or its authorized resellers that this product will be free from defects in its workmanship and materials, under normal use and service conditions, as described herein. "Defects" as used in this warranty, is defined as any imperfections that impair the use of the furniture or product. RTA Products LLC will replace any defective part, at its discretion, and without charge to the original purchaser other than the freight from the end consumer to RTA Products.

Replacement parts can only be supplied if parts are available. Items out of production may be unavailable. This warranty will be effective for the applicable time period beginning the date of purchase on your original sales receipt. RTA product's obligation under this warranty is limited to repairing or replacing products or parts as provided herein. This product has been designed for and is intended for office and home-office use only. This warranty is Original Purchaser's sole remedy for product defects, and this warranty does not extend to any product, or damage to any product, caused by or attributed to abuse or misuse, products used for commercial or rental purposes, use modifications of, or attachments to the product, and products or parts not used, maintained, or extended hereunder is in lieu of any and all other warranties, express or implied, including without limitations any implied warranty or merchantability or of fitness for a particular purpose. Please note, all desks made with PVC Laminate surface should not be exposed to direct sunlight, as it may damage the material. Damage of this nature is not covered under this warranty.

RTA Products will not be responsible for indirect, special, incidental or consequential damages. This warranty is limited to merchandise purchased in the Continental United States, excludes AK, HI and PR. Some States do not allow the exclusion or limitation of incidental or consequential damages, so the above limitations or exclusions may not apply to you. This warranty gives you specific legal rights. You may also have other rights that may vary from state to state.

RTA Products will advise you of the procedure to follow in making warranty claims. The following are the procedures for warranty claims:

- a. Call us Monday – Friday, from 9am-5pm (Eastern Time) at (866) 782-5520 to explain the defect and give your name, address and phone number. Please have ready the model number of our product, date and place of purchase. You can also write to us by e-mail to [warranty@rtaproducts.com](mailto:warranty@rtaproducts.com) and include the same information.
- b. If we determine that replacement will remedy the situation, and in order to determine the extent or the cause of the defect, purchaser will need to send the part in question at purchaser's expense. Once we receive the part, we will examine it and determine whether the claim is valid (or not), and then proceed to send the replacement. We will ship the replacement at our expense.

Your satisfaction is very important to us. Our Support agents can help you with any issues you may have, please feel free to contact us with any questions you have about our products, or to request replacement parts.

---

## **FOR ADDITIONAL INFORMATION PLUS HELP OPTIONS**

VISIT: [WWW.TECHNIMOBILI.COM](http://WWW.TECHNIMOBILI.COM)

 **CLICK ON SUPPORT TAB**

Or scan the following QR Code:



**EMAIL US:**

[support@rtaproducts.com](mailto:support@rtaproducts.com)

To request replacement parts, email us with the model number of the product, the part number or letter of the requested part, and proof of purchase.

