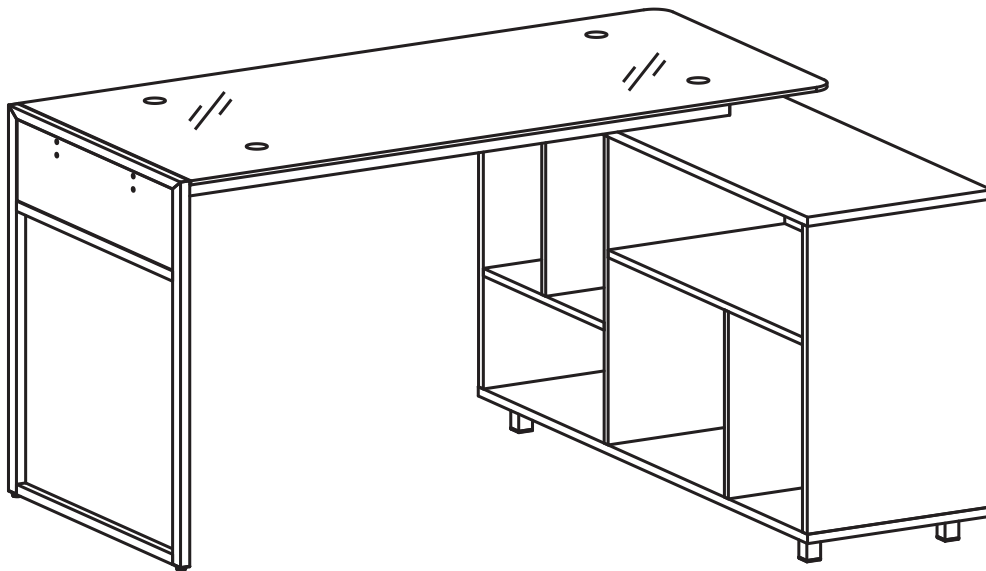


MODEL RTA-385DL

ASSEMBLY INSTRUCTIONS

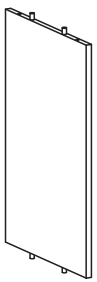
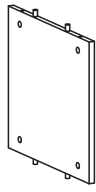
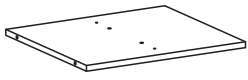
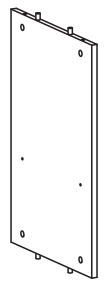

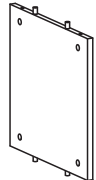
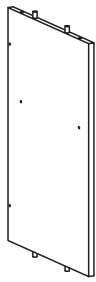

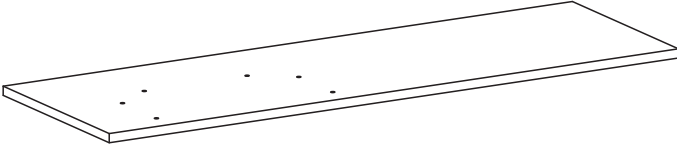
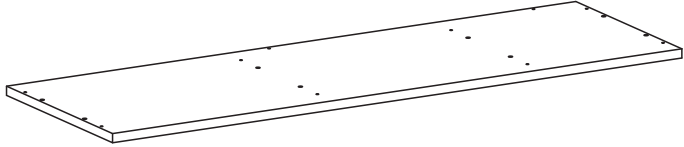
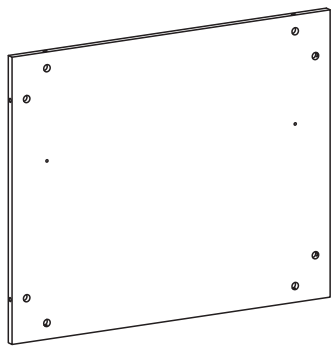
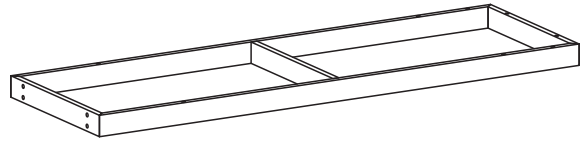
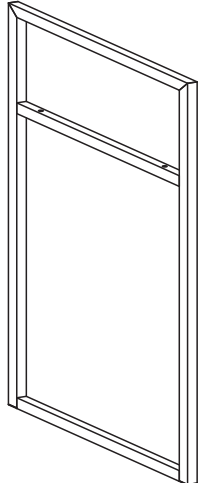
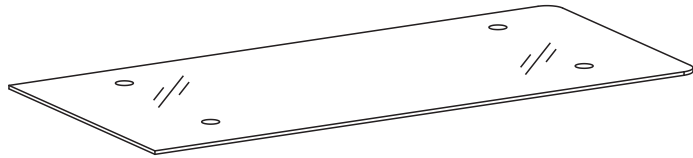

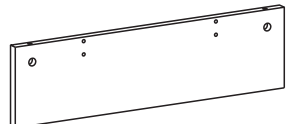
Thank you for purchasing one of our products.  
Please read carefully the assembly instructions before the installation.  
Do not discard this manual or any of the packaging material until the unit  
has been completely assembled.



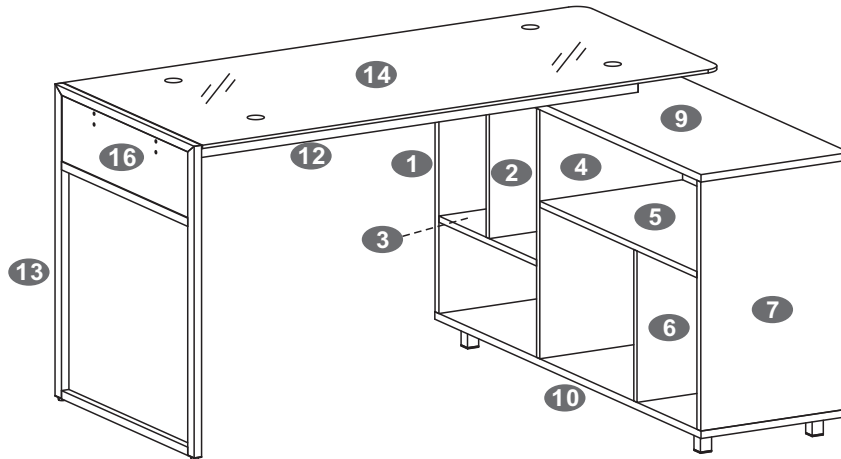
By



## MAIN PARTS LIST

<p>Left panel <span style="float: right;">1</span></p>  <p style="text-align: right; margin-top: 10px;">X1</p>	<p>Upper left panel <span style="float: right;">2</span></p>  <p style="text-align: right; margin-top: 10px;">X1</p>	<p>Left horizontal panel <span style="float: right;">3</span></p>  <p style="text-align: right; margin-top: 10px;">X1</p>	<p>Center vertical panel <span style="float: right;">4</span></p>  <p style="text-align: right; margin-top: 10px;">X1</p>
<p>Right horizontal panel <span style="float: right;">5</span></p>  <p style="text-align: right; margin-top: 10px;">X1</p>	<p>Lower right panel <span style="float: right;">6</span></p>  <p style="text-align: right; margin-top: 10px;">X1</p>	<p>Right panel <span style="float: right;">7</span></p>  <p style="text-align: right; margin-top: 10px;">X1</p>	<p>Feet for cabinet <span style="float: right;">8</span></p>  <p style="text-align: right; margin-top: 10px;">X5</p>
<p>Cabinet top panel <span style="float: right;">9</span></p>  <p style="text-align: right; margin-top: 10px;">X1</p>		<p>Bottom panel <span style="float: right;">10</span></p>  <p style="text-align: right; margin-top: 10px;">X1</p>	
<p>Right back panel <span style="float: right;">11</span></p>  <p style="text-align: right; margin-top: 10px;">X1</p>	<p>Main structure <span style="float: right;">12</span></p>  <p style="text-align: right; margin-top: 10px;">X1</p>		<p>Lateral structure <span style="float: right;">13</span></p>  <p style="text-align: right; margin-top: 10px;">X1</p>
<p>Main glass panel <span style="float: right;">14</span></p>  <p style="text-align: right; margin-top: 10px;">X1</p>		<p>Studs <span style="float: right;">15</span></p>  <p style="text-align: right; margin-top: 10px;">X2</p>	
<p>Lateral panel <span style="float: right;">16</span></p>  <p style="text-align: right; margin-top: 10px;">X1</p>		Empty space for part 16	

MAIN PARTS LAYOUT (for reference):

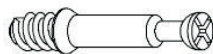


SCREWS LIST:

PART	QTY.	ITEM		PART	QTY.	ITEM	
<b>A</b>	38	6X45 MM		<b>G</b>	2	6X55 MM	
<b>B</b>	20	4X14 MM		<b>H</b>	2	6X40 MM	
<b>C</b>	6	6X75 MM		<b>I</b>	2	5X45 MM	
<b>D</b>	10	Φ 16 MM			1		
<b>E</b>	8	M6			1		
<b>F</b>	4	6X40 MM					

- ▣ This unit uses cam bolts and locks. The following explains how to use them.
- ▣ This is not an assembly step; it is a guide for when you are actually doing the assembly using this kind of hardware.

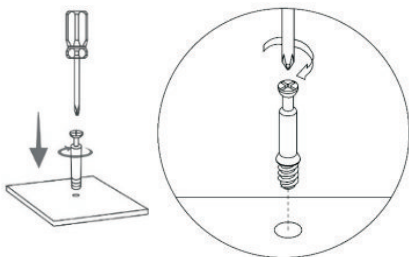
Cam Bolt



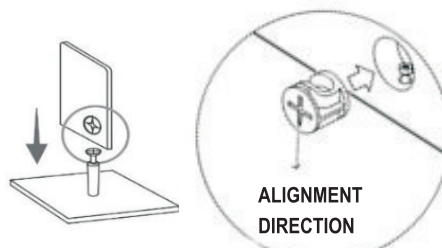
Cam Lock



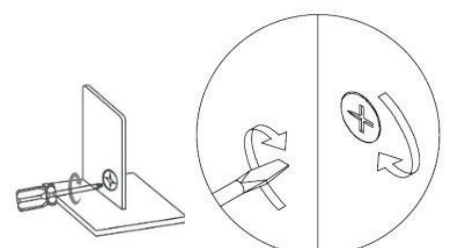
1. Screw the bolt into the corresponding panel.



2. In the other panel, insert the cam lock and align it so it can properly receive the bolt, then join both panels (the cam locks might come pre-installed in this unit).



3. The panels might have a very small gap which is normal; turn the cam lock clockwise to lock the parts together and the gap will also close.

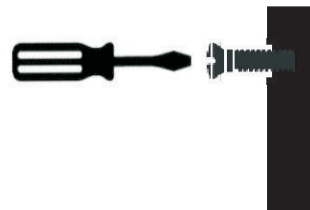


**BEFORE YOU START THE ASSEMBLY, PLEASE READ THE FOLLOWING TIPS AND WARNINGS.**

**1** Do a quick inventory to make sure the package contains all the parts and hardware listed in the assembly instructions.



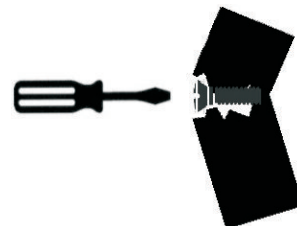
**7** To avoid misalignments, always leave the screws loose and tighten them until all pieces are positioned correctly.



**2** Missing, damaged and defective parts can be replaced at no cost to you. Please refer to the CONTACT card included with the product.



**8** Do not overtighten or force the screws as they might break, strip, damage the threads of the holes or get stuck inside the part.



**3** The replacement parts service is limited to the continental United States. If you reside in Hawaii, Puerto Rico, U.S. Dependencies or other countries, please contact the supplier from where the unit was purchased.



**9** Sometimes the laminate might cover partially or entirely the hole on a panel. If there is no visible hole for the screw, pass and press the tip of your finger over the area where the hole should be located to feel the indentation, and once found, carefully pierce the laminate to reveal the hole underneath.



**4** If during assembly you find an issue or need clarification, please contact our Customer Service for assistance. Please refer to the CONTACT card included with the product.

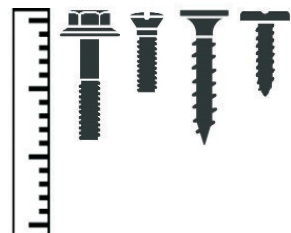


**5** On each step read the instructions and analyze the illustrations thoroughly before proceeding to do the assembly.



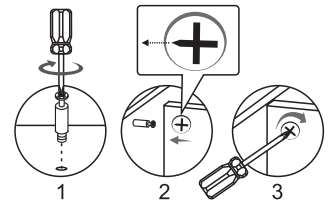
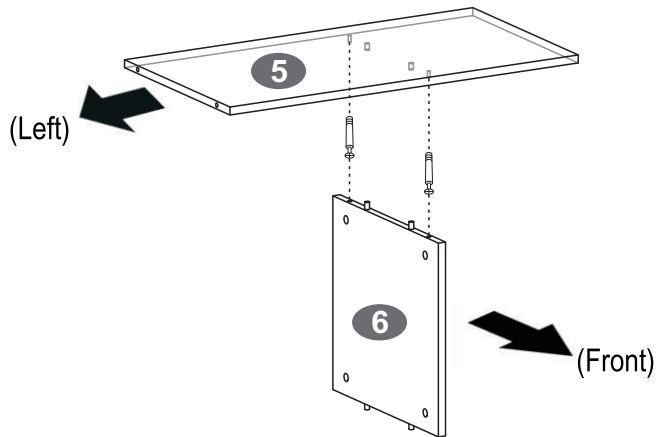
**10** If the hole seems too small for the screw, first make sure you are using the correct size of screw and that it's been installed in the correct hole. If the hole still appears to be too small, carefully pierce the laminate to reveal the hole's actual size.

**6** Make sure you understand which hardware will be used on each step. Using the wrong size of screw, bolt or pin might strip the threads or cause damage to the part in which it is being used.



## ASSEMBLY STEPS

- 1** Assemble the right horizontal panel (5) to the lower right panel (6) using bolts (A) as shown and as explained in page 3.



## - SCREWS

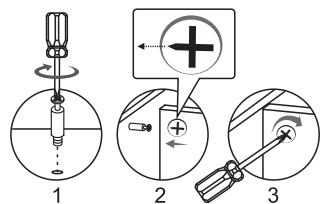
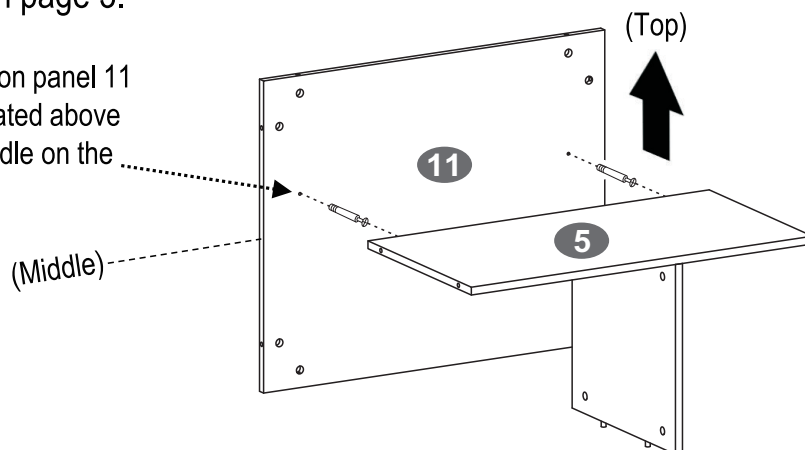
**A** 6X45 MM

x2



- 2** Assemble the right back panel (11) to panel (5) using bolts (A) as shown and as explained in page 3.

(Holes on panel 11 are located above the middle on the panel)



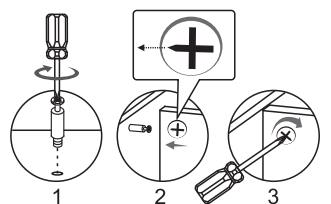
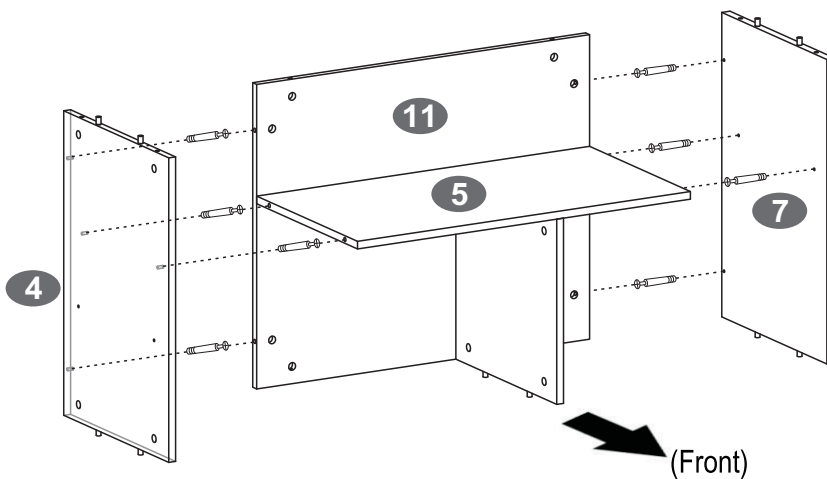
## - SCREWS

**A** 6X45 MM

x2



- 3** Assemble the center panels (4) and (7) to panels (5) and (11) using bolts (A) as shown and as explained in page 3.



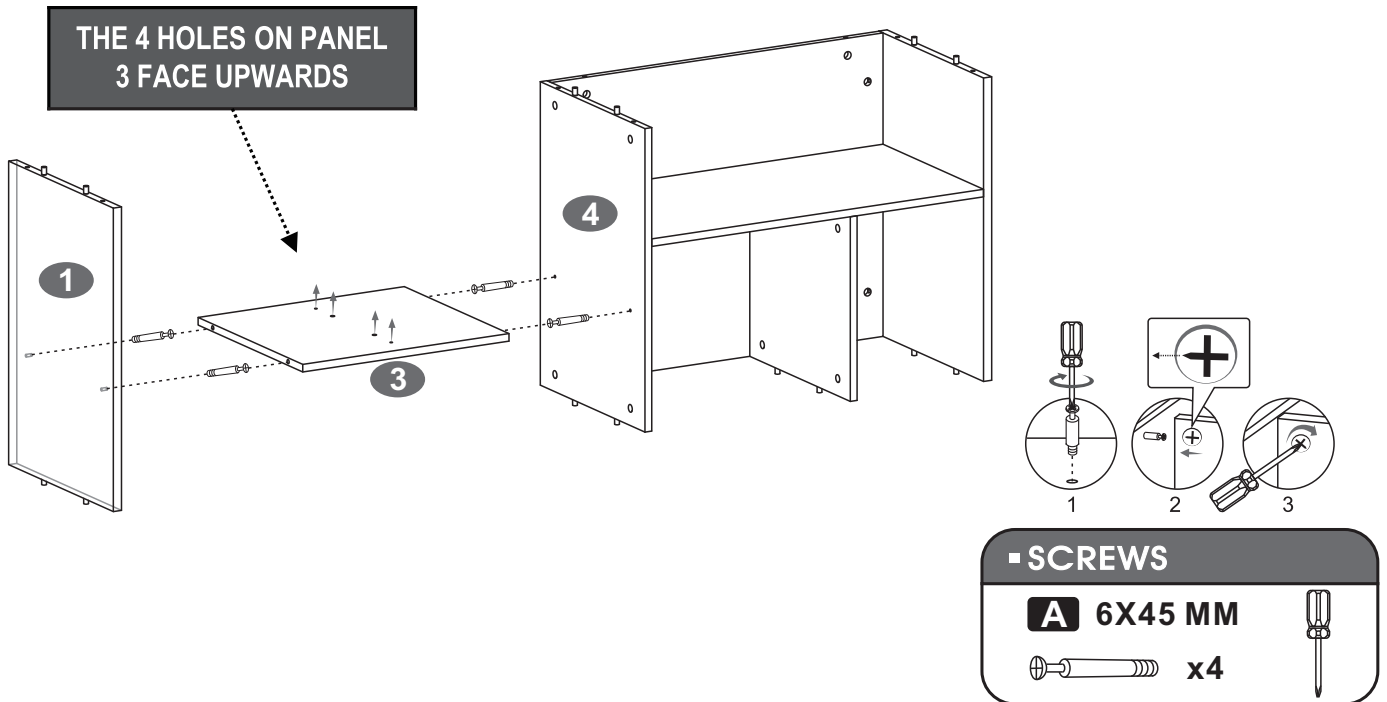
## - SCREWS

**A** 6X45 MM

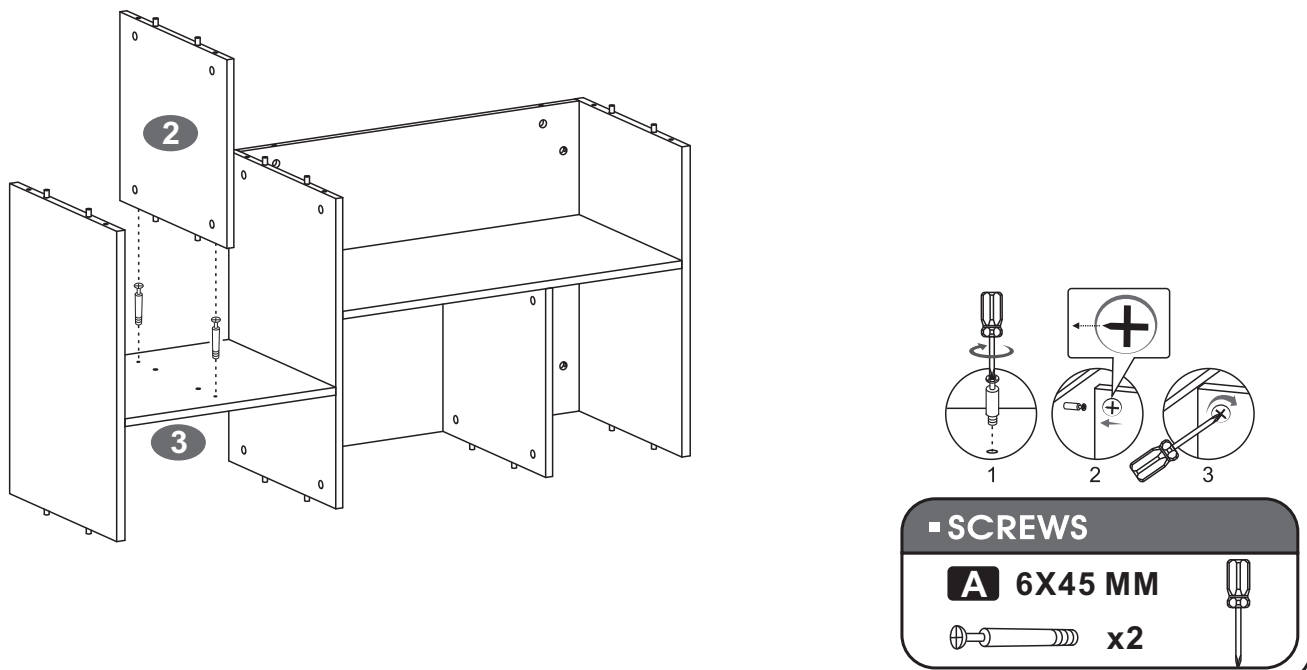
x8



- 4** Assemble the horizontal panel (3) to the left and center panels (1) and (4) using bolts (A) as shown and as explained in page 3.

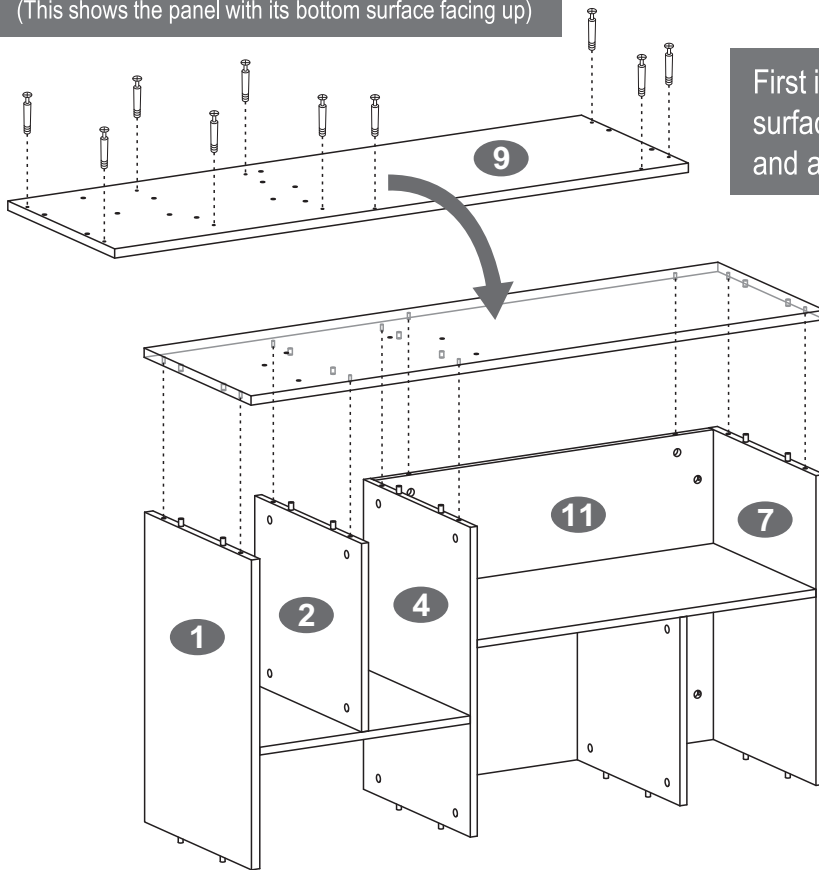


- 5** Assemble the upper left panel (2) to panel (3) using bolts (A) as shown and as explained in page 3.

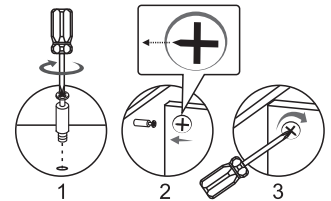


**6** First insert the bolts **A** into the holes on the cabinet top panel **9**, then assemble the panel to panels **1**, **2**, **4**, **7** and **11** as shown and as explained in page 3.

(This shows the panel with its bottom surface facing up)



First insert the bolts to the bottom surface of panel 9, then flip over and assemble to rest of panels.



■ SCREWS

**A** 6X45 MM

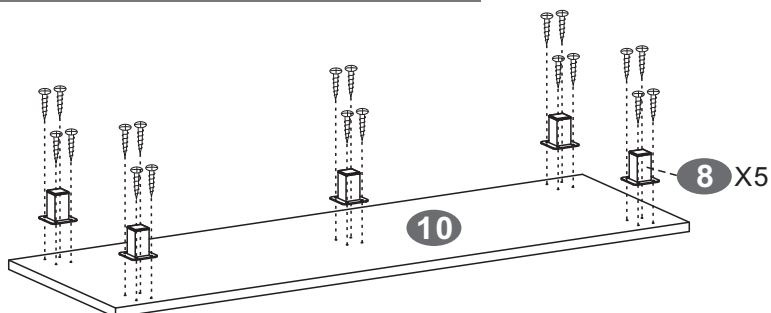
x10



**7**

Assemble the feet **8** to the bottom panel **10** using screws **B**.

(This shows the panel with its bottom surface facing up)



■ SCREWS

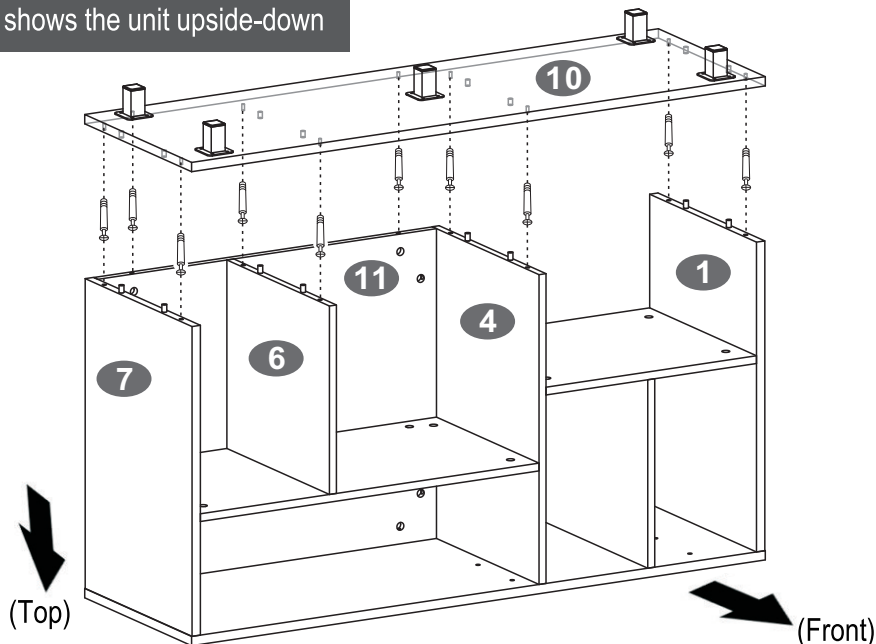
**B** 4X14 MM

x20

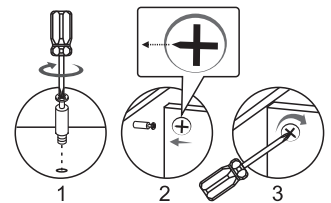


- 8** Carefully and with the help of another person, turn the frame assemble in step 6 upside-down, and assemble the bottom panel ⑩ to panels ①, ④, ⑥, ⑦ and ⑪ using bolts ① as shown and as explained in page 3.

This shows the unit upside-down



**2 PERSONS  
REQUIRED**



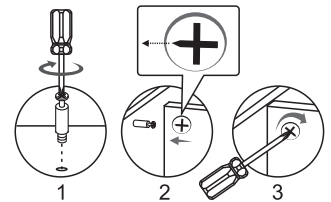
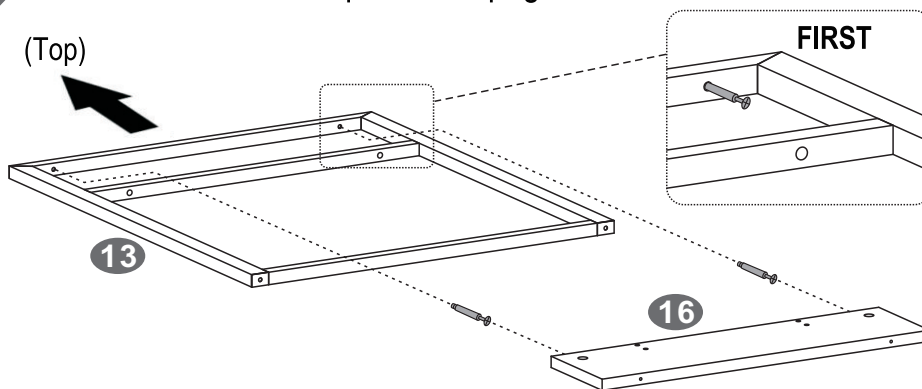
▪ SCREWS

**A** 6X45 MM

x10



- 9** First insert the bolts ① into the lateral structure ⑬, then assemble the panel ⑯ as shown and as explained in page 3.



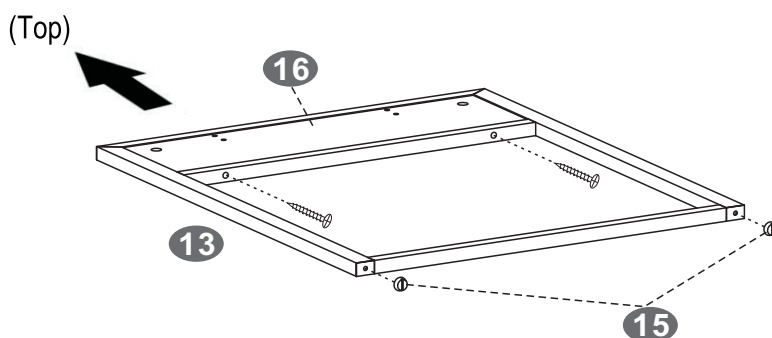
▪ SCREWS

**H** 6X40 MM

x2



- 10** First secure the panel ⑯ to the structure ⑬ using screws ① from underneath as shown. Then attach the studs ⑮ to the bottom of the structure.



▪ SCREWS

**I** 5X45 MM

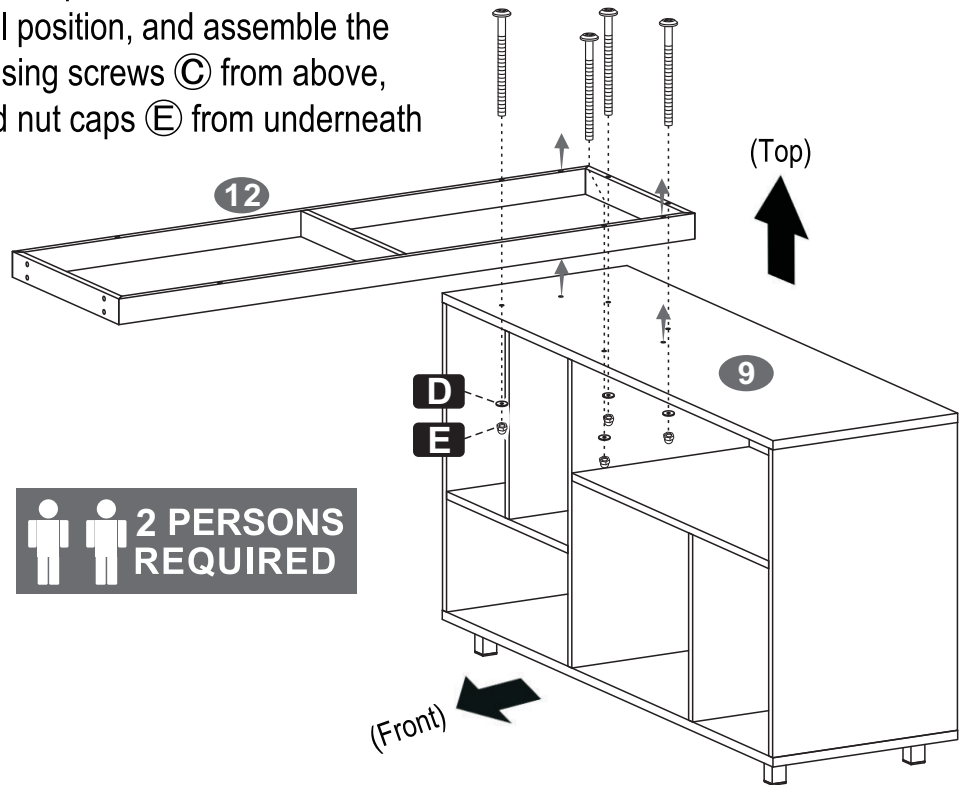
x2





11

With the help of another person, turn the cabinet upright in the normal position, and assemble the main structure **12** using screws **C** from above, and washers **D** and nut caps **E** from underneath as shown.

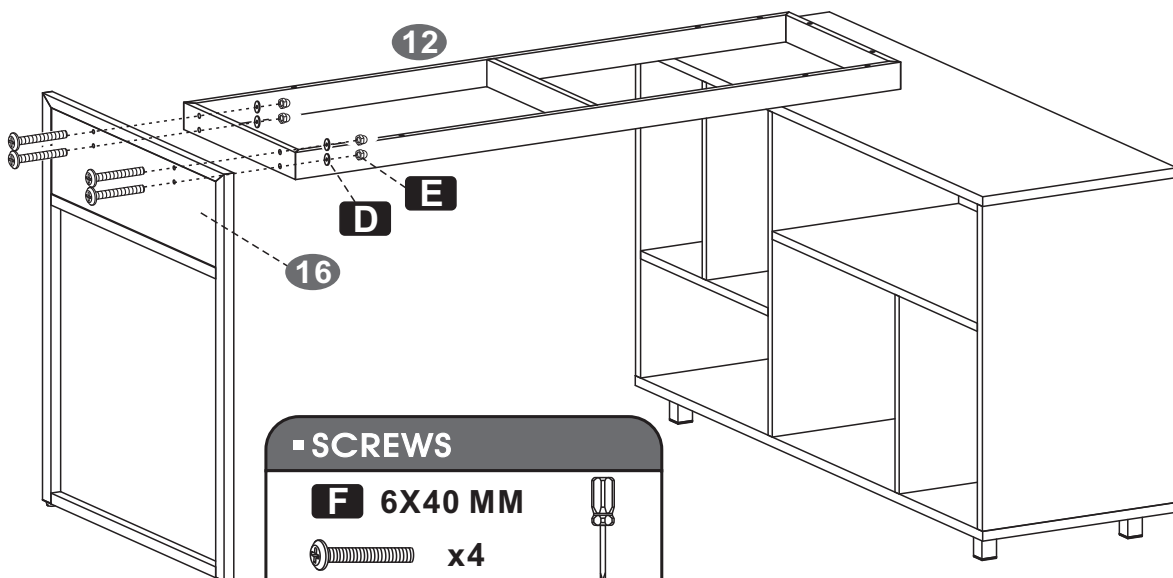


## - SCREWS

**C** 6X75 MM
 x4
 
**D**  $\Phi$  16 MM
 x4
**E** M6
 x4
 
 2 PERSONS  
REQUIRED

12

Assemble the lateral panel **16** to the main structure **12** using screws **F** from the outside, and washers **D** and nut caps **E** from the inside as shown.



## - SCREWS

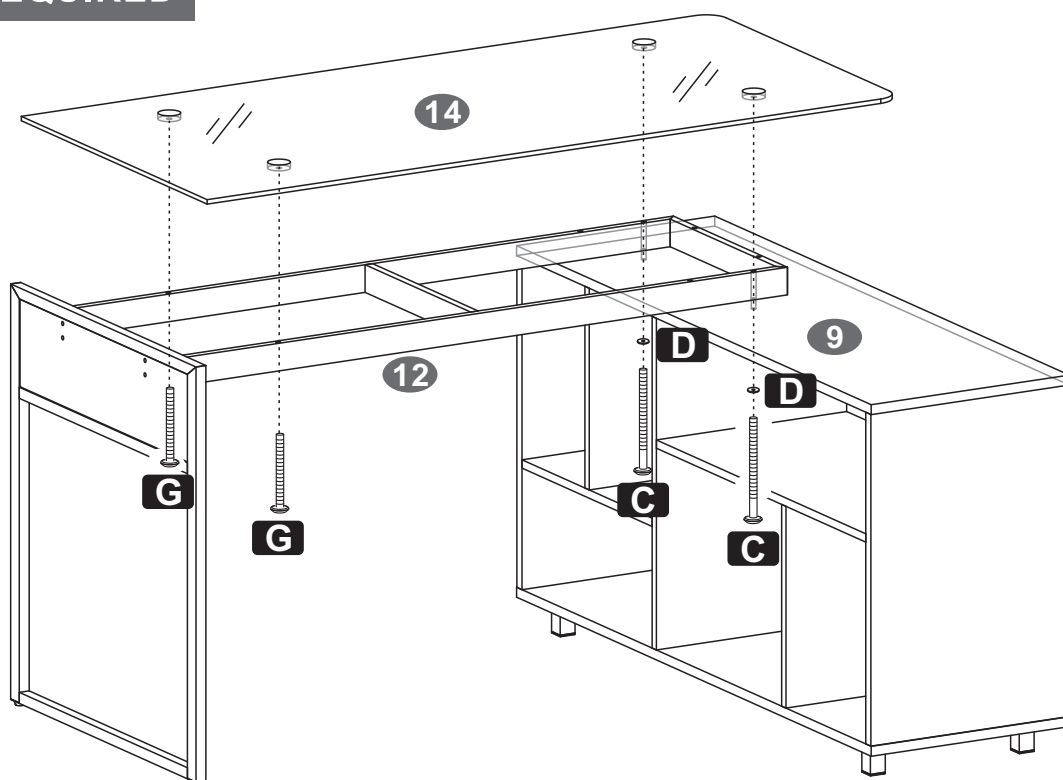
**F** 6X40 MM
 x4
 
**D**  $\Phi$  16 MM
 x4
**E** M6
 x4
 

13

With the help of another person, carefully place the main glass panel ⑭ over the main structure ⑫ and assemble the glass using:


- On the right side: Screws ③ and washers ④ from underneath the panel ⑨, thru the frame ⑫ and into the round metal discs on the glass.
- On the left side: Screws ⑥ from underneath thru the frame ⑫ and into the round metal discs on the glass.

 2 PERSONS  
REQUIRED



#### SCREWS

**C** 6X75 MM

 x2



**D**  $\Phi$  16 MM

 x2

**G** 6X55 MM

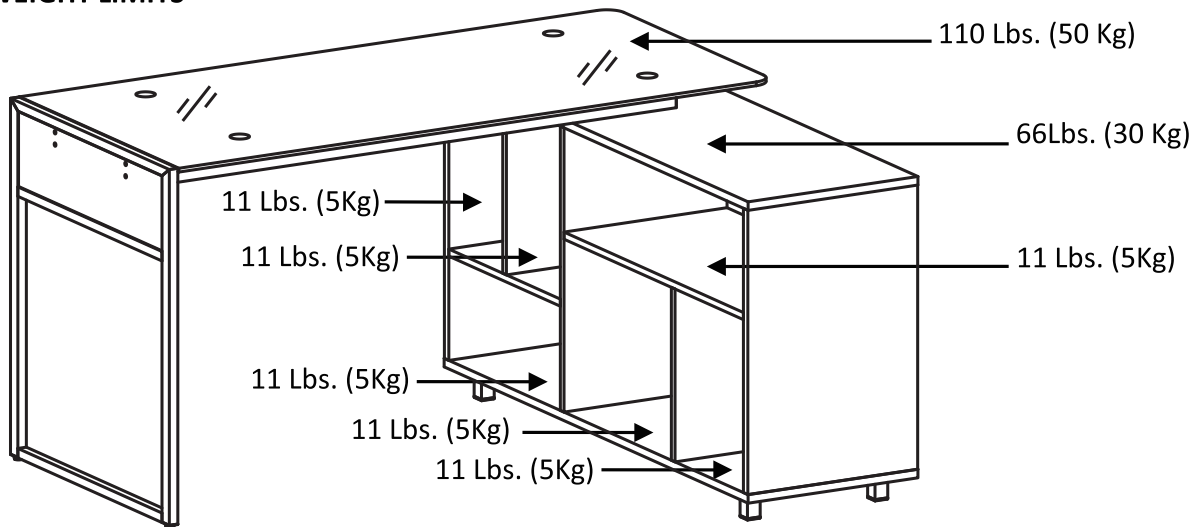
 x2



**DONE!** Before you start using the unit, make sure that all the screws, bolts, cam locks, etc. are properly tightened, and read all the warnings in the next page.

**AFTER THE ASSEMBLY IS DONE, PLEASE READ CAREFULLY THE FOLLOWING CARE AND MAINTENANCE WARNINGS:**

**WEIGHT LIMITS**



- Do not exceed the indicated weight limits.
- Do not expose the surfaces to direct sunlight or to extreme environmental conditions.
- Clean the surfaces preferable with a clean cloth damped in a solution of mild soap and water, then dry with a clean towel.
- Do not use solvents or abrasive materials to clean the unit.
- If you decide to use a cleaning agent, test first on an area hidden from view such as underneath the cabinet's top.
- Do not seat on the unit or lean against it.
- Do not allow small children to play under or over the unit, or inside the cabinet's compartments.
- The unit must be handled by at least 2 persons when moving in the same or adjacent rooms, preferable 3 persons: 2 holding the ends and one the corner.
- Before moving the unit, make sure to secure or remove any object that is heavy or might fall off.
- Lift from the frame, not the glass top, as lifting directly from the glass might lead to part damage/separation.
- When lifting the unit, use both hands and bend your knees, not your backs.
- When transporting the unit to places far away, protect and secure the unit to avoid damage in transit. You may also disassemble it partially, please refer to steps 13 and 11.
- The glass is made of safety tempered glass. The safety feature is that when breakage occurs, the glass shatters into many tiny pieces minimizing the risk of serious injuries. If the glass breaks, do not handle the pieces with your bare hands, take some pictures and contact Customer Service immediately. Please refer to the Contact Us card.
- Shall any part of the unit become defective during the warranty period, replacement parts might be available to you at no charge. Please refer to the WARRANTY card included with the product.
- The warranty does not extend to regular wear and tear, nor the manufacturer assumes liability for damages or consequences due to accidents, incorrect assembly, negligence, improper use, modifications, or not heeding the above warnings.
- The warranty is limited to the continental United States. If you reside in Hawaii, Puerto Rico, U.S. Dependencies or other countries, please contact the supplier from where the unit was purchased.