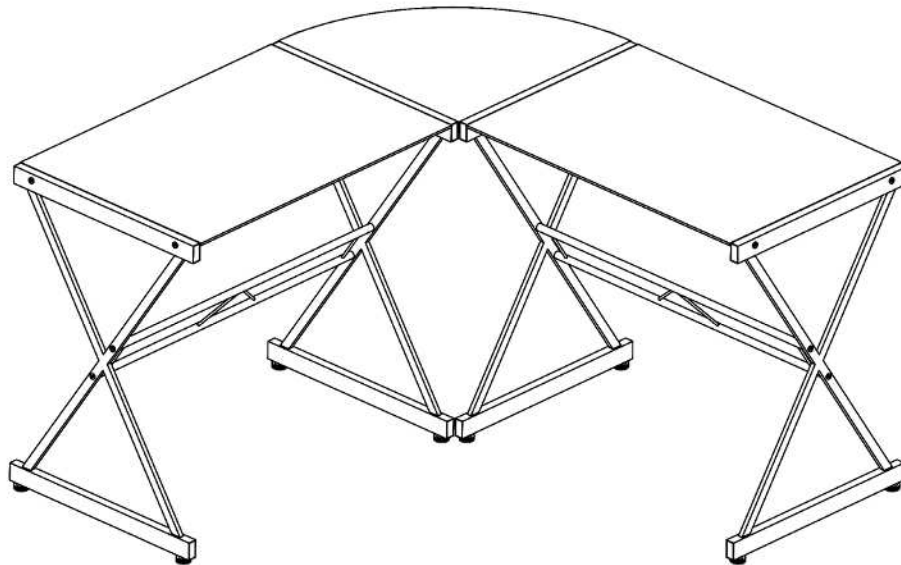




MODEL RTA-3805L

Thanks for purchasing one of our products.  
Please read carefully the assembly instructions before the installation.  
Please save this manual for future reference.



# PRODUCT DIMENSIONS

## GENERAL SPECIFICATIONS

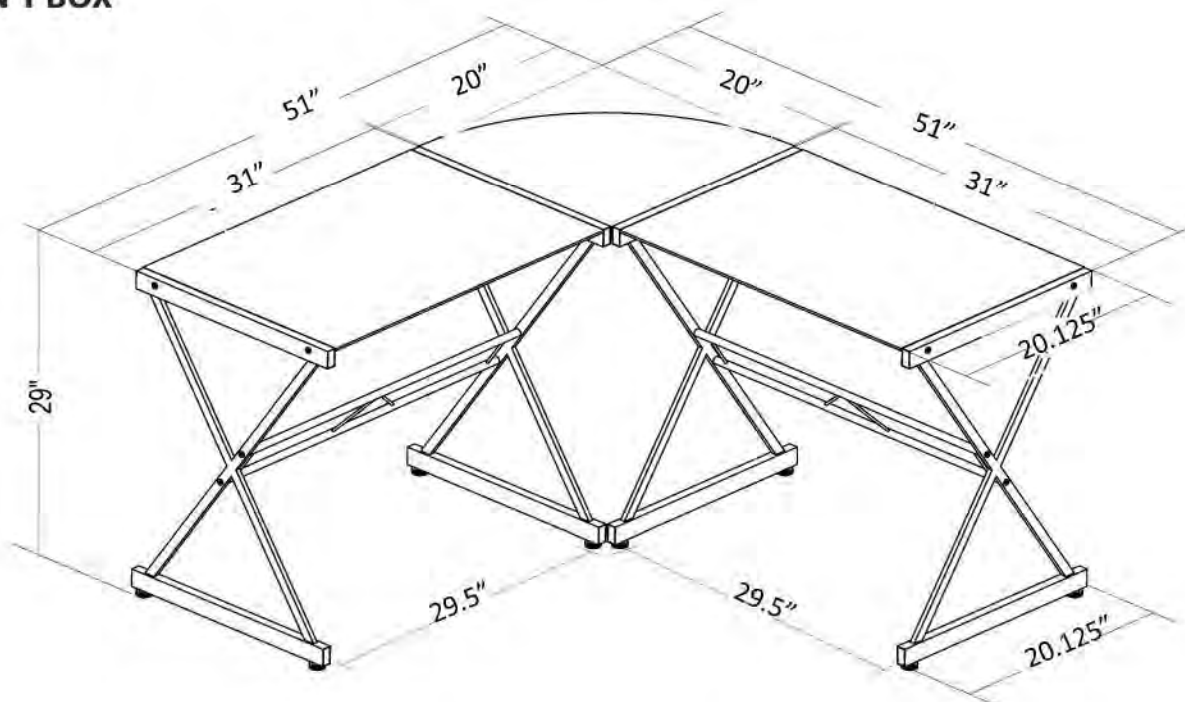
WIDTH: 51"

DEPTH: 51"

HEIGHT: 29"

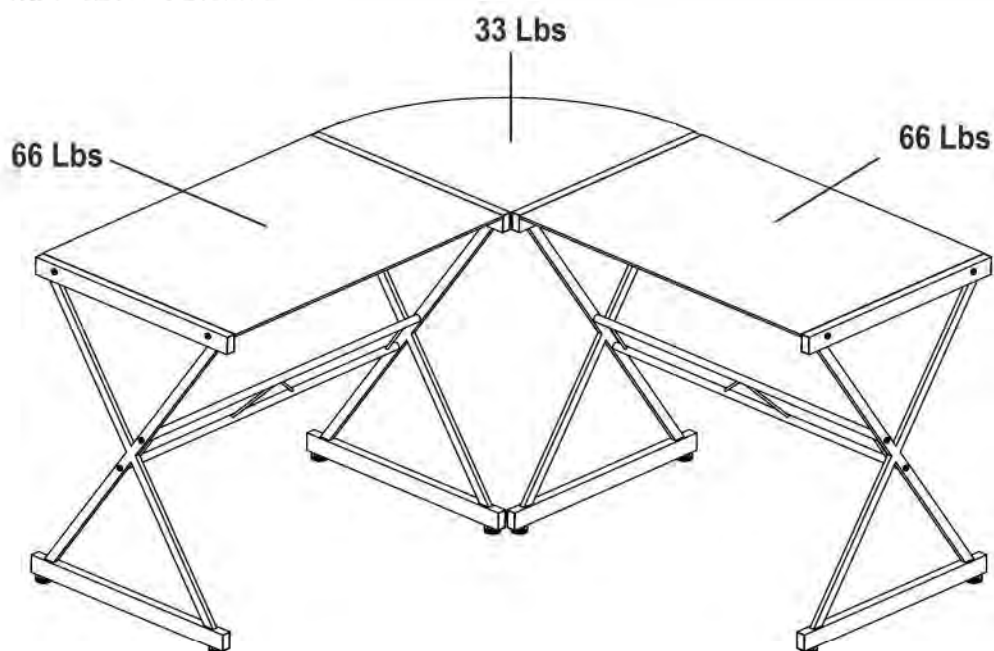
PRODUCT NET WEIGHT: 46" Lbs.

SHIPS IN 1 BOX



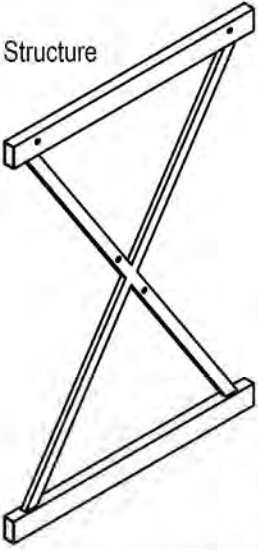
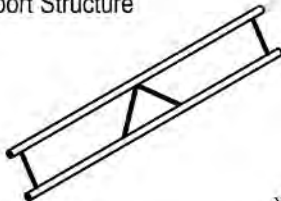
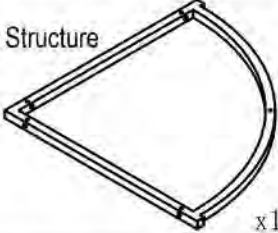
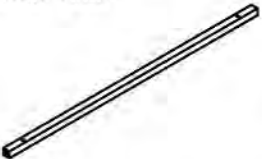
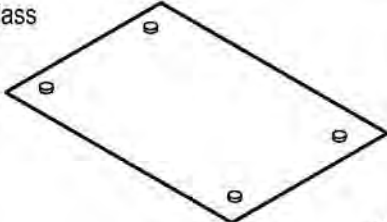
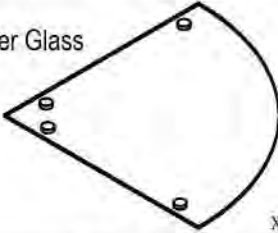

---

## MAXIMUM WEIGHT CAPACITIES:











### MAIN PARTS LIST

<p>A Main Structure</p>  <p>x4</p>	<p>B Support Structure</p>  <p>x2</p>
<p>D Corner Structure</p>  <p>x1</p>	<p>C Horizontal Tube</p>  <p>x4</p>
<p>F Main Glass</p>  <p>x2</p>	<p>E Corner Glass</p>  <p>x1</p> <p>G Stud</p>  <p>x8</p>

### SCREWS LIST

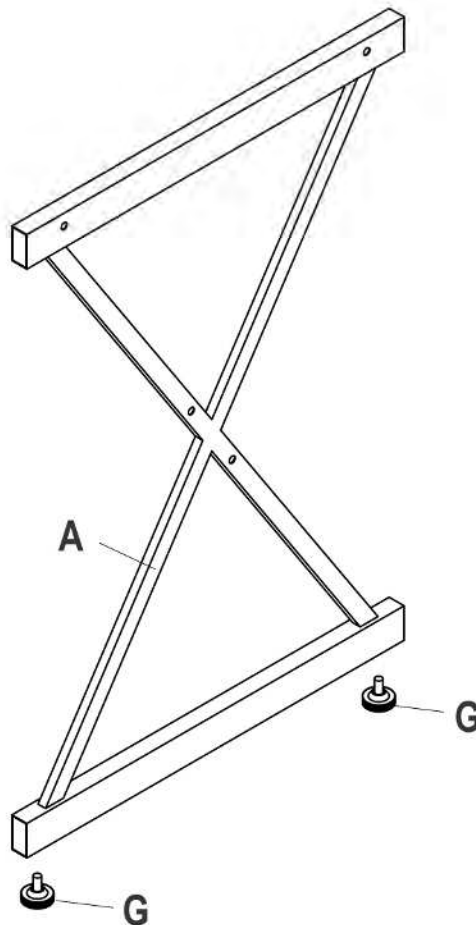
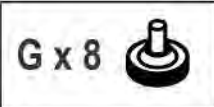
<p>II</p>  <p>M6x20mm x8</p>	<p>I</p>  <p>M6x40mm x4</p>	<p>J</p>  <p>M6x60mm x4</p>
<p>K</p>  <p>M6x23mm x8</p>	<p>L</p>  <p>M6x8mm x4</p>	<p>M</p>  <p>M6 x1</p>

**GENERAL ASSEMBLY TIPS AND TROUBLESHOOTING DURING ASSEMBLY:**

- \* Before you start assembling, make sure you have all the parts and necessary hardware by doing a quick inventory.
- \* Follow the assembly instructions step by step, and do not skip any unless advised to do so by RTA PRODUCTS' Customer Service.
- \* On each step, and to avoid misalignments, always leave screws loose, and do not tighten them until all are in place.
- \* Make sure to use the correct screws or bolts, and do not overtighten them. Using wrong screws or overtightening them might cause damage to the parts, and such damage is not covered by the product's warranty.

**STEP 1.**

Insert the stud (G) into the structure (A) as shown.  
Repeat for all structures (A).



**STEP 2.**

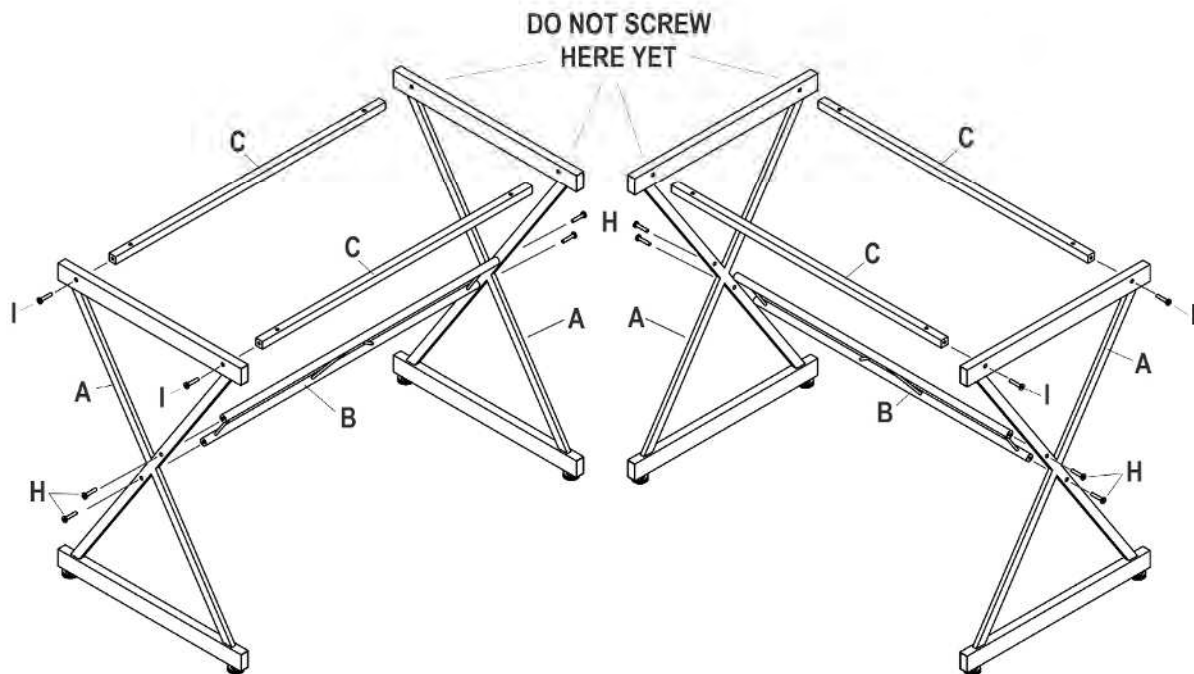
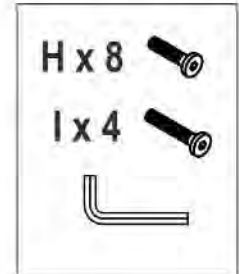
**DO NOT TIGHTEN ANY OF THE SCREWS UNTIL AFTER FINISHING THE STEP No. 3!**

Assemble the Support Structure (B) in between two of the structures (A) using screws (H) as shown BUT LEAVE THEM LOOSE.

Assemble the Horizontal Tubes (C) to the structure (A) ONLY on one end of the frame, using screws (I) as shown BUT LEAVE THEM LOOSE.

Repeat for the second frame.

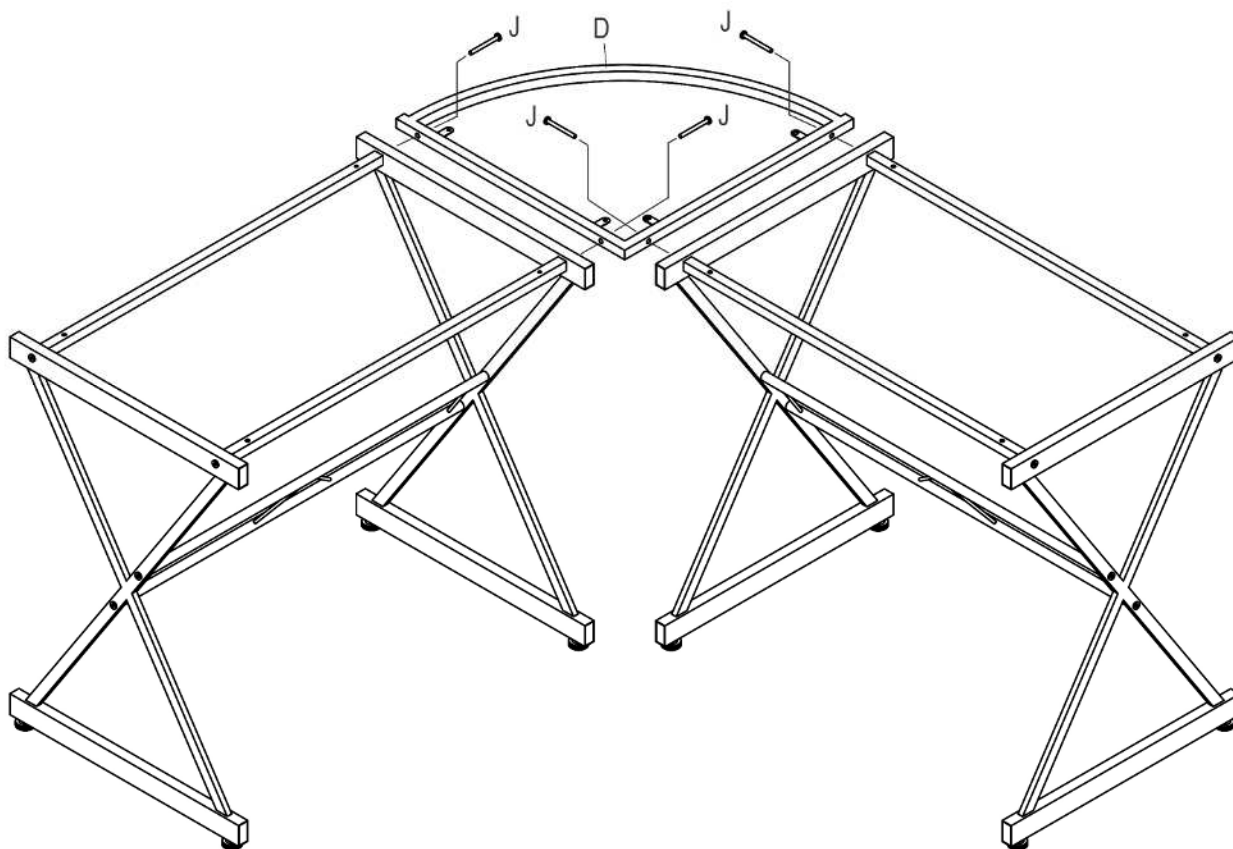
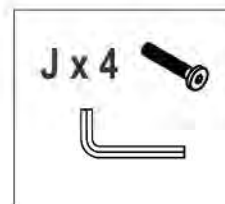
Place the frames oriented as shown for the next step.



**STEP 3.**

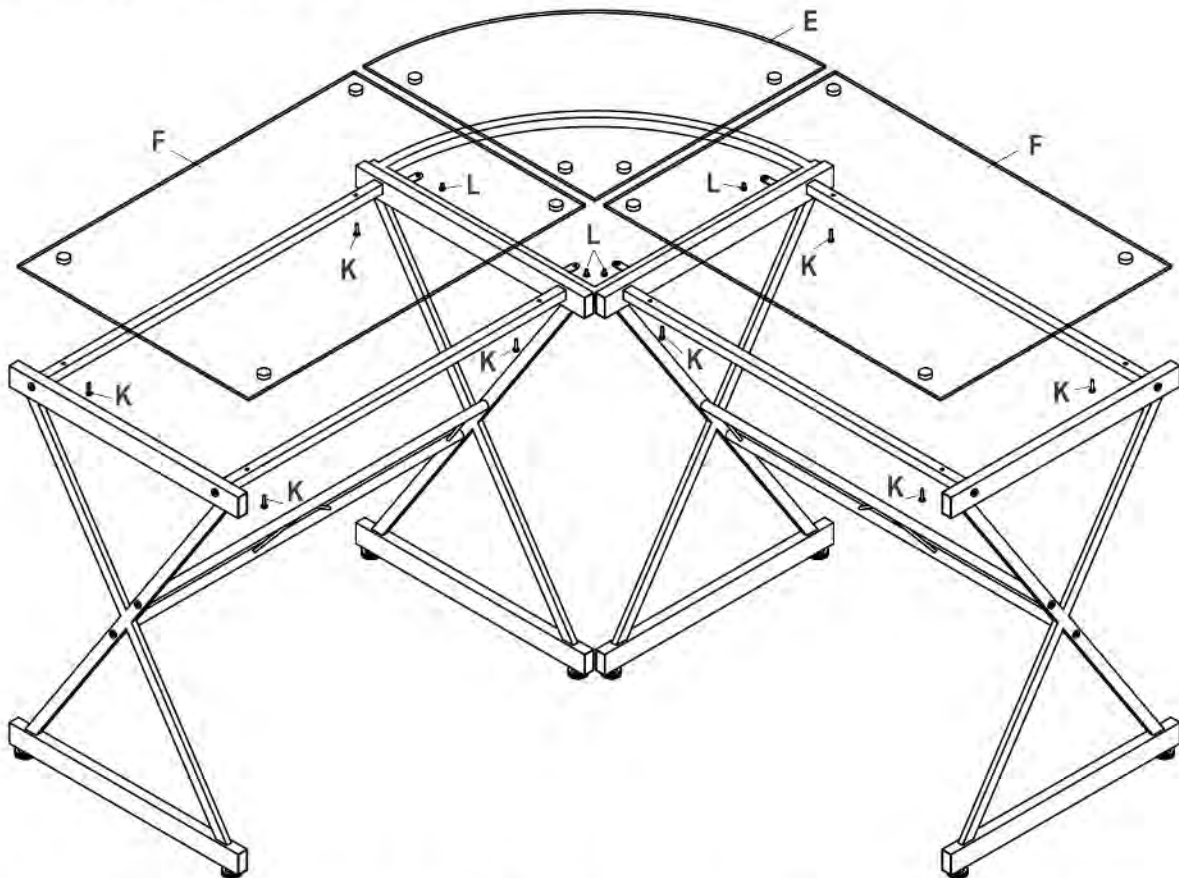
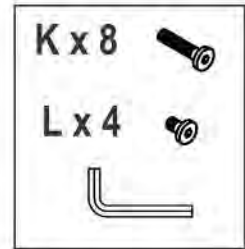
Assemble the Corner Structure (D) to the Main Structures (A) located in the middle of the unit using screws (I) as shown.

Proceed to tighten all the screws on the unit.



**STEP 4.****ATTENTION: TO AVOID MISALIGNMENTS, SCREW LOOSE FIRST!**

Assemble the Corner Glass (E) to the Corner Structure (D) using screws (L), and the Main Glasses (F) to the Tubes (C) on the main frames using screws (K) as shown.



**It is normal for the glasses to be a little uneven with each other, or having small gaps in between, but if there is too much gap or glasses are too uneven, try the following:**

- Loosen or tighten the studs at the bottom of the legs individually until the frames and glasses are level with each other.
- Loosen all the screws for the glasses as well the screws that attach the corner structure to the frames. Pull or push the glasses or corner structure in any direction until getting the best result, and then proceed to retighten all the screws.
- Remove one of the main glasses and turn 180 degrees, re-tighten the screws. Try with the other main glass if necessary.
- Remove the two main glasses and swap their positions.



## CARE AND MAINTENANCE

PLEASE READ THOROUGHLY

- Do not expose the surfaces to direct sunlight or to extreme environmental conditions. Damages caused by this kind of exposure is not covered by the product's warranty.
- Clean the surfaces preferable with a soft cloth damped with a solution of a mild soap and water, then dry with a clean towel.
- Do not use solvents or abrasive materials to clean any part of the unit.
- Do not allow children to play over or under the unit.
- Before moving or transporting the unit:
  - a) Remove all objects from the unit that are heavy or might fall off.
  - b) The unit must be handled preferable by 3 persons: two holding the ends and one holding the middle from the outside. When lifting, bend your knees, not your backs.
  - c) For transporting the unit, it is advisable to disassemble it to have it at least separated as 2 frames plus the corner structure.
- The unit features safety tempered glass, so if accidental breakage occurs, it will shatter into many small pieces, minimizing personal injuries.
- In case of glass breakage do not handle the broken glass with your bare hands, and notify the manufacturer, vendor or distributor immediately before disposing of any parts.