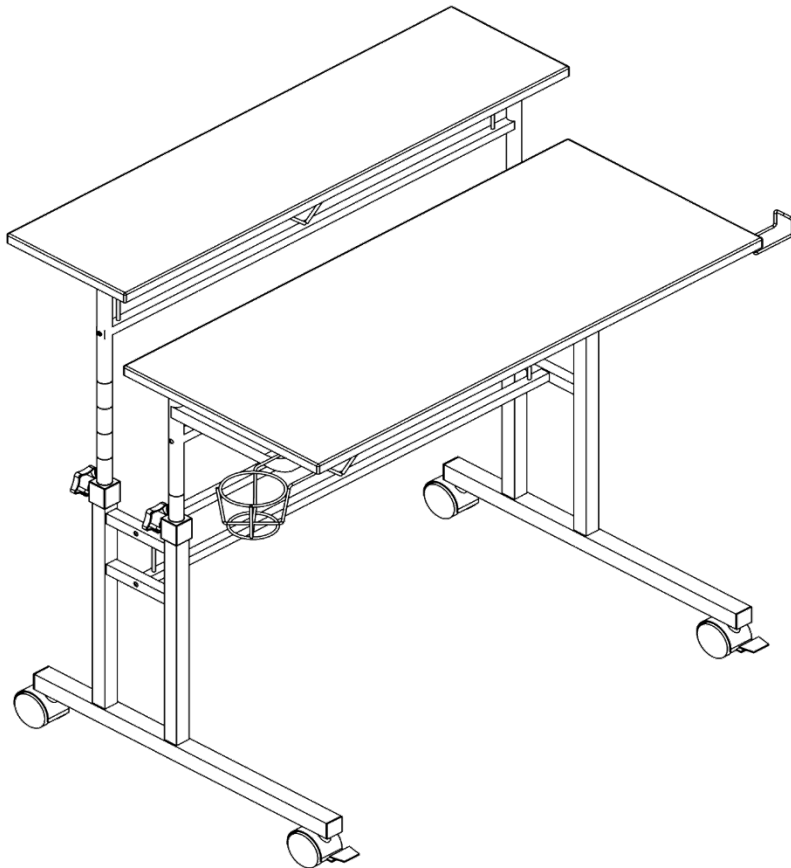




MODEL RTA-3800SU

ASSEMBLY INSTRUCTIONS

Thank you for purchasing our product.





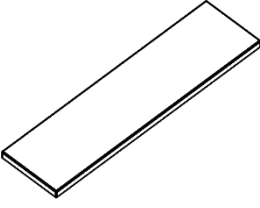
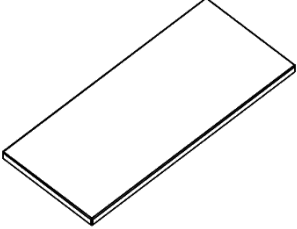
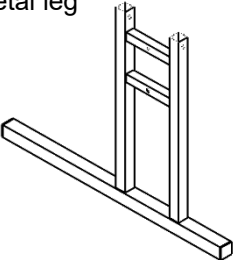
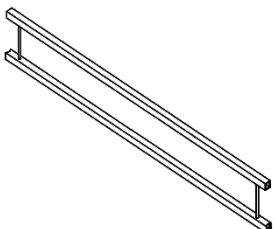
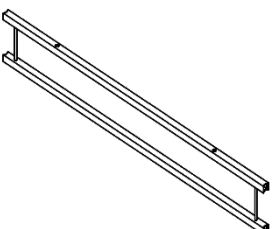
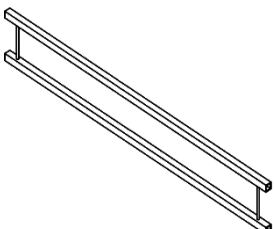
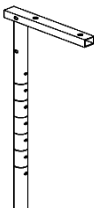
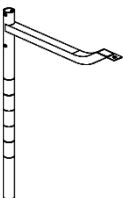
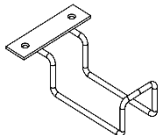
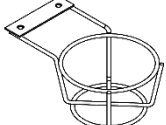
- Please read carefully the assembly instructions before the installation.


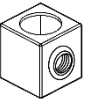







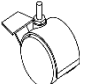


- Do not discard this manual or any of the packaging material until the unit has been completely assembled.



- Might require two people.

MAIN PARTS LIST			
1 x1	Back tabletop 	2 x1	Front tabletop 
3 x2	Metal leg 	4 x1	Back structure 
5 x1	Front structure 	6 x1	Central structure 
7 x2	Back lift structure 	8 x2	Front lift structure 
9 x1	Headphone hanger 	10 x1	Cup holder 

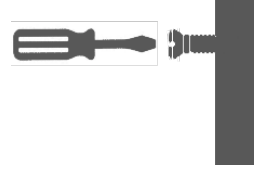
LIST OF HARDWARE, SCREWS AND FITTINGS							
PART	QTY	ITEM					
A	12	M6x38		G1	4	Plastic cover	
B	4	M6x32		G2	4	Screw knob	
C	2	M6x25		H	1	Allen wrench	
D	6	M4x12		I	1	Cone wrench (Spanner)	
E	2	Non-locking caster					
F	2	Locking caster					

BEFORE YOU START THE ASSEMBLY, PLEASE READ THE FOLLOWING TIPS AND WARNINGS.

1 Do a quick inventory to make sure the package contains all the parts and hardware listed in the assembly instructions.



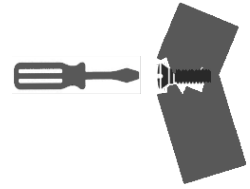
7 To avoid misalignments, always leave the screws loose and tighten them until all pieces are positioned correctly.



2 Missing, damaged and defective parts can be replaced at no cost to you. Please refer to the last pages on this manual.



8 Do not overtighten or force the screws as they might break, strip, damage the threads of the holes or get stuck inside the part.



3 The replacement parts service is limited to the continental United States. If you reside in Alaska, Hawaii, Puerto Rico, U.S. Dependencies or other countries, please contact the supplier from where the unit was purchased.



9 Sometimes the laminate might cover partially or entirely the hole on a panel. If there is no visible hole for the screw, pass and press the tip of your finger over the area where the hole should be located to feel the indentation, and once found, carefully pierce the laminate to reveal the hole underneath.



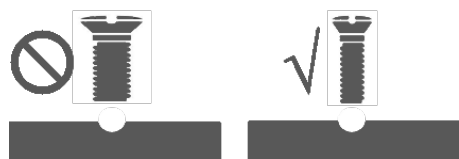
4 If during assembly you find an issue or need clarification, please contact our Customer Service for assistance. Please refer to the last pages on this manual.



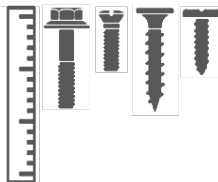
5 On each step read the instructions and analyze the illustrations thoroughly before proceeding to do the assembly.



10 If the hole seems too small for the screw, first make sure you are using the correct size of screw and that it's been installed in the correct hole. If the hole still appears to be too small, carefully pierce the laminate to reveal the hole's actual size.





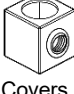


6 Make sure you understand which hardware will be used on each step. Using the wrong size of screw, bolt or pin might strip the threads or cause damage to the part in which it is being used.



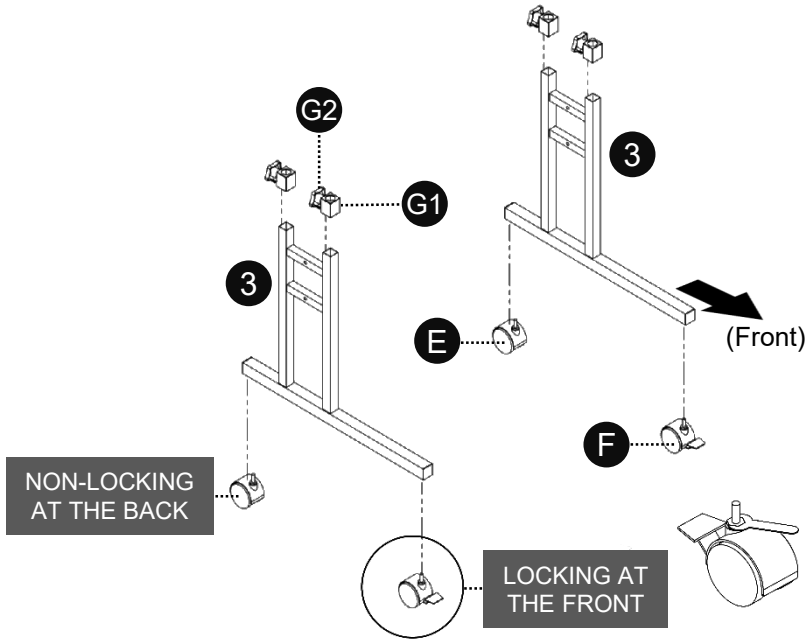
ASSEMBLY STEPS

STEP 1

Hardware:



E		2 Pcs
F		2 Pcs
G1		4 Pcs
G2		4 Pcs
I		

First install the non-locking casters **E** at the back of the legs **3**, and the locking casters **F** at the front using the cone wrench (spanner) as shown. Then attach the plastic covers **G1** and screw knobs **G2** to the top of the legs **3**, making sure the knob faces towards the back as shown.

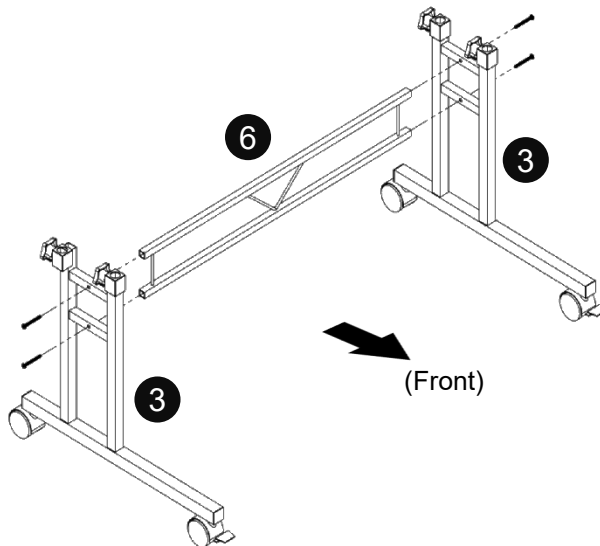


STEP 2

Hardware:

A		4 Pcs
H		

Assemble the central structure **6** in between the legs **3** using screws **A** as shown.



STEP 3

Hardware:

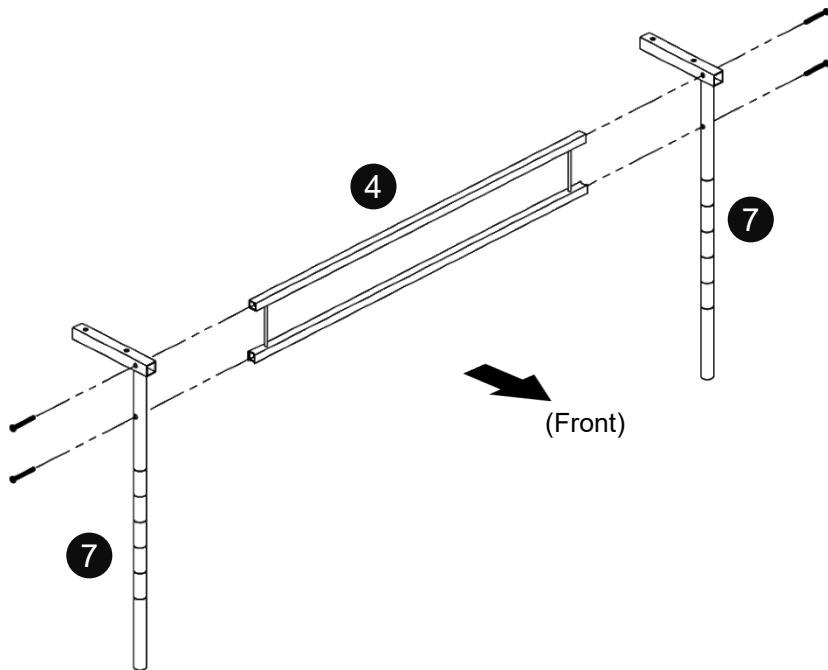
A

4
Pcs

H



Assemble the back structure **4** to the back lift structures **7** using screws **A** as shown.



STEP 4

Hardware:

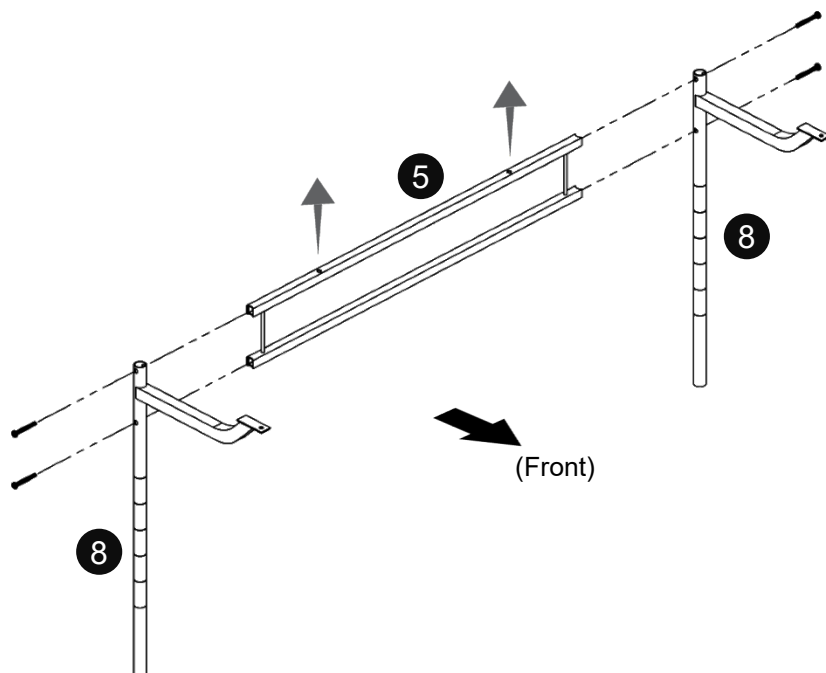
A

4
Pcs

H



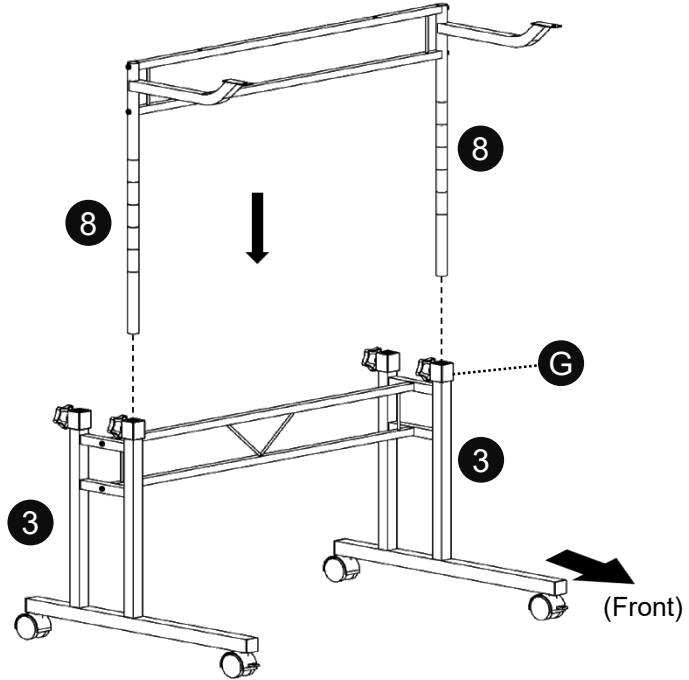
Assemble the front structure **5** to the front lift structures **8** using screws **A**, making sure the holes on **5** face **UP** as shown.



STEP 5



First make sure the screw knobs **G2** are loose, then with the help of another person, insert the front lift structures **8** thru the covers **G1** and into the legs **3**. **DO NOT TIGHTEN** the screw knobs yet.



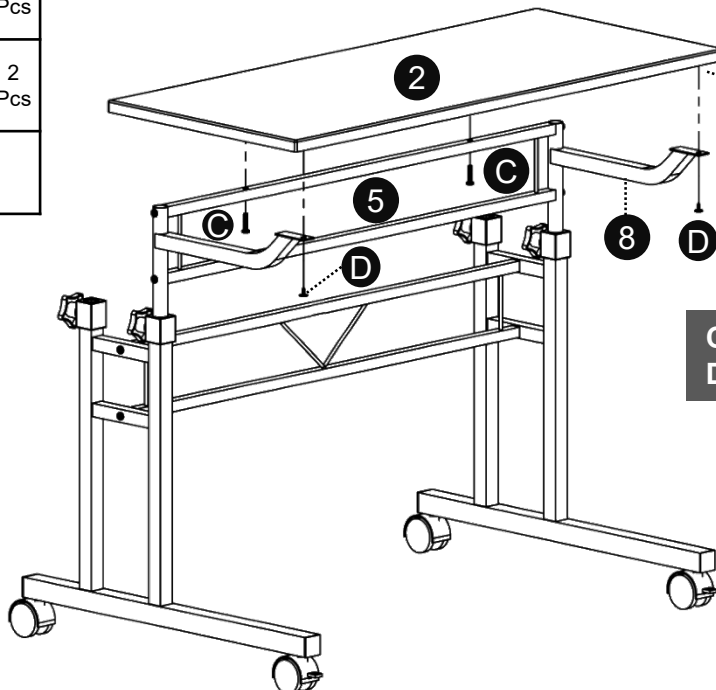
STEP 6

Hardware:

C		2 Pcs
D		2 Pcs
H		

Assemble the front tabletop **2** to the frame using:

- Screws **C** to secure it to the structure **5** from underneath,
- Screws **D** to secure it to the lift structures **8** from underneath.



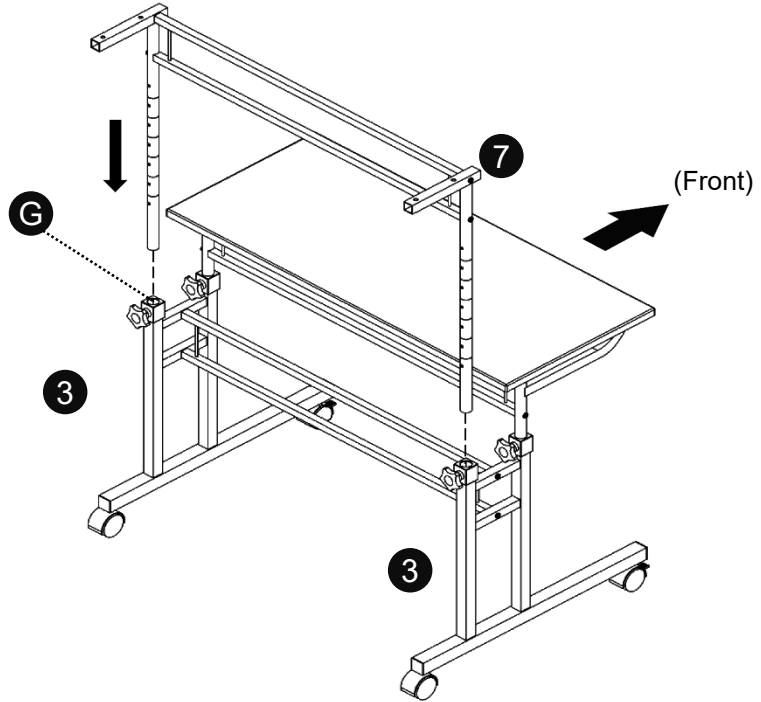
C for the front,
D for the back.

STEP 7





First make sure the screw knobs **G2** are loose, then with the help of another person, insert the back lift structures **7** thru the covers **G1** and into the legs **3**. **DO NOT TIGHTEN** the screw knobs yet.

UNIT IS SHOWN FROM BEHIND WITH ITS FRONT FACING TO THE RIGHT.

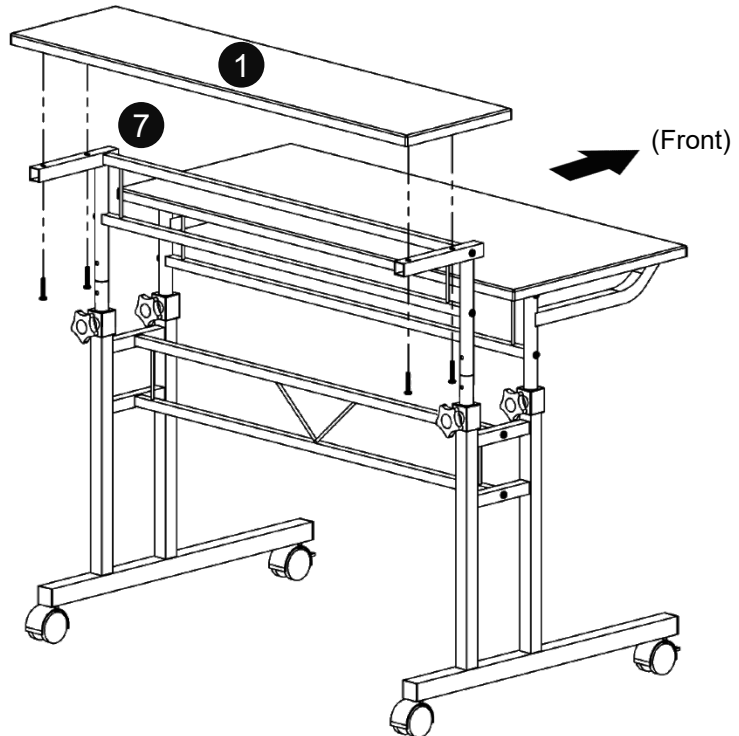


STEP 8

Hardware:

B	 M6x32	4 Pcs
H		

Assemble the back tabletop **1** to the back lift structures **7** using screws **B** as shown



STEP 9

Hardware:

D



M4x12

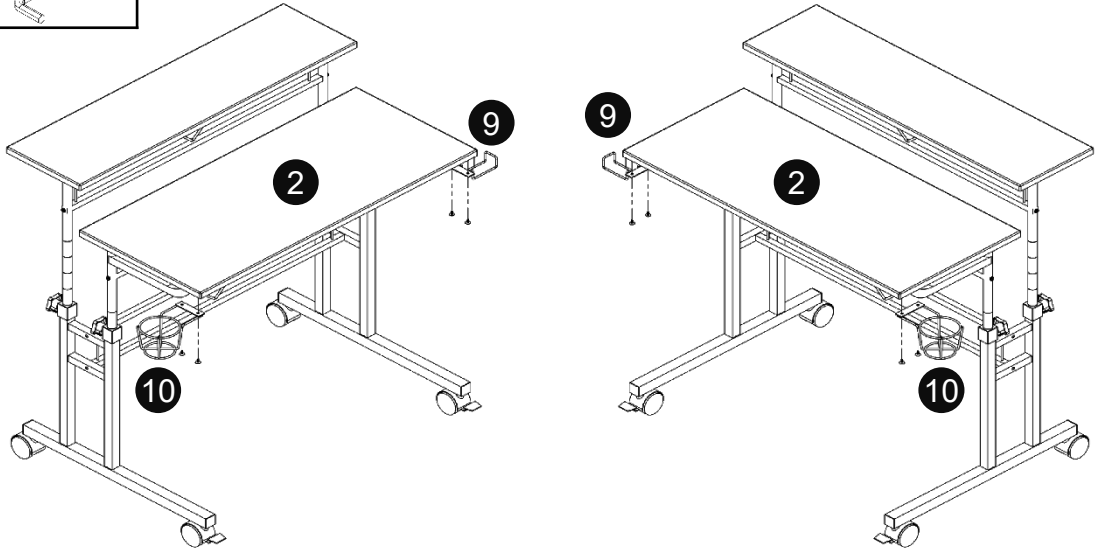
4
Pcs

H



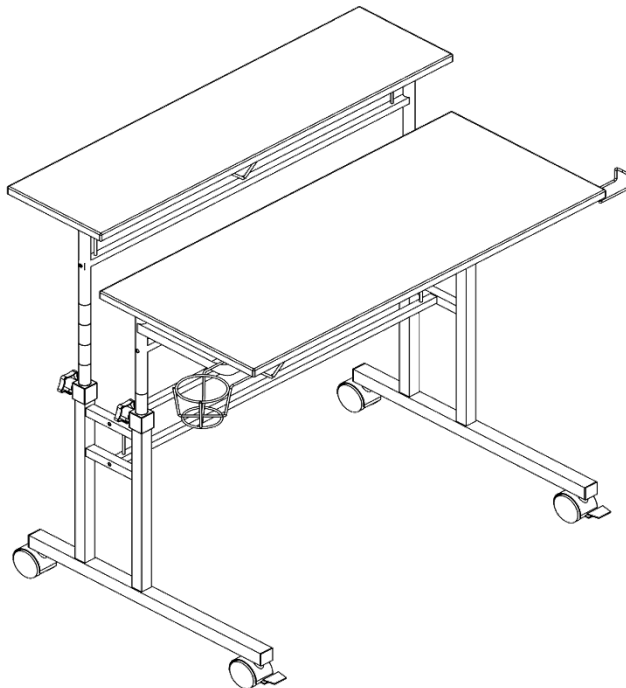
Assemble the headphone hanger **9** and the cup holder **10** to the front tabletop **2** on the sides of your preference using screws **D** from underneath as shown.

Proceed to set the heights of the tabletops according to your preference, and tighten the screw knobs.



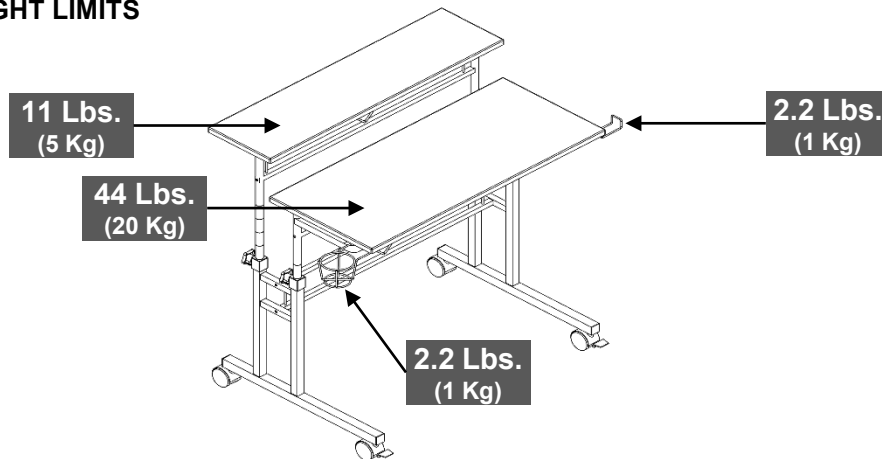
ALL DONE!

Give yourself a nice pat on the back. You did a great job!



AFTER THE ASSEMBLY IS DONE, PLEASE READ CAREFULLY THE FOLLOWING CARE AND MAINTENANCE WARNINGS:

WEIGHT LIMITS



- Do not exceed the indicated weight limits.
- Do not expose the surfaces to direct sunlight or to extreme environmental conditions.
- Clean the surfaces preferable with a clean cloth damped in a solution of mild soap and water, then dry with a clean towel.
- Do not use solvents or abrasive materials to clean the unit.
- If you decide to use a cleaning agent, test first on an area hidden from view such as underneath the tabletop.
- Do not sit on the unit or lean against it.
- Always keep the unit with the front casters locked, and do not allow small children to play under or over the unit, move it, or use it as moving vehicle to avoid the risk of objects falling from it and hurting them.
- Before moving the unit, make sure to unlock the front casters and hold, secure or remove any object that might fall off.
- When transporting the unit to places far away, protect and secure the unit to avoid damage in transit.
- Shall any part of the unit become defective during the warranty period, replacement parts might be available to you at no charge. Please refer to the last pages on this manual.
- The warranty does not extend to regular wear and tear, nor the manufacturer assumes liability for damages or consequences due to accidents, incorrect assembly, negligence, improper use, modifications, or not heeding the above warnings.

TECHNI MOBILI WARRANTY
DESKS/LAPTOP CARTS/FILE CABINETS: LIMITED 5-YEAR WARRANTY
TV Stand/Entertainment Center: 2 YEAR WARRANTY

RTA Products, LLC warrants to the Original Purchaser who acquired a new product from RTA Products or its authorized resellers that this product will be free from defects in its workmanship and materials, under normal use and service conditions, as described herein. "Defects" as used in this warranty, is defined as any imperfections that impair the use of the furniture or product. RTA Products LLC will replace any defective part, at its discretion, and without charge to the original purchaser other than the freight from the end consumer to RTA Products.

Replacement parts can only be supplied if parts are available. Items out of production may be unavailable. This warranty will be effective for the applicable time period beginning the date of purchase on your original sales receipt. RTA product's obligation under this warranty is limited to repairing or replacing products or parts as provided herein. This product has been designed for and is intended for office and home-office use only. This warranty is Original Purchaser's sole remedy for product defects, and this warranty does not extend to any product, or damage to any product, caused by or attributed to abuse or misuse, products used for commercial or rental purposes, use modifications of, or attachments to the product, and products or parts not used, maintained, or extended hereunder is in lieu of any and all other warranties, express or implied, including without limitations any implied warranty or merchantability or of fitness for a particular purpose. Please note, all desks made with PVC Laminate surface should not be exposed to direct sunlight, as it may damage the material. Damage of this nature is not covered under this warranty.

RTA Products will not be responsible for indirect, special, incidental or consequential damages. This warranty is limited to merchandise purchased in the Continental United States. Some States do not allow the exclusion or limitation of incidental or consequential damages, so the above limitations or exclusions may not apply to you. This warranty gives you specific legal rights. You may also have other rights that may vary from state to state.

RTA Products will advise you of the procedure to follow in making warranty claims. The following are the procedures for warranty claims:

- a. Call us Monday – Friday, from 9am-5pm (Eastern Time) at (866) 782-5520 to explain the defect and give your name, address and phone number. Please have ready the model number of our product, date and place of purchase. You can also write to us by e-mail to warranty@rtaproducts.com and include the same information.
- b. If we determine that replacement will remedy the situation, and in order to determine the extent or the cause of the defect, purchaser will need to send the part in question at purchaser's expense. Once we receive the part, we will examine it and determine whether the claim is valid (or not), and then proceed to send the replacement. We will ship the replacement at our expense.

FOR SEVERAL HELP OPTIONS INCLUDING REPLACEMENT PARTS ORDERS

VISIT: WWW.TECHNIMOBILI.COM



CLICK ON SUPPORT TAB



Scan QR Code to order replacement parts

OR EMAIL US: SUPPORT@RTAPRODUCTS.COM