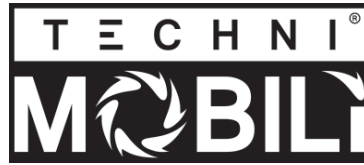
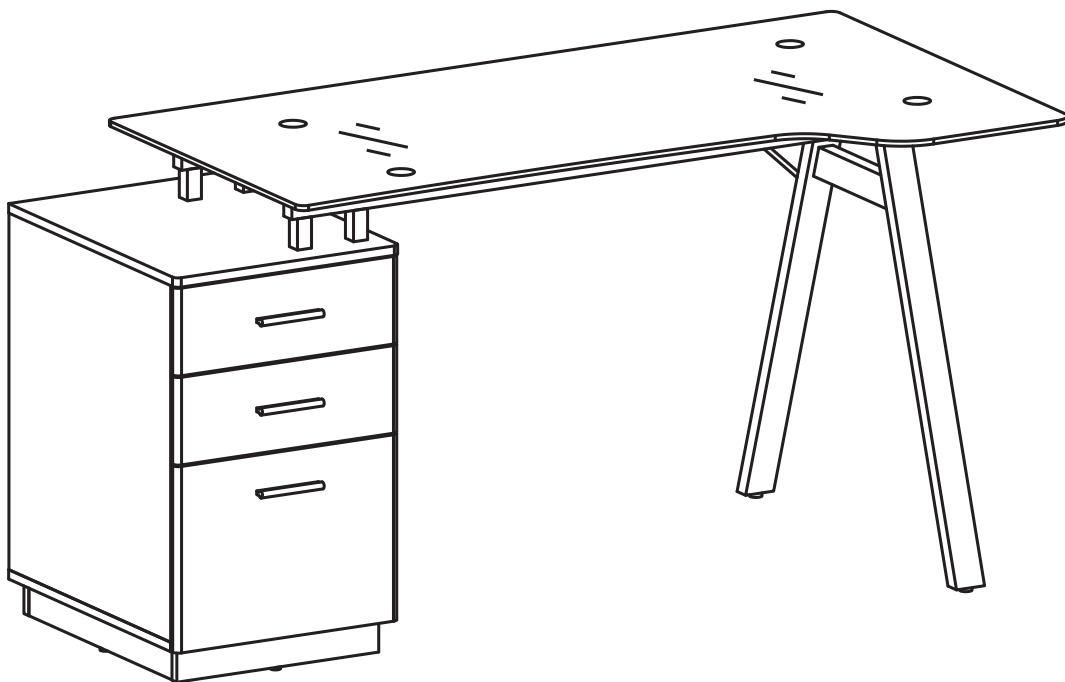


ASSEMBLY INSTRUCTIONS



MODELRTA-3377D

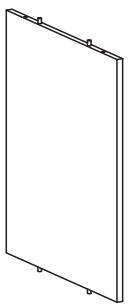
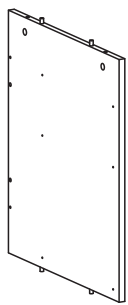
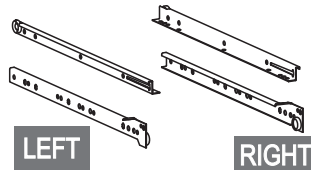
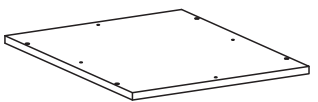
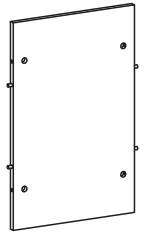
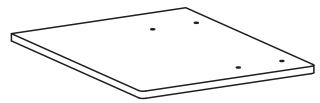
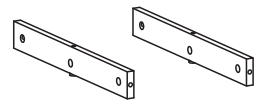
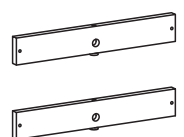


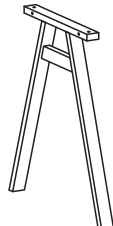

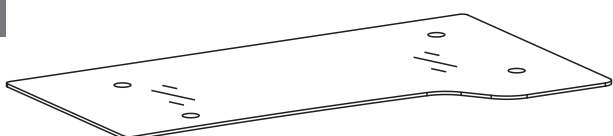
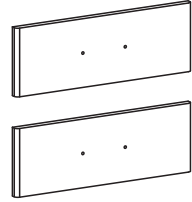
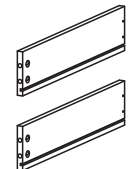
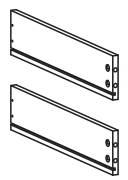
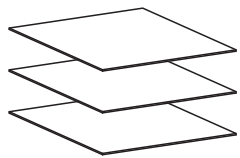
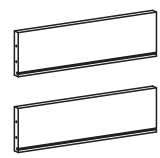

Thanks for purchasing one of our products.
Please read carefully the assembly instructions before the installation.
Do not discard this manual or any of the packaging material until the unit has been completely assembled.



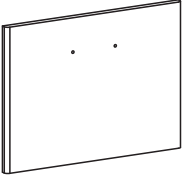
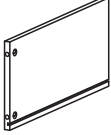
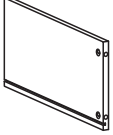
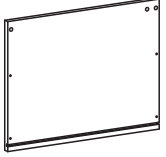


 Assembly requires of 2 people







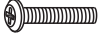
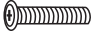
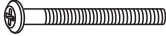



MAIN PARTS LIST

<p>1 Left panel</p> <p>1X</p> 	<p>2 Right panel</p> <p>1X</p> 	<p>3 Sliders</p> <p>3X Set</p> 	<p>4 Bottom panel</p> <p>1X</p> 
<p>5 Back panel</p> <p>1X</p> 	<p>6 Top panel</p> <p>1X</p> 	<p>7 Side base</p> <p>2X</p> 	<p>8 Front and back base</p> <p>2X</p> 
<p>9 Back support bar</p> <p>1X</p> 	<p>10 Front support bar</p> <p>1X</p> 	<p>11 Right structure</p> <p>1X</p> 	<p>12 Diagonal support bar</p> <p>1X</p> 
<p>13 Glass top</p> <p>1X</p> 	<p>14 Upper drawers front panel</p> <p>2X</p> 	<p>15 Upper drawers left panel</p> <p>2X</p> 	
<p>16 Upper drawers right panel</p> <p>2X</p> 	<p>17 Bottom panel</p> <p>3X</p> 	<p>18 Upper drawer back panel</p> <p>2X</p> 	<p>19 Handles</p> <p>3X</p> 

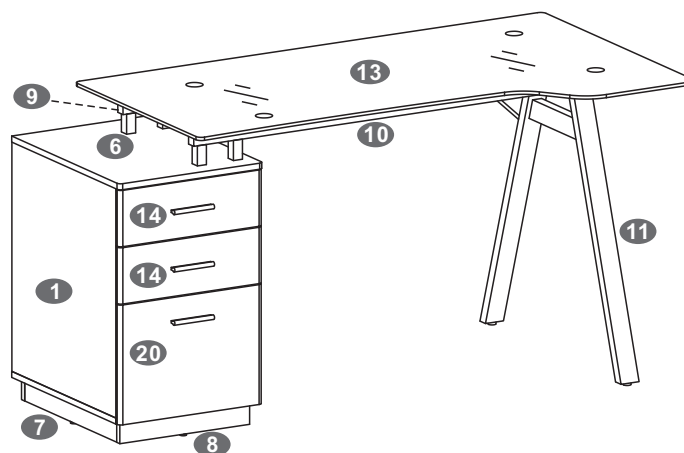
MAIN PARTS LIST

<p>20 Lower drawer front panel</p> <p>1X</p> 	<p>21 Lower drawer left panel</p> <p>1X</p> 	<p>22 Lower drawer right panel</p> <p>1X</p> 	<p>23 Lower drawer back panel</p> <p>1X</p> 
<p>24 Lower drawer tubes</p> <p>2X</p> 	<p>25 Stud</p> <p>2X</p> 		

LIST OF SCREWS AND FITTINGS

PART	QTY.	ITEM	Figure	PART	QTY.	ITEM	Figure
A	24	3X15 MM		F	4	5X40 MM	
B	28	6X40 MM		G	12	4X35 MM	
C	8	6X30 MM		H	6	4X20 MM	
D	2	6X65 MM		I	4	Φ16 MM	
E	2	6X12 MM			1		

LOCATION OF THE MAIN PARTS
(FOR REFERENCE)

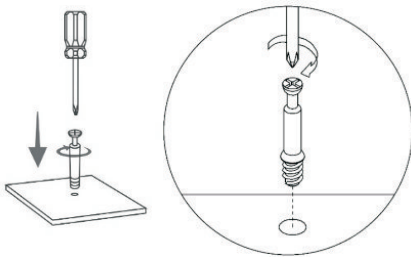


This unit uses special bolts and connectors. The following explains how to use this kind of hardware. This is not an assembly step, it is a guide for when you should use these hardware.

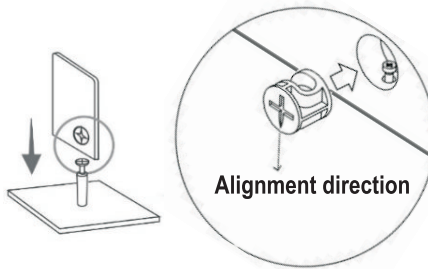
Cam Bolt 

Cam lock 

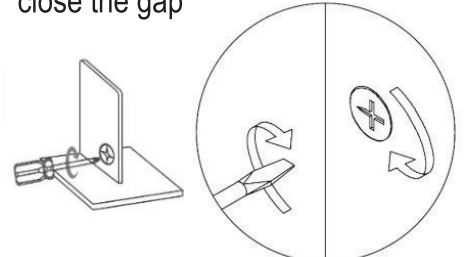
1. Screw the bolt into the panel shown.



2. On the other panel, insert and align the connector so that it can receive the bolt head.



3. When putting the panels together there may be a small gap; this is normal. Rotate the connector to lock the panels and close the gap.



BEFORE YOU BEGIN ASSEMBLY, READ THE FOLLOWING WARNINGS AND TIPS:

- ▣ Take a quick inventory to make sure the product contains all the parts, screws, and hardware.
- ▣ If parts are missing, broken, or have a factory defect, please contact the seller or store where you purchased it for assistance as soon as possible.
- ▣ Follow the instructions step by step, and don't skip any.
- ▣ At each step, first read the instructions and analyze the illustrations before proceeding with the assembly.
- ▣ Make sure you understand which screw will be used in each step and in each part. Using the wrong screws can cause damage to the screw or the part it is being used on.
- ▣ To avoid misalignment, always tighten the screws halfway, and do not tighten them until they are all in place.
- ▣ Do not over-tighten or force the screws as they could break, sweep, jam, or cause damage to the parts where you are using them.
- ▣ Sometimes the laminate may be partially or completely covering the voids in the panels. To make sure, run your fingertip into the area to find the dent in the gap, and carefully pierce the laminate to leave the gap visible.
- ▣ If the hole appears too small for the screw, first make sure you are using the correct size, and that you are placing it in the correct part and hole. Refer to the previous point if it were the case, and carefully perforate the laminate.
- ▣ The manufacturer is not responsible for damages or consequences due to accidents, own errors or incorrect assembly.

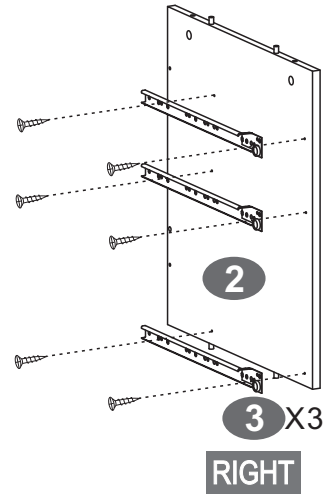
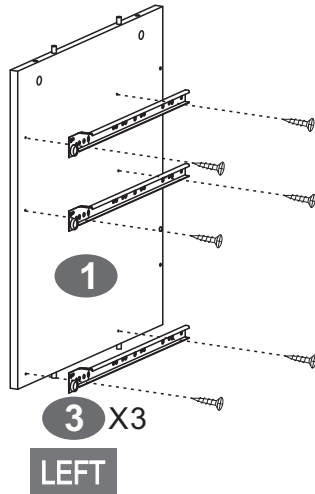
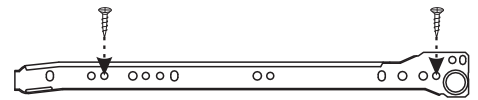
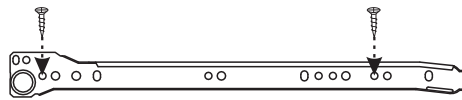
STEPS FOR ASSEMBLY

STEP 1

Separate the sliders (3) according to their shape: The flat ones are used in this step while the "L" shaped ones will be used later. Assemble the flat sliders (3) to panels (1) and (2) using screws A as shown.

Hardware:

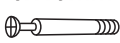
A	3x15mm	12X
		

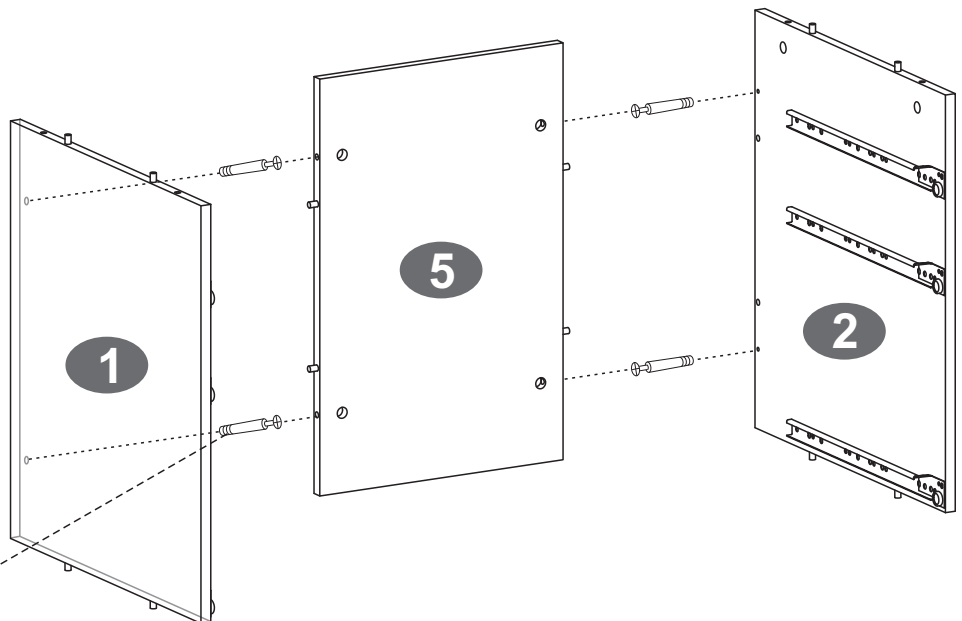


STEP 2

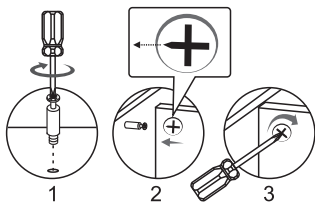
Assemble panels (1) and (2) to panel (5) using bolts B as explained on page 4.

Hardware:

B	6x40mm	4X
		



See page 4

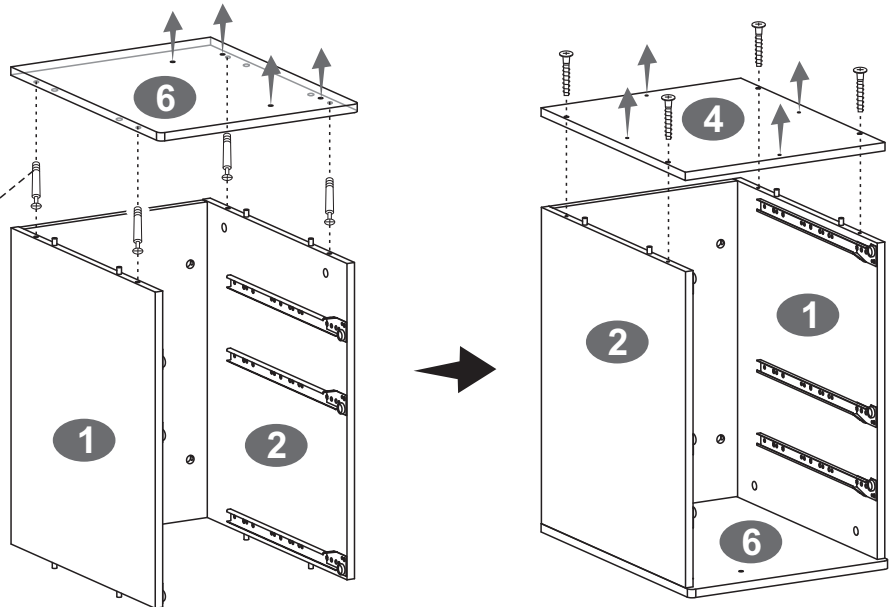
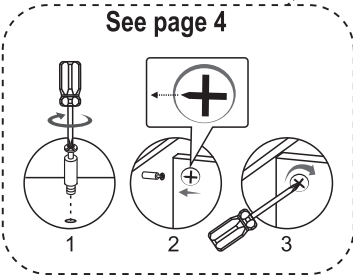


STEP 3

Hardware:

B	6x40mm	4X
F	5x40mm	4X

Assemble panel (6) to the top of panels (1) and (2) using bolts B as explained on page 4. Then assemble panel (4) to the bottom of panels (1) and (2) using screws F as shown.



STEP 4

Hardware:

B	6x40mm	4X
----------	--------	----

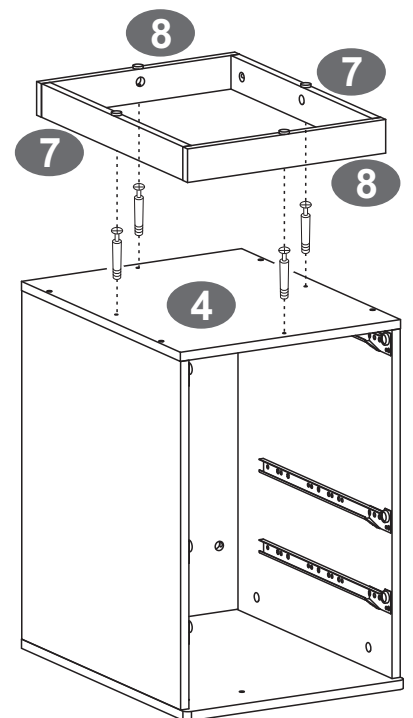
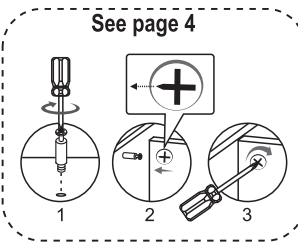
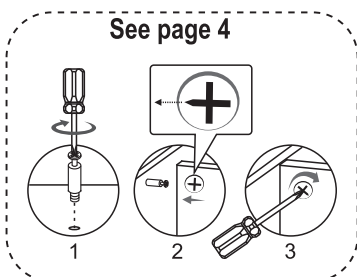
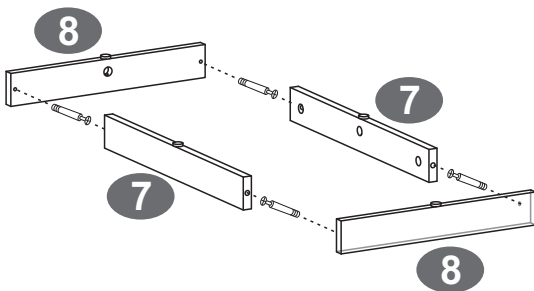
Assemble all panels (7) and (8) using bolts B as shown and as explained on page 4.

STEP 5

Hardware:

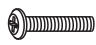

B	6x40mm	4X
----------	--------	----

Assemble panels (7) and (8) to the bottom of panel (4) using bolts B as explained on page 4 and as shown in the figure.

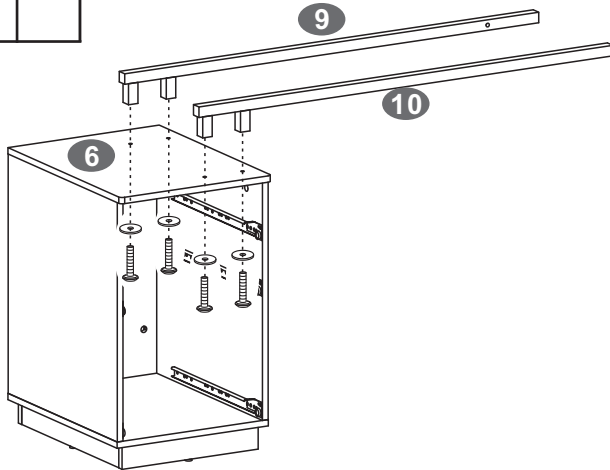


STEP 6

Hardware:

C	6x30mm	4X
		
I	16 mm	4X
		

Assemble the support bars (9) and (10) to the top of the panel (6) using screws (C) and washers (I).

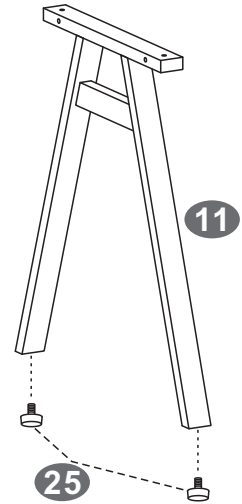


STEP 7

Hardware:

25	Studs	2X
		

Insert the studs (25) to the bottom of the frame (11) as shown

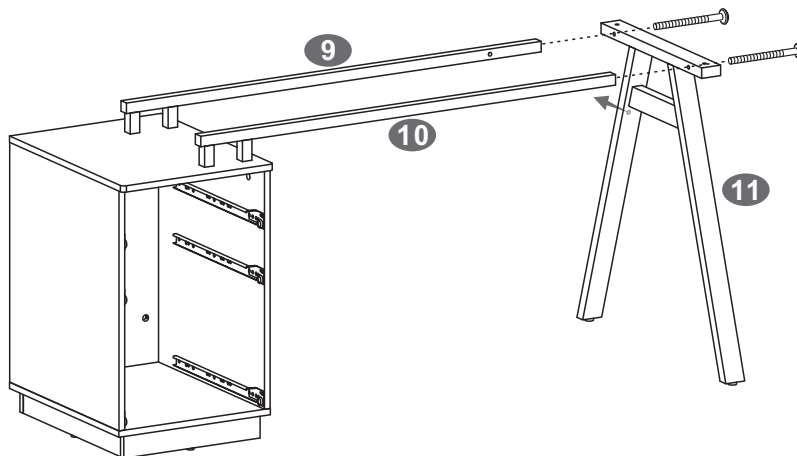


STEP 8

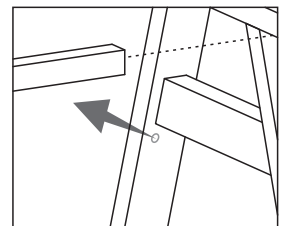
Hardware:

D	6x65mm	2X
		

Assemble the right structure (11) to support bars (9) and (10) using screws (D) as shown.



NOTE: Pay attention to the orientation of the structure (the hole towards the rear).

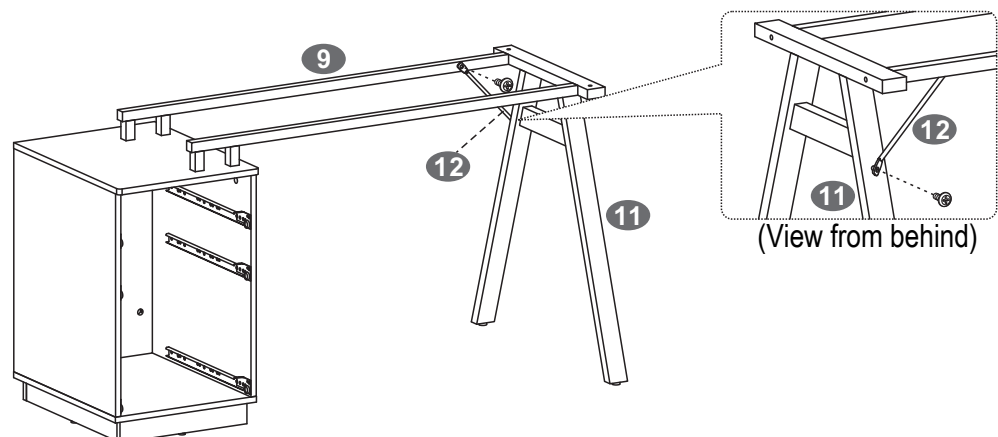


STEP 9

Hardware:

E	6x12mm	2X
		

Assemble the support bar (12) to the bar (9) and the structure (11) using screws (E)



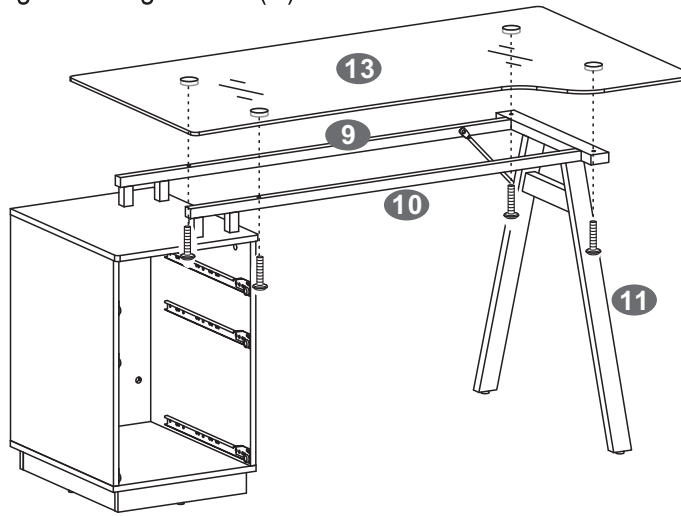
(View from behind)

STEP 10

Hardware:


C	6x30mm	4X
		

Carefully place the glass stop (13) over the frame, making sure the round metal discs on the glass align with the holes on the support tubes (9), (10) and the structure (11), and secure the glass using screws (C) from underneath.

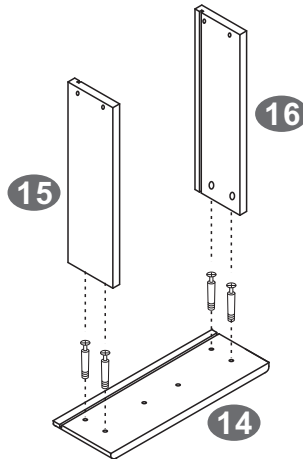
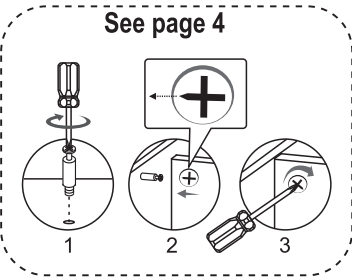


STEP 11

Hardware:

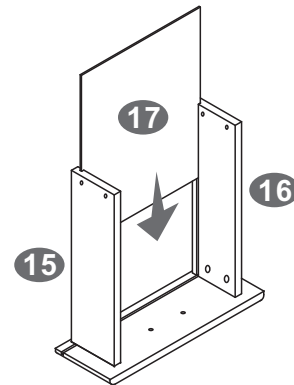
B	6x40mm	4X
		

Assemble panels (15) and (16) to panel (14) using bolts (B) as explained on page 4.




STEP 12

Insert panel (17) between panels (15) and (16) as shown

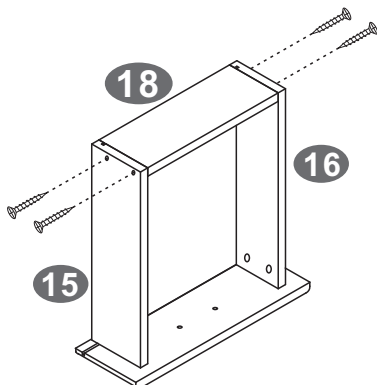


STEP 13

Hardware:

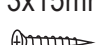
G	4x35mm	4X
		

Assemble panel (18) between panels (15) and (16) using screws (G)



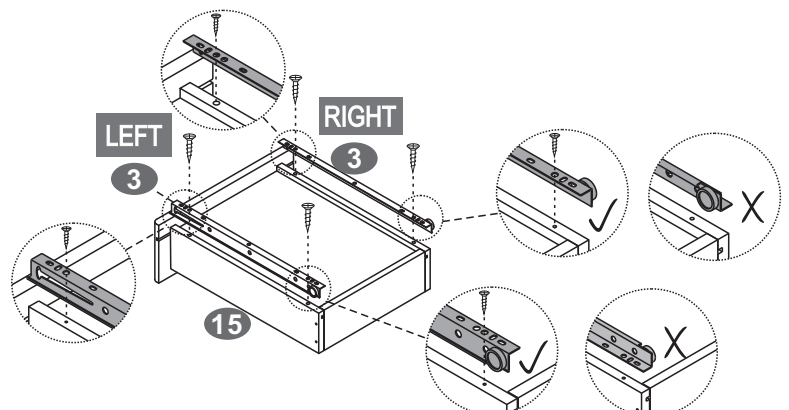
STEP 14

Hardware:

A	3x15mm	4X
		

Assemble the "L" sliders (3) to the bottom of the drawer using screws (A).

IMPORTANT: pay attention to the correct position shown in the figure, if it is placed incorrectly, the drawers will rise 0.75 inches more and the top drawer will not close

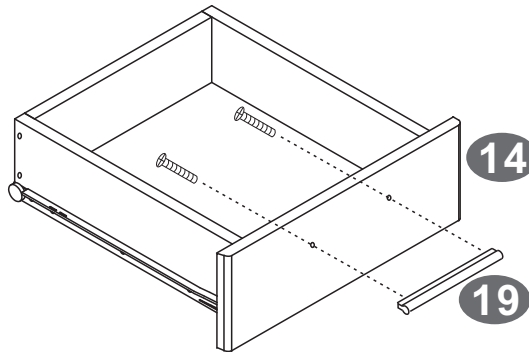


STEP 15

Assemble the handle (19) to the drawer front panel (14) using screws (H) as shown

Hardware:

H	4x20mm	2X
		




IMPORTANT: Repeat steps 11 through 15 for the second small drawer.

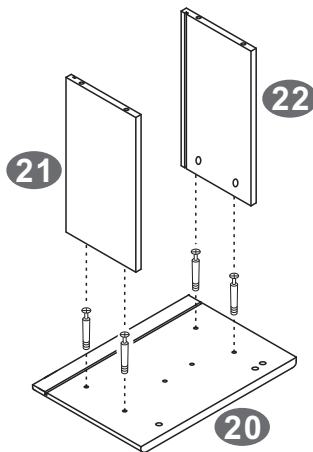
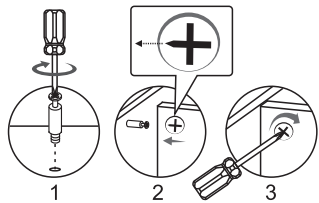
STEP 16

Assemble panels (21) and (22) to front panel (20) using bolts (B) as explained on page 4.

Hardware:

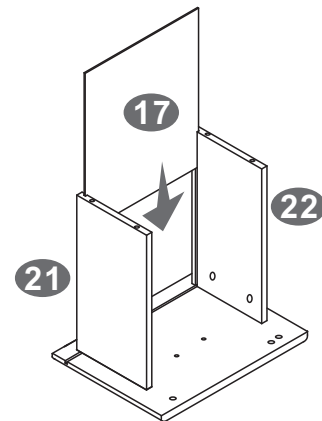
B	6x40mm	4X
		

See page 4



STEP 17

Insert panel (17) between panels (21) and (22) as shown

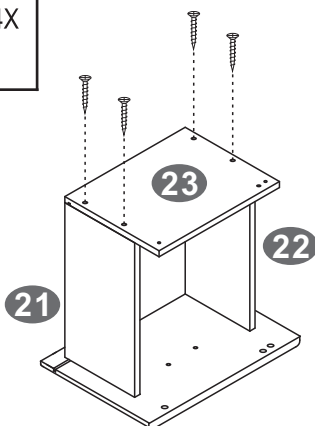


STEP 18

Assemble panel (23) to panels (21) and (22) using screws (G).

Hardware:

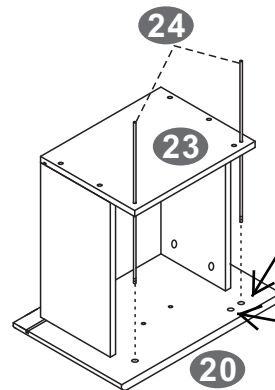
G	4x35mm	4X
		



STEP 19

Insert the tubes (24) through the rear panel (23) and carefully screw onto the front panel (20).

ATTENTION: Do not overtighten as it may perforate the panel on the other side!



Note: For letter-size folders use the innermost holes on the right side.

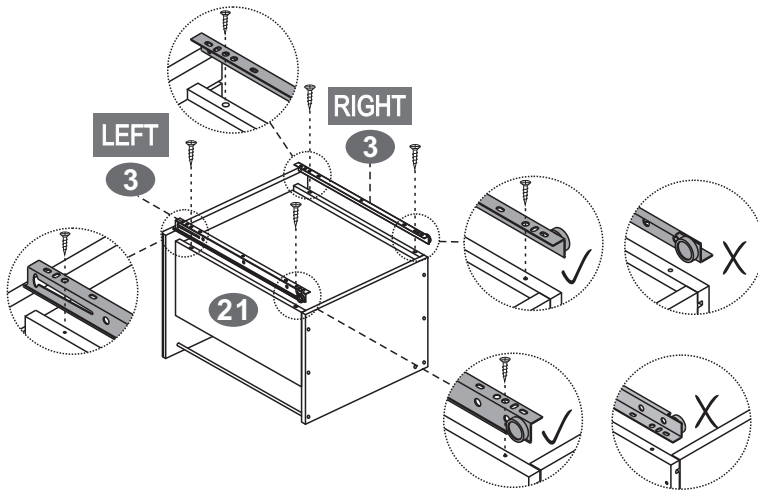
STEP 20

Hardware:

A	3x15mm	4X
----------	--------	----

Assemble the "L" sliders (3) to the bottom of the drawer using screws (A).

IMPORTANT: pay attention to the correct position shown in the figure, if it is placed incorrectly, the drawers will rise 0.75 inches more and the top drawer will not close

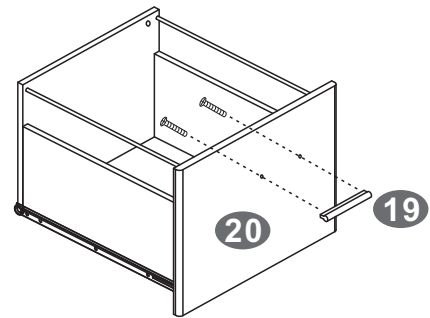


STEP 21

Hardware:

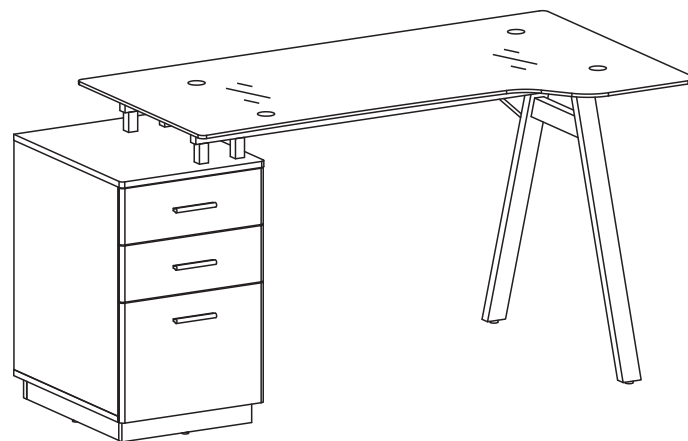
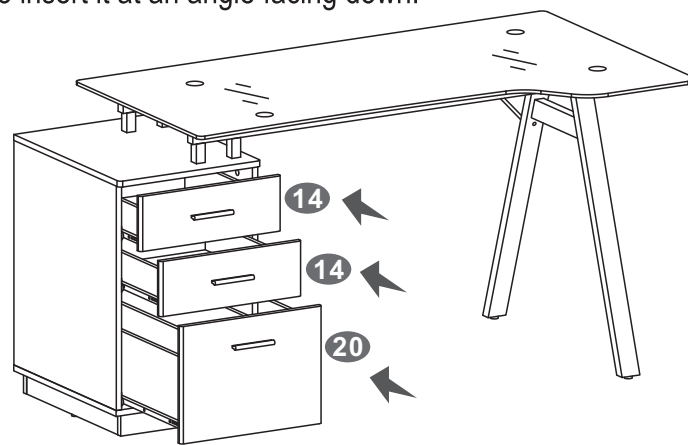
H	4x20mm	2X
----------	--------	----

Assemble the handle (19) to the front of the drawer using screws (H) as shown.



STEP 22

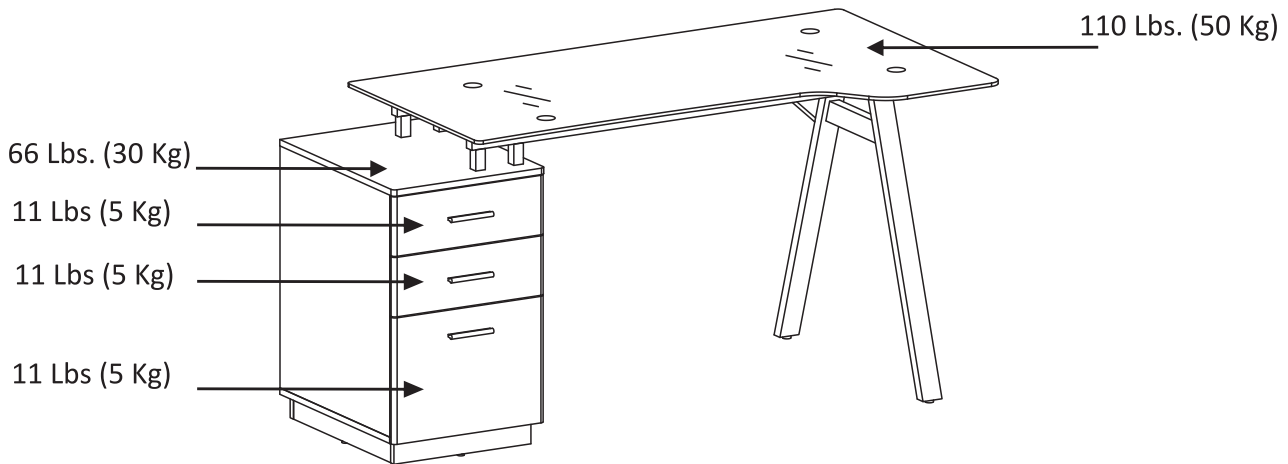
Insert the drawers, starting with the lower drawer. For the upper drawer, you may have to insert it at an angle facing down.



DONE! Before starting to use the product, make sure that all screws, bolts, etc. are tight, and please read the warnings on the next page.

AFTER THE ASSEMBLY IS DONE, PLEASE READ CAREFULLY THE FOLLOWING CARE AND MAINTENANCE WARNINGS:

WEIGHT LIMITS



- Do not exceed the indicated weight limits.
- Do not expose the surfaces to direct sunlight or to extreme environmental conditions.
- Clean the surfaces preferable with a clean cloth damped in a solution of mild soap and water, then dry with a clean towel.
- Do not use solvents or abrasive materials to clean the unit.
- If you decide to use a cleaning agent, test first on an area hidden from view such as underneath the tabletop.
- Do not seat on the unit or lean against it.
- Do not allow small children to play under or over the unit, or inside the cabinet.
- Do not allow small children to reach inside the drawers or cabinet without your supervision.
- The unit must be handled by at least 2 persons when moving in the same or adjacent rooms.
- Before moving the unit, make sure to remove any object that is heavy or might fall off. Please note that lifting from the tabletop with too much weight on the product might lead to part damage/separation.
- When lifting the unit, use both hands and bend your knees, not your backs.
- When transporting the unit to places far away, protect and secure the unit to avoid damage in transit.
- The glass is made of safety tempered glass. The safety feature is that when breakage occurs, the glass shatters into many tiny pieces minimizing the risk of serious injuries. If the glass breaks, do not handle the pieces with your bare hands, take some pictures and contact Customer Service immediately. Please refer to the Contact Us card.
- Shall any part of the unit become defective during the warranty period, replacement parts might be available to you at no charge. Please refer to the WARRANTY card included with the product.
- The warranty does not extend to regular wear and tear, nor the manufacturer assumes liability for damages or consequences due to accidents, incorrect assembly, negligence, improper use, modifications, or not heeding the above warnings.
- The warranty is limited to the continental United States. If you reside in Hawaii, Puerto Rico, U.S. Dependencies or other countries, please contact the supplier from where the unit was purchased.