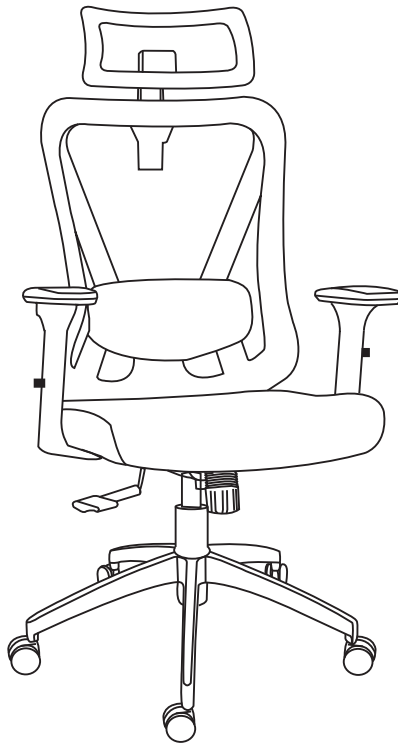


**Techni Mobili Modern Ergonomic Office Chair**

# **MODEL RTA-3265C**

## **ASSEMBLY INSTRUCTIONS**

REV.AOF-7372-0623



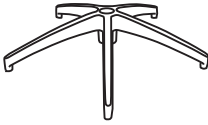
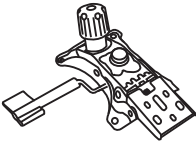
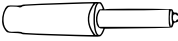

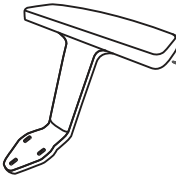







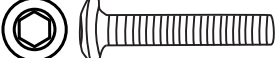



**Thank you for purchasing our product**



<p>Do a quick inventory of all the parts and hardware listed below.</p> 	<p><b>For Support, assembly questions &amp; Replacement Parts within the 48 Contiguous United States:</b></p> <p>Please email us at: <a href="mailto:support@rtaproducts.com">support@rtaproducts.com</a></p> 	<p>Replacement Parts for International Customers &amp; <b>AK-HI-PR</b> orders: RTA Products will replace the part free of charge, while <b>the customer is responsible for shipping costs plus any International local taxes or duties.</b></p>
---	---	---

## MAIN PARTS LIST

<p><b>A</b> Backrest x1</p> 	<p><b>B</b> Seat x1</p> 	<p><b>C</b> 5-Leg star metal base x1</p> 	<p><b>D</b> Mechanism with tension knob and latch x1</p> 
<p><b>E</b> Lift cylinder x1</p> 	<p><b>F</b> Caster x5</p> 	<p><b>G-L</b> Left armrest x1</p>  <p style="text-align: right;">(Front)</p> <div style="background-color: #444; color: white; padding: 2px; text-align: center; font-size: 8px;">Sitting on the chair, not looking at it</div>	<p><b>G-R</b> Right armrest x1</p>  <p style="text-align: right;">(Front)</p> <div style="background-color: #444; color: white; padding: 2px; text-align: center; font-size: 8px;">Sitting on the chair, not looking at it</div>
<p><b>H</b> Headrest x1</p> 			

HARDWARE LIST				
PART #	QTY	SIZE / DESCRIPTION	USE IN	(Scaled reference) 
I	6	M6x20	Mechanism to seat; headrest to backrest	
J	6	M6x30	Armrests to seat	
K	3	M8x40	Backrest to mechanism	
L	7	Ø8, Ø15 Metal washer	Mechanism, backrest	
M	6	Ø6, Ø14 Metal washer	Armrests	
N	2	Ø17 Plastic cap	Headrest	

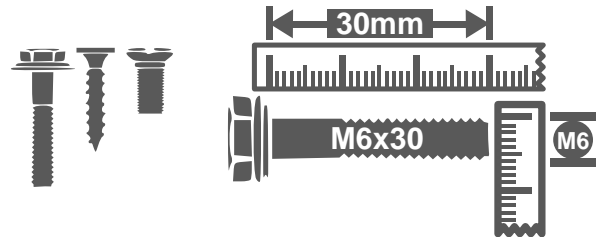
INCLUDED TOOLS			
1	M6 Allen wrench	Use in steps 1, 2, 3 & 6	

BEFORE YOU START THE ASSEMBLY, PLEASE READ THE FOLLOWING TIPS AND WARNINGS.

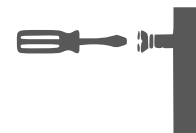
- Do not discard this manual or any of the packaging material until the unit is completely assembled.
- Please read the assembly instructions thoroughly and follow step by step.



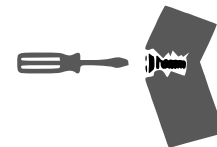
- Make sure you understand which hardware will be used on each step. Using the wrong size of screw, bolt or pin might strip the threads or cause damage to the part in which it is being used.



- To avoid misalignments, always leave the screws loosely and do not tighten them until all the pieces are positioned correctly.



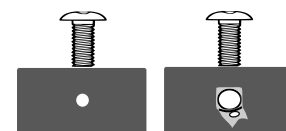
- Do not overtighten or force the screws as they might break, strip, damage the threads of the holes, or get stuck inside the parts.



- If the hole seems too small for the screw, make sure you are using the correct size of screw and/or that you are installing it in the correct hole.





- Sometimes the fabric or material might cover partially or entirely the screw hole, making the hole appear to be too small or not visible at all.



## ASSEMBLY STEPS

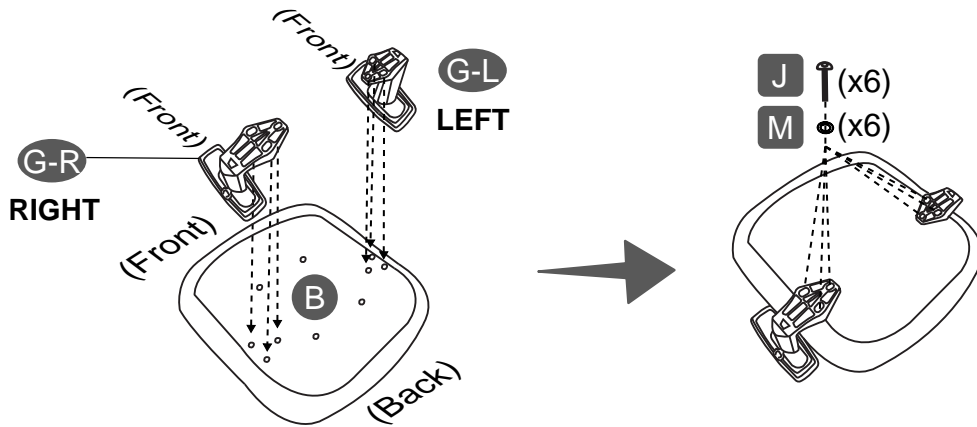
### STEP 1

#### Hardware

J		6 Pcs
M		6 Pcs





Turn over the seat **B** and assemble the armrests **G-L**, **G-R** in their respective sides with screws **J** and washers **M**. Please note that the armrest side (left or right) goes by you sitting on the chair, not looking at it.



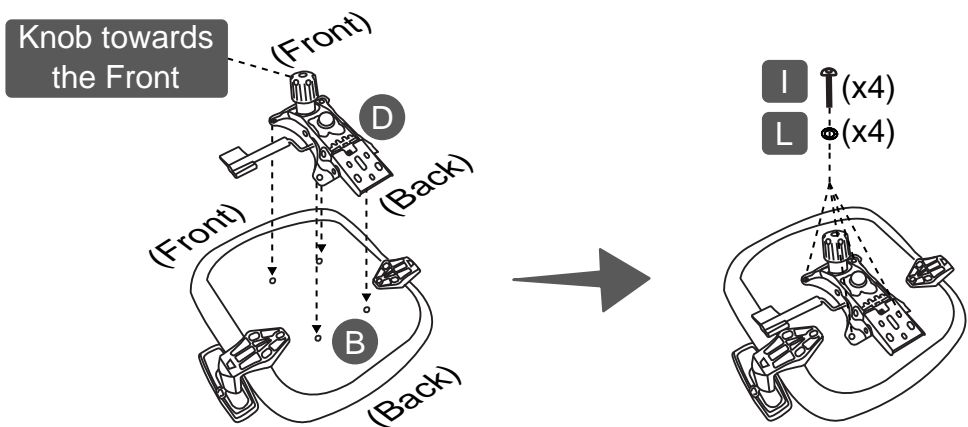
### STEP 2

#### Hardware

I		4 Pcs
L		4 Pcs





Place the mechanism **D** over the seat **B** making sure the tension knob faces towards the front, then secure it with screws **I** and washers **L**.



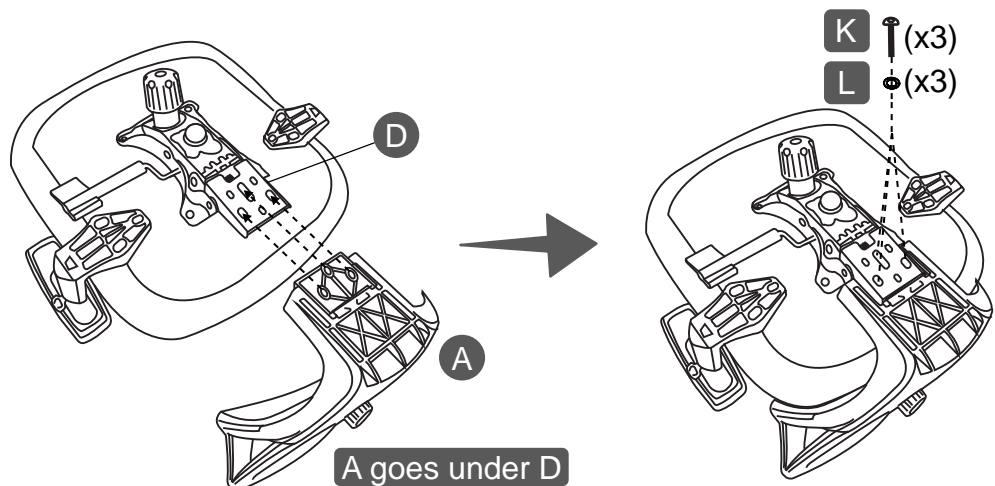
### STEP 3

#### Hardware

K		3 Pcs
L		3 Pcs

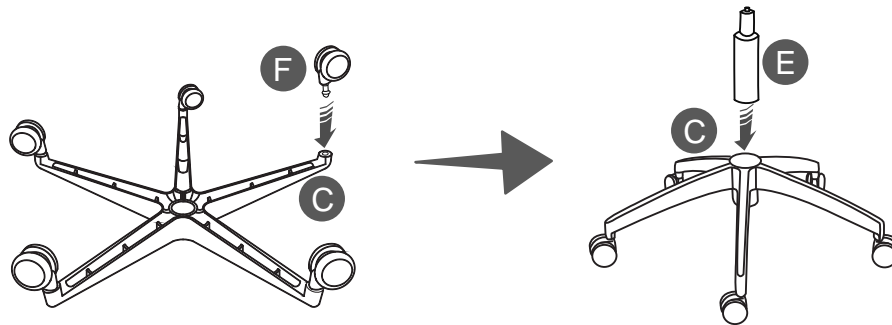


Attach the backrest **A** under the latch of the mechanism **D** with screws **K** and washers **L**. The screws go through **D** and into **A**.



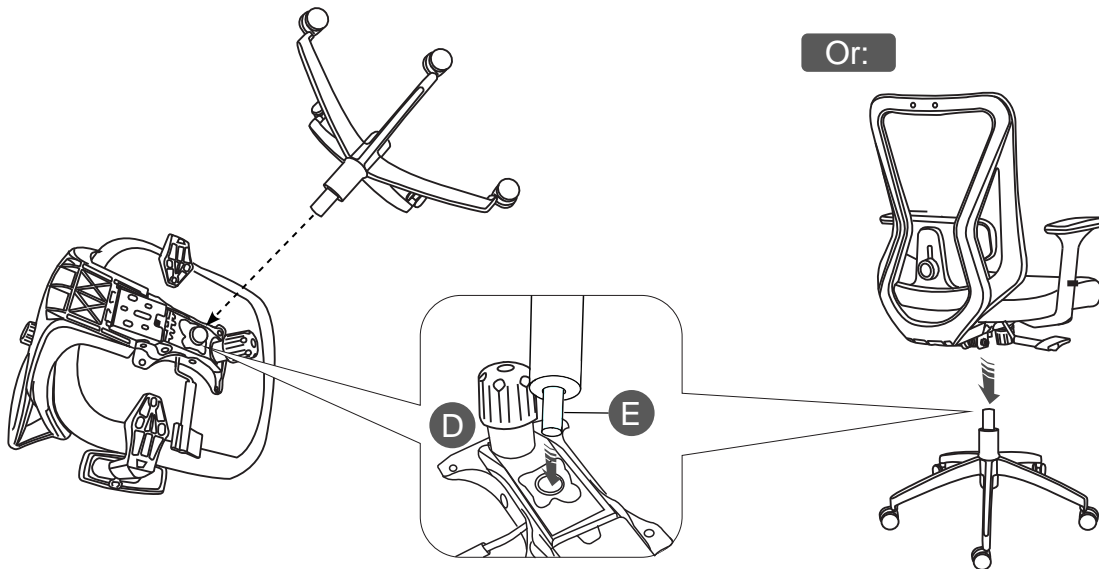
**STEP 4**

Insert the casters **F** into each leg of the base **C** using pressure, then place the lift cylinder **E** in the middle of the base.



**STEP 5**

Join the base parts to the seat making sure the tip of the lift **E** enters correctly into the hole of the mechanism **D**.

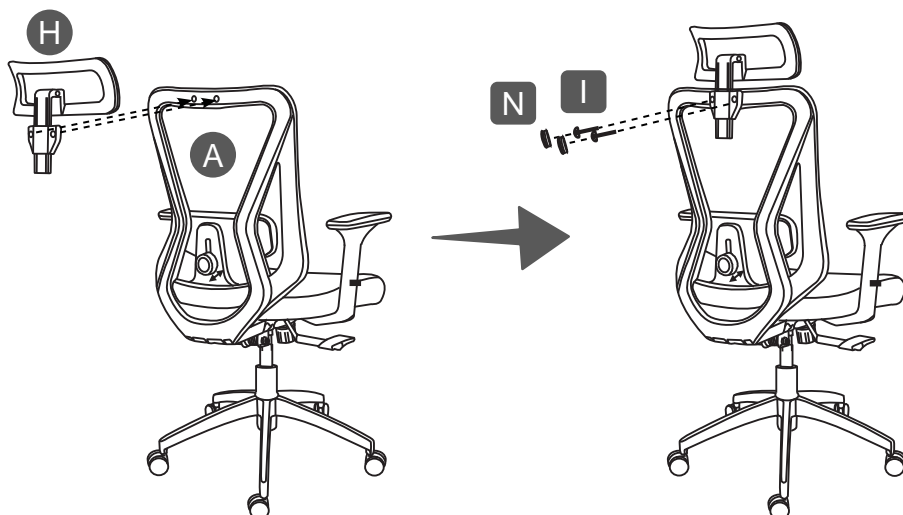


**STEP 6**

**Hardware**

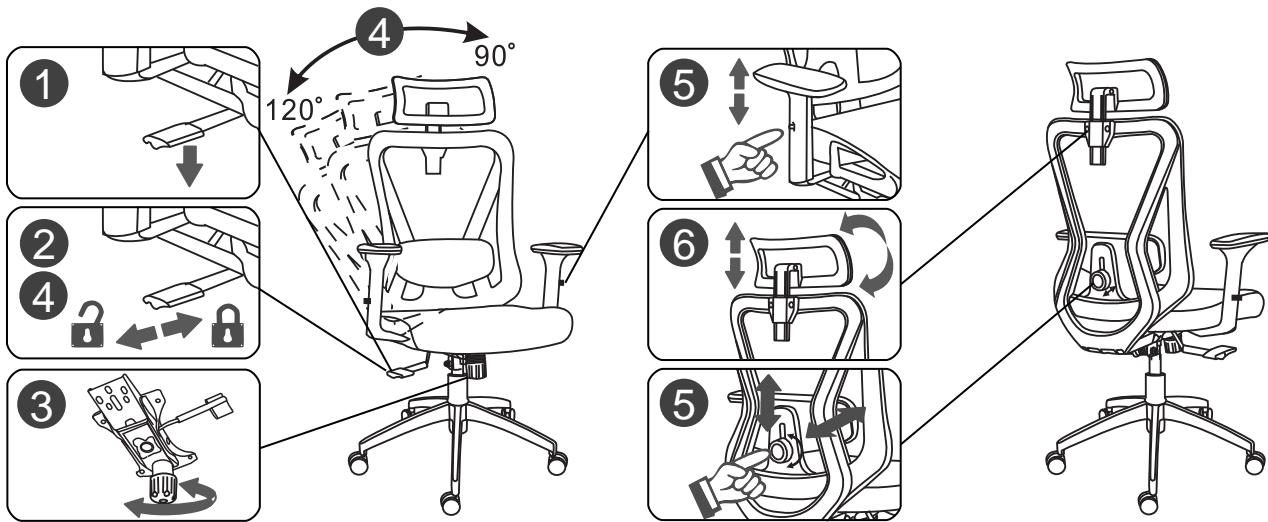
<b>I</b>	M6x20	2 Pcs
<b>N</b>	Cap	2 Pcs
<b>M6</b>		

Assemble the headrest **H** to the backrest **A** with screws **I**, then cover the holes with **N**.



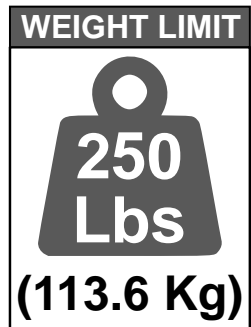
### CHAIR'S FUNCTIONS

- ① To raise or lower the chair's height, flip **DOWN** the handle on the lever that is under the seat on the right side. The chair goes down while sitting on it, or up if you lift your body.
- ② To make the backrest recline freely, pull **OUT** the same lever.
- ③ You can turn the tension knob at the front of the mechanism under the seat to make the reclining feel either easier or with more resistance according to your preference.
- ④ To lock the backrest in one of the preset angles, pull **OUT** the lever, recline and then push **IN** the lever. To return to the normal upright position, **UNLOCK** the lever, push back a little bit on the backrest, then pull yourself forward and lock the lever.
- ⑤ To adjust the armrest height, press the button that is on the outside of the armrest and release it once the desired height is reached.
- ⑥ For comfort, the headrest can be adjusted **UP** and **DOWN** or tilted forward/backwards.
- ⑦ You can adjust the height of the lumbar support by moving it **UP** or **DOWN**, and the depth is adjusted by turning the knob in either direction.



### WARNINGS

- Do not exceed the indicated weight limit.
- Do not use if parts are bent, damaged, or if screws are loose or missing.
- Only one person at a time can sit on the chair.
- Do not sit babies or toddlers alone.
- If children (3 years and older) are sitting on the chair, always keep close observation on them.
- Do not allow small children to play with the chair.
- Do not stand up on the chair or use it as ladder.
- Do not sit too close to the edge of the seat to avoid going beyond your balance point and falling off the chair, and always sit properly.
- Not paying attention to these warnings could result in injuries.



### CARE AND MAINTENANCE

- To clean the chair it is recommended to use a soft cloth lightly damped in a solution of smooth soap and water, then dry with a clean towel.
- Do not use solvents or abrasive materials to clean any part of the chair.
- Before using a cleaning agent, test on a small hidden area of the chair, like underneath the seat.
- Do not expose the product to direct sunlight or to extreme environmental conditions.
- Inspect the chair completely every 4 months and make sure that all screws are tightened.

**TECHNI MOBILI WARRANTY****TECHNI MOBILI CHAIR WARRANTY****EXECUTIVE/MANAGER CHAIR: 2-YEAR WARRANTY**

RTA Products, LLC has warranted the Techni Mobili office chairs to the original purchaser who acquired a new product from RTA Products or its authorized resellers of the product against defects in material or workmanship.

This warranty is expressly limited to the repair or replacement (at its option) of defective chair components or materials that fails under normal use as a result of a defect in materials or workmanship. This warranty is limited to merchandise purchased in the Continental United States, excludes AK, HI and PR. No assembly labor is included. The word "defects" as used in this warranty, is defined as imperfections that impair the utility of the product.

This warranty applies under conditions of normal use, but does not apply to defects that result from intentional damage, negligence, unreasonable use or exposure.

Liability for consequential damages is excluded to the extent exclusion is permitted by law. This warranty gives you specific legal rights, and you may have other rights that vary from State to State.

RTA Products does not warrant: a) natural variations in character marks b) changes in surface finishes due to aging or exposure to light c) marks, scars, or wrinkles occurring naturally in leather d) failure resulting from normal wear and tear e) the matching of colors, grains, or textures of natural materials f) the colorfastness or the matching of textiles, including an exact match to cuttings or to swatch cards g) damage, marking, or staining of veneer surfaces due to contact with rubber or similar compounds, damage from sharp objects or imprinting from writing instruments, or prolonged exposure to direct sunlight h) we do not warrant products that are exposed to extreme environmental conditions or that have been subject to improper storage.

RTA Products shall not be liable for loss of time, inconvenience, commercial loss, or incidental or consequential damages.

Any modification to the original product voids the warranty. We do not warrant the performance of the product when used in combination with other than original products.

This product has been designed for and is intended for office and home-office use only. This warranty is Original Purchaser's sole remedy for product defects, and this warranty does not extend to any product, or damage to any product, caused by or attributed to abuse or misuse, products used for commercial or rental purposes, use modifications of, or attachments to the product, and products or parts not used, maintained, or extended hereunder is in lieu of any and all other warranties, express or implied, including without limitations any implied warranty or merchantability or of fitness for a particular purpose.

To file a Claim within the 48 contiguous United States: Email us to [warranty@rtaproducts.com](mailto:warranty@rtaproducts.com) to explain the defect and provide your name, address, phone number, model number of our product, date and place, and proof of purchase. Please provide pictures of the damage or defect.

If we determine that a replacement will remedy the situation, and in order to determine the extent or the cause of the defect, purchaser may be requested to send the part in question at purchaser's expense. Once we receive the part, we will examine it and determine whether the claim is valid (or not), and then proceed to send the replacement. We will ship the replacement at our expense.

Replacement Parts for International Customers & AK-HI-PR orders: RTA Products will replace the part free of charge, while the customer is responsible for shipping costs plus any International local taxes or duties.