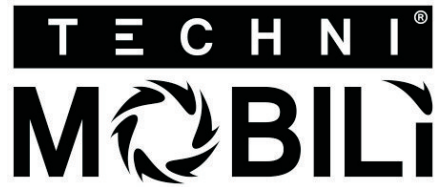


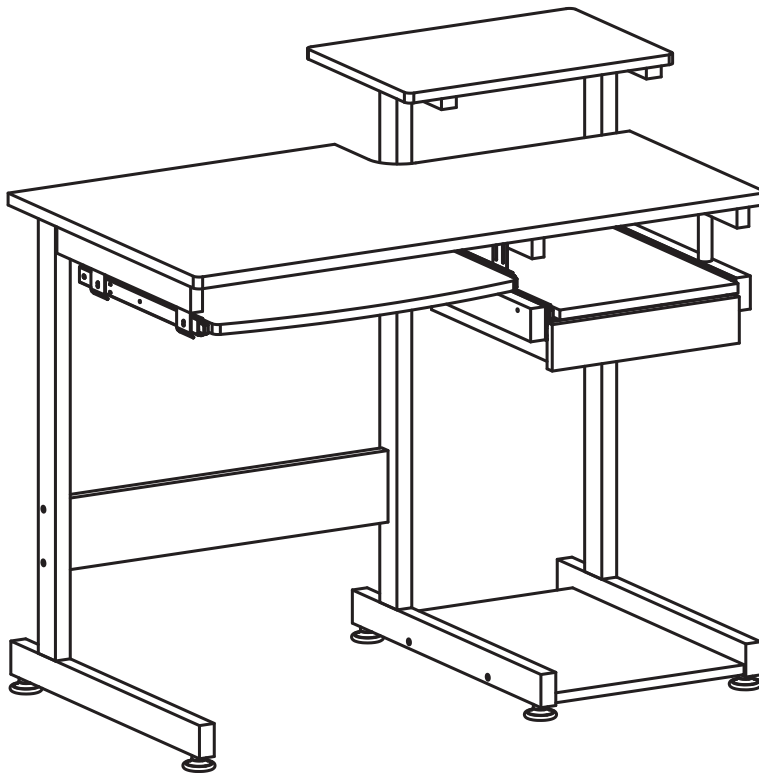
ASSEMBLY INSTRUCTIONS



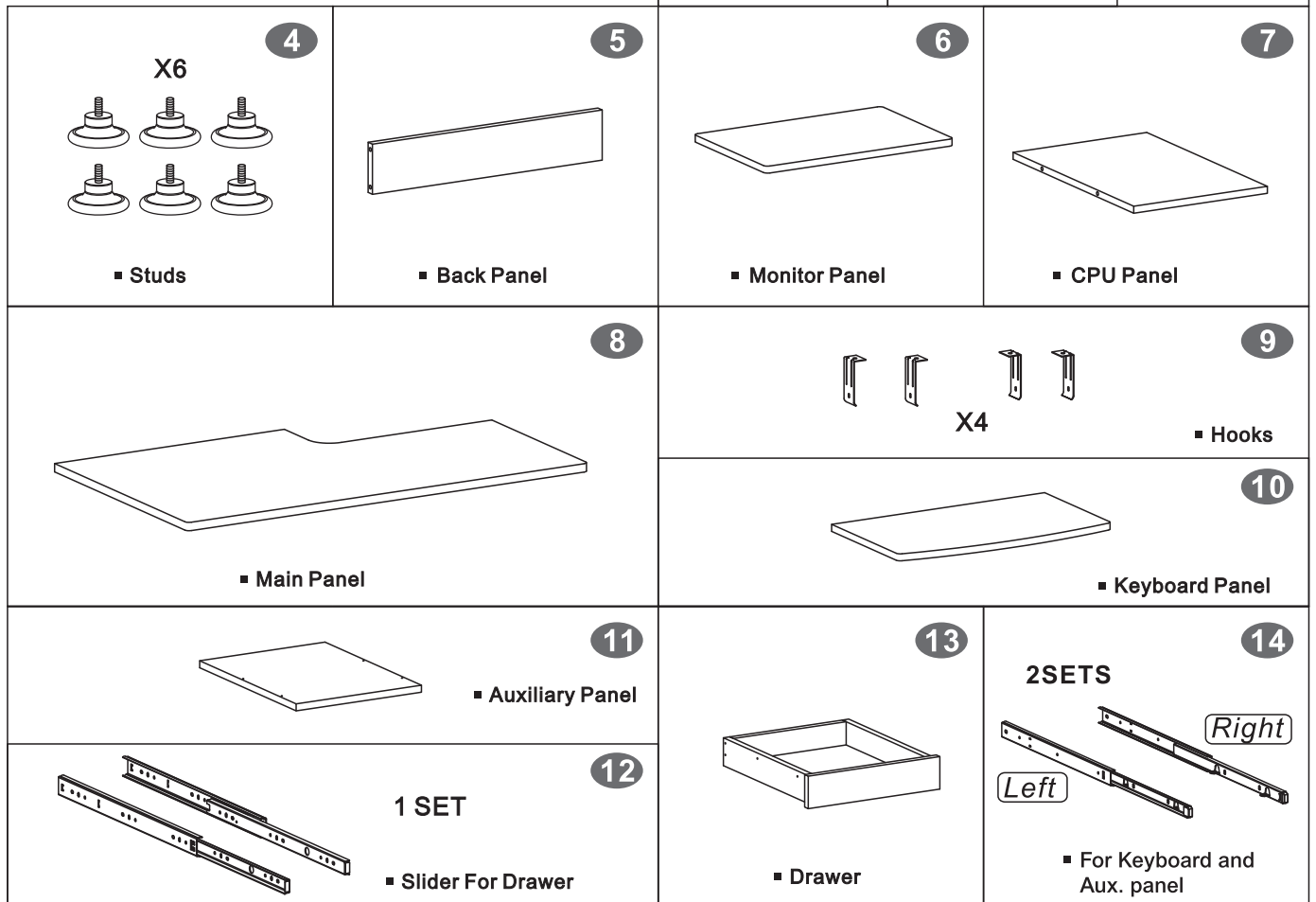
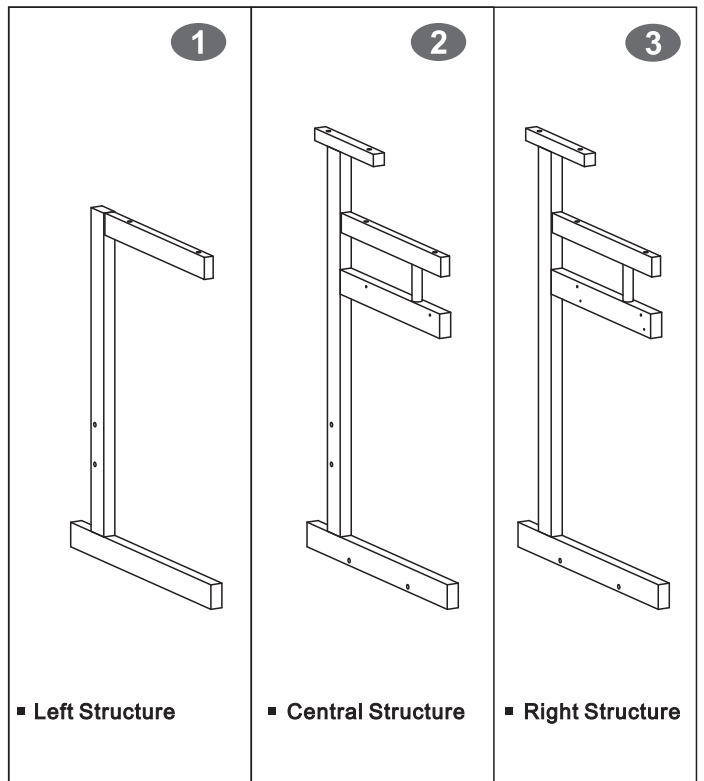
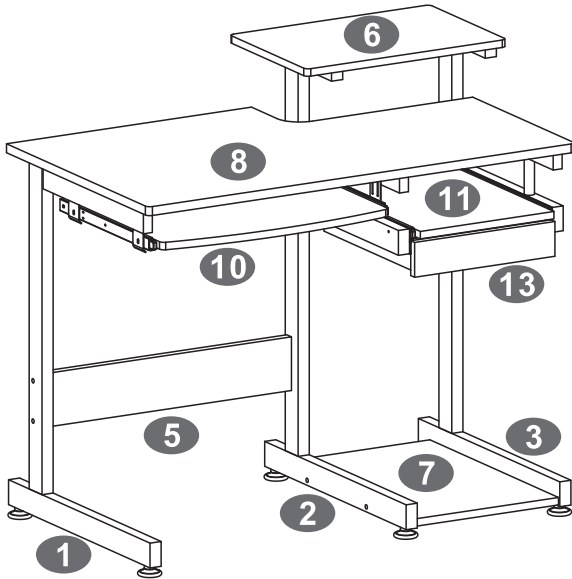
MODEL RTA - 2706A

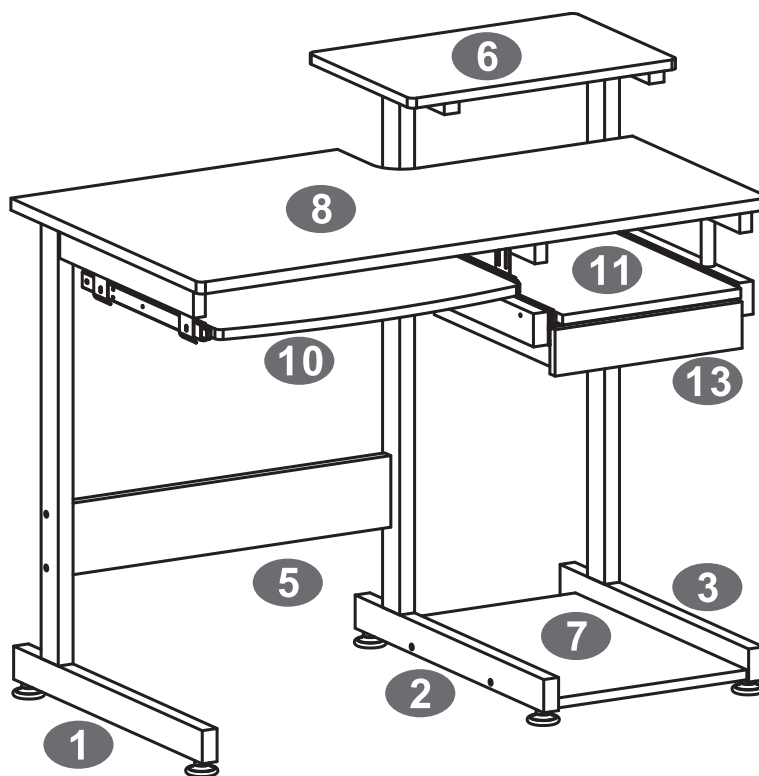
➔ Assembly video also available online at technimobili.com

Thank you for purchasing one of our products.
Please read carefully the assembly instructions before the installation.
Do not discard this manual or any of the packaging material until the
unit has been completely assembled.

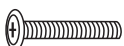
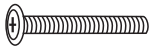


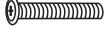






▪PARTS LIST





▪ SCREWS

PART	QTY.	ITEM	
A	4	6X35 MM	
B	14	6X50 MM	
C	8	4X14 MM	
D	4	4X4 MM	
E	4	4X28 MM	

PART	QTY.	ITEM	
F	4	3X15 MM	
G	4	6X12 MM	
H	4	4X8 MM	
	1		

BEFORE YOU START THE ASSEMBLY, PLEASE READ THE FOLLOWING TIPS AND WARNINGS.

- Do a quick inventory to make sure the product contains all the parts and hardware.
- Missing, damaged and defective parts can be replaced at no cost to you. Please refer to the CONTACT card included with the product.
- The replacement parts service is limited to the continental United States. If you reside in Hawaii, Puerto Rico, U.S. Dependencies or other countries, please contact the supplier from where the unit was purchased.
- If during assembly you find an issue or need clarification, please contact our Customer Service for assistance. Please refer to the CONTACT card included with the product.
- On each step read the instructions and analyze the illustrations thoroughly before proceeding to do the assembly.
- Make sure you understand which hardware will be used on each step. Using the wrong size of screw, bolt or pin might strip the threads or cause damage to the part in which it is being used.
- To avoid misalignments, always leave the screws loose and tighten them until all pieces are positioned correctly.
- Do not overtighten or force the screws as they might break, strip, damage the threads of the holes or get stuck inside the part.
- Sometimes the laminate might cover partially or entirely the hole on a panel, but the hole should still be located under the laminate.
- If there is no visible hole for the screw, pass and press the tip of your finger over the area where the hole should be located to feel the indentation, and once found, carefully pierce the laminate to reveal the hole underneath.
- If the hole seems too small for the screw, first make sure you are using the correct size of screw and that it's been installed in the correct hole. If the hole still appears to be too small, carefully pierce the laminate to reveal the hole's actual size.

☛ This unit uses cam bolts and locks. The following explains how to use them.

This is not an assembly step; it is a guide for when you are actually doing the assembly using this kind of hardware.

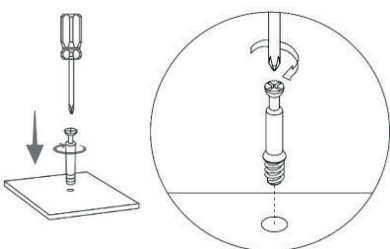
Cam Bolt



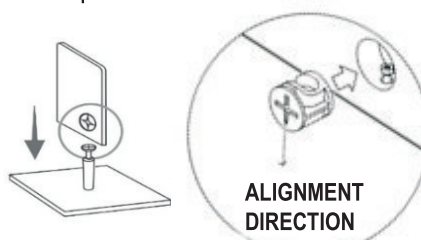
Cam Lock



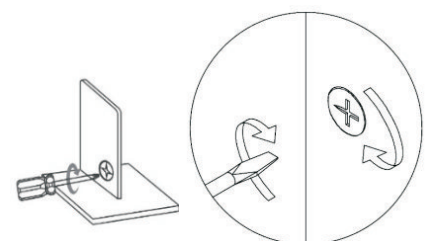
1. Screw the bolt into the corresponding panel.



2. In the other panel, insert the cam lock and align it so it can properly receive the bolt, then join both panels (the cam locks might come pre-installed in this unit).

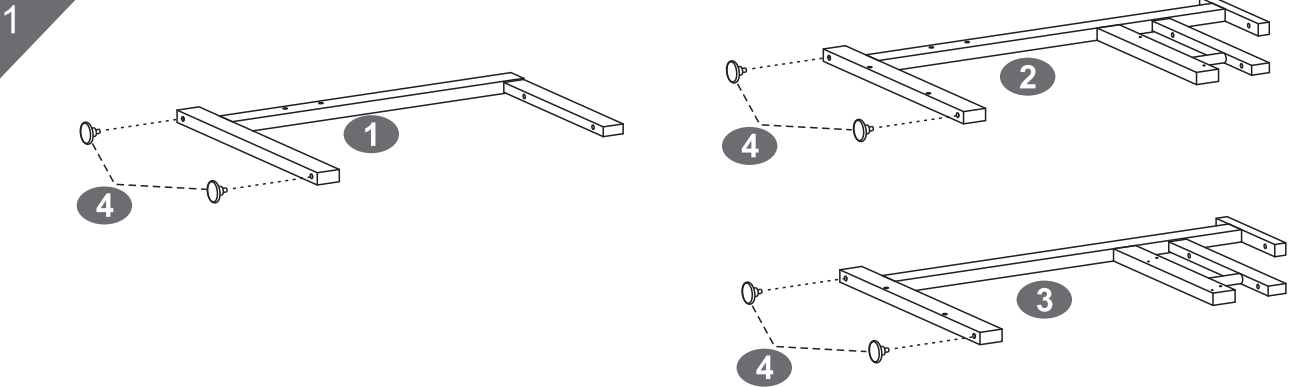


3. The panels might have a very small gap which is normal; turn the cam lock clockwise to lock the parts together and the gap will also close.



ATTENTION: THIS UNIT ASSEMBLES ONLY AS SHOWN IN THE ILLUSTRATION, WITH THE KEYBOARD TRAY ON THE LEFT AND THE DRAWER ON THE RIGHT. SWITCHING IS NOT POSSIBLE.

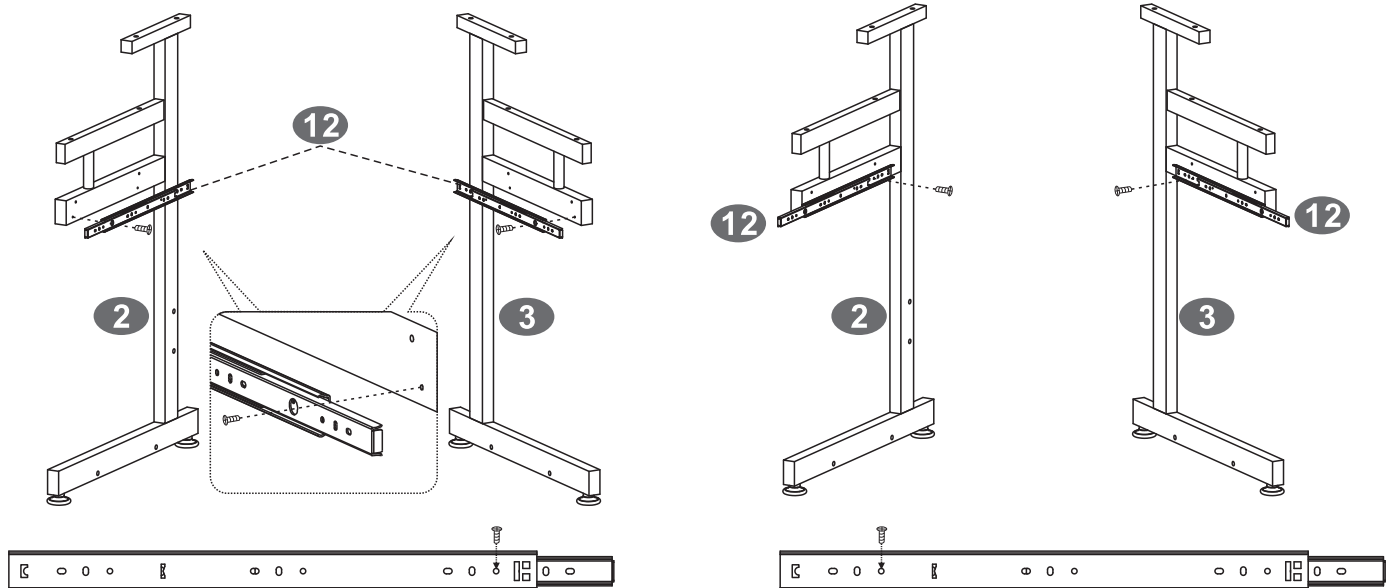
▪ **STEPS**



▪ Insert the Studs (4) at the bottom of the Left, Central & Right Structures (1,2&3).

2

ATTENTION: Make sure to use the correct sliders in this step, they do not have tabs.



▪ Use Screws H to assemble the Drawer Sliders (12) to Central & Right Structure (2&3).

▪ **SCREWS**

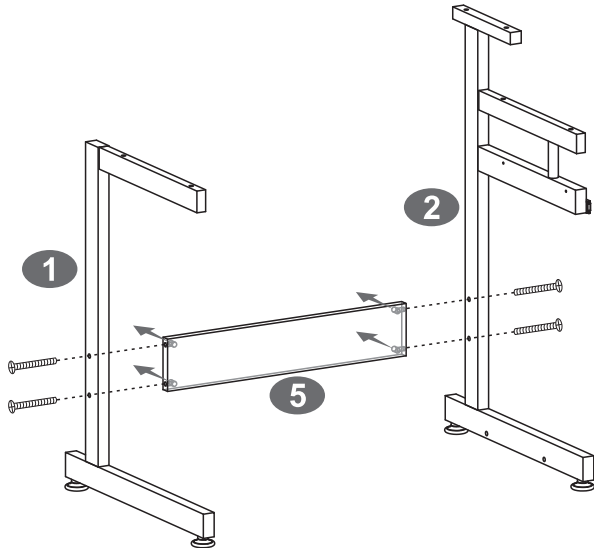
H 4X8 MM

4PCS

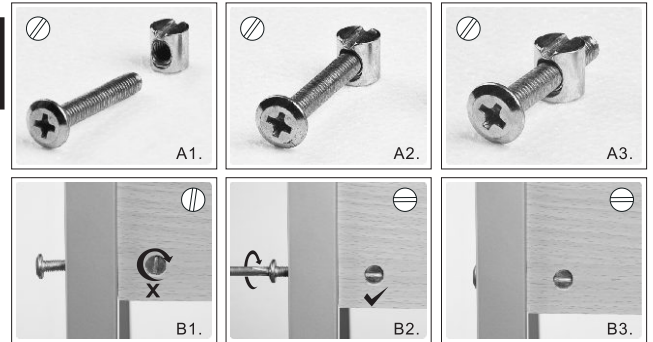


3

ATTENTION: Make sure the structures are placed in the correct position with (1) on left and (2) on right.



Before doing this step, make sure that all the nuts in the panel are properly aligned to receive the screws!



- SCREWS

B 6X50 MM

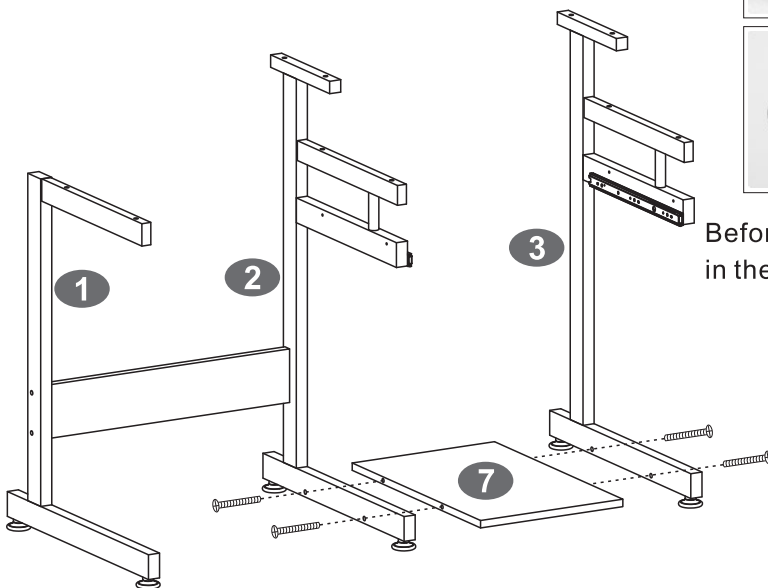
4PCS



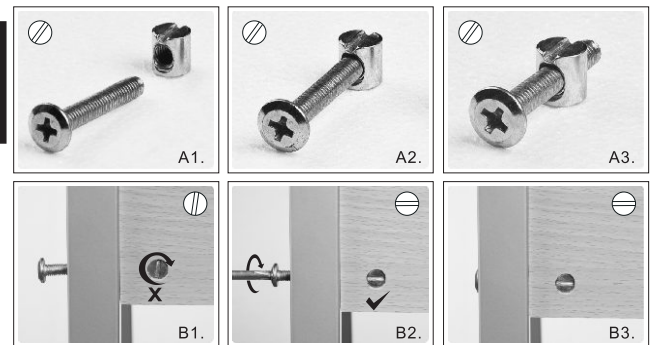
▪ Use screws B to assemble the Back Panel (5) between the Left & Central Structures (1 & 2).

4

ATTENTION: Make sure the structures have been placed in the correct position with (1) on left, (2) at center and (3) on right.



Before doing this step, make sure that all the nuts in the panel are properly aligned to receive the screws!



- SCREWS

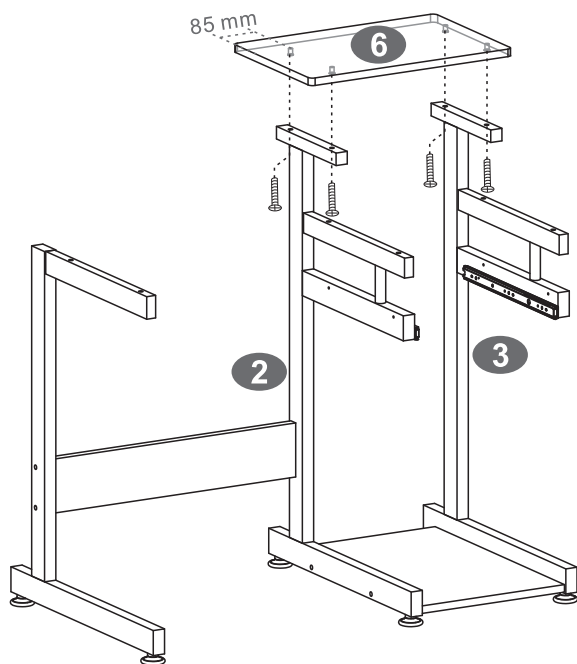
B 6X50 MM

4PCS



▪ Use screws B to assemble the CPU Panel (7) between the Central and Right Structure (2&3).

5



Please note the correct orientation of the panel.

▪ SCREWS

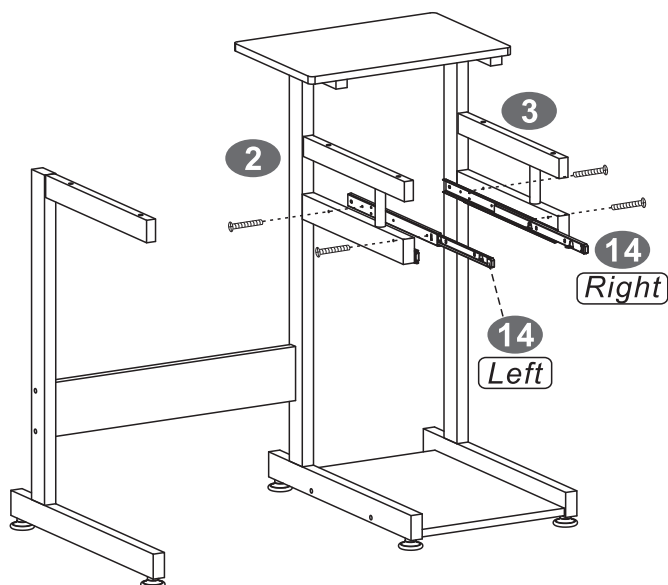
A 6X35 MM

4PCS

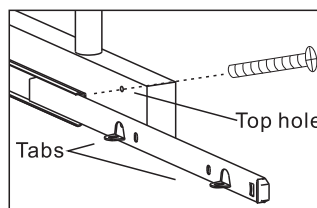


▪ Use screws A to fix the Monitor Panel (6) to Central & Right Structure (2&3).

6



ATTENTION: Make sure to install with the tabs facing down.



▪ SCREWS

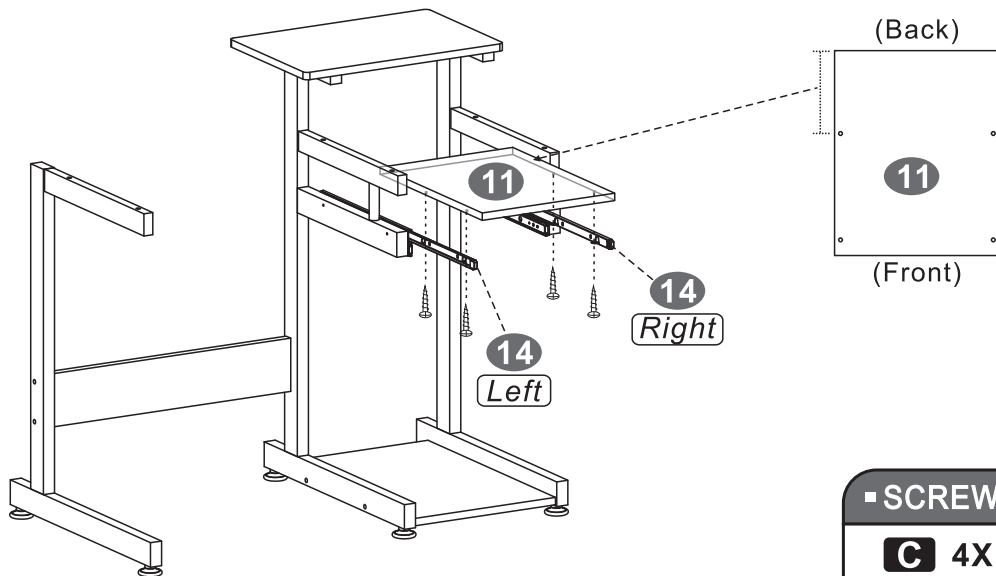
E 4X28 MM

4PCS



▪ Use screws E to assemble one pair of Sliders (14) to the Central & Right Structures (2&3) noting that they must slide-out to the front of the desk. You will find four holes in the metal structures, use the top two.

7



▪ SCREWS

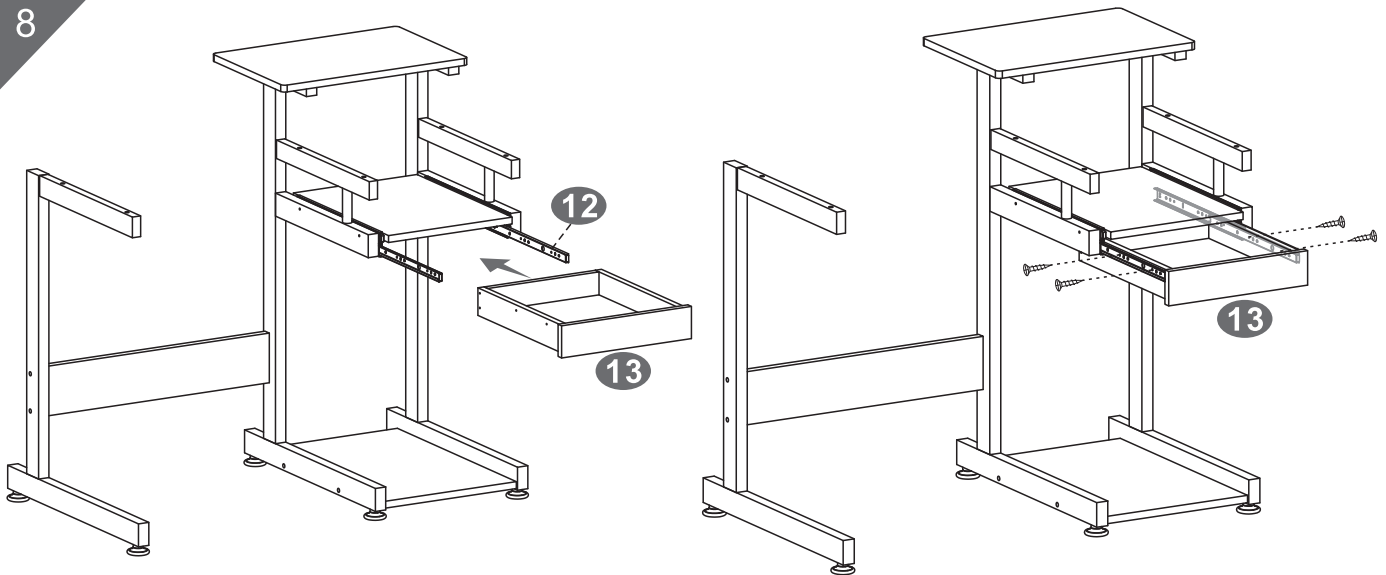
C 4X14 MM

4PCS



▪ Use screws C to fix the back face of the Auxiliary Panel (11) to the Sliders (14).

8



▪ SCREWS

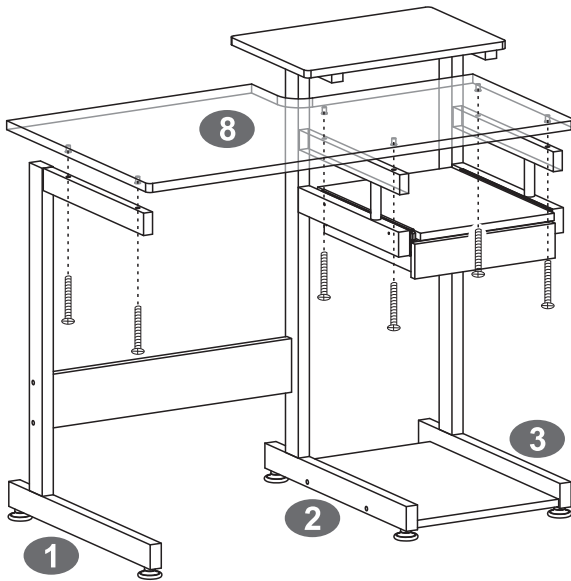
F 3X15 MM

4PCS



▪ Use screws F to assemble the Drawer (13) to the moving part of the Sliders (12).

9



ATTENTION: This item assembles only as shown, so if the Main Panel does not fit, review the steps 3, 4 and 5 for the correct position of the structures.

▪ SCREWS

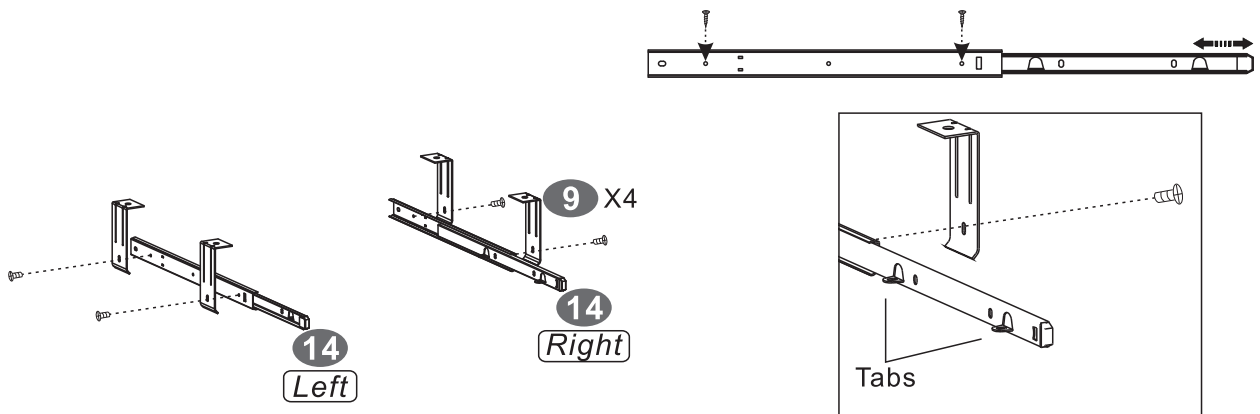
B 6X50 MM

6PCS



- Carefully place the Main Panel (8) over the structures (1, 2 & 3) making sure the holes coincide. Then, and from underneath, insert the screws B thru the structures and into the panel but leave them loose to allow flexibility, and tighten them only after all 6 screws are in position.

10



▪ SCREWS

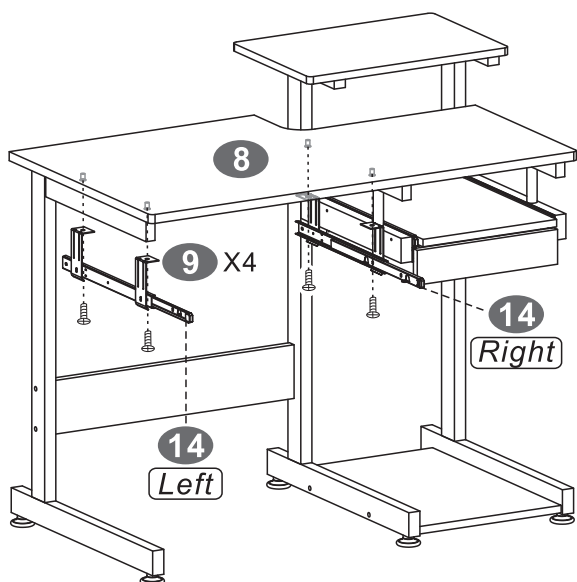
D 4X4 MM

4PCS



- Use screws D to fix the Hooks (9) to the other pair of Sliders (14).

11



- Use screws G to fix the Hooks (9) to the underside of the Main Panel (8).

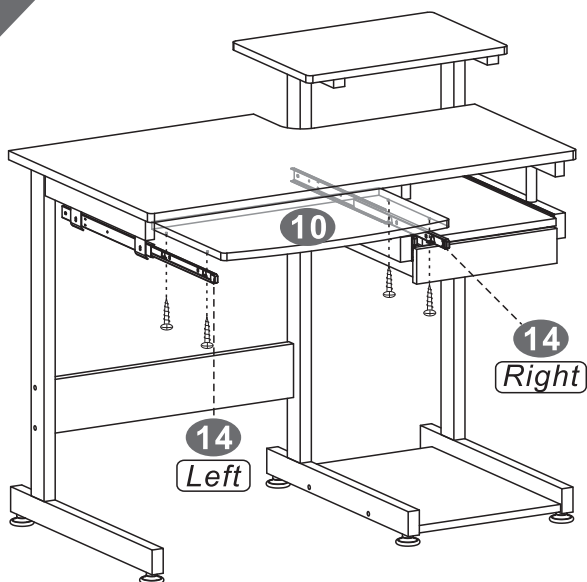
▪ SCREWS

G 6X12 MM

 4PCS



12



- Use screws C to assemble the back face of the Keyboard Panel (10) to the Sliders (14).

DONE! Before you start using the unit, make sure that all the screws, bolts, cam locks, etc. are properly tightened, and read all the warnings in the next page.

▪ SCREWS

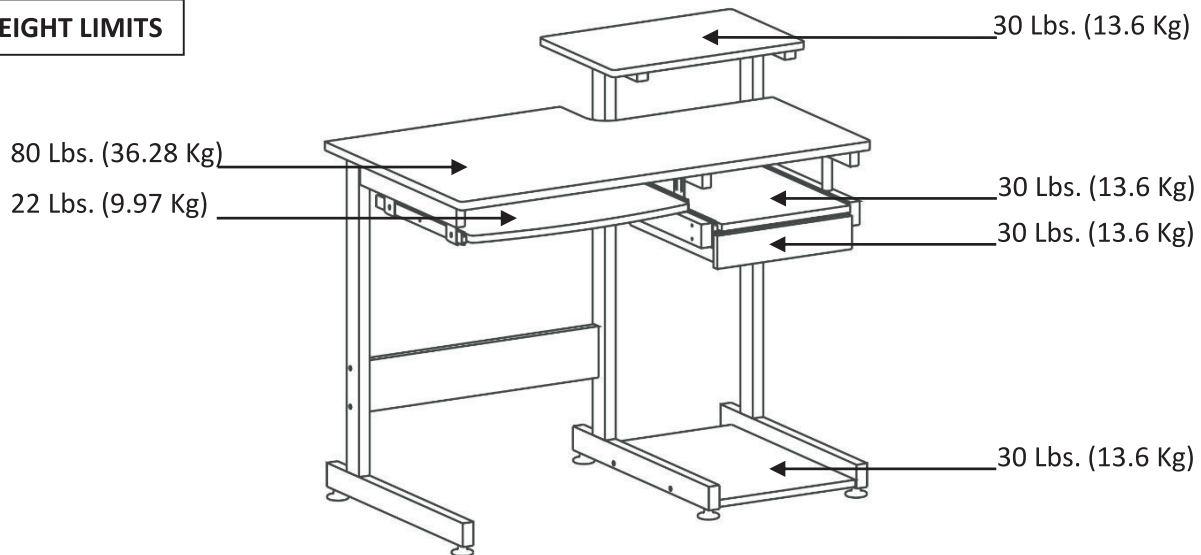
C 4X14 MM

 4PCS



AFTER THE ASSEMBLY IS DONE, PLEASE READ CAREFULLY THE FOLLOWING CARE AND MAINTENANCE WARNINGS:

WEIGHT LIMITS



- Do not exceed the indicated weight limits.
- Do not expose the surfaces to direct sunlight or to extreme environmental conditions.
- Clean the surfaces preferable with a clean cloth damped in a solution of mild soap and water, then dry with a clean towel.
- Do not use solvents or abrasive materials to clean the unit.
- If you decide to use a cleaning agent, test first on an area hidden from view such as underneath the tabletop.
- Do not seat on the unit or lean against it.
- Do not allow small children to climb over the unit or play underneath.
- Do not allow small children to reach inside the drawer or any of the moving panels without your supervision.
- The unit must be handled by at least 2 persons when moving in the same or adjacent rooms.
- Before moving the unit, make sure to remove any object that is heavy or might fall off, and try to handle it from their structures. Lifting from the tabletop alone might put too much stress on the screws which can lead to part damage/separation.
- When lifting the unit, use both hands and bend your knees, not your backs.
- When transporting the unit to places far away, protect and secure the unit to avoid damage in transit.
- Shall any part of the unit become defective during the warranty period, replacement parts might be available to you at no charge. Please refer to the WARRANTY card included with the product.
- The warranty does not extend to regular wear and tear, nor the manufacturer assumes liability for damages or consequences due to accidents, incorrect assembly, negligence, improper use, modifications, or not heeding the above warnings.
- The warranty is limited to the continental United States. If you reside in Hawaii, Puerto Rico, U.S. Dependencies or other countries, please contact the supplier from where the unit was purchased.