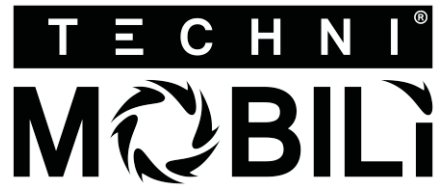


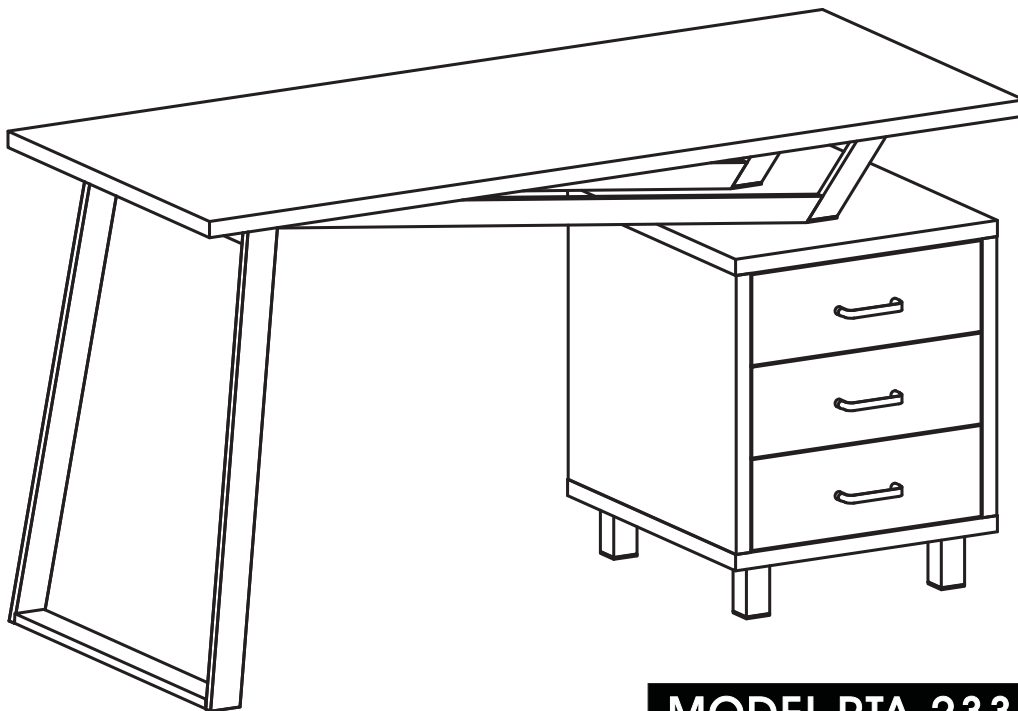
English

# ASSEMBLY INSTRUCTIONS



MODEL RTA - 2333

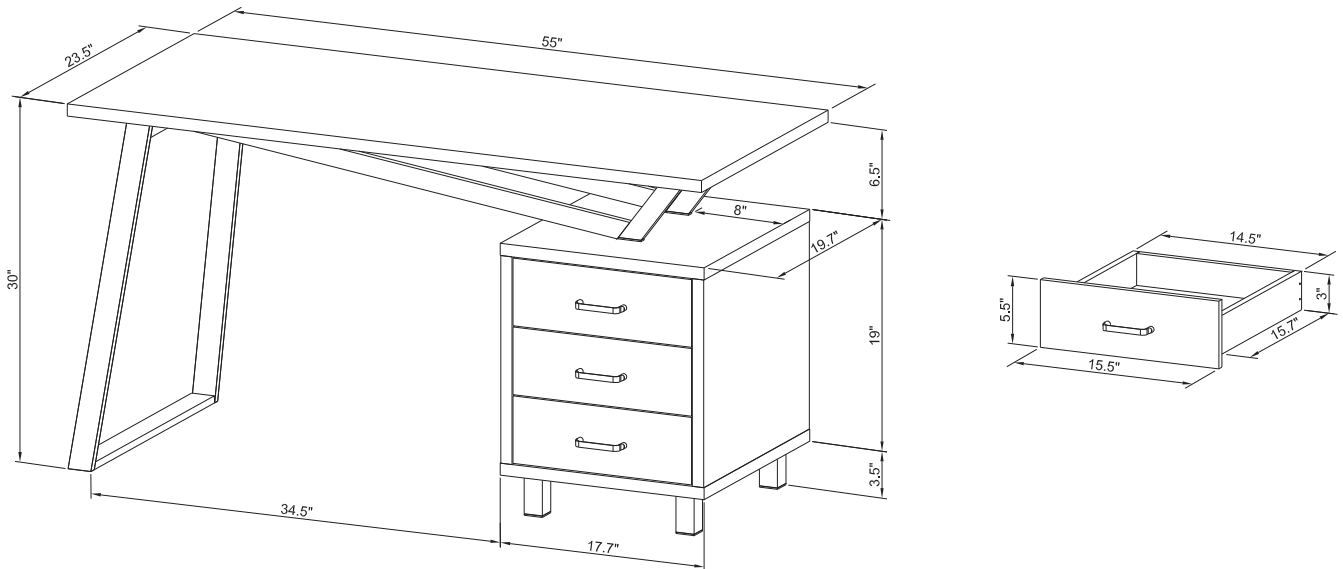
Thanks for purchasing one of our products.  
Please read carefully the assembly instructions before the installation.  
Please save this manual for future reference.



**MODEL RTA-2333**

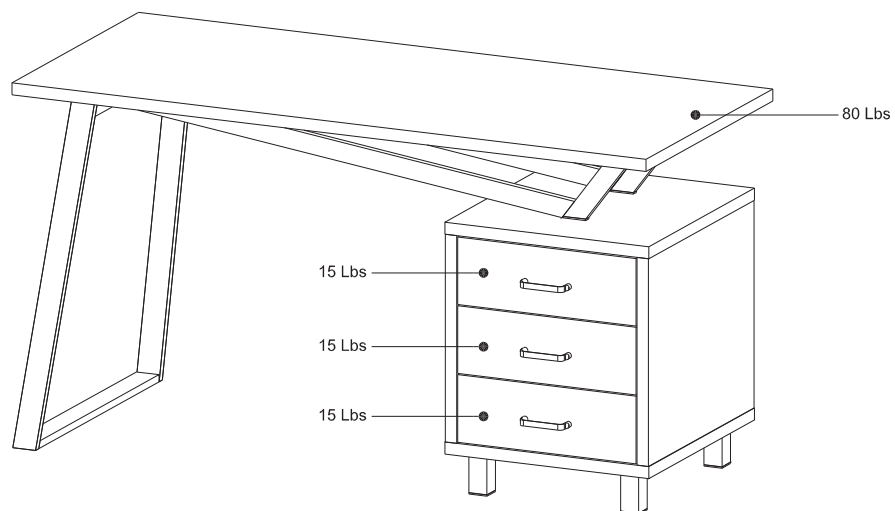
# RTA-2333

## DIMENSIONS



Product Size: 55"W x 23.5"D x 30"H

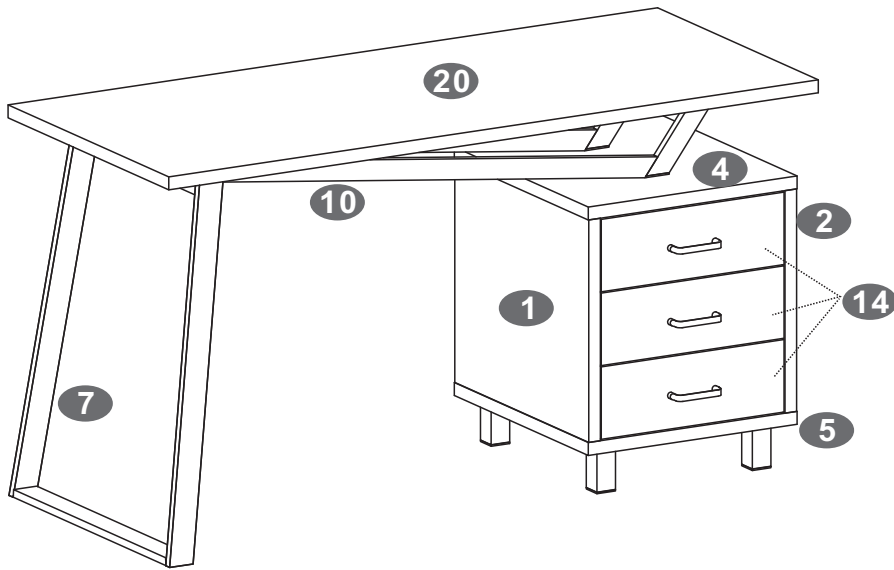
## MAXIMUM WEIGHT CAPACITIES

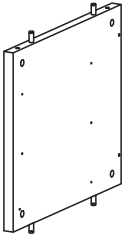
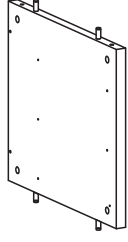
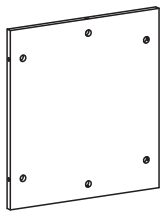
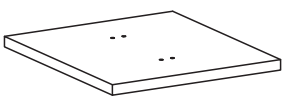
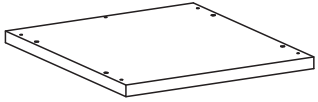
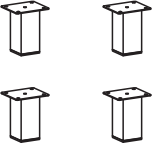

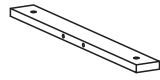




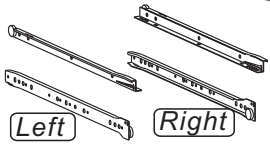


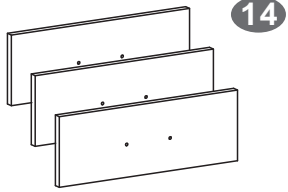
**DO NOT** exceed this limit  
Please use care and good judgement  
when placing objects on wood surface



▪ PARTS LIST



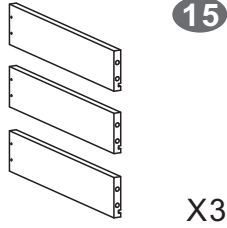
 <p>1</p> <p>▪ Left Panel</p>	 <p>2</p> <p>▪ Right Panel</p>	 <p>3</p> <p>▪ Back Panel</p>	 <p>4</p> <p>▪ Top Panel</p>
 <p>5</p> <p>▪ Bottom Panel</p>	 <p>6</p> <p>▪ Support Tubes X4</p>	 <p>7</p> <p>▪ Main Structure</p>	 <p>8</p> <p>▪ Short Tube</p>
 <p>9</p> <p>▪ Long Tube</p>		 <p>10</p> <p>▪ Front Tube</p>	
 <p>11</p> <p>▪ Back Tube</p>		 <p>12</p> <p>▪ Studs X2</p>	 <p>13</p> <p>Left Right ▪ Slider X3 sets</p>



14

X3

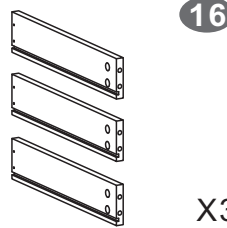
▪ Drawer Front Panel



15

X3

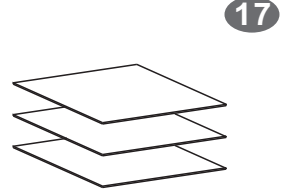
▪ Drawer Left Panel



16

X3

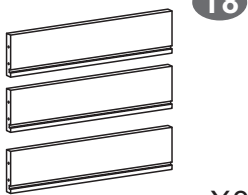
▪ Drawer Right Panel



17

X3

▪ Drawer Bottom Panel



18

X3

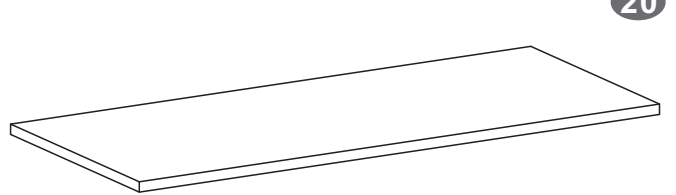
▪ Drawer Back Panel



19

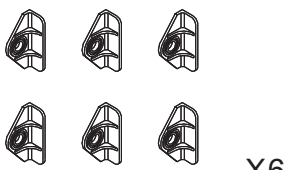
X3

▪ Handle



20

▪ Table Top

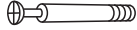
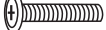
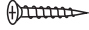
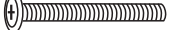
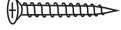





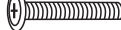


21

X6

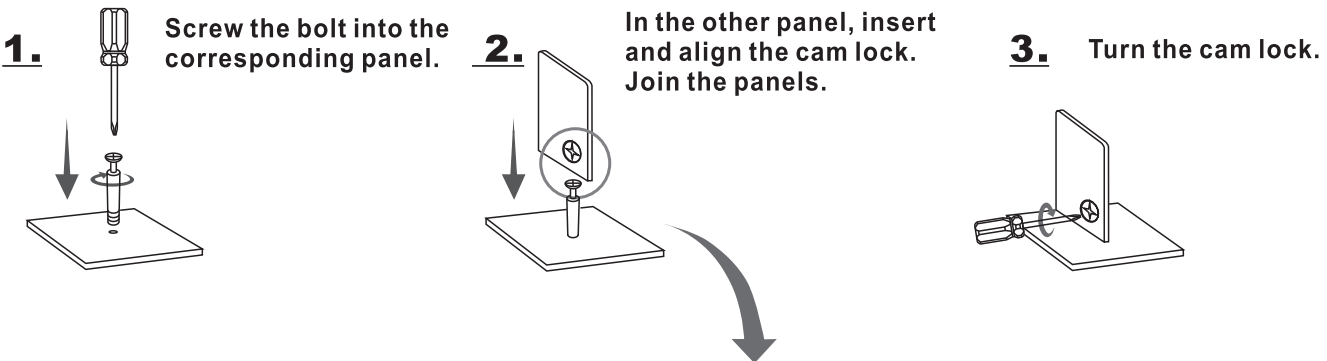
▪ Drawer Connect

▪SCREWS LIST

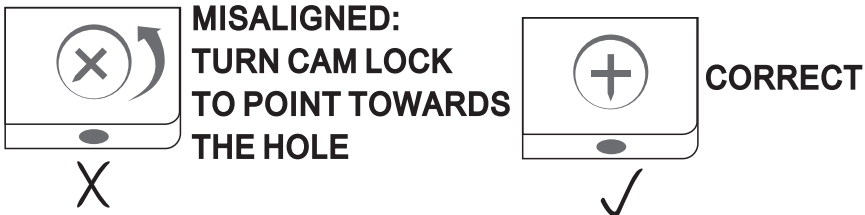
PART	QTY.	ITEM		PART	QTY.	ITEM	
<b>A</b>	14	6X40 MM		<b>H</b>	2	6X25 MM	
<b>B</b>	36	3X15 MM		<b>I</b>	2	6X60 MM	
<b>C</b>	12	4X35 MM		<b>J</b>	4	Φ 16 MM	
<b>D</b>	6	4X20 MM			1		
<b>E</b>	16	4X14 MM					
<b>F</b>	18	6X15 MM					
<b>G</b>	4	6X35 MM					

HOW TO ASSEMBLE USING BOLTS AND CAM LOCKS:

 ▪ Cam bolt     ▪ Cam lock



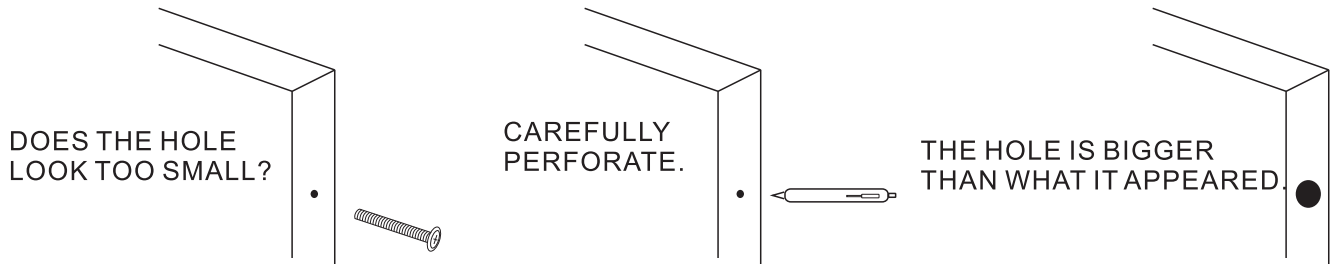
If the panel already comes with the cam lock inserted, make sure is aligned:



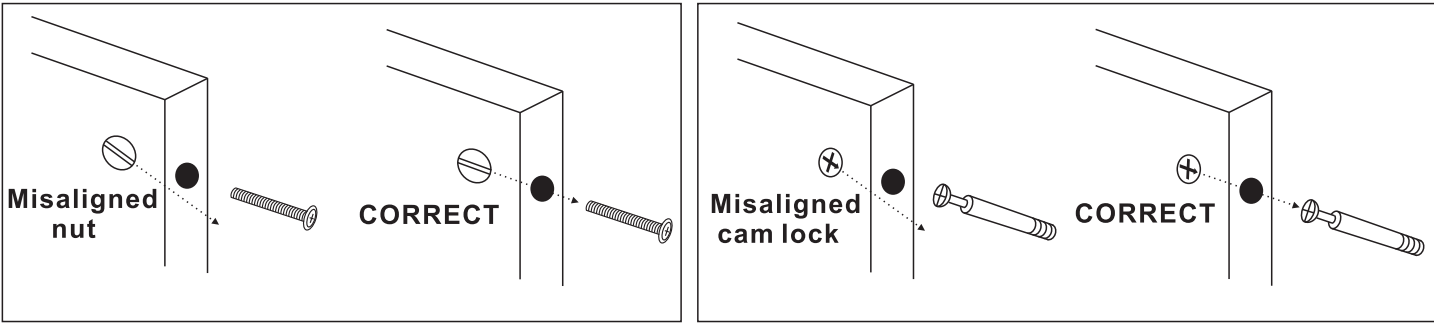


**GENERAL ASSEMBLY TIPS AND TROUBLESHOOTING DURING ASSEMBLY:**

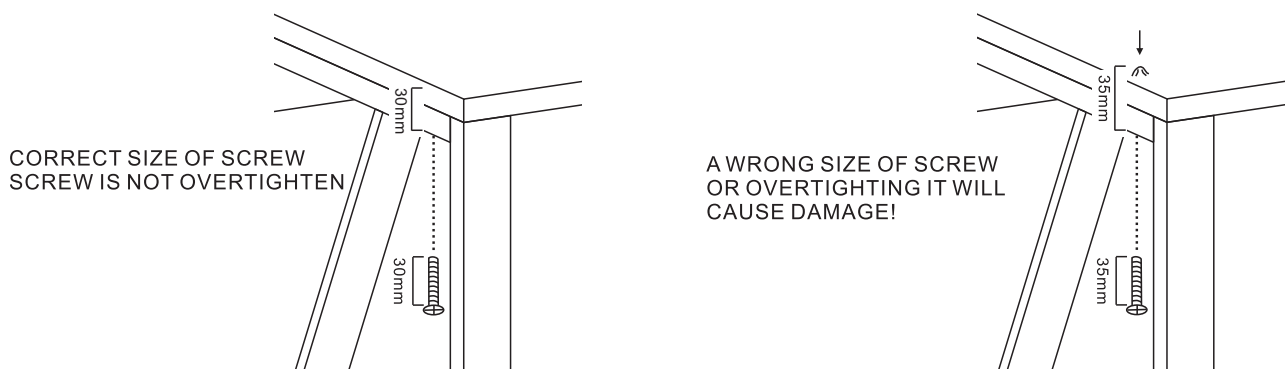
- \*Before you start assembling, make sure you have all the parts and necessary hardware by doing a quick inventory.**
- \*Follow the assembly instructions step by step, and do not skip any unless advised to do so by RTA PRODUCTS' Customer Service.**
- \*On each step, and to avoid misalignments, always leave screws loose, and do not tighten them until all are in place.**
- \*In wood panels, the laminate might be covering the holes.**  
**If there are no visible holes: Pass the tip of your finger around the area where the hole should be, and press against the surface to feel the indentation.**  
**If the hole looks too small for the screw or bolt: carefully perforate the laminate with the tip of a pen.**



- \*In wood panels, some might have inserts that look like screws. Those inserts are either nuts or cam locks. Make sure they are aligned to receive the screws or bolts.**

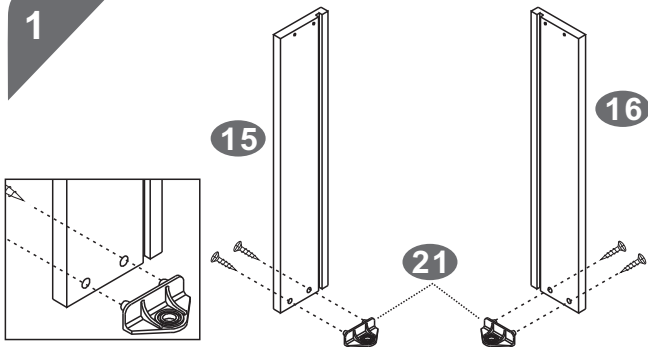


- \*Make sure to use the correct screws or bolts, and do not overtighten them.**  
**Using wrong screws or overtightening them might cause damage to the parts, and such damage is not covered by the product's warranty.**



## ASSEMBLY STEPS:

1



Use screws B to assemble the Drawer Connects (21) to the Drawer Left and Right Panels (15 & 16).

### SCREWS

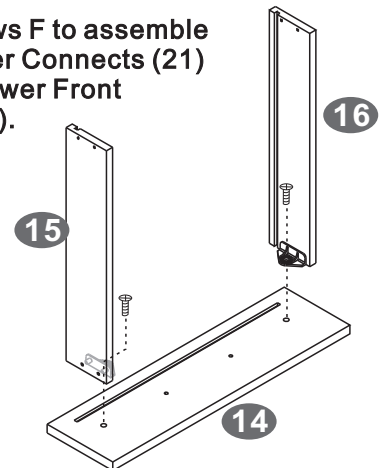
**B** 3X15 MM

4PCS



2

Use screws F to assemble the Drawer Connects (21) to the Drawer Front Panel (14).



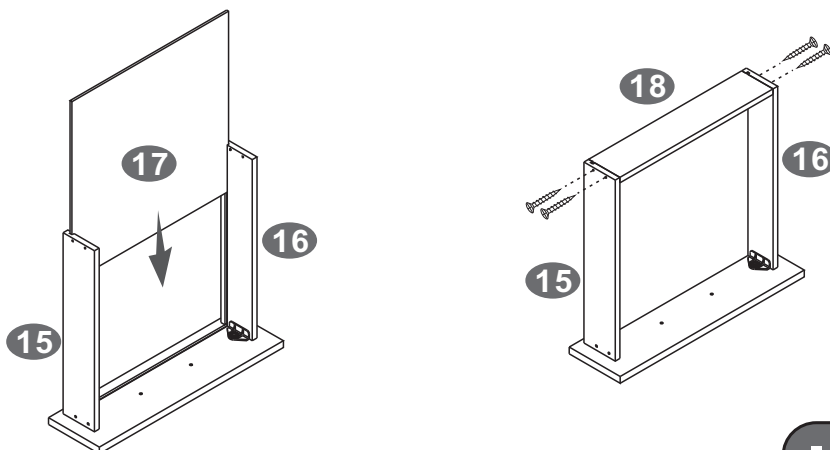
### SCREWS

**F** 6X15 MM

2PCS



3



Slide in the Drawer Bottom Panel (17).  
Use screws C to assemble the Drawer Back Panels (18) to the Drawer Left and Right Panels (15 & 16).

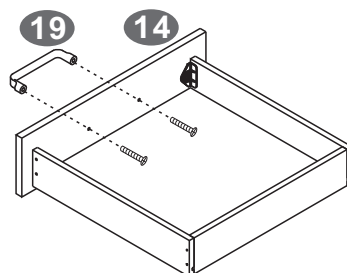
### SCREWS

**C** 4X35 MM

4PCS



4



Use screws D to assemble the Handle (19) to the Drawer Front Panel (14).

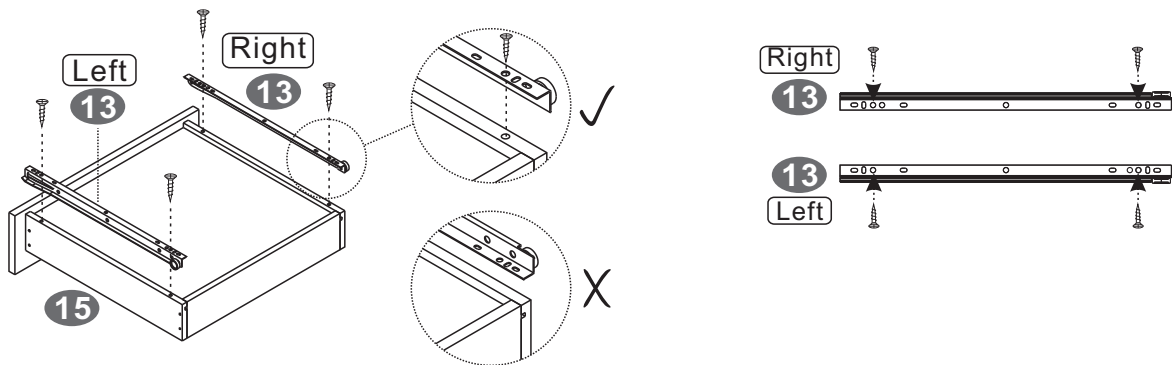
### SCREWS

**D** 4X20 MM

2PCS



5



REPEAT STEP 1 TO 5 FOR THE OTHER TWO DRAWERS

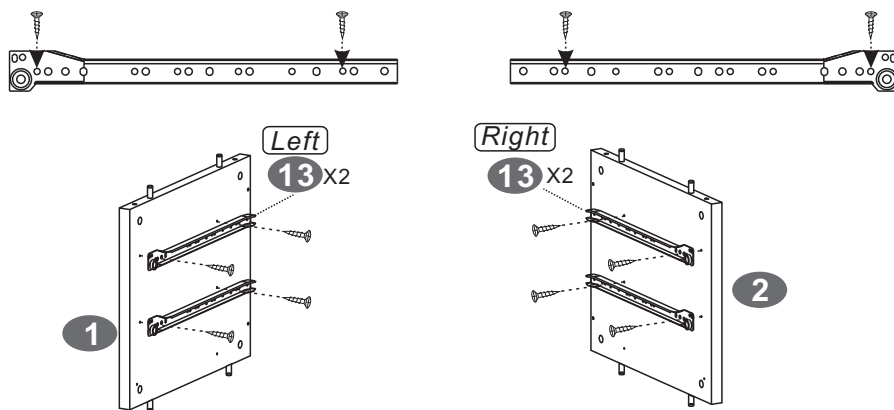
- Grab the 2 sets of the Drawer Sliders (13) and separate the flat ones from the "L" shaped ones. Place the drawer upside-down as shown and use screws B to assemble the "L" shaped Sliders to the Drawer Left & Right Panels (14 & 15) as shown. **IMPORTANT: REFER TO THE DRAWINGS FOR THE CORRECT POSITION OF THE SLIDERS.** If they get installed incorrectly, the drawers will raise 1" with a gap at the bottom and the top drawer will not close!

▪ SCREWS

**B** 3X15 MM

4PCS

6



- Grab 2 sets of the Flat Sliders (13) and use screws B to assemble them to the Left & Right Panels (1 & 2) as shown. The wheel on the sliders go facing to the FRONT and the screw goes on the hole after the wheel as shown. Attention: Do not assemble the sliders at the bottom of the panels; it is done until Step 9!

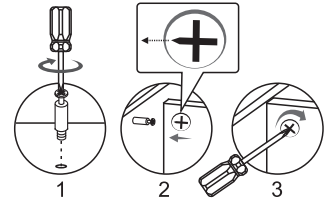
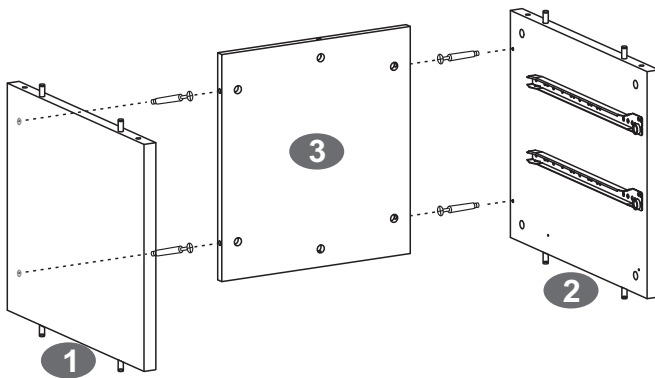
▪ SCREWS

**B** 3X15 MM

8PCS



7



▪ SCREWS

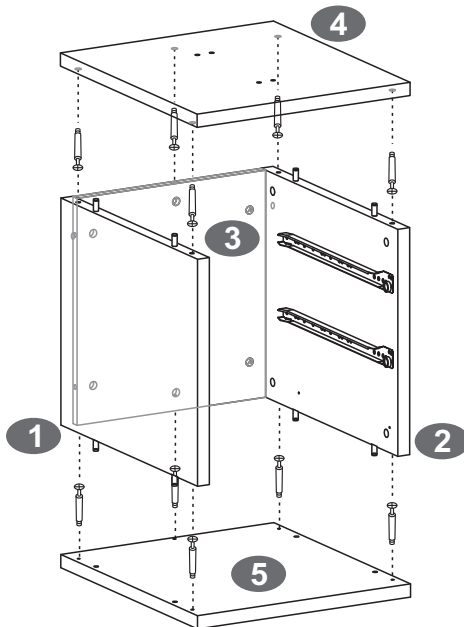
**A** 6X40 MM

4PCS

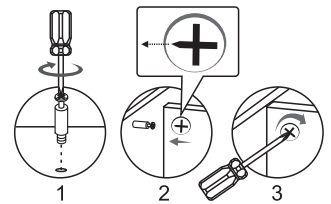


▪ First screw bolts A to the Left and Right Panel (1 & 2), then assemble the Back Panel (3) as shown and as explained in page 5.

8



▪ First screw bolts A to the Top Panel (4) and Bottom Panel (5), then assemble these panels to the Left and Right Panel, Back Panel (1, 2 & 3) as shown and as explained in page 5.



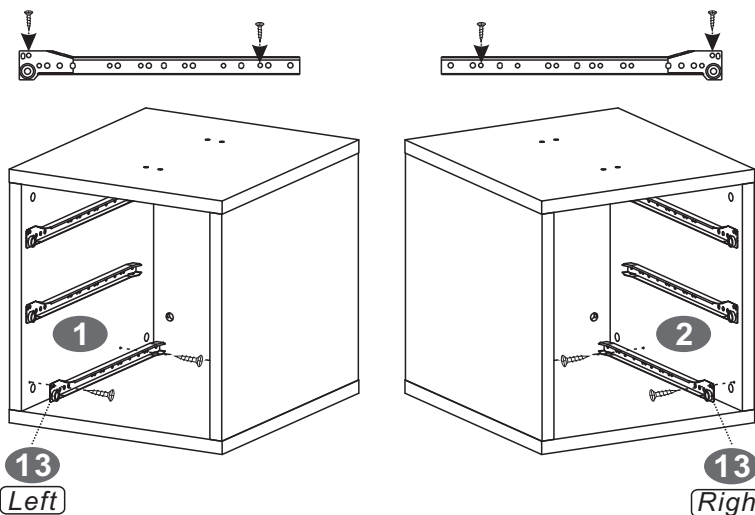
▪ SCREWS

**A** 6X40 MM

10PCS



9



▪ Grab the last set of Flat Sliders (13) and use screws B to assemble them to the Left & Right Panels (1 & 2) as shown.

The wheel on the sliders go facing to the FRONT and the screw goes on the hole after the wheel as shown.

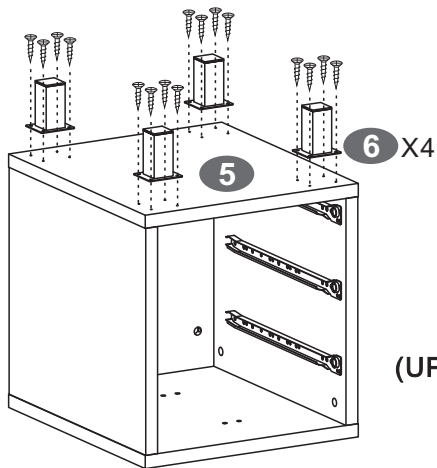
▪ SCREWS

**B** 3X15 MM

4PCS



10



▪ Use screws E to assemble the Support Tubes (6) to the Bottom Panel (5).

(UPSIDE-DOWN)

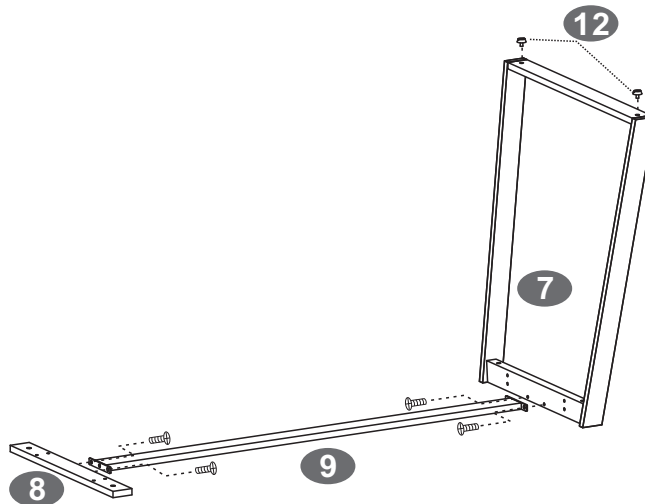
▪ SCREWS

**E** 4X14 MM

16PCS



11



▪ Use screws F to assemble the Long Tube (9) to the Main Structure (7) and the Short Tube (8).  
Insert the Studs (12) to the Main Structure (7).

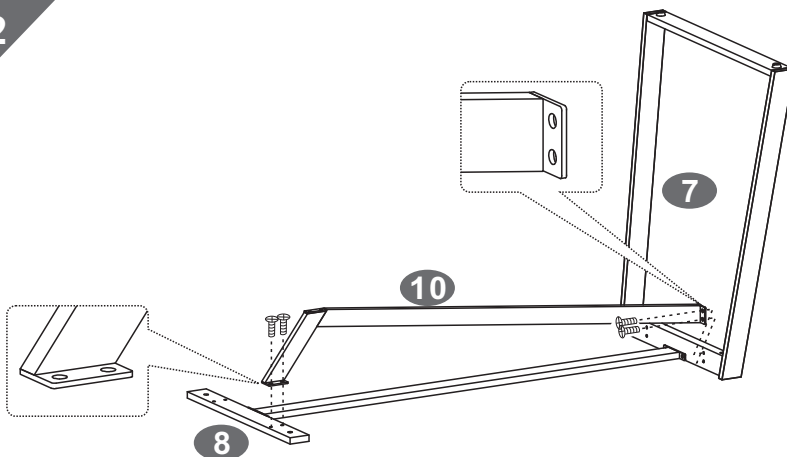
▪ SCREWS

**F** 6X15 MM

4PCS



12



▪ Use screws F to assemble the Front Tube (10) to the Main Structure (7) and the Short Tube (8).  
Please pay attention to the direction of the Front Tube (10).

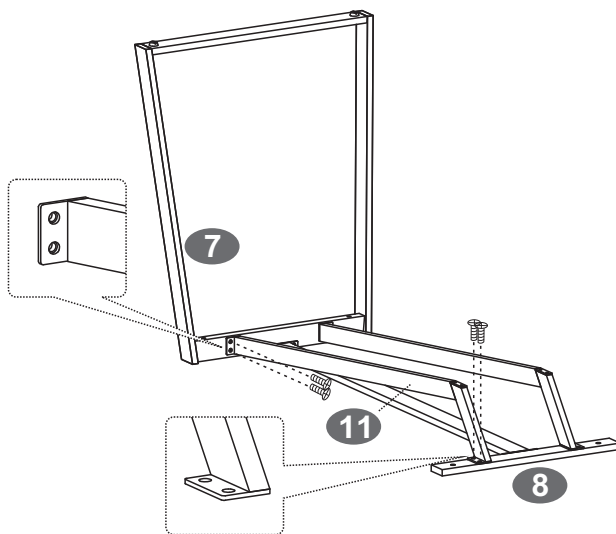
▪ SCREWS

**F** 6X15 MM

4PCS



13



- Use screws F to assemble the Back Tube (11) to the Main Structure (7) and the Short Tube (8). Please pay attention to the direction of the Front Tube (11).

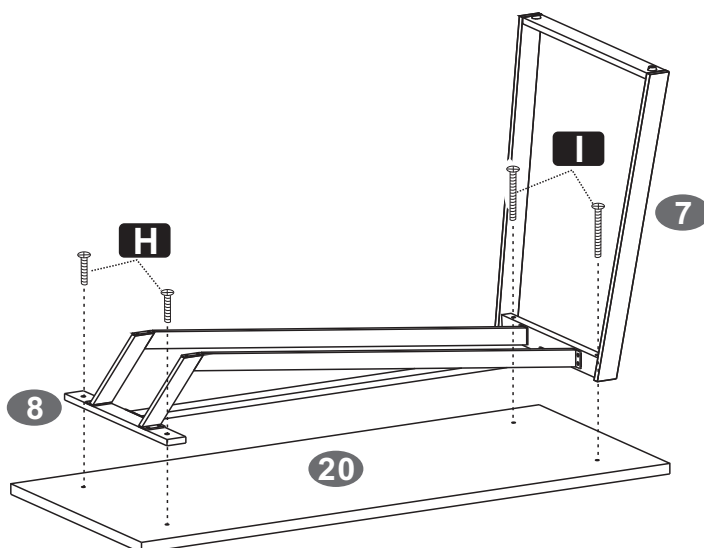
#### ▪ SCREWS

**F** 6X15 MM

4PCS



14



- Use screws H & I to assemble the Short Tube (8) and the Main Structure (7) to the Tabletop (20).  
**ATTENTION:** Make sure to use the correct screws (6x25MM). Using wrong screws will cause damage to the Tabletop !

#### ▪ SCREWS

**H** 6X25 MM

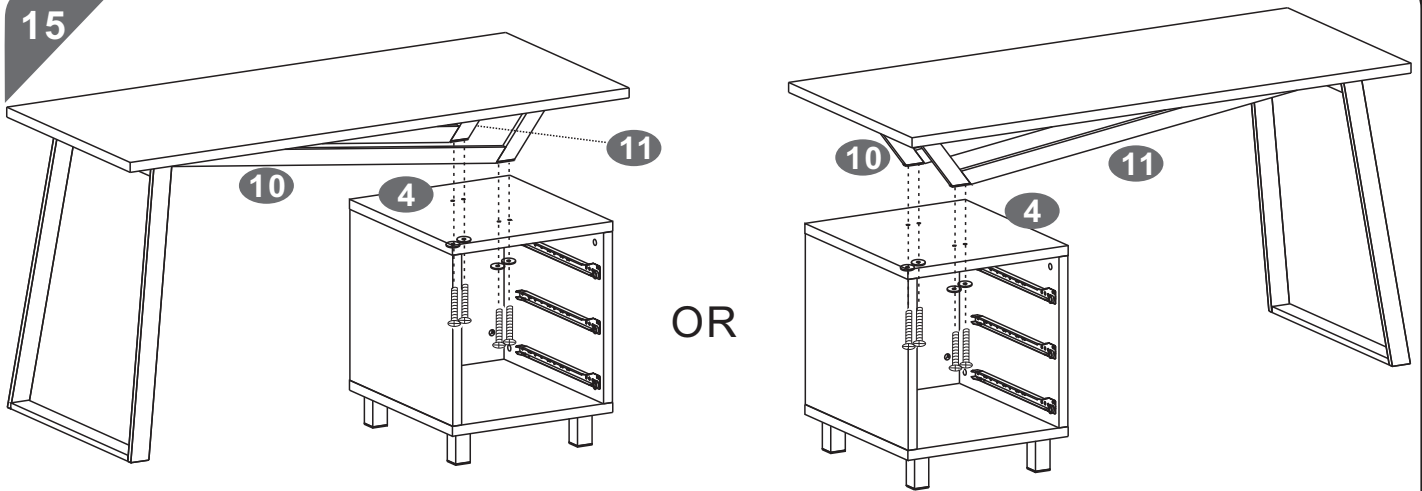
2PCS

**I** 6X60 MM

2PCS



15



▪ Use screws G & J to assemble the Front Tube (10) and the Back Tube (11) to the Top Panel (4).  
 Please note here are two options for you to assemble the cabinet on the Left side or Right side.

SCREWS

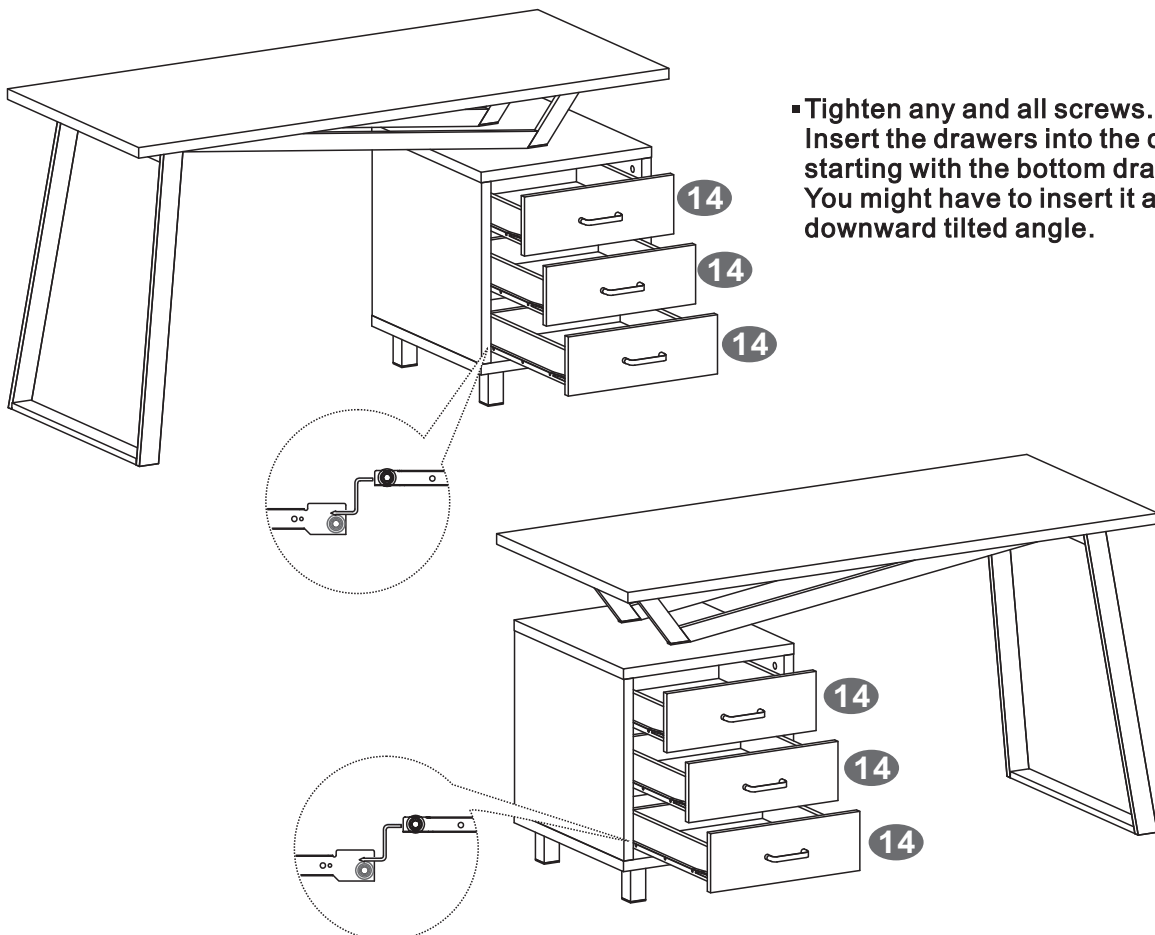
**G** 6X35 MM

4PCS

**J**  $\Phi$  16 MM

4PCS

16



▪ Tighten any and all screws.  
 Insert the drawers into the cabinet, starting with the bottom drawer. You might have to insert it at a downward tilted angle.

# CARE AND MAINTENANCE

## English

- DO NOT EXPOSE THE SURFACES TO DIRECT SUNLIGHT OR EXTREME ENVIRONMENTAL CONDITIONS. ANY DAMAGE RESULTING FROM SUCH EXPOSURE IS NOT COVERED BY THE PRODUCT'S WARRANTY.
- THE PREFERABLE METHOD TO CLEAN THE SURFACES IS TO WIPE THEM USING A SOFT CLOTH DAMPENED WITH A SOLUTION SOAP AND WATER, THEN DRY WITH A CLEAN TOWEL.
- DO NOT SPRAY SOLVENTS OR CLEANING AGENTS DIRECTLY OVER THE SURFACES, STRUCTURAL TUBES OR METAL PARTS.
- DO NOT LEAN, SEAT OR STAND OVER THE UNIT.
- DO NOT ALLOW CHILDREN TO PLAY OVER/UNDER THE UNIT, NOR ALLOW THEM TO REACH INSIDE ANY COMPARTMENTS WITHOUT THE SUPERVISION OF AN ADULT.
- BEFORE MOVING OR TRANSPORTING THE UNIT, MAKE SURE THAT:
  - ALL HEAVY OBJECTS OR THAT MIGHT FELL OFF ARE REMOVED FROM THE UNIT.
  - IF THE UNIT ARE ON CASTERS (WHEELS), MAKE SURE THAT ALL ARE UNLOCKED.
  - THE UNIT MUST BE HANDLED BY AT LEAST 2 PERSONS.
  - WHEN LIFTING THE UNIT, USE BOTH OF YOUR HANDS, AND BEND YOUR KNEES. REMEMBER TO ALWAYS LIFT WITH YOUR LEGS, NOT YOUR BACK.
- IN CASE OF DAMAGE TO ANY PARTS, NOTIFY THE VENDOR AS SOON AS POSSIBLE.
- IN CASE OF GLASS BREAKAGE (IF THE UNIT HAS A GLASS TABLE TOP OR PARTS MADE OF GLASS) DO NOT HANDLE THE BROKEN GLASS WITH YOUR BEAR HANDS, AND CONTACT THE VENDOR IMMEDIATELY. DO NOT ALLOW CHILDREN NEAR THE BROKEN GLASS.