

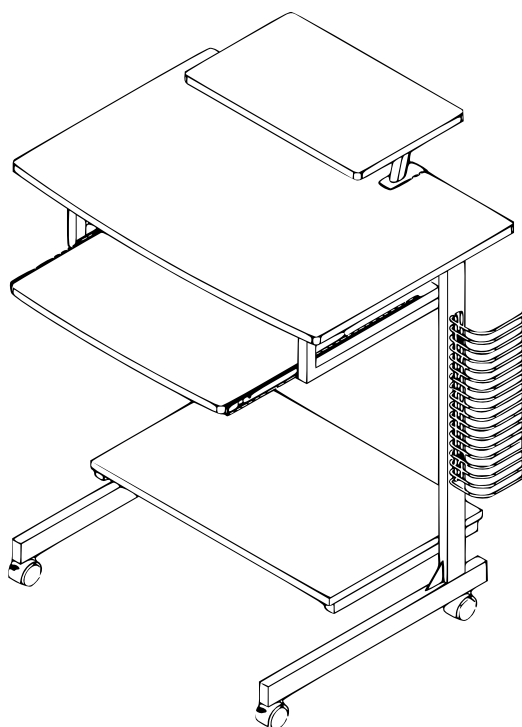
COMPACT COMPUTER CART WITH STORAGE

MODEL RTA-2018

ASSEMBLY INSTRUCTIONS

REV.CS-7282-0423

Thank you for purchasing our product



FRENCH



Scan QR to view the manual in French

VIDEO





Scan QR to view full assembly video

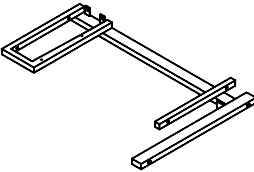
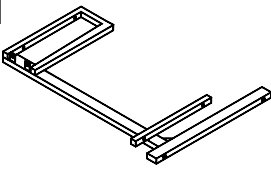
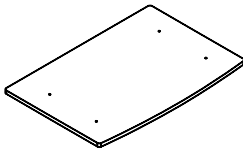
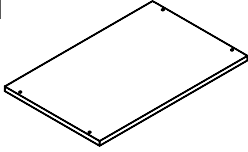
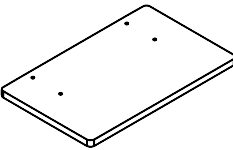
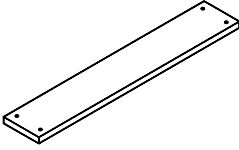
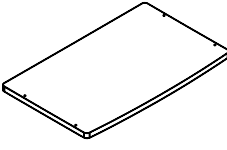
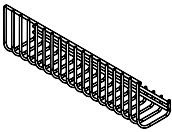



ARABIC



Scan QR to view the manual in Arabic

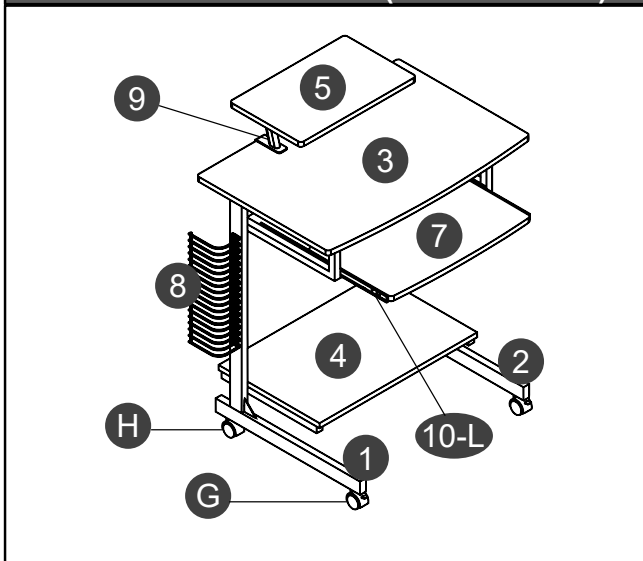
<p>Do a quick inventory of all the parts and hardware listed below.</p> 	<p>Support & Replacement Parts for the 48 contiguous United States:</p>  <p>Please email us at: support@rtaproducts.com</p>	<p>Replacement Parts for International Customers & AK-HI-PR orders:</p> <p>RTA Products will replace the part free of charge, while the customer is responsible for shipping costs plus any International local taxes or duties.</p>
-----------------------------------------------------------------------------------------------------------------------------------------------------------	---------------------------------------------------------------------------------------------------------------------------------------------------------------------------------------------------------------------------------------------------------------	-------------------------------------------------------------------------------------------------------------------------------------------------------------------------------------------------------------------------------------------------


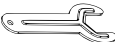
MAIN PARTS LIST

<p>1 Left frame * x1</p> 	<p>2 Right frame * x1</p> 	<p>3 Main panel x1</p> 	<p>4 Bottom panel x1</p> 
<p>5 Top adjustable shelf x1</p> 	<p>6 Back panel x1</p> 	<p>7 Keyboard panel x1</p> 	<p>8 CD Rack x1</p> 
<p>9 Shelf support with clamp x2</p> 	<p>10-L Left slider * x1</p> 		<p>10-R Right slider * x1</p> 








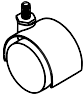
These sliders usually come already installed on the frames 1 and 2 with their screws F.

MAIN PARTS LAYOUT (For reference)



INCLUDED TOOLS		
1	M4 Allen wrench	
1	Hex wrench (spanner)	

HARDWARE LIST

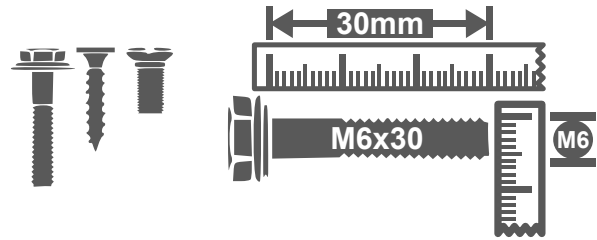
PART	QTY	SIZE	ITEM
A	8	M6x12	
B	8	M6x30	
C	2	M6x20	
D	2	M6xØ16	
E	4	M4x12	
F*	4*	M5x12*	
* Not in bag; these screws usually come already installed on the frames 1 and 2			
G	2	Locking caster	
H	2	Non-locking caster	

BEFORE YOU START THE ASSEMBLY, PLEASE READ THE FOLLOWING TIPS AND WARNINGS.

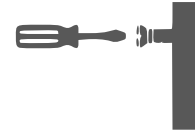
- Please read the assembly instructions thoroughly and follow step by step.



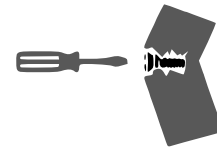
- Make sure you understand which hardware will be used on each step. Using the wrong size of screw, bolt or pin might strip the threads or cause damage to the part in which it is being used.



- To avoid misalignments, always leave the screws loosely and do not tighten them until all the pieces are positioned correctly.



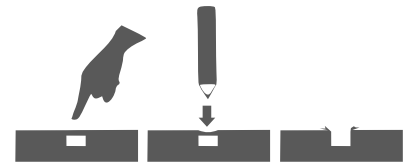
- Do not overtighten or force the screws as they might break, strip, damage the threads of the holes, or get stuck inside the parts.



- If the hole seems too small for the screw, make sure you are using the correct size of screw and/or that you are installing it in the correct hole.



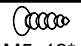
- Sometimes on the wood panels the laminate or material might be covering the hole partially or entirely, if there is no visible hole or if it looks too small, pass and press the tip of your finger over the area to feel its indentation, and carefully pierce the laminate to uncover the hole underneath.



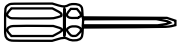
ASSEMBLY STEPS

STEP 1

Hardware

F*	 M5x12*	4*
Pcs		

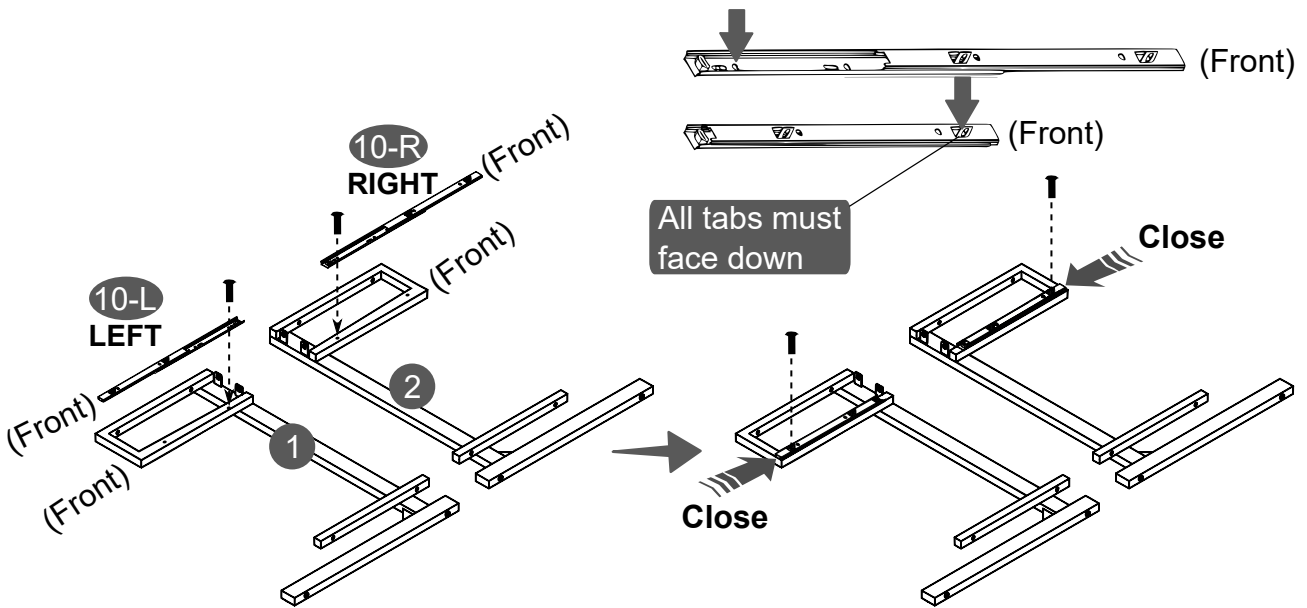
Tools (NOT included)



* The sliders usually come already attached to the frames, if that is the case, please skip this step.

Use a Phillips screwdriver (not included) to attach the sliders **10-L** to left frame **1**, and **10-R** to right frame **2**:


- Open the slider and attach first at the back.
- Close the slider and attach at the front through the opening tab.



STEP 2

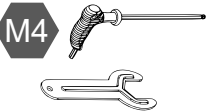
Hardware

A	 M6x12	4
Pcs		

G	 Locking	2
Pcs		

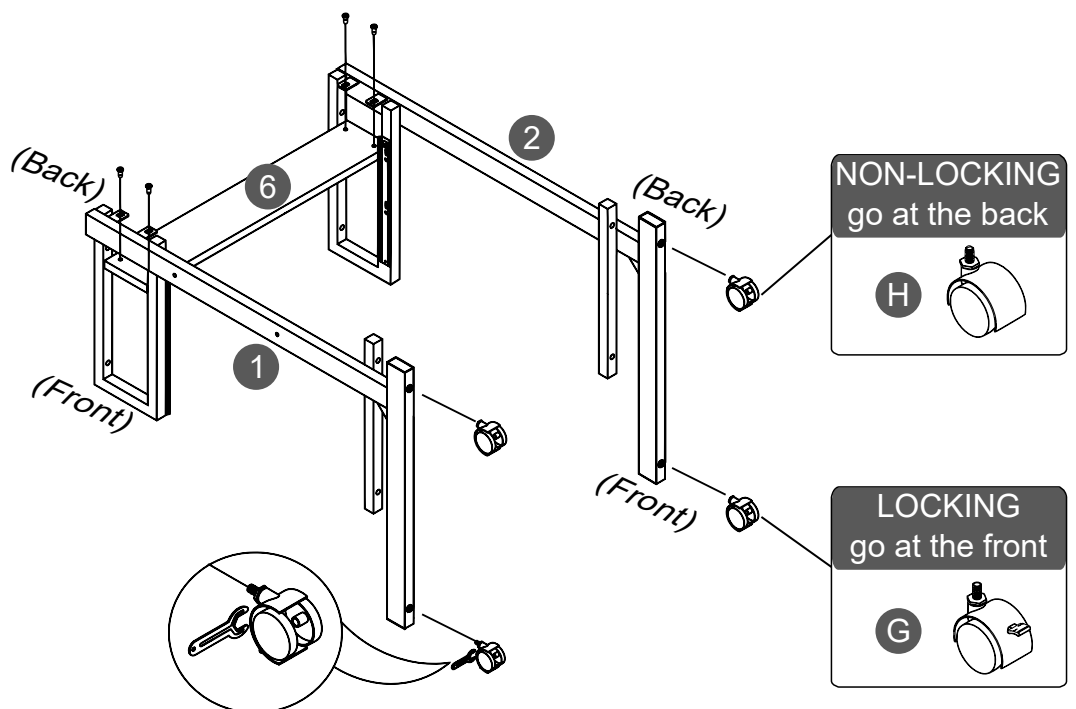
H	 Non-locking	2
Pcs		

Tools (included)




DO NOT TIGHTEN any screws until after finishing step 4

- Assemble the back panel **6** to the frames **1** and **2** with screws **A**.
- Attach the locking casters **G** to the frames **1** and **2** in the front holes.
- Attach the non-locking casters **H** to the frames **1** and **2** in the back holes.



STEP 3**Hardware**

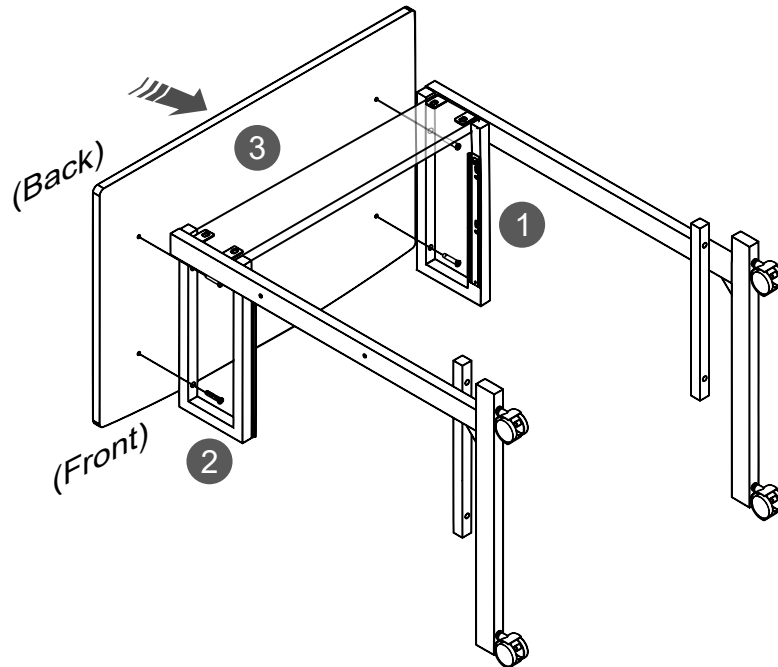
B		4
	M6x30	Pcs


Tools (included)

M4	
-----------	-----------------------------------------------------------------------------------

DO NOT TIGHTEN any screws until after finishing step 4

Assemble the main panel **3** to the frames **1** and **2** with screws **B** from underneath.

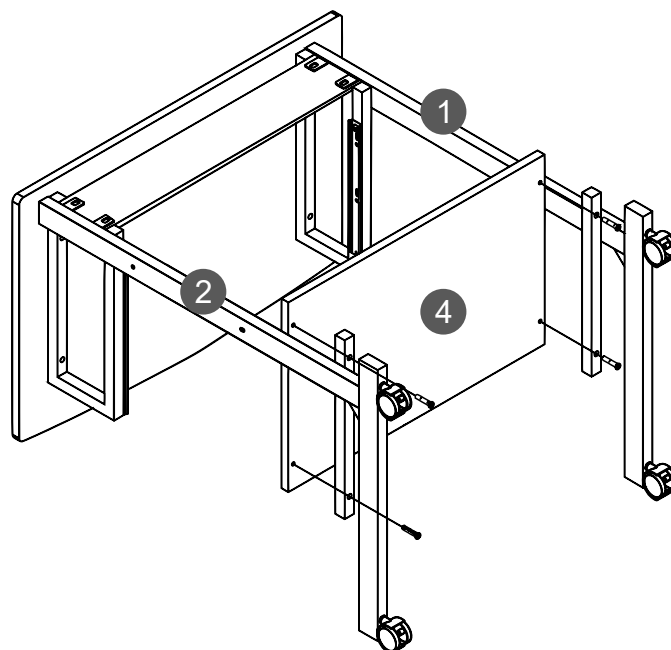
**STEP 4****Hardware**

B		4
	M6x30	Pcs

Tools (included)

M4	
-----------	-------------------------------------------------------------------------------------

- Assemble the bottom panel **4** to the frames **1** and **2** with screws **B**.
- You can now tighten all the screws installed from step 2 to step 4.

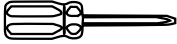


STEP 5

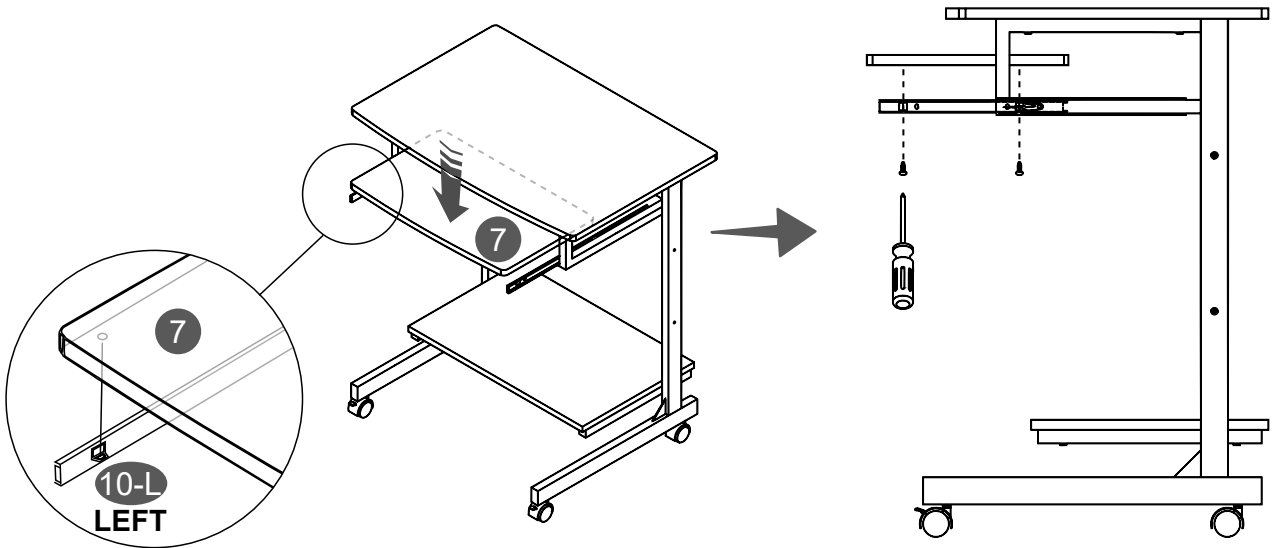
Hardware

E		4
	M4x12	Pcs

Tools (NOT included)



- Bring the unit upright, extend the sliders **10**, and place the keyboard panel **7** over the tabs making the predrilled holes coincide with the tabs.
- Use a Phillips screwdriver (not included) to secure the panel to the sliders' tabs with screws **E** from underneath.



STEP 6

Hardware

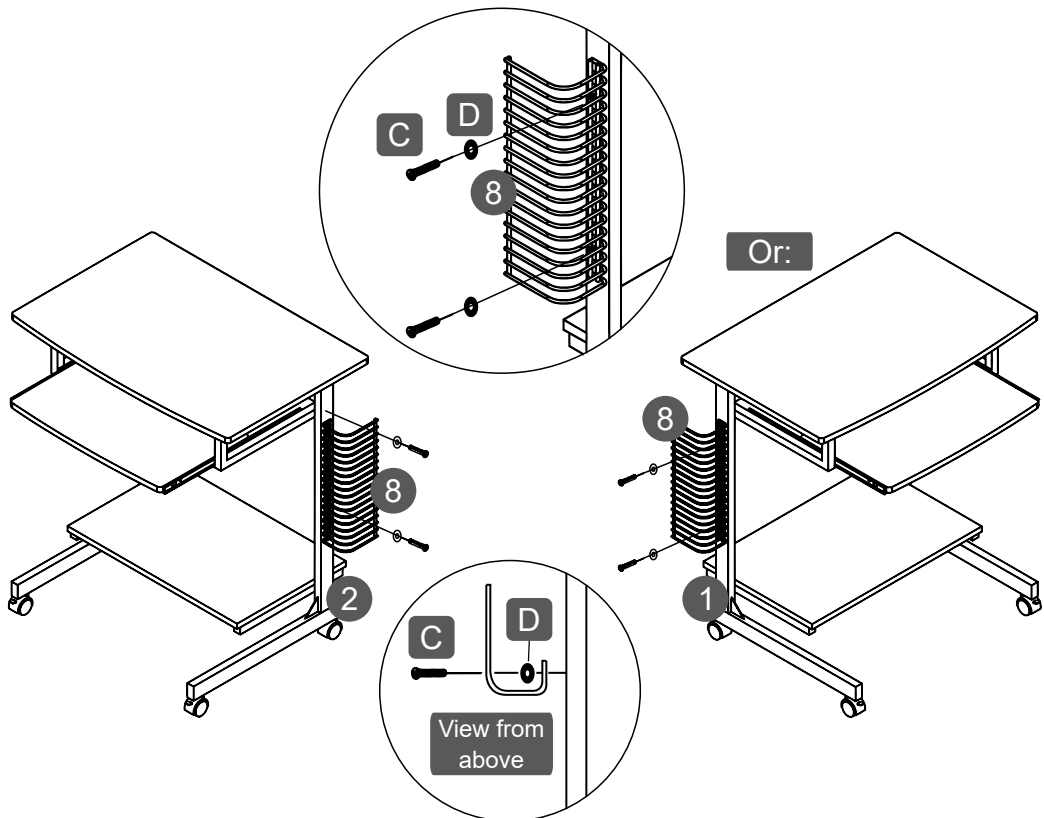
C		2
	M6x20	Pcs

D		2
	M6Ø16	Pcs

Tools (included)




Use screws **C** and washer **D** to attach the CD rack **8** to the frame **1** (on the left side) or to the frame **2** (on the right side) according to your preference.



STEP 7

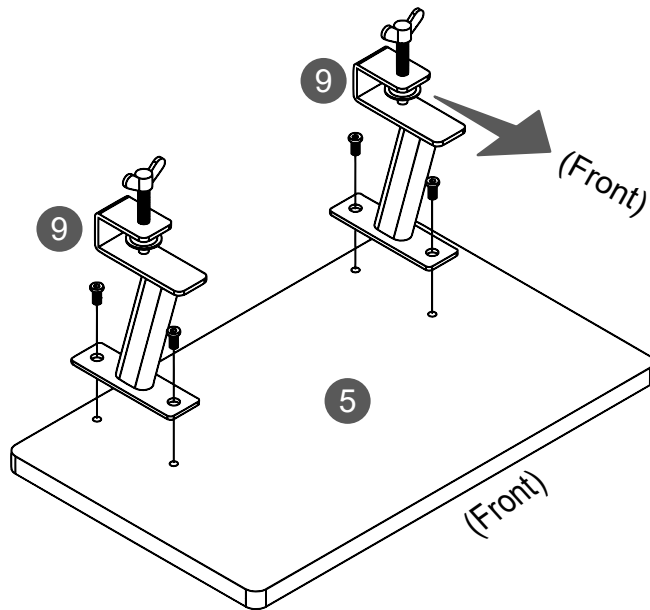
Hardware

A		4
M6x12		

Tools (included)

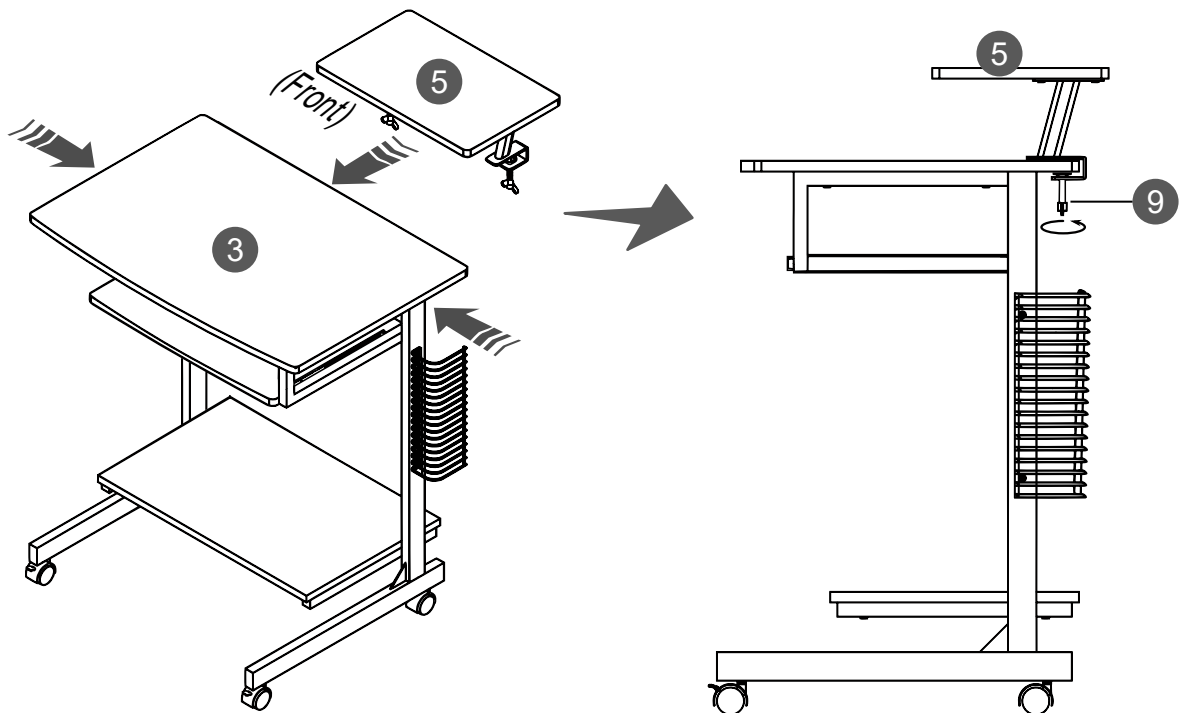


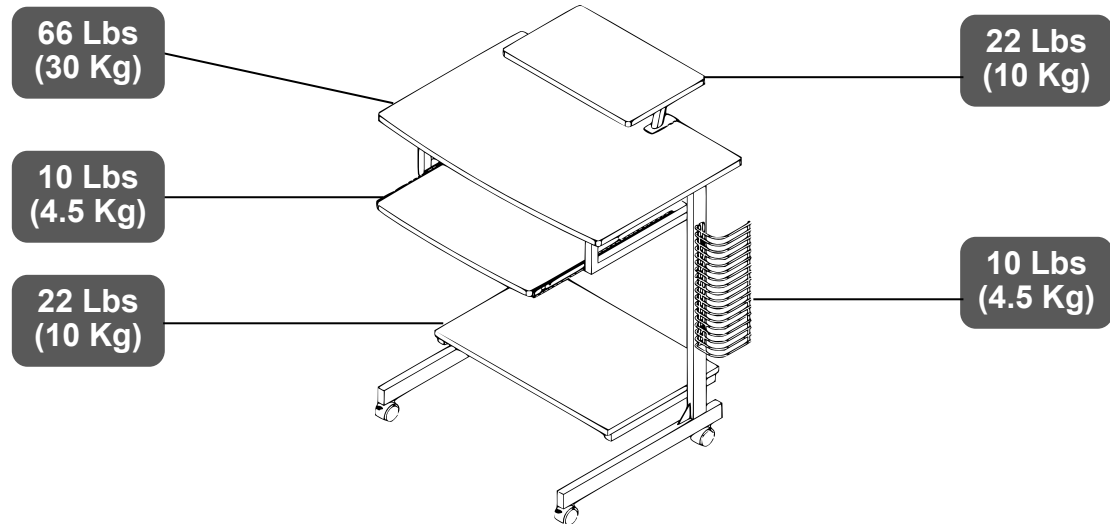
Assemble the shelf supports **9** to the adjustable shelf **5** with screws **A**.



STEP 8

Place the adjustable shelf **5** on the main panel **3** in the location of your preference, and secure it by turning the clamps on the supports **9**.



WEIGHT LIMITS**WARNINGS**

- Do not exceed the indicated weight limits.
- Do not expose the surfaces to direct sunlight or to extreme environmental conditions.
- Do not use solvents or abrasive materials to clean the unit.
- Do not sit on the unit or lean against it.
- Do not allow small children to play with the unit.
- Before moving the unit, unlock the front casters and make sure to secure or remove any object that might fall off while the unit is rolling.
- The warranty does not extend to regular wear and tear, nor the manufacturer assumes liability for damages or consequences due to accidents, incorrect assembly, negligence, improper use, modifications, or not heeding the above warnings.

CARE AND MAINTENANCE

- Clean the surfaces preferable with a clean cloth damped in a solution of mild soap and water, then dry with a clean towel.
- If you decide to use a cleaning agent, test first on an area hidden from view such as underneath the keyboard tray.
- Every 4 months, inspect the unit completely and make sure that all screws are tighten.
- Do not use if you notice parts damaged, bent, cracked, or if screws are loose or missing.
- When transporting the unit to places far away, protect and secure the unit to avoid damage in transit.

TECHNI MOBILI WARRANTY**DESKS/LAPTOP CARTS/FILE CABINETS: LIMITED 5-YEAR WARRANTY**

RTA Products, LLC warrants to the Original Purchaser who acquired a new product from RTA Products or its authorized resellers that this product will be free from defects in its workmanship and materials, under normal use and service conditions, as described herein. "Defects" as used in this warranty, is defined as any imperfections that impair the use of the furniture or product. RTA Products LLC will replace any defective part, at its discretion, and without charge to the original purchaser other than the freight from the end consumer to RTA Products.

Replacement parts can only be supplied if parts are available. Items out of production may be unavailable. This warranty will be effective for the applicable time period beginning the date of purchase on your original sales receipt. RTA product's obligation under this warranty is limited to repairing or replacing products or parts as provided herein. This product has been designed for and is intended for office and home-office use only. This warranty is Original Purchaser's sole remedy for product defects, and this warranty does not extend to any product, or damage to any product, caused by or attributed to abuse or misuse, products used for commercial or rental purposes, use modifications of, or attachments to the product, and products or parts not used, maintained, or extended hereunder is in lieu of any and all other warranties, express or implied, including without limitations any implied warranty or merchantability or of fitness for a particular purpose. Please note, all desks made with PVC Laminate surface should not be exposed to direct sunlight, as it may damage the material. Damage of this nature is not covered under this warranty.

RTA Products will not be responsible for indirect, special, incidental or consequential damages. This warranty is limited to merchandise purchased in the Continental United States, excludes AK, HI and PR. Some States do not allow the exclusion or limitation of incidental or consequential damages, so the above limitations or exclusions may not apply to you. This warranty gives you specific legal rights. You may also have other rights that may vary from state to state.

To file a Claim within the 48 contiguous United States:

Email us to warranty@rtaproducts.com to explain the defect and provide your name, address, phone number, model number of our product, date and place, and proof of purchase. Please provide pictures of the damage or defect. If we determine that a replacement will remedy the situation, and in order to determine the extent or the cause of the defect, purchaser may be requested to send the part in question at purchaser's expense. Once we receive the part, we will examine it and determine whether the claim is valid (or not), and then proceed to send the replacement. We will ship the replacement at our expense.

Replacement Parts for International Customers & AK-HI-PR orders:

RTA Products will replace the part free of charge, while **the customer is responsible for shipping costs plus any International local taxes or duties.**