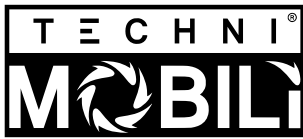




# FOLDING TABLE MODEL RTA-15FLD



## Owner's Manual

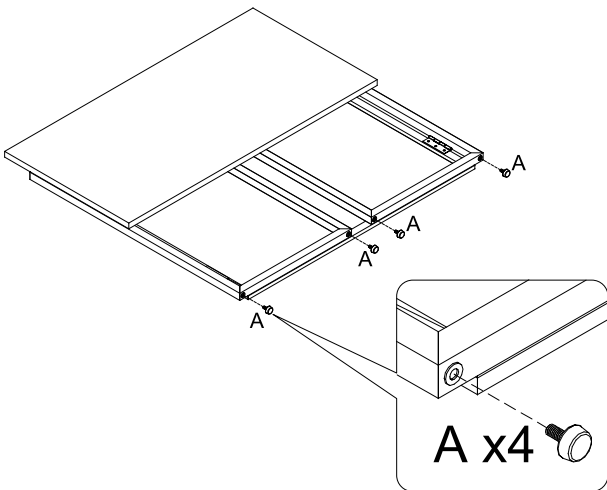
REV.SA-7537-0823

Thank you for purchasing our product

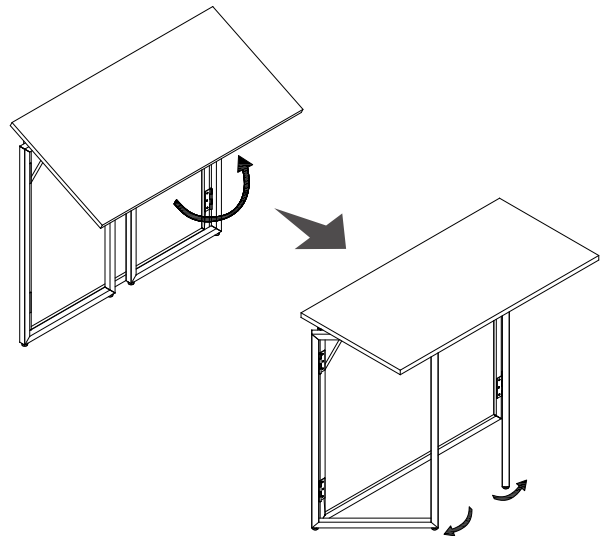
SEE OTHER SIDE FOR DIMENSIONS, WARNINGS AND CARE

### INSTRUCTIONS FOR SETTING UP AND FOLDING THE TABLE:

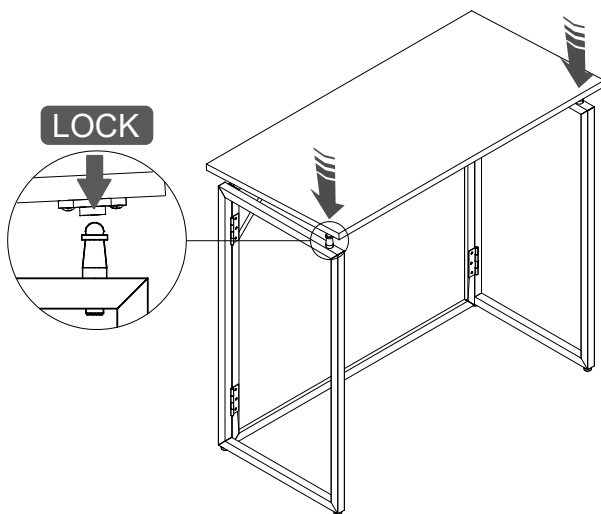
1. Install the glide studs "A" on the bottom of the legs before unfolding.



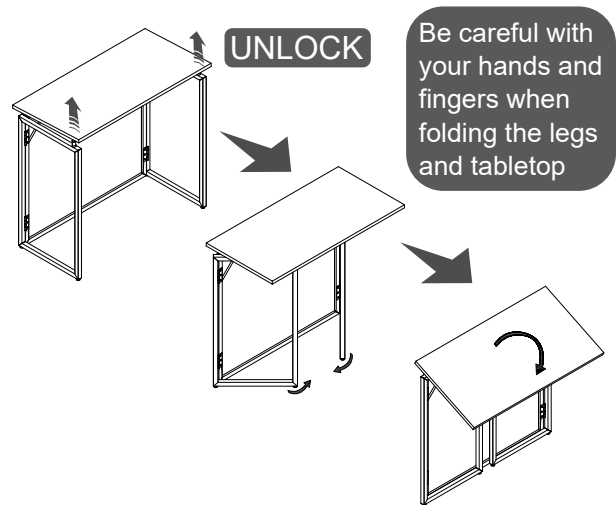
2. Unfold the tabletop first, then the legs.



3. Press down the tabletop's plastic sockets over the plastic supports on the legs to lock the tabletop in place.



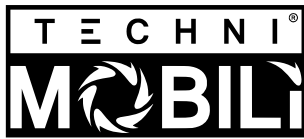
To store the table, **FIRST** unlock the tabletop from the supports, then hold it while carefully fold down the legs.



Customer Service: [support@rtaproducts.com](mailto:support@rtaproducts.com)



# FOLDING TABLE MODEL RTA-15FLD

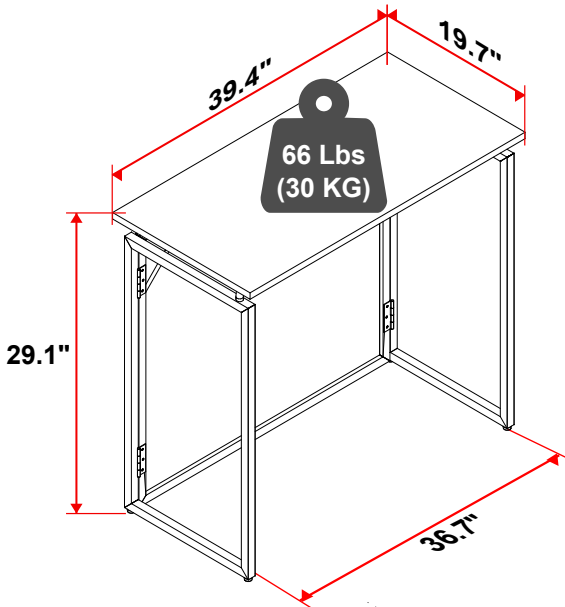
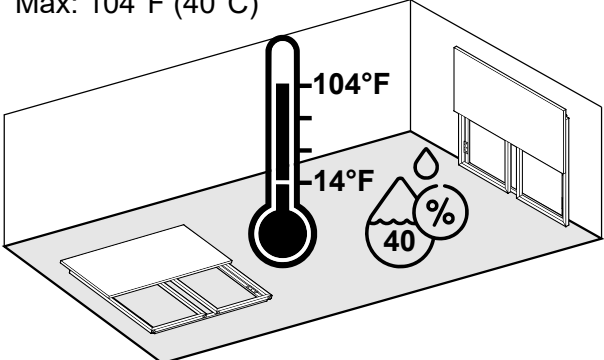


## Owner's Manual

REV.SA-7537-0823

Thank you for purchasing our product

**SEE OTHER SIDE FOR FOLDING-UNFOLDING INSTRUCTIONS**

DIMENSIONS AND WEIGHT CAPACITIES:	WARNINGS:
	<ul style="list-style-type: none"> <li>• Do not exceed the indicated weight limit.</li> <li>• Make sure the tabletop is properly secured to the legs after unfolding and before using.</li> <li>• Be careful when folding/unfolding to avoid hand injuries.</li> <li>• Do not leave objects hanging over the edge of the table.</li> <li>• If you have to move the table while objects are still on it, remove or secure those that could tip over or fall off.</li> <li>• Do not use if the product appears to be damaged or defective.</li> <li>• The manufacturer does not assume liability for consequences due to accidents, overloading, negligence, improper use or modifications.</li> </ul>
STORAGE:	CARE AND MAINTENANCE:
<ul style="list-style-type: none"> <li>• Fold the table and store in a dry place (please see the other side for folding instructions).</li> <li>• Storage Maximum Humidity: 40%.</li> <li>• Storage temperature range: Min: 14°F (10°C) Max: 104°F (40°C)</li> </ul> 	<ul style="list-style-type: none"> <li>• Do not expose the product to extreme environmental conditions.</li> <li>• To clean the table it is recommended to use a soft cloth lightly damped in a solution of smooth soap and water, then dry with a clean towel.</li> <li>• Do not use solvents or abrasive materials.</li> <li>• Before using a cleaning agent, test on a small hidden area, like underneath.</li> <li>• Inspect the product periodically for loose screws, broken/detached rivets, loose hinges, broken welding and for any other defects that might become a safety risk.</li> </ul>

Customer Service: [support@rtaproducts.com](mailto:support@rtaproducts.com)

# RTA-15FLD

## TECHNI MOBILI WARRANTY



### **DESKS/LAPTOP CARTS/FILE CABINETS: LIMITED 5-YEAR WARRANTY**

RTA Products, LLC warrants to the Original Purchaser who acquired a new product from RTA Products or its authorized resellers that this product will be free from defects in its workmanship and materials, under normal use and service conditions, as described herein. "Defects" as used in this warranty, is defined as any imperfections that impair the use of the furniture or product. RTA Products LLC will replace any defective part, at its discretion, and without charge to the original purchaser other than the freight from the end consumer to RTA Products.

Replacement parts can only be supplied if parts are available. Items out of production may be unavailable. This warranty will be effective for the applicable time period beginning the date of purchase on your original sales receipt. RTA product's obligation under this warranty is limited to repairing or replacing products or parts as provided herein. This product has been designed for and is intended for office and home-office use only. This warranty is Original Purchaser's sole remedy for product defects, and this warranty does not extend to any product, or damage to any product, caused by or attributed to abuse or misuse, products used for commercial or rental purposes, use modifications of, or attachments to the product, and products or parts not used, maintained, or extended hereunder is in lieu of any and all other warranties, express or implied, including without limitations any implied warranty or merchantability or of fitness for a particular purpose. Please note, all desks made with PVC Laminate surface should not be exposed to direct sunlight, as it may damage the material. Damage of this nature is not covered under this warranty.

RTA Products will not be responsible for indirect, special, incidental or consequential damages. This warranty is limited to merchandise purchased in the Continental United States, excludes AK, HI and PR. Some States do not allow the exclusion or limitation of incidental or consequential damages, so the above limitations or exclusions may not apply to you. This warranty gives you specific legal rights. You may also have other rights that may vary from state to state.

#### **To file a Claim within the 48 contiguous United States:**

Email us to [warranty@rtaproducts.com](mailto:warranty@rtaproducts.com) to explain the defect and provide your name, address, phone number, model number of our product, date and place, and proof of purchase. Please provide pictures of the damage or defect. If we determine that a replacement will remedy the situation, and in order to determine the extent or the cause of the defect, purchaser may be requested to send the part in question at purchaser's expense. Once we receive the part, we will examine it and determine whether the claim is valid (or not), and then proceed to send the replacement. We will ship the replacement at our expense.

#### **Replacement Parts for International Customers & AK-HI-PR orders:**

RTA Products will replace the part free of charge, while **the customer is responsible for shipping costs plus any International local taxes or duties.**