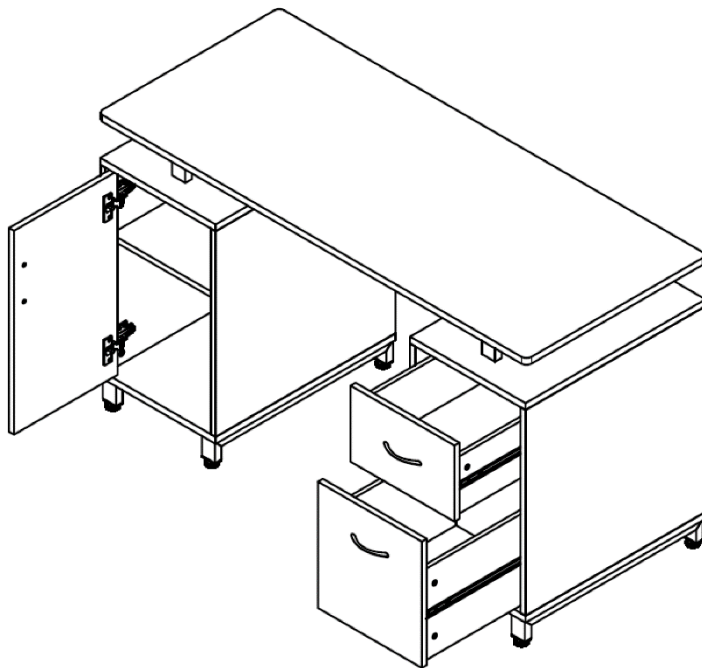


MODEL RTA-0054

ASSEMBLY INSTRUCTIONS

Thank you for purchasing our product.



P.2	RTA-0054	P.2
-----	----------	-----



- Please read carefully the assembly instructions before the installation.

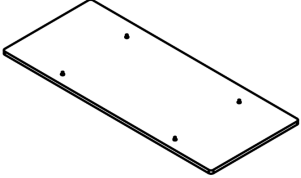
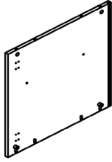
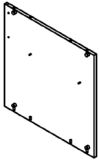
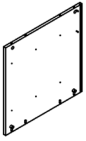
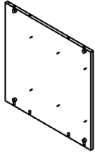
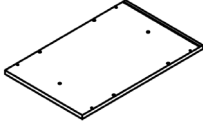
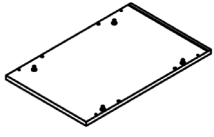
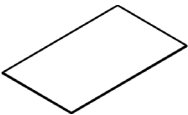

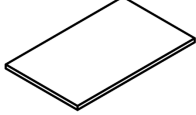
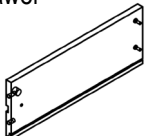
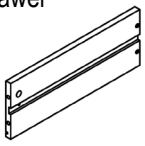
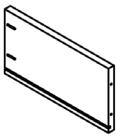
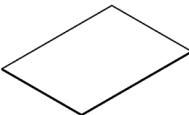
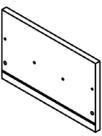
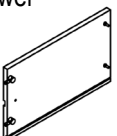
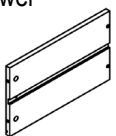
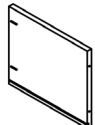
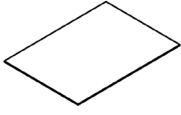
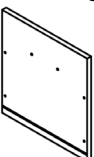

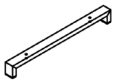
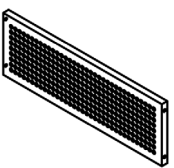


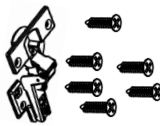



- Do not discard this manual or any of the packaging material until the unit has been completely assembled.

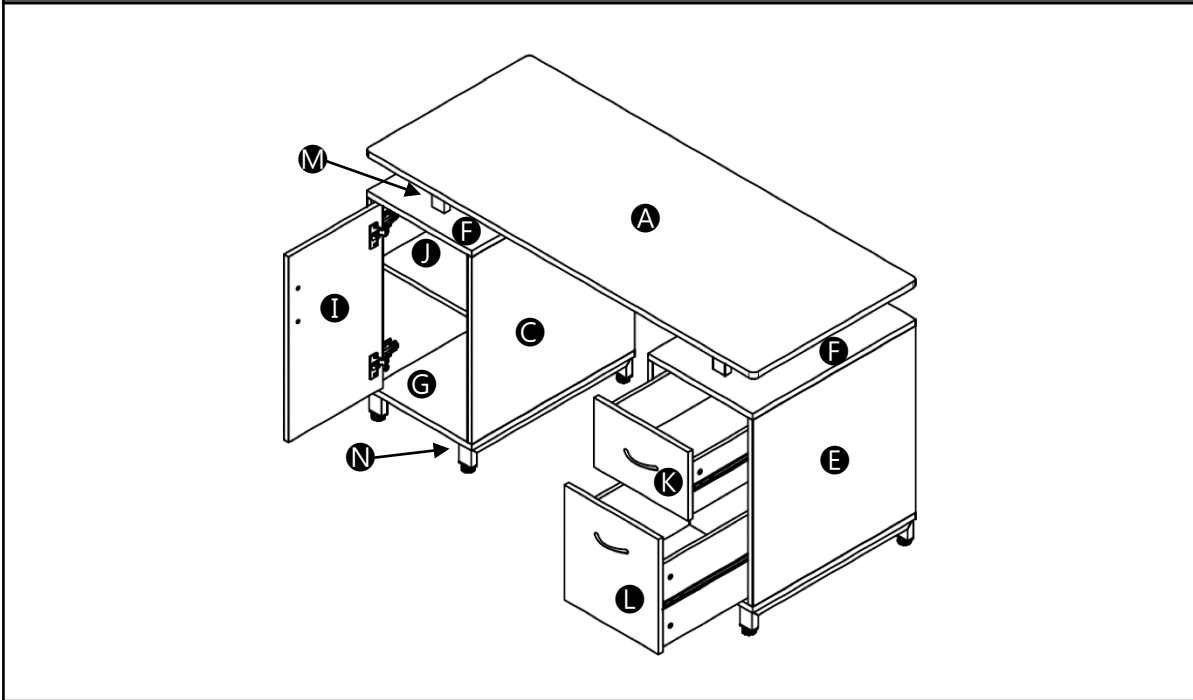


- Might require two people.

MAIN PARTS LIST

A x1 Main panel 	B x1 Left panel for left cabinet 	C x1 Right panel for left cabinet 
D x1 Left panel for drawers' cabinet 	E x1 Right panel for drawers' cabinet 	F x2 Top panels for both cabinets 
G x2 Bottom panel for both cabinets 	H x2 Back panels for both cabinets 	I x1 Door panel for left cabinet 
J x1 Removable panel 	K1 x1 Left panel for small drawer 	K2 x1 Right panel for small drawer 
K3 x1 Back panel for small drawer 	K4 x1 Bottom panel for small drawer 	K5 x1 Front panel for small drawer 
L1 x1 Left panel for large drawer 	L2 x1 Right panel for large drawer 	L3 x1 Back panel for large drawer 
L4 x1 Bottom panel for large drawer 	L5 x1 Front panel for large drawer 	M x2 Top metal supports for the main panel 
N x4 Bottom metal supports for the cabinets 	O x1 Metal back panel 	P x8 Studs 
Q x4 Sliders for drawers 	R x2 sets Set of 1 hinge with 6 screws 15mm 	S x3 sets Set of 1 handle with 2 screws 22L 

MAIN PARTS LAYOUT (FOR REFERENCE):



SCREWS LIST:


THE FOLLOWING COME IN BAG#1:		
PART	QTY	SIZE / DESCRIPTION / FIGURE
1	16	Large wooden pins for cabinets
2	22	Cam bolts
3	16	Large cam locks for cabinets
4	12	12mm
5	4	Metal pins
6	4	9L
7	8	38mm
8	6	Small cam locks for the drawers
9	2	Small wooden pins for small drawer

THE FOLLOWING COME IN BAG#2:		
PART	QTY	SIZE / DESCRIPTION / FIGURE
10	8	32L
11	4	40L
12	4	52L
13	4	12L
14	1	4mm Allen wrench

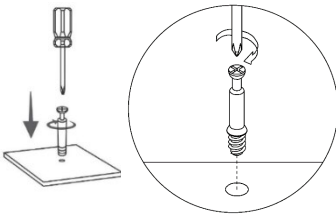
NOTE: You will also need for the assembly a Phillips screwdriver and mallet/hammer (not included).

☛ This unit uses cam bolts and locks. The following explains how to use them.
This is not an assembly step; it is a guide for when you are actually doing the assembly using this kind of hardware.

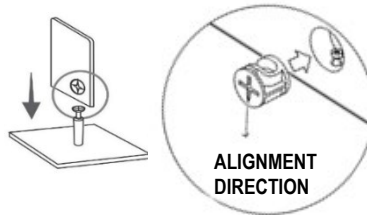
Cam Bolt 

Cam Lock 

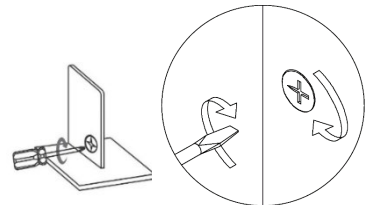
1. Screw the bolt into the corresponding panel.



2. In the other panel, insert the cam lock and align it so it can properly receive the bolt, then join both panels (the cam locks might come pre-installed in this unit).



3. The panels might have a very small gap which is normal; turn the cam lock clockwise to lock the parts together and the gap will also close.

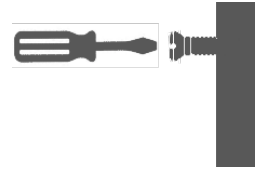


BEFORE YOU START THE ASSEMBLY, PLEASE READ THE FOLLOWING TIPS AND WARNINGS.

1 Do a quick inventory to make sure the package contains all the parts and hardware listed in the assembly instructions.



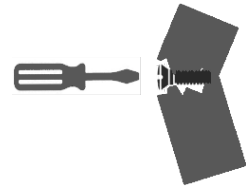
7 To avoid misalignments, always leave the screws loose and tighten them until all pieces are positioned correctly.



2 Missing, damaged and defective parts can be replaced at no cost to you. Please refer to the last pages on this manual.



8 Do not overtighten or force the screws as they might break, strip, damage the threads of the holes or get stuck inside the part.



3 The replacement parts service is limited to the continental United States. If you reside in Hawaii, Puerto Rico, U.S. Dependencies or other countries, please contact the supplier from where the unit was purchased.



9 Sometimes the laminate might cover partially or entirely the hole on a panel. If there is no visible hole for the screw, pass and press the tip of your finger over the area where the hole should be located to feel the indentation, and once found, carefully pierce the laminate to reveal the hole underneath.



4 If during assembly you find an issue or need clarification, please contact our Customer Service for assistance. Please refer to the last pages on this manual.



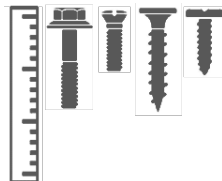
5 On each step read the instructions and analyze the illustrations thoroughly before proceeding to do the assembly.



10 If the hole seems too small for the screw, first make sure you are using the correct size of screw and that it's been installed in the correct hole. If the hole still appears to be too small, carefully pierce the laminate to reveal the hole's actual size.



6 Make sure you understand which hardware will be used on each step. Using the wrong size of screw, bolt or pin might strip the threads or cause damage to the part in which it is being used.



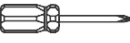


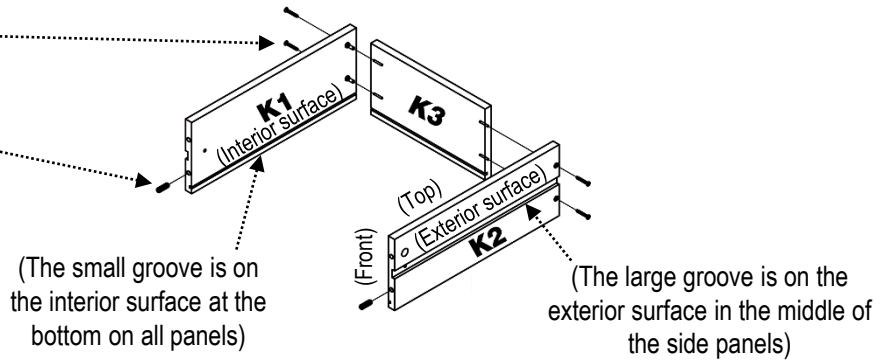
STEPS 1 THRU 8: DRAWERS ASSEMBLY

STEP 1

First insert the small wooden pins (9) into the bottom holes on the front profile of the side panels (K1) and (K2), then assemble the back panel (K3) to the side panels using screws (7) as shown.

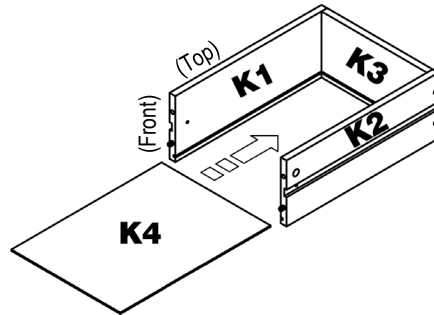
Hardware/Tools:

7		4 Pcs
	38mm	
9		2 Pcs
	Small	
		
(NOT INCLUDED)		



STEP 2




Slide the bottom panel (K4) through the grooves of all panels (K1), (K2) and (K3).



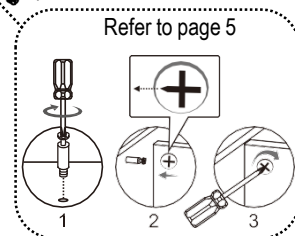
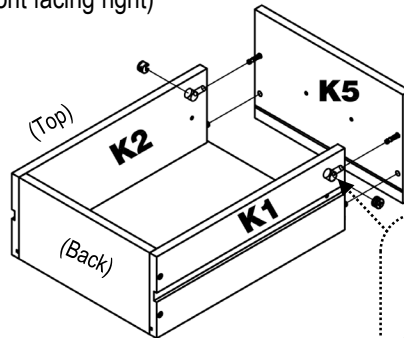
STEP 3

First attach the cam bolts (2) on the top holes of the interior surface on the front panel (K5), then install and align the small cam locks (8) on the side panels (K1) and (K2), and finally assemble the front panel (K5) as shown and as explained in page 5.

Hardware/Tools:

2		2 Pcs
8		2 Pcs
	Small	
		
(NOT INCLUDED)		

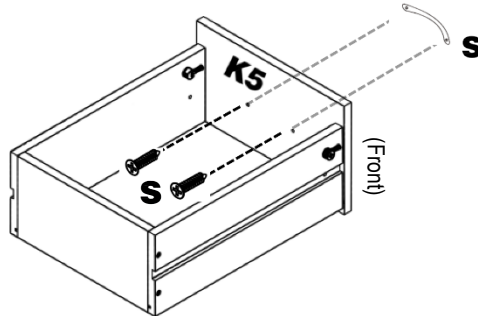
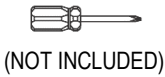
(This view shows the drawer from behind with its front facing right)



STEP 4

Assemble one of the handles (S) to the front panel (K5) using its own screws from the inside as shown.

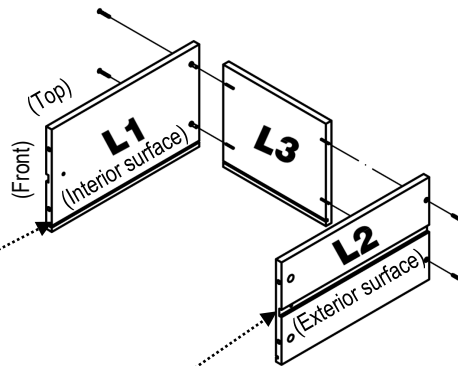
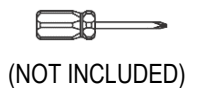
Hardware/Tools:



STEP 5

Assemble the back panel (L3) to the side panels (L1) and (L2) using screws (7) as shown.

Hardware/Tools:



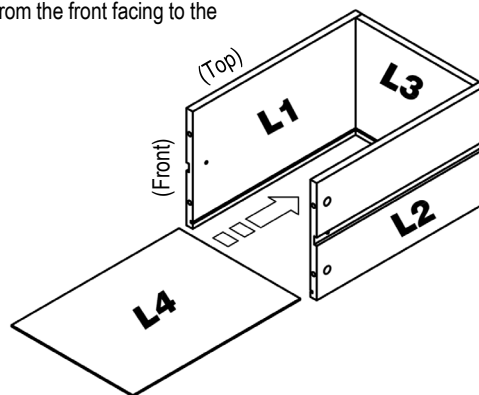
(The small groove is on the interior surface at the bottom on all panels)

(The large groove is on the exterior surface in the middle of the side panels)

STEP 6

Slide the bottom panel (L4) through the grooves of all panels (L1), (L2) and (L3).

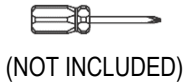
(This view is from the front facing to the left)



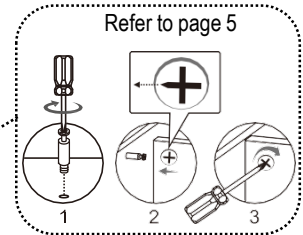
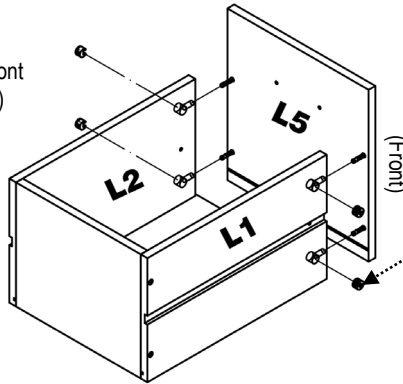
STEP 7

Assemble the front panel (L5) to the side panels (L1) and (L2) using cam bolts (2) and cam locks (8) just as in step 3 and as explained in page 5.

Hardware/Tools:



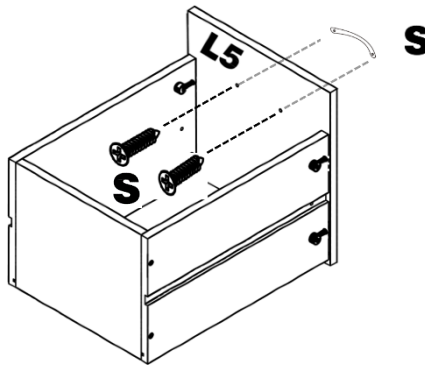
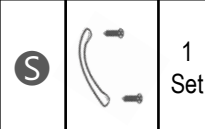
(This view is from behind with the front facing to the right)



STEP 8

Assemble the second handle (S) to the front panel (L5) using its own screws from the inside as shown.

Hardware/Tools:

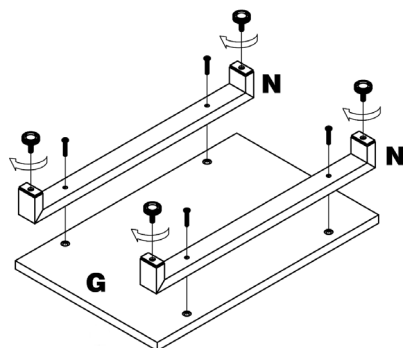
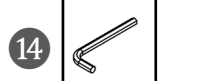


STEPS 9 THRU 14: CABINETS ASSEMBLY

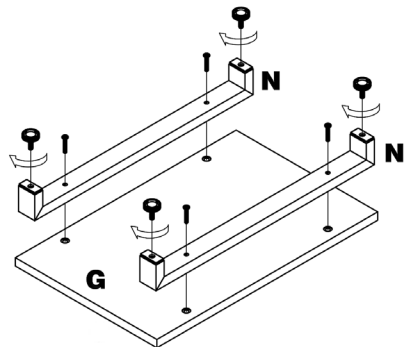
STEP 9

Place one of the panels (G) upside-down and assemble 2 of the bottom frames (N) using screws (10), then attach the studs (P) as shown. Then repeat for the second cabinet base.

Hardware/Tools:



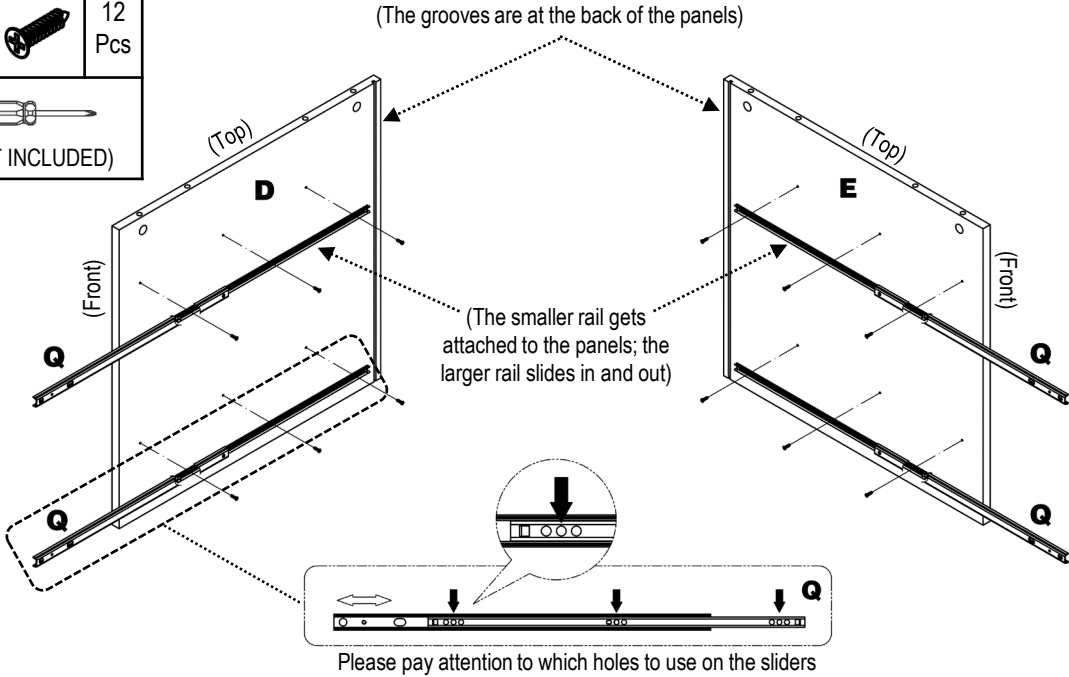
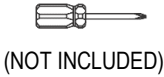
Repeat for the second cabinet base:



STEP 10

With the side panels **D** and **E** oriented as shown, assemble the sliders **Q** using screws **4**, making sure the smaller rails attach to the panels, and the larger rails slides in and out.
TIP: Assemble first on the back holes of the sliders

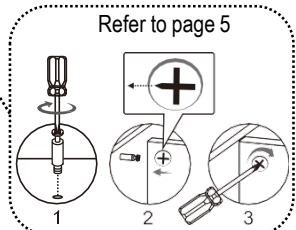
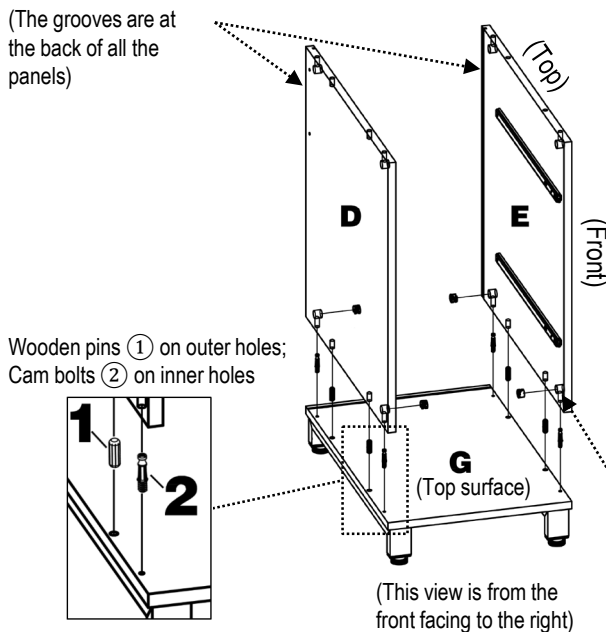
Hardware/Tools:



STEP 11

First insert the wooden pins **1** into the innermost set of holes on the top surface of bottom panel **G**, then attach the cam bolts **2** into the outermost sets of holes; then insert and align the cam locks **3** into the bottom sets of holes on the side panels **D** and **E** and finally, assemble the side panels to **G** as shown and as explained in page 5.




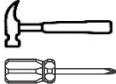
Hardware/Tools:

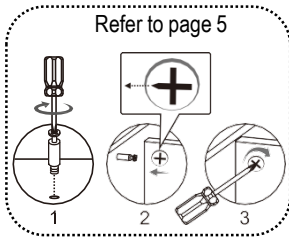
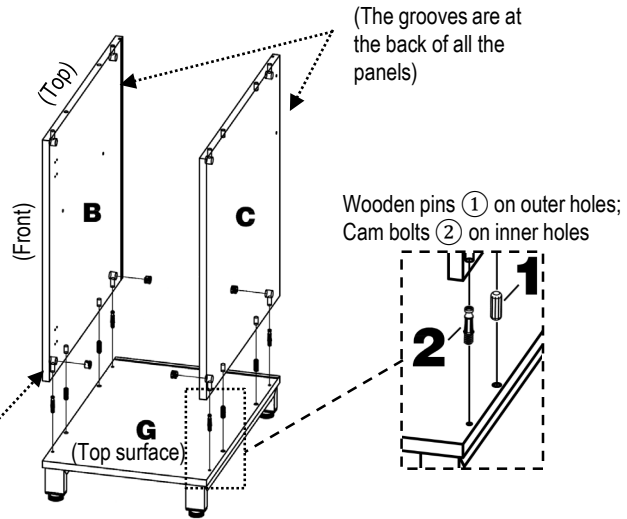


STEP 12

Assemble the side panels **(B)** and **(C)** to the second panel **(G)** using wooden pins **(1)**, cam bolts **(2)** and cam locks **(3)** just as it was explained in step 11 and in page 5.

Hardware/Tools:

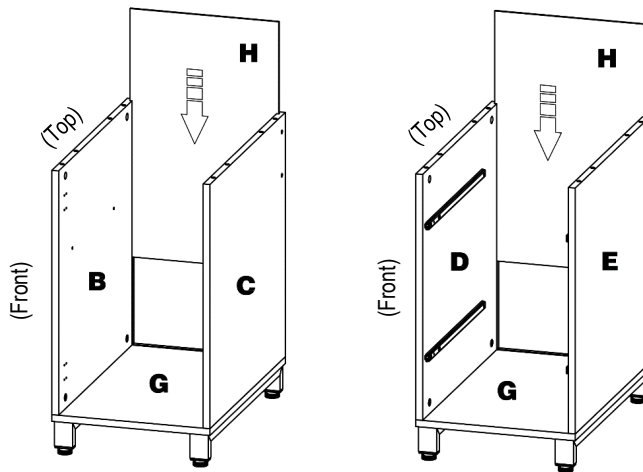
1		4 Pcs
2		4 Pcs
3		4 Pcs
 (NOT INCLUDED)		



STEP 13

Slide the back panels **(H)** through the grooves of panels **(B-C-G)** and **(D-E-G)** respectively as shown.




(This view shows the cabinets in their normal and respective positions, from the front facing to the left)



STEP 14

Assemble the cabinet top panels (F) to the side panels (B-C) and (D-E) respectively using wooden pins (1), cam bolts (2) and cam locks (3) as shown and as explained in page 5.

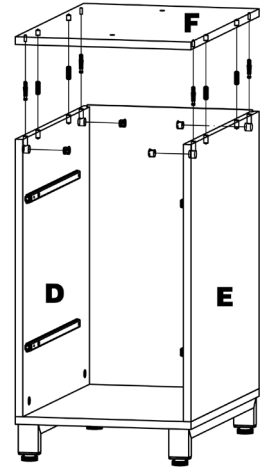
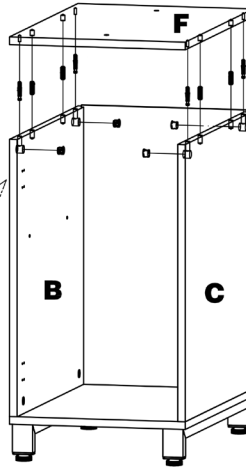
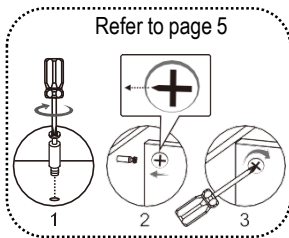
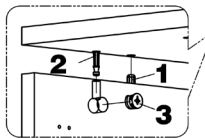
Hardware/Tools:

1		8 Pcs
2		8 Pcs
3		8 Pcs



(NOT INCLUDED)

Wooden pins (1) on inner holes;
Cam bolts (2) on outer holes



STEPS 15 THRU 24: REST OF UNIT ASSEMBLY

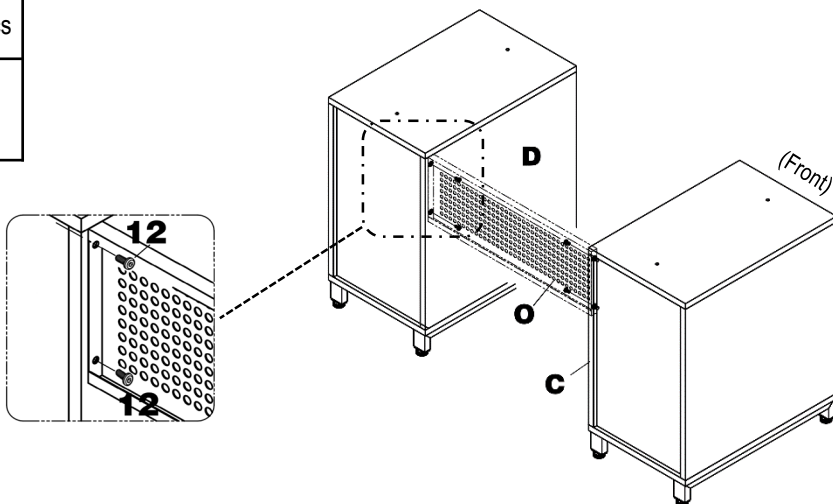
STEP 15

Assemble the metal back panel (O) to the side panels (C) and (D) using screws (13) as shown.

Hardware/Tools:

13		4 Pcs
14		



(This view shows the unit from behind)



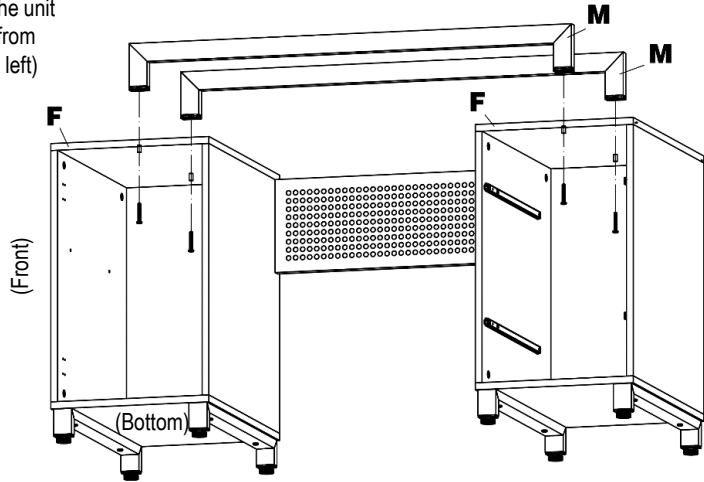
STEP 16

Assemble the top metal support frames (M) to both cabinet top panels (F) using screws (11) as shown.

Hardware/Tools:

11		4 Pcs
14		


(This view shows the unit from the front and from below facing to the left)



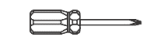
STEP 17

Assemble the hinges (R) to the left panel (B) using its own screws, but only on the oval holes (2 screws per hinge).

Hardware/Tools:

R		2 Sets
---	--	--------

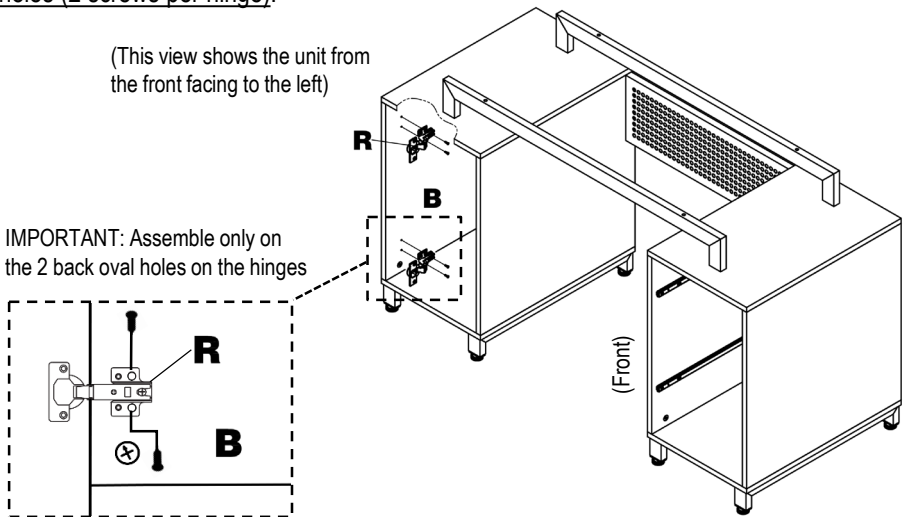
Note: You will use only 4 of the 12 screws



(NOT INCLUDED)

(This view shows the unit from the front facing to the left)


IMPORTANT: Assemble only on the 2 back oval holes on the hinges



STEP 18

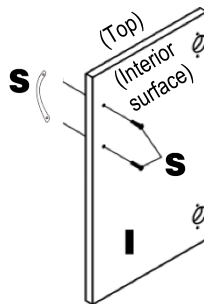
Assemble the last handle (S) to the exterior surface of the door panel (I) using its own screws.

Hardware/Tools:

S		1 Set
---	---	-------



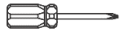
(NOT INCLUDED)



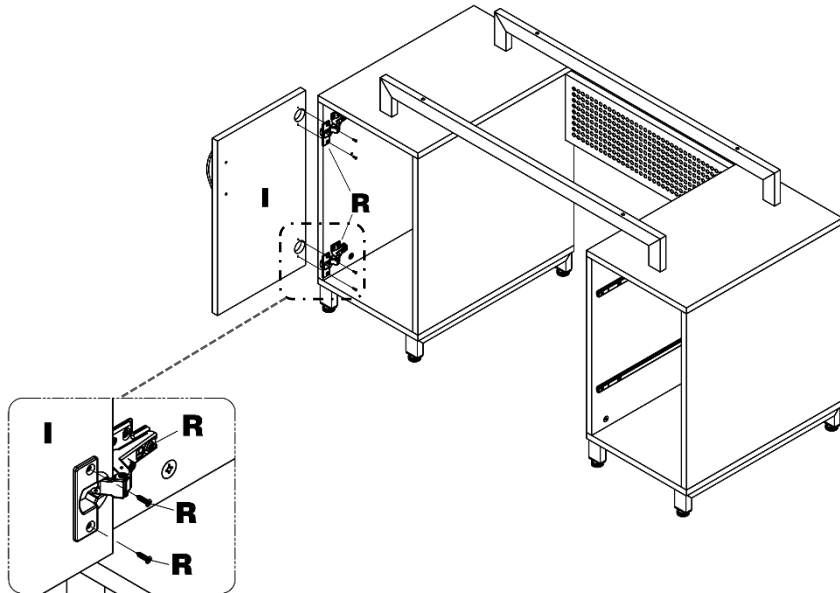
STEP 19

Assemble the door **I** to the hinges **R** using hinge screws **R** as shown.
 Note: there will be still 4 screws **R** left for step 20.

Hardware/Tools:



(NOT INCLUDED)



STEP 20

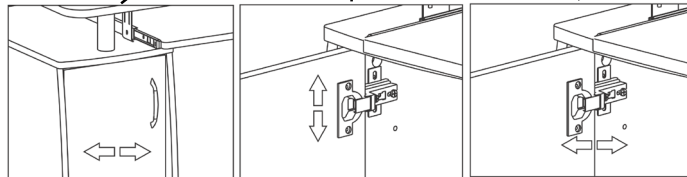
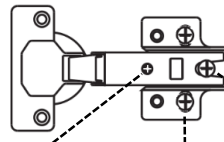
First fine-tune the hinges **R** to make the door **I** close smoothly by adjusting the screws indicated below, then secure using the last screws **R** on the 2 other holes on the hinges as shown.

Hardware/Tools:



(NOT INCLUDED)

FINE-TUNE FIRST!

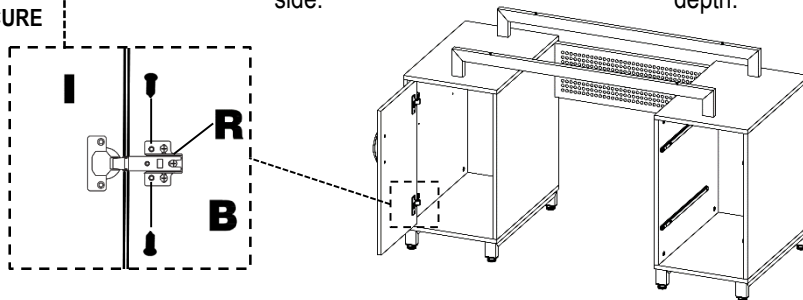


Adjusts side-to-side.

Adjusts the height.

Adjusts the depth.

THEN SECURE



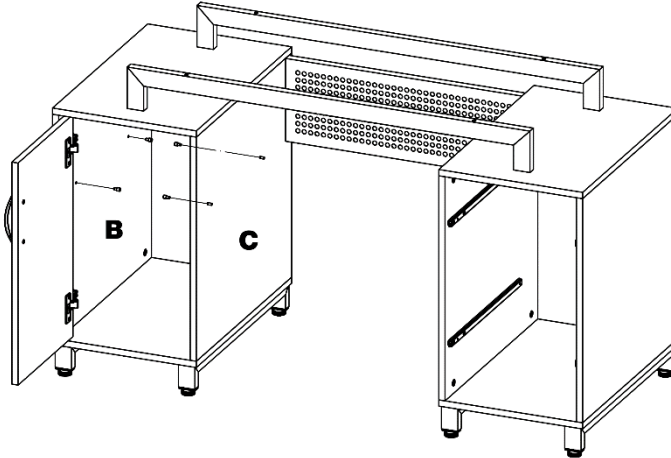
STEP 21

Hardware/Tools:

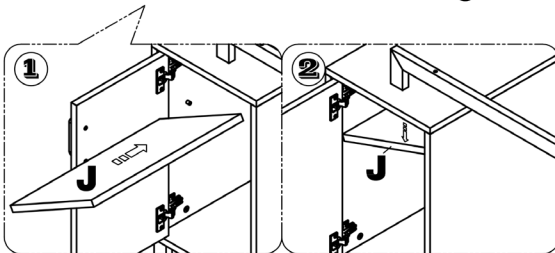
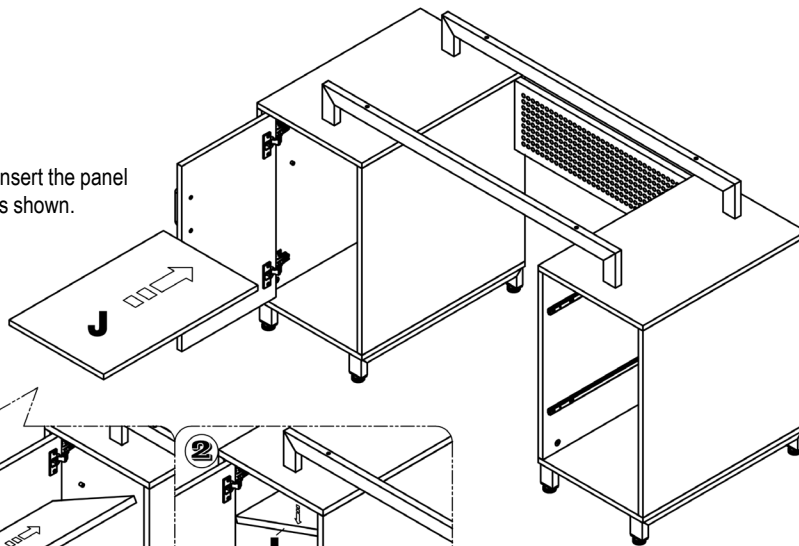
5

4
Pcs

First install the metal pins ⑤ into the sets of holes on panels B and C of the left cabinet, then insert and place the removable panel J over the pins.



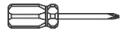
You might need to insert the panel at an angle as shown.



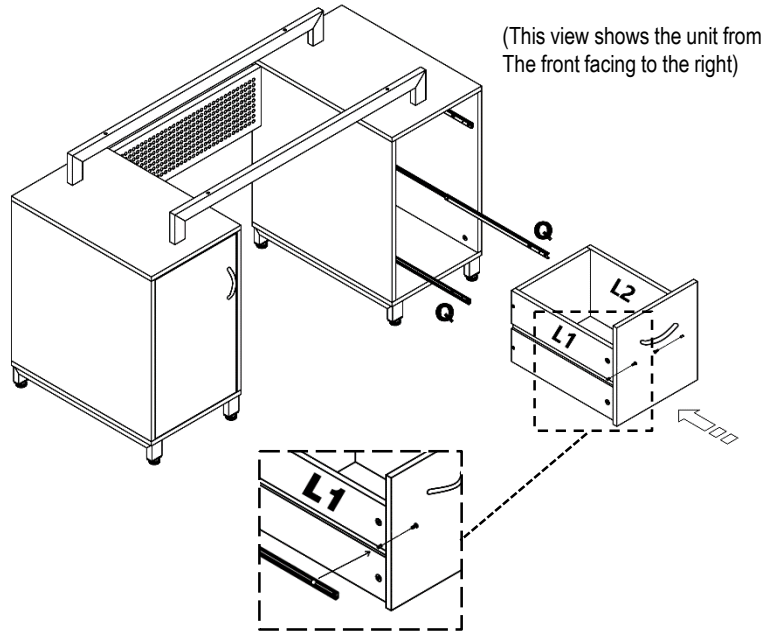
STEP 22

On the right cabinet pull out the bottom sliders **Q** and assemble the large drawer to the sliders by fitting them into the grooves on the side panels **L1** and **L2**, then secure them with screws **6** from inside the drawer as shown.

Hardware/Tools:



(NOT INCLUDED)



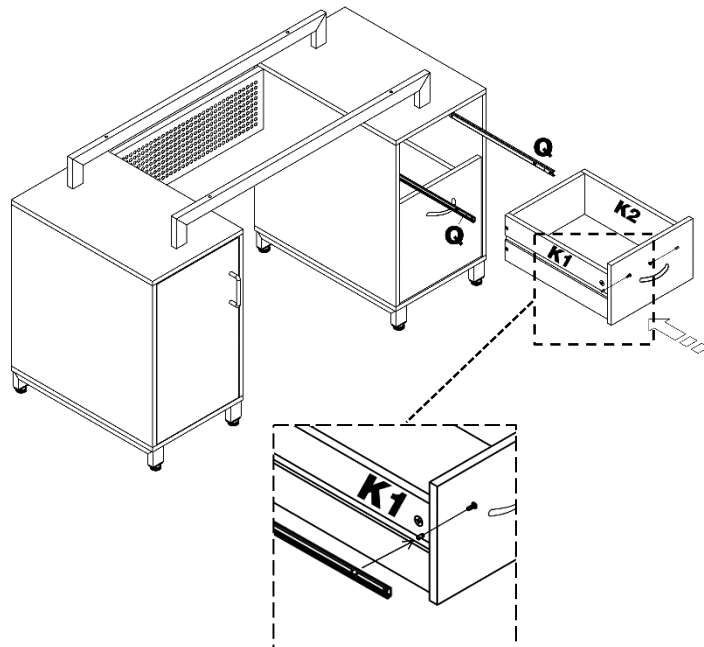
STEP 23

On the right cabinet pull out the top sliders **Q** and assemble the small drawer to the sliders by fitting them into the grooves on the side panels **K1** and **K2**, then secure them with screws **6** from inside the drawer as shown.

Hardware/Tools:



(NOT INCLUDED)



STEP 24

Hardware/Tools:

12

4
Pcs

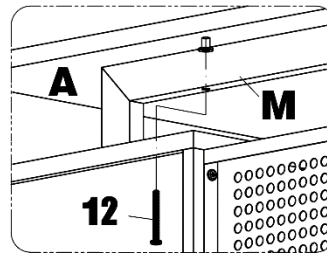
14



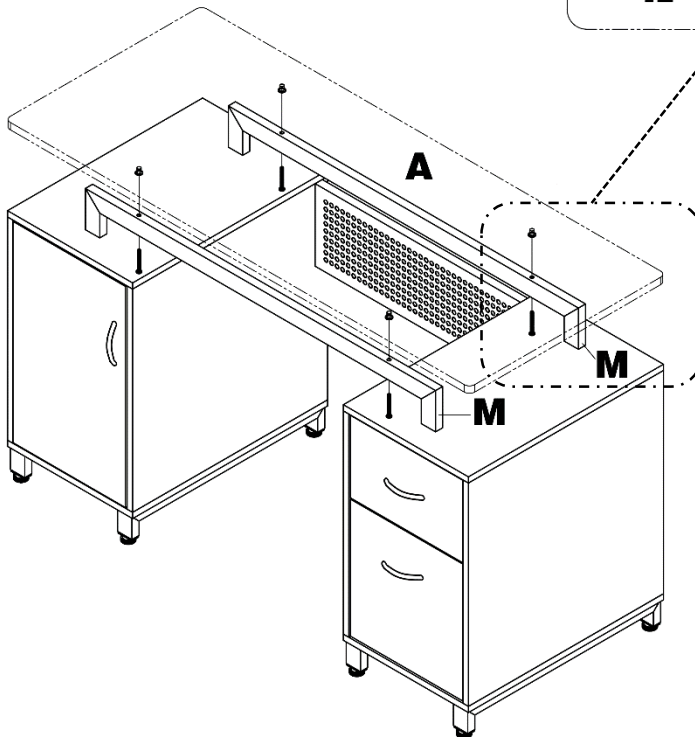
Place the main panel (A) over the top metal supports (M) making the holes coincide, and assemble the panel using screws (12) from underneath the unit as shown.

- ▣ Assembly tip: To avoid misalignments, screw loosely and tighten the screws only after all are in place.

(This view shows the unit from behind. The screws go from underneath through the metal and into the hole on the panel)



(This view shows the unit from
The front facing to the left)

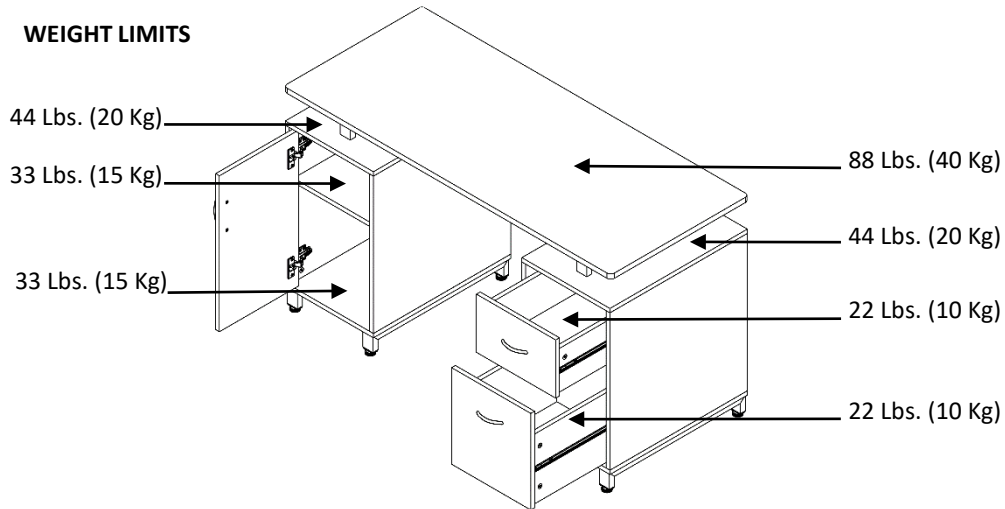


ALL DONE!

Give yourself a nice pat on the back. You did a great job!

AFTER THE ASSEMBLY IS DONE, PLEASE READ CAREFULLY THE FOLLOWING CARE AND MAINTENANCE WARNINGS:

WEIGHT LIMITS



- Do not exceed the indicated weight limits.
- Do not expose the surfaces to direct sunlight or to extreme environmental conditions.
- Clean the surfaces preferable with a clean cloth damped in a solution of mild soap and water, then dry with a clean towel.
- Do not use solvents or abrasive materials to clean the unit.
- If you decide to use a cleaning agent, test first on an area hidden from view such as underneath the tabletop.
- Do not seat on the unit or lean against it.
- Do not allow small children to play under or over the unit, or inside the left cabinet.
- Do not allow small children to reach inside the drawers or left cabinet without your supervision.
- Do not drag the unit to move it around, it must be handled by at least 2 persons.
- Before moving the unit, make sure to remove any object that is heavy or might fall off.
- When lifting the unit, use both hands and bend your knees, not your backs.
- When transporting the unit to places far away, protect and secure the unit to avoid damage in transit.
- Shall any part of the unit become defective during the warranty period, replacement parts might be available to you at no charge. Please refer to the WARRANTY card included with the product.
- The warranty does not extend to regular wear and tear, nor the manufacturer assumes liability for damages or consequences due to accidents, incorrect assembly, negligence, improper use, modifications, or not heeding the above warnings.
- The warranty is limited to the continental United States. If you reside in Hawaii, Puerto Rico, U.S. Dependencies or other countries, please contact the supplier from where the unit was purchased.

TECHNI MOBILI WARRANTY
DESKS/LAPTOP CARTS/FILE CABINETS: LIMITED 5-YEAR WARRANTY
TV Stand/Entertainment Center: 2 YEAR WARRANTY

RTA Products, LLC warrants to the Original Purchaser who acquired a new product from RTA Products or its authorized resellers that this product will be free from defects in its workmanship and materials, under normal use and service conditions, as described herein. "Defects" as used in this warranty, is defined as any imperfections that impair the use of the furniture or product. RTA Products LLC will replace any defective part, at its discretion, and without charge to the original purchaser other than the freight from the end consumer to RTA Products.

Replacement parts can only be supplied if parts are available. Items out of production may be unavailable. This warranty will be effective for the applicable time period beginning the date of purchase on your original sales receipt. RTA product's obligation under this warranty is limited to repairing or replacing products or parts as provided herein. This product has been designed for and is intended for office and home-office use only. This warranty is Original Purchaser's sole remedy for product defects, and this warranty does not extend to any product, or damage to any product, caused by or attributed to abuse or misuse, products used for commercial or rental purposes, use modifications of, or attachments to the product, and products or parts not used, maintained, or extended hereunder is in lieu of any and all other warranties, express or implied, including without limitations any implied warranty or merchantability or of fitness for a particular purpose. Please note, all desks made with PVC Laminate surface should not be exposed to direct sunlight, as it may damage the material. Damage of this nature is not covered under this warranty.

RTA Products will not be responsible for indirect, special, incidental or consequential damages. This warranty is limited to merchandise purchased in the Continental United States. Some States do not allow the exclusion or limitation of incidental or consequential damages, so the above limitations or exclusions may not apply to you. This warranty gives you specific legal rights. You may also have other rights that may vary from state to state.

RTA Products will advise you of the procedure to follow in making warranty claims. The following are the procedures for warranty claims:

- a. Call us Monday – Friday, from 9am-5pm (Eastern Time) at (866) 782-5520 to explain the defect and give your name, address and phone number. Please have ready the model number of our product, date and place of purchase. You can also write to us by e-mail to warranty@rtaproducts.com and include the same information.
- b. b. If we determine that replacement will remedy the situation, and in order to determine the extent or the cause of the defect, purchaser will need to send the part in question at purchaser's expense. Once we receive the part, we will examine it and determine whether the claim is valid (or not), and then proceed to send the replacement. We will ship the replacement at our expense.

FOR SEVERAL HELP OPTIONS INCLUDING REPLACEMENT PARTS ORDERS

VISIT: WWW.TECHNIMOBILI.COM



CLICK ON SUPPORT TAB



Scan QR Code to order replacement parts

OR EMAIL US: SUPPORT@RTAPRODUCTS.COM